



US00D944209S

(12) **United States Design Patent**  
**Herron et al.**

(10) **Patent No.:** **US D944,209 S**

(45) **Date of Patent:** **\*\* Feb. 22, 2022**

(54) **VEHICLE INTERFACE DEVICE**

(71) Applicant: **Opus IVS, Inc.**, Ann Arbor, MI (US)

(72) Inventors: **Brian J. Herron**, Dexter, MI (US);  
**Richard J. Mold**, Exeter (GB); **Mark W. Wine**, Ann Arbor, MI (US); **Keith M. Michalowski**, Ypsilanti, MI (US)

(73) Assignee: **Opus IVS, Inc.**, Ann Arbor, MI (US)

(\*\*) Term: **15 Years**

(21) Appl. No.: **29/746,909**

(22) Filed: **Aug. 18, 2020**

(51) **LOC (13) Cl.** ..... **13-03**

(52) **U.S. Cl.**  
USPC ..... **D13/147; D12/400**

(58) **Field of Classification Search**  
USPC ..... D13/101, 110, 118, 133, 146, 147, 154,  
D13/184, 199; D14/155, 348, 353, 357;  
D12/174, 400; D10/70, 75, 78  
CPC ..... H01R 13/66; H01R 13/74; H01R 13/627;  
H01R 13/629; H01R 13/639; H01R  
13/6272; H01R 24/68; H02J 7/0042  
See application file for complete search history.

(56) **References Cited**

**U.S. PATENT DOCUMENTS**

D515,036 S \* 2/2006 Liang ..... D13/147  
D624,502 S \* 9/2010 Ayers ..... D13/147  
D720,698 S \* 1/2015 Zerebilov ..... D13/147  
D806,040 S \* 12/2017 Morris ..... D13/147  
D825,568 S \* 8/2018 Morris ..... D14/433

D826,864 S \* 8/2018 Hoffart ..... D13/147  
D865,639 S \* 11/2019 Adams, III ..... D12/400  
2016/0226189 A1\* 8/2016 Simonazzi ..... H01R 13/6275

\* cited by examiner

*Primary Examiner* — Derrick E Holland

(74) *Attorney, Agent, or Firm* — Gardner, Linn, Burkhardt & Ondersma LLP

(57) **CLAIM**

The ornamental design for a vehicle interface device, as shown and described.

**DESCRIPTION**

FIG. 1 is a rear perspective view of a vehicle interface device showing the design in an environmental use;

FIG. 2 is a rear perspective view of the vehicle interface device of FIG. 1;

FIG. 3 is a front perspective view of the vehicle interface device of FIG. 1;

FIG. 4 is a top view of the vehicle interface device of FIG. 1;

FIG. 5 is a bottom view of the vehicle interface device of FIG. 1;

FIG. 6 is a left side view of the vehicle interface device of FIG. 1;

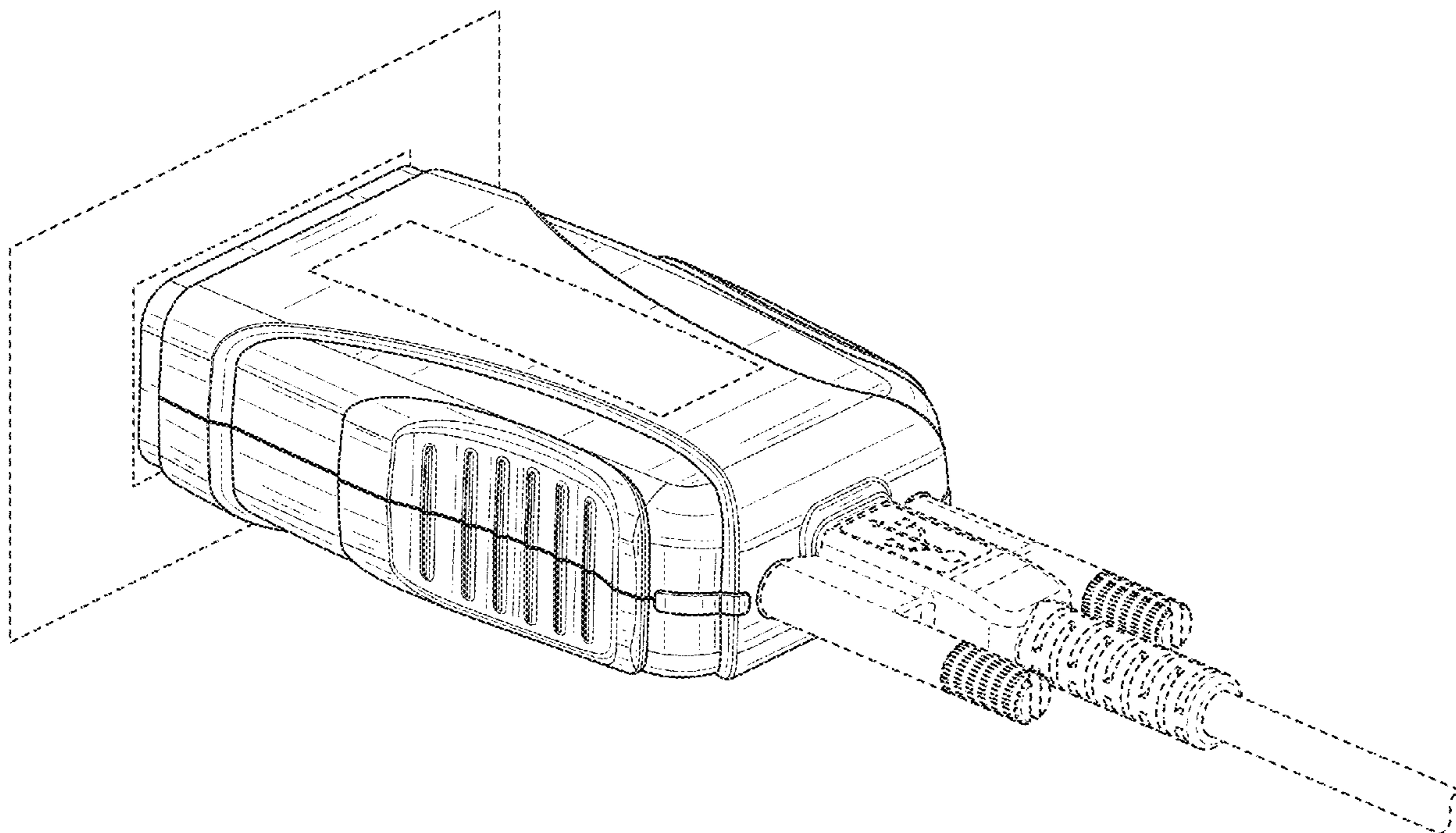
FIG. 7 is a right side view of the vehicle interface device of FIG. 1;

FIG. 8 is a front view of the vehicle interface device of FIG. 1; and,

FIG. 9 is a rear view of the vehicle interface device of FIG. 1.

The broken lines in the drawings are for the purpose of illustrating portions of the vehicle interface device that form no part of the claimed design.

**1 Claim, 9 Drawing Sheets**



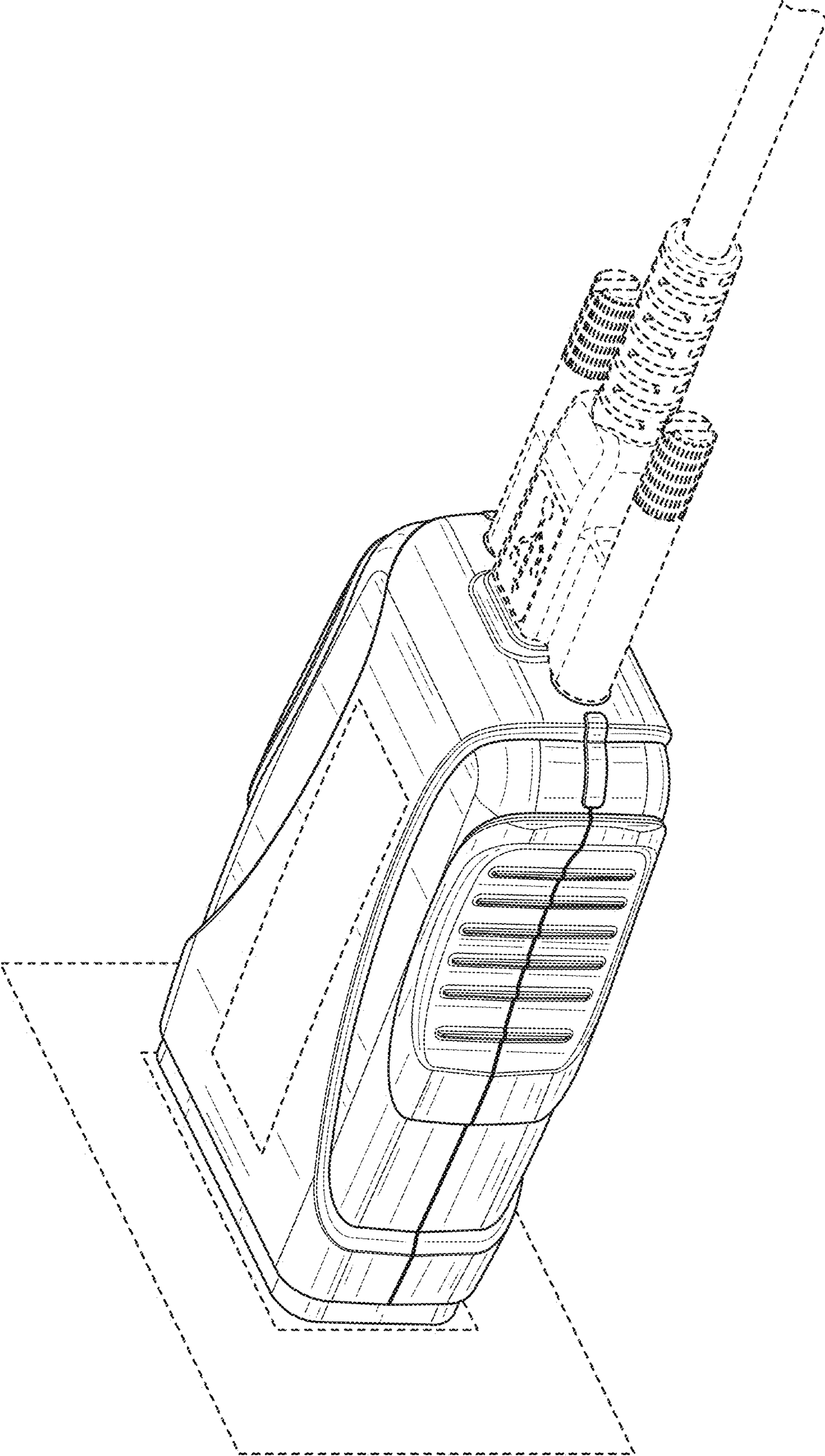


FIG. 1

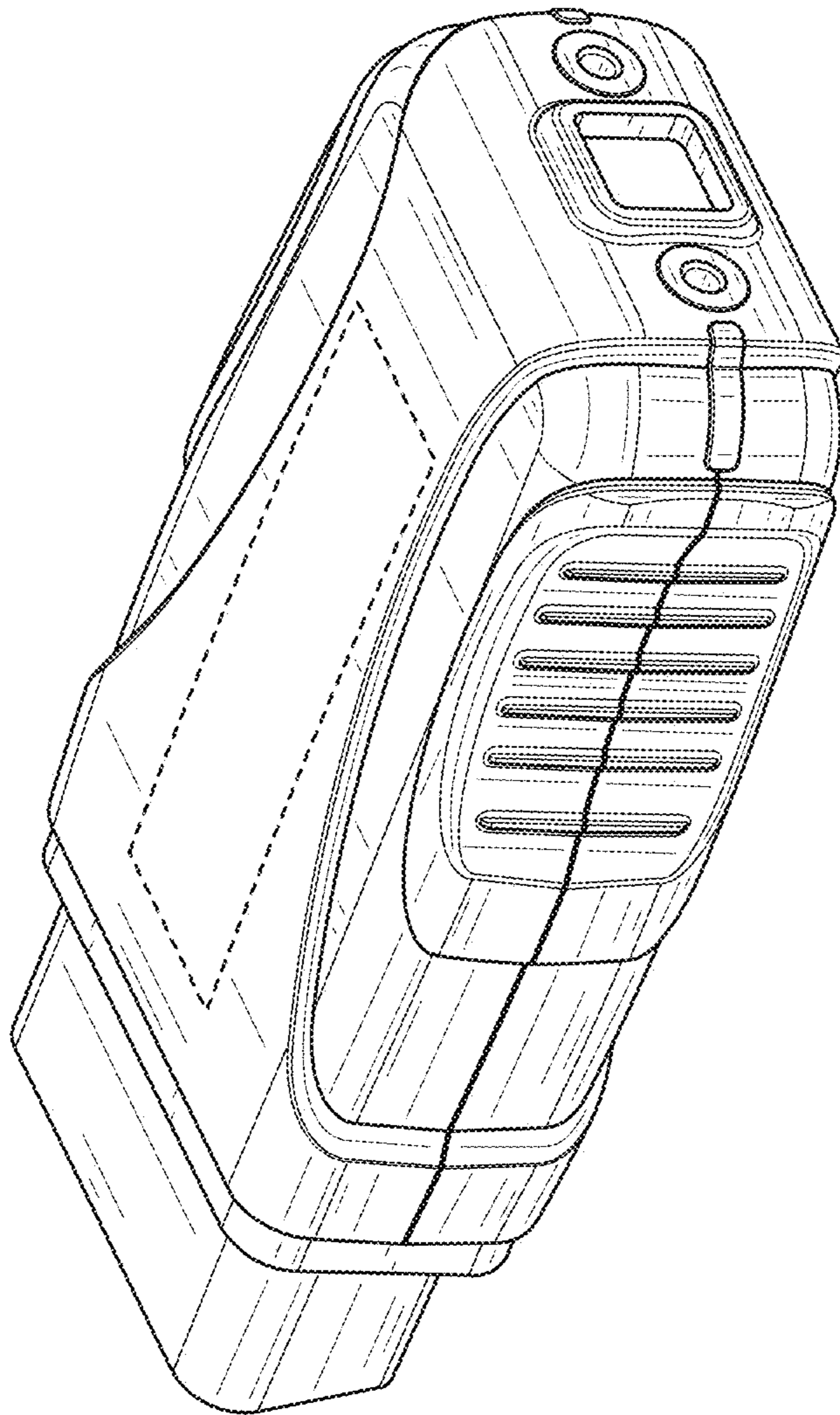


FIG. 2

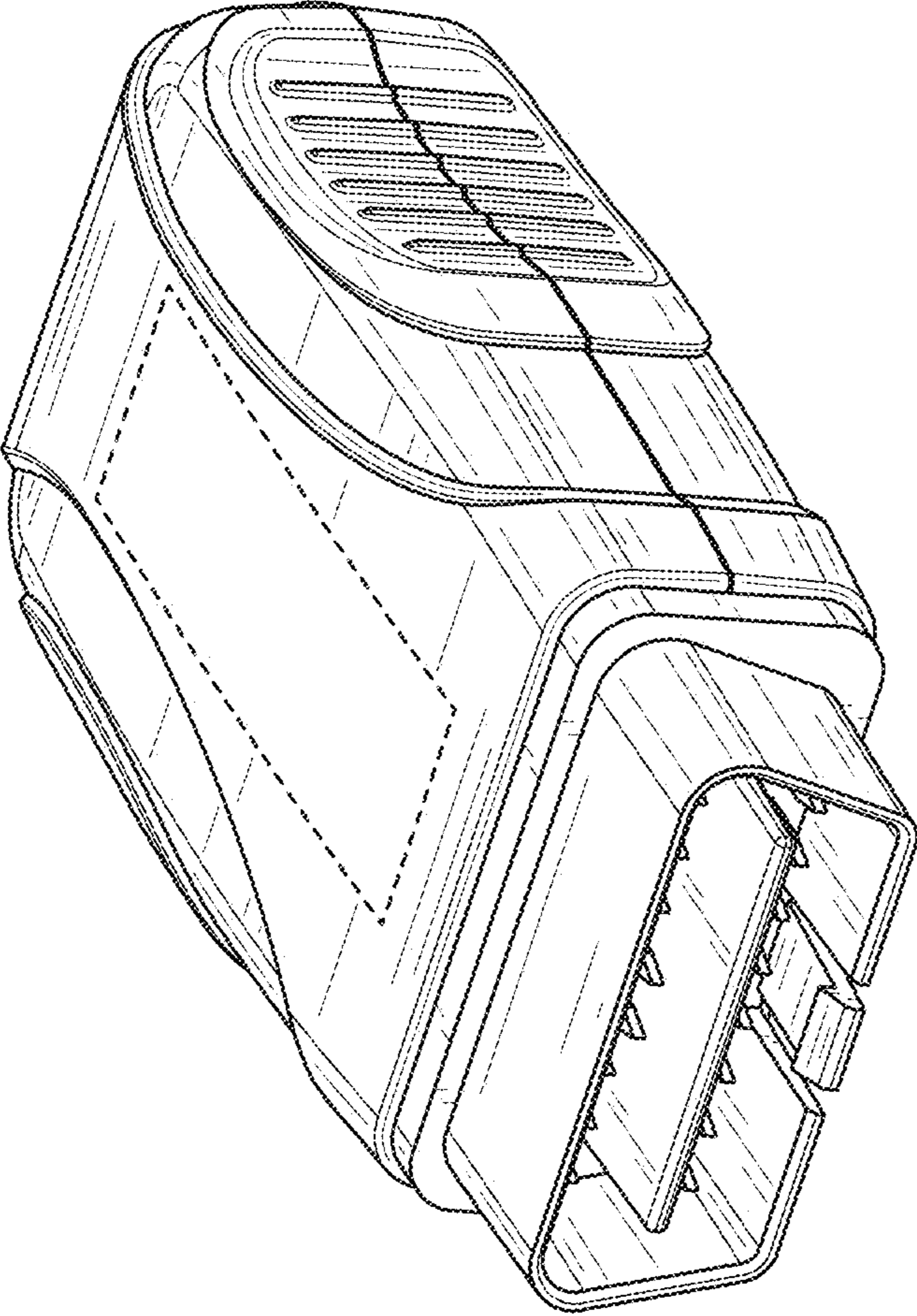


FIG. 3

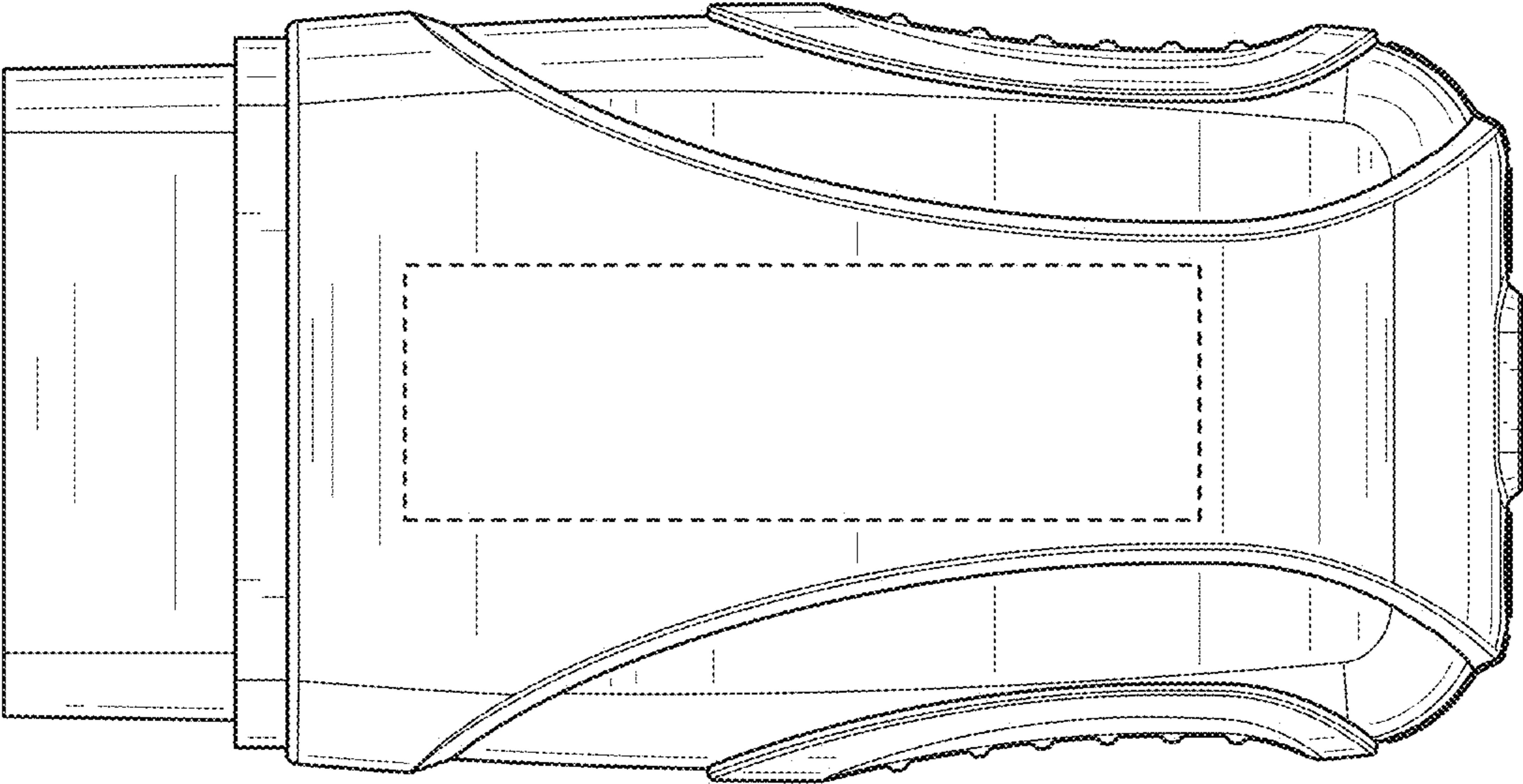


FIG. 4

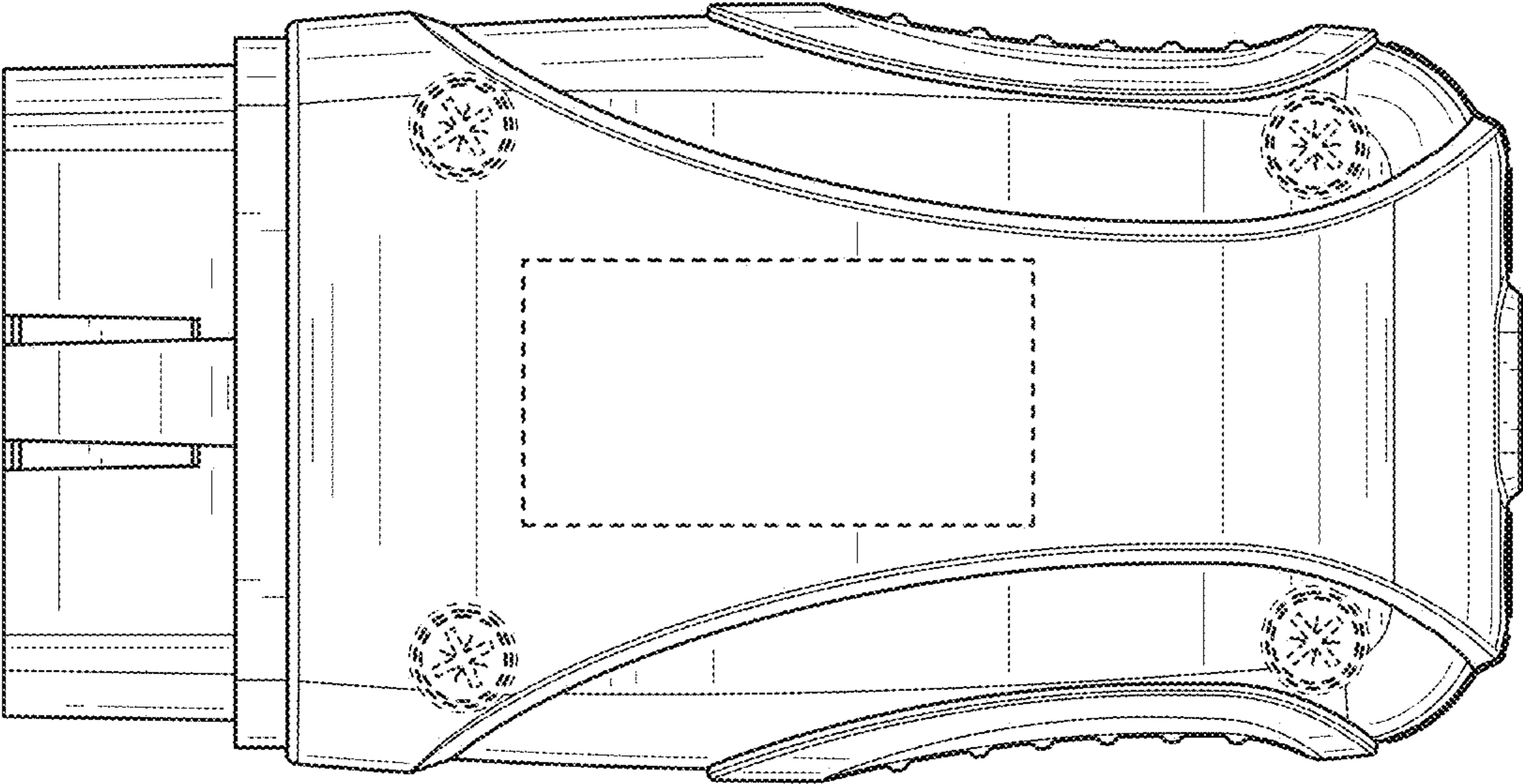


FIG. 5

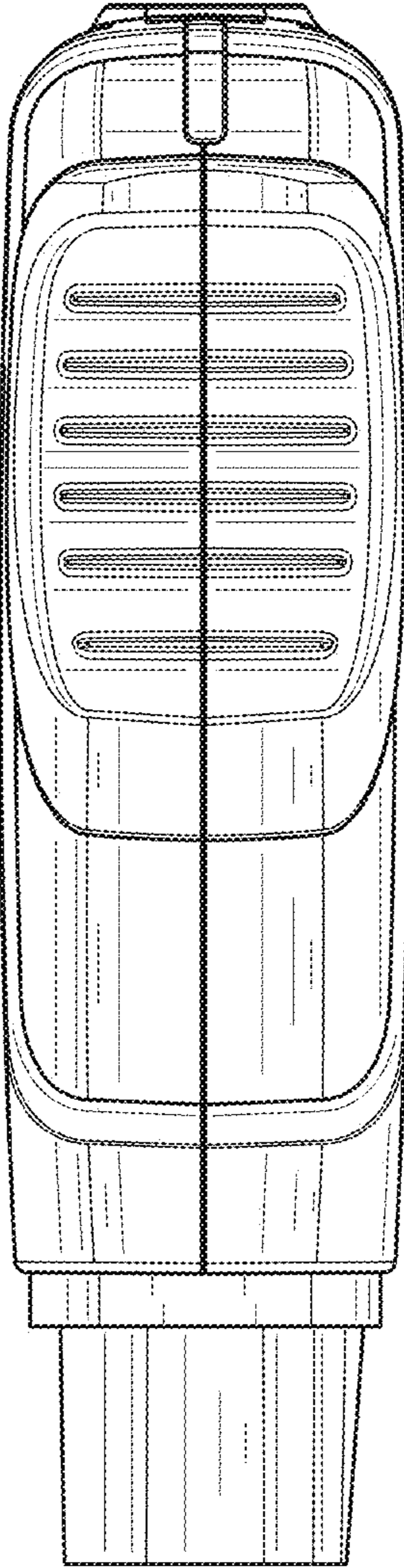


FIG. 6

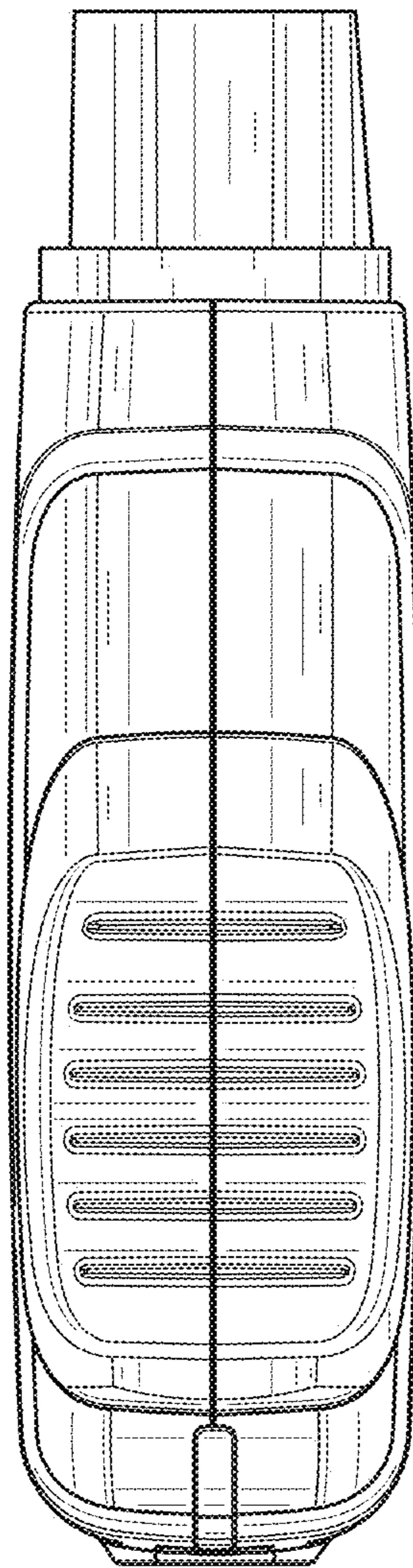


FIG. 7



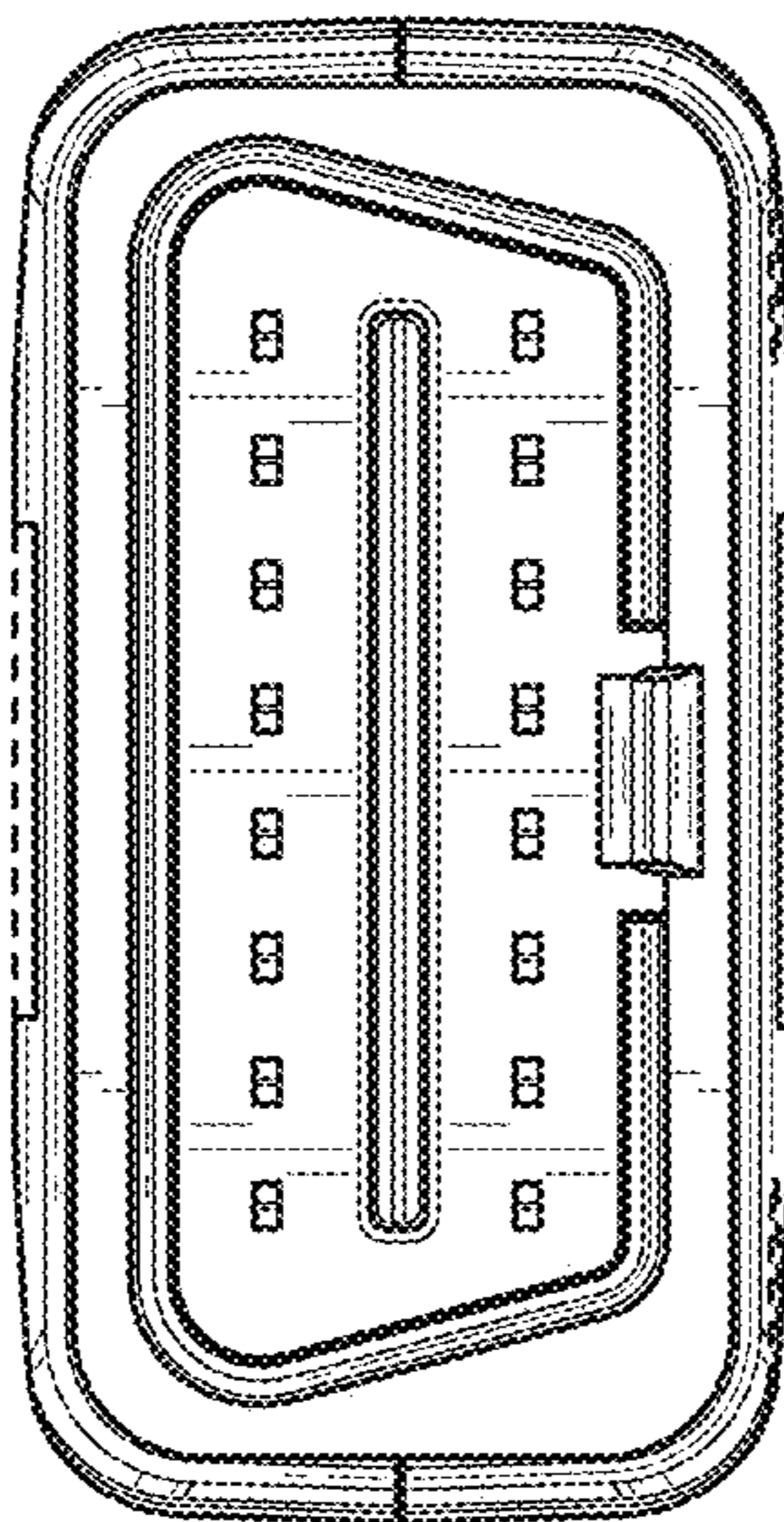


FIG. 8

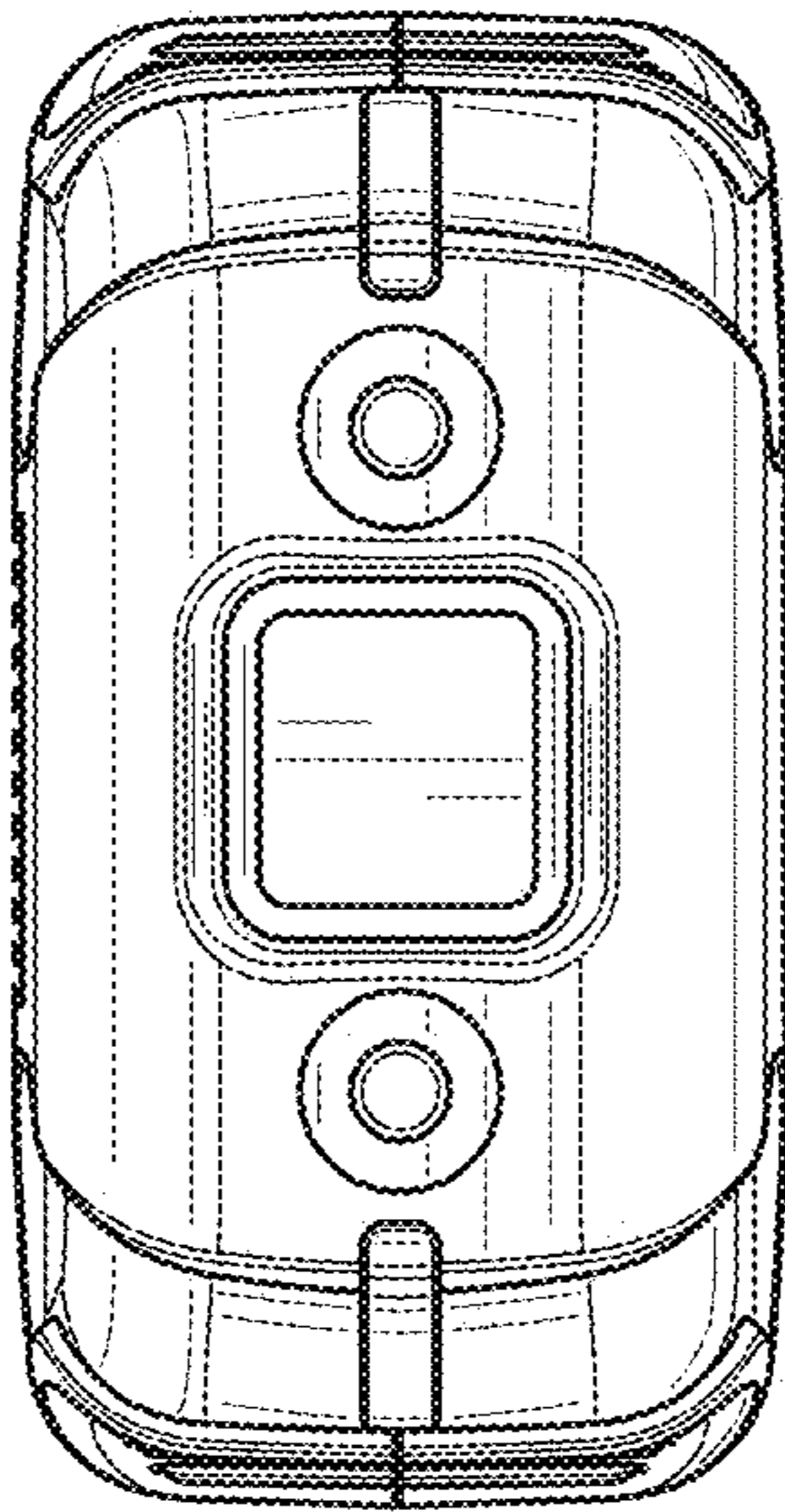


FIG. 9