

US00D944207S

(12) **United States Design Patent** (10) **Patent No.:** **US D944,207 S**  
**Lin** (45) **Date of Patent:** **\*\* Feb. 22, 2022**

(54) **SURGE PROTECTOR**  
(71) Applicant: **Huizhou Jishunkang Industrial Co., Ltd.**, Huizhou (CN)  
(72) Inventor: **Weishu Lin**, Huizhou (CN)  
(73) Assignee: **Huizhou Jishunkang Industrial Co., Ltd.**, Huizhou (CN)  
(\*\*) Term: **15 Years**  
(21) Appl. No.: **29/675,926**  
(22) Filed: **Jan. 7, 2019**  
(51) **LOC (13) Cl.** ..... **13-03**  
(52) **U.S. Cl.**  
USPC ..... **D13/137.2**  
(58) **Field of Classification Search**  
USPC ..... D13/107, 108, 110, 133, 137.1, 137.2, D13/137.3, 137.4, 138.1, 138.2, 139.1, D13/139.2, 139.3, 139.4, 139.6, 139.7, D13/139.8, 146, 154, 156, 158, 177, 184, D13/199; D14/432, 433  
CPC ..... H01R 13/46; H01R 24/76; H01R 13/44  
See application file for complete search history.

(56) **References Cited**

**U.S. PATENT DOCUMENTS**

D636,728 S \* 4/2011 Terleski ..... D13/139.4  
D693,305 S \* 11/2013 Kuo ..... D13/137.2  
D698,728 S \* 2/2014 Chen ..... D13/137.2  
D807,828 S \* 1/2018 Xu ..... D13/137.2  
D814,420 S \* 4/2018 Chen ..... D13/137.2  
D856,934 S \* 8/2019 Levy ..... D13/137.2  
D858,448 S \* 9/2019 Zhou ..... D13/137.4  
D871,342 S \* 12/2019 Liu ..... D13/137.2  
D879,034 S \* 3/2020 Wu ..... D13/108  
10,594,096 B2 \* 3/2020 Rahner ..... H01R 25/003

2002/0185295 A1\* 12/2002 Metcalf ..... A47B 21/06  
174/53  
2009/0156061 A1\* 6/2009 Bernstein ..... H01R 24/22  
439/652  
2014/0326726 A1\* 11/2014 Byrne ..... H02G 3/14  
220/241

**FOREIGN PATENT DOCUMENTS**

CN 201730544893 \* 3/2018

**OTHER PUBLICATIONS**

“Jackyled Power Strip”. Found online Jun. 9, 2020 at amazon.com. Reference dated Sep. 5, 2018. Retrieved from https://www.amazon.com/Wireless-Port-JACKYLED-Lightweight-Charging-Compatible/dp/B07H3Q7X77/ref=psdc\_2407761011\_t4\_B07QNHJC67. (Year: 2018).\*

(Continued)

*Primary Examiner* — Kendra Leslie Hamilton  
*Assistant Examiner* — Amanda Christensen

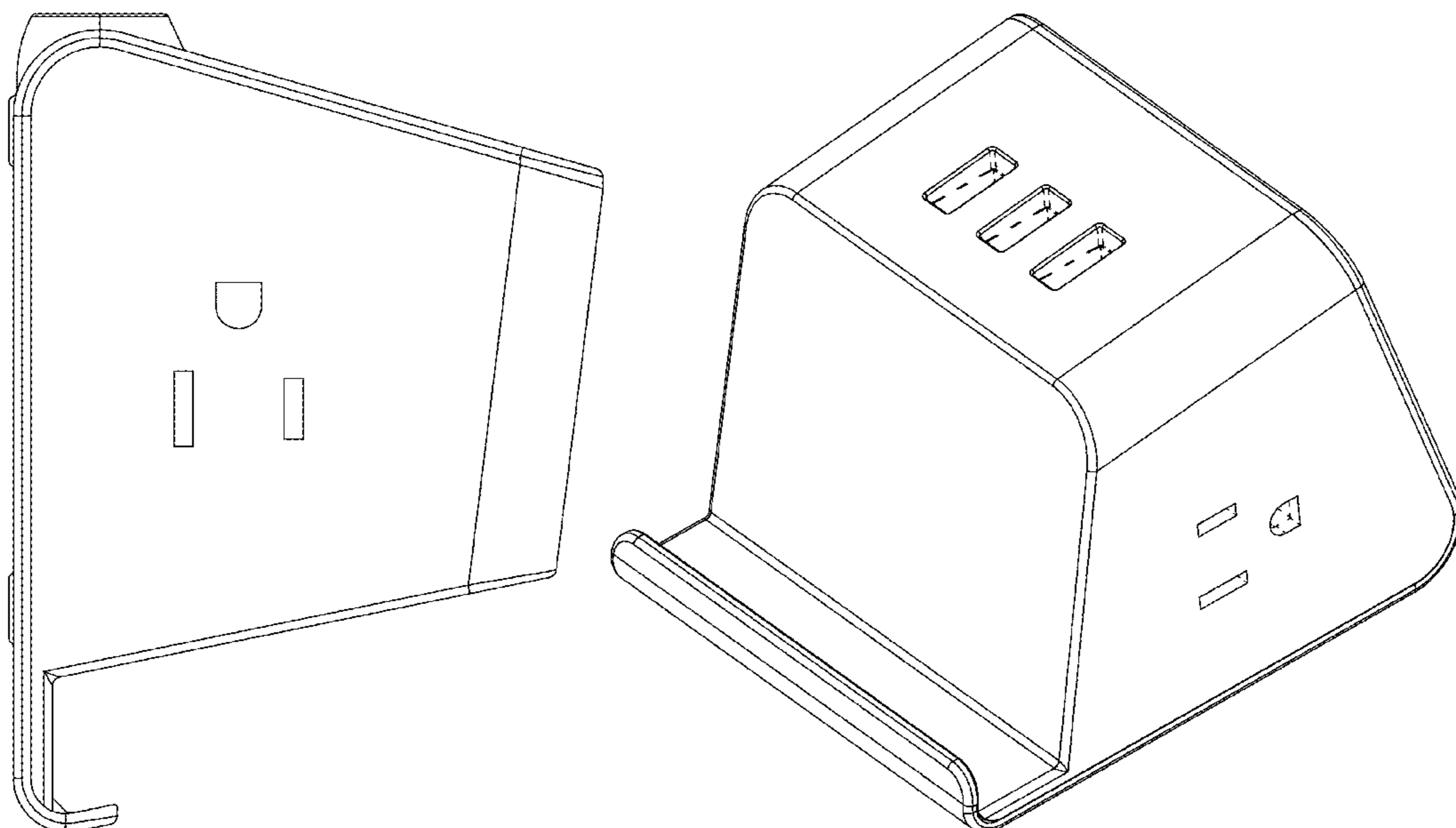
(57) **CLAIM**

The ornamental design for a surge protector, as shown and described.

**DESCRIPTION**

FIG. 1 is a front elevation view of a surge protector showing my new design;  
FIG. 2 is a rear elevation view thereof;  
FIG. 3 is a left side elevational view thereof;  
FIG. 4 is a right side elevational view thereof;  
FIG. 5 is a top plan view thereof;  
FIG. 6 is a bottom plan view thereof;  
FIG. 7 is a bottom, front, right side perspective view thereof; and,  
FIG. 8 is a top, front, right side perspective view thereof.  
The broken lines in the figures depict portions of the surge protector that form no part of the claimed design.

**1 Claim, 8 Drawing Sheets**



(56)

**References Cited**

OTHER PUBLICATIONS

“BESTEK Charging Station”. Found online Jun. 8, 2020 at amazon.com. Reference dated Feb. 21, 2015. Retrieved from [https://www.amazon.com/BESTEK-Charging-Station-2-Outlet-Protector/dp/B00W4WWCFI/ref=sr\\_1\\_54](https://www.amazon.com/BESTEK-Charging-Station-2-Outlet-Protector/dp/B00W4WWCFI/ref=sr_1_54). (Year: 2018).\*

“KPSTEK Power Strip”. Found online Jun. 8, 2020 at amazon.com. Reference dated Aug. 24, 2018. Retrieved from [https://www.amazon.com/Power-Strip-USB-Outlet-KPSTEK/dp/B07GT1MKNR/ref=sr\\_1\\_47](https://www.amazon.com/Power-Strip-USB-Outlet-KPSTEK/dp/B07GT1MKNR/ref=sr_1_47). (Year: 2018).\*

“PowerA Charging Stand”. Found online Jun. 9, 2020 at amazon.com. Reference dated Nov. 30, 2016. Retrieved from <https://www.amazon.com/PowerA-Charging-Stand-Xbox-One-White/dp/B01N8XUNC9>. (Year: 2016).\*

\* cited by examiner

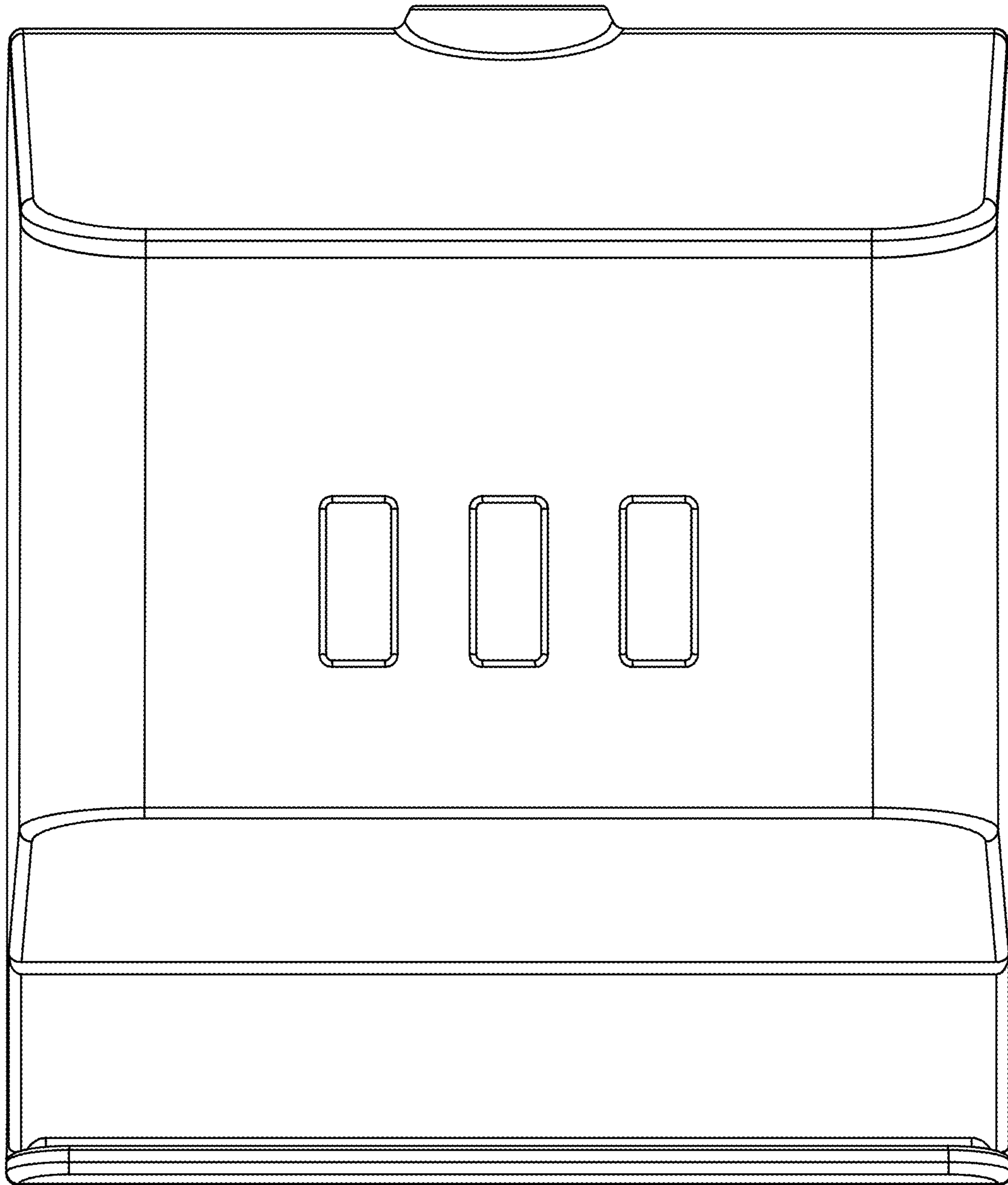


FIG. 1

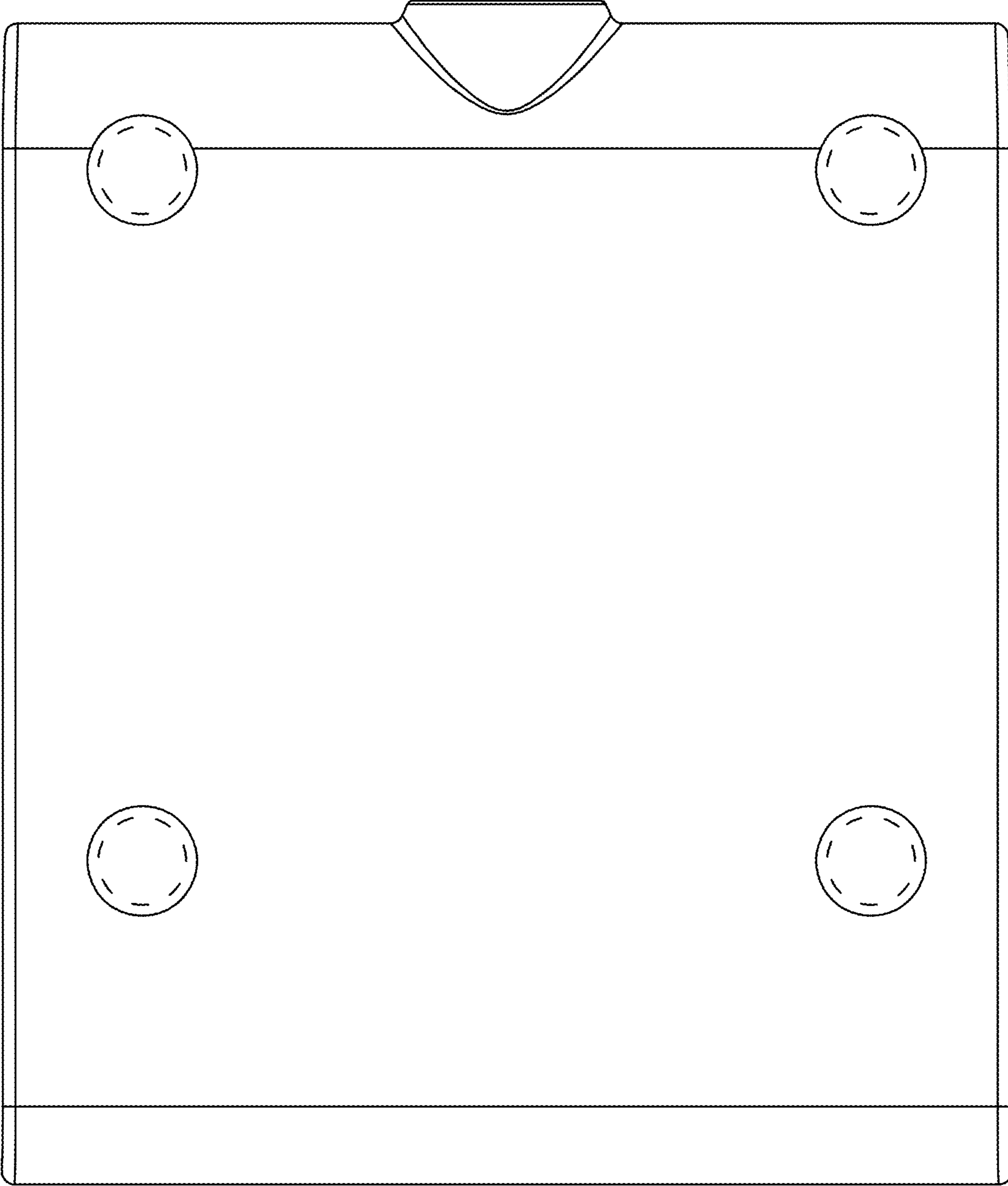


FIG. 2

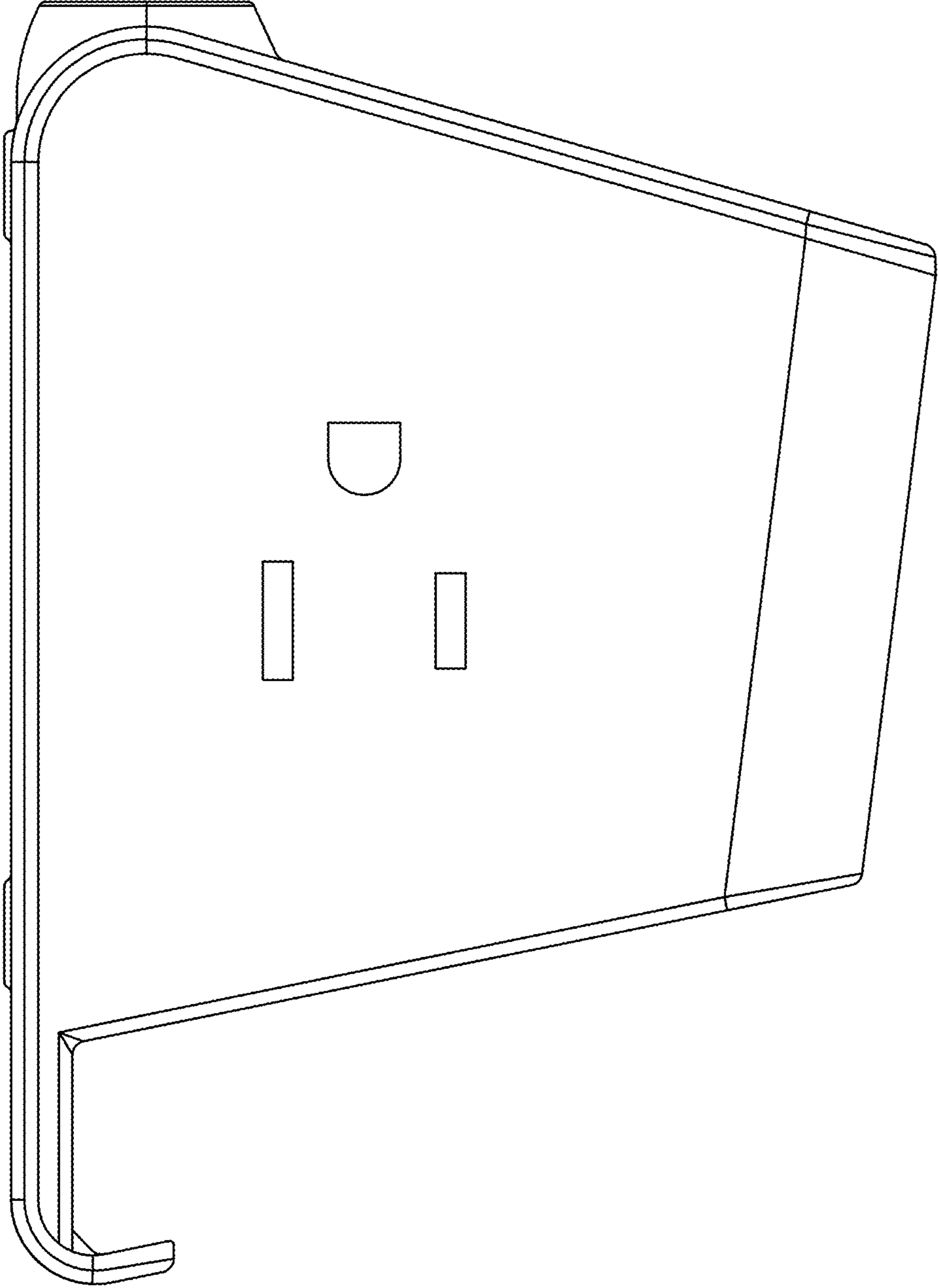


FIG. 3

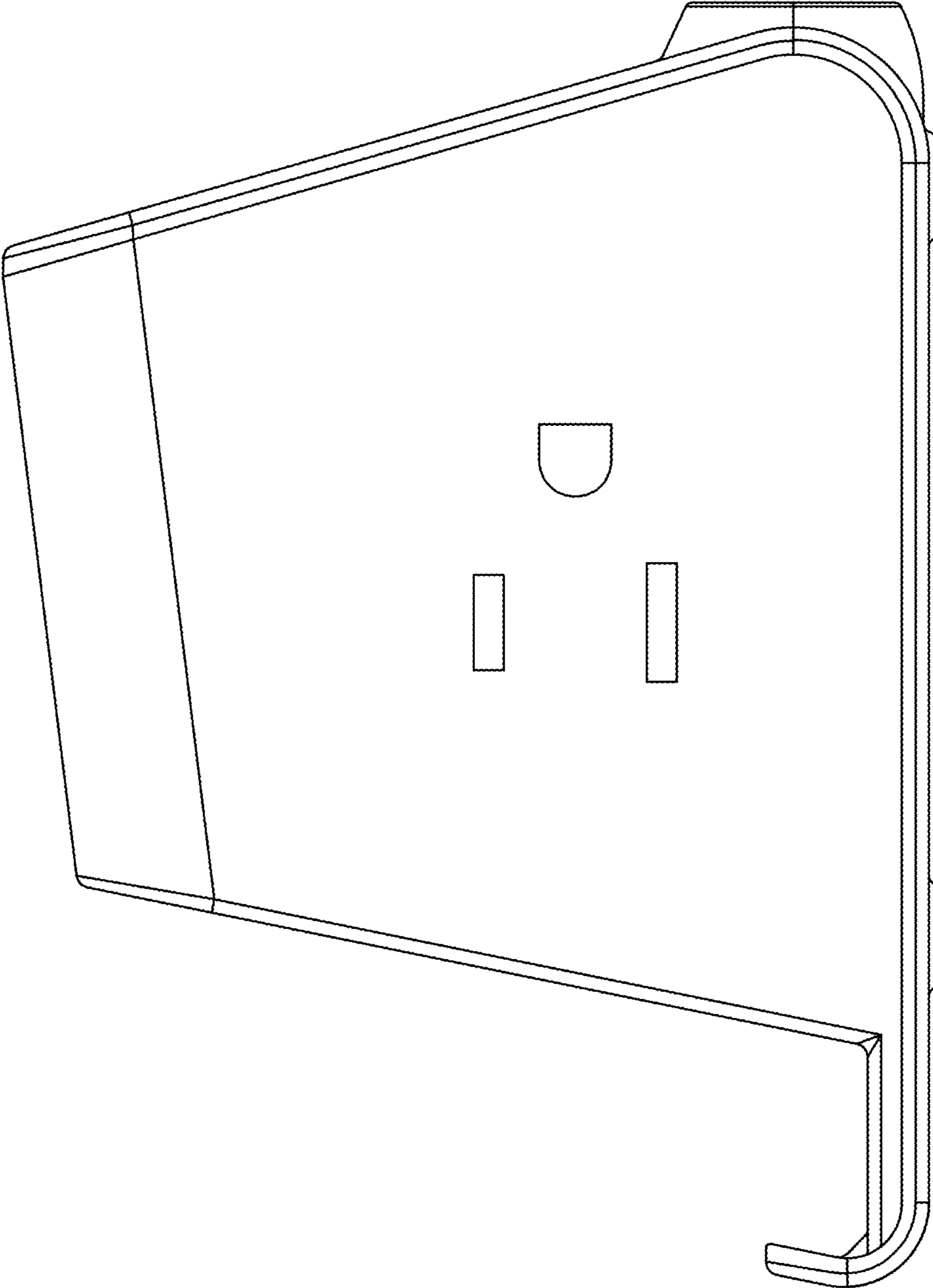


FIG. 4

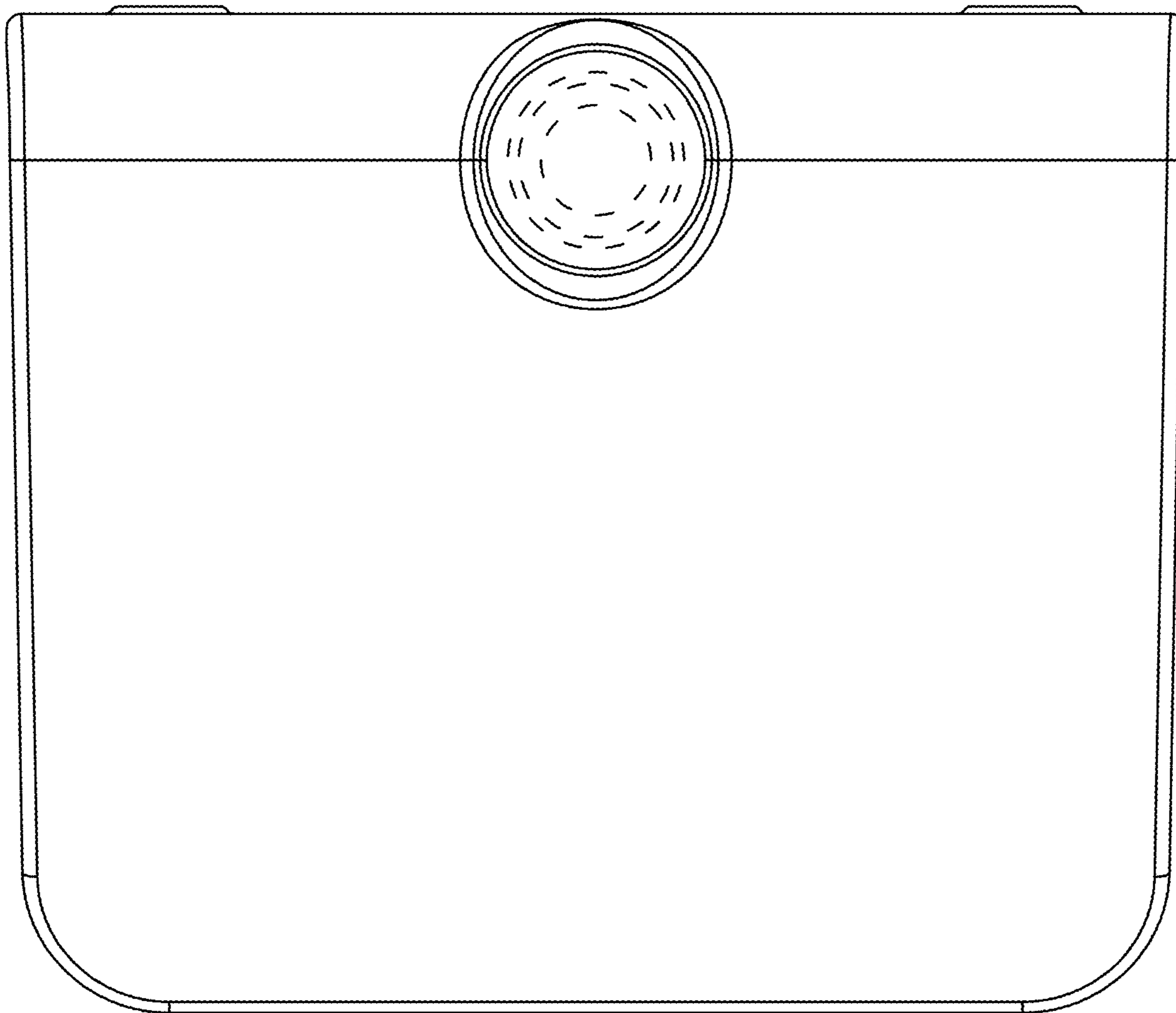


FIG. 5



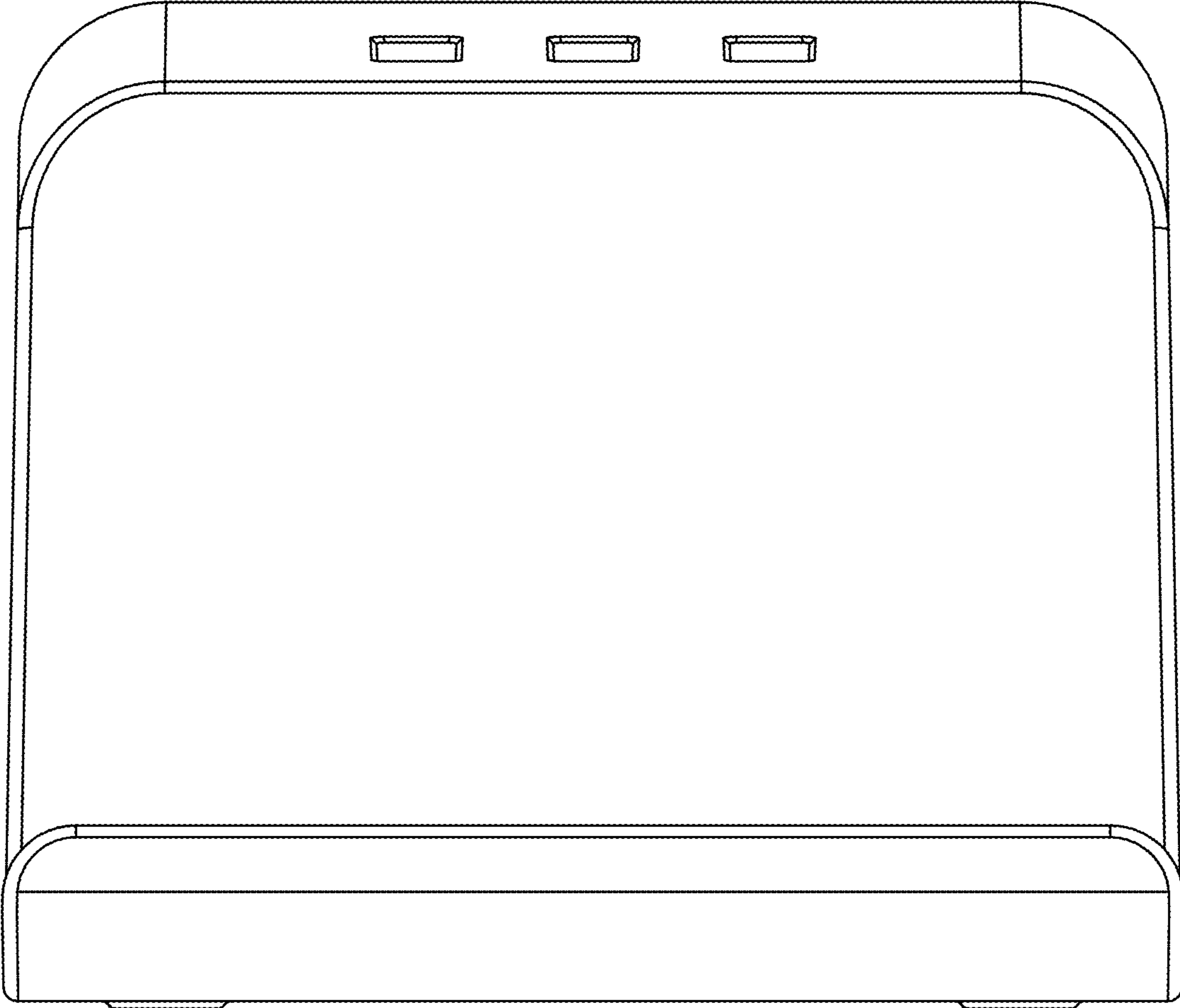


FIG. 6



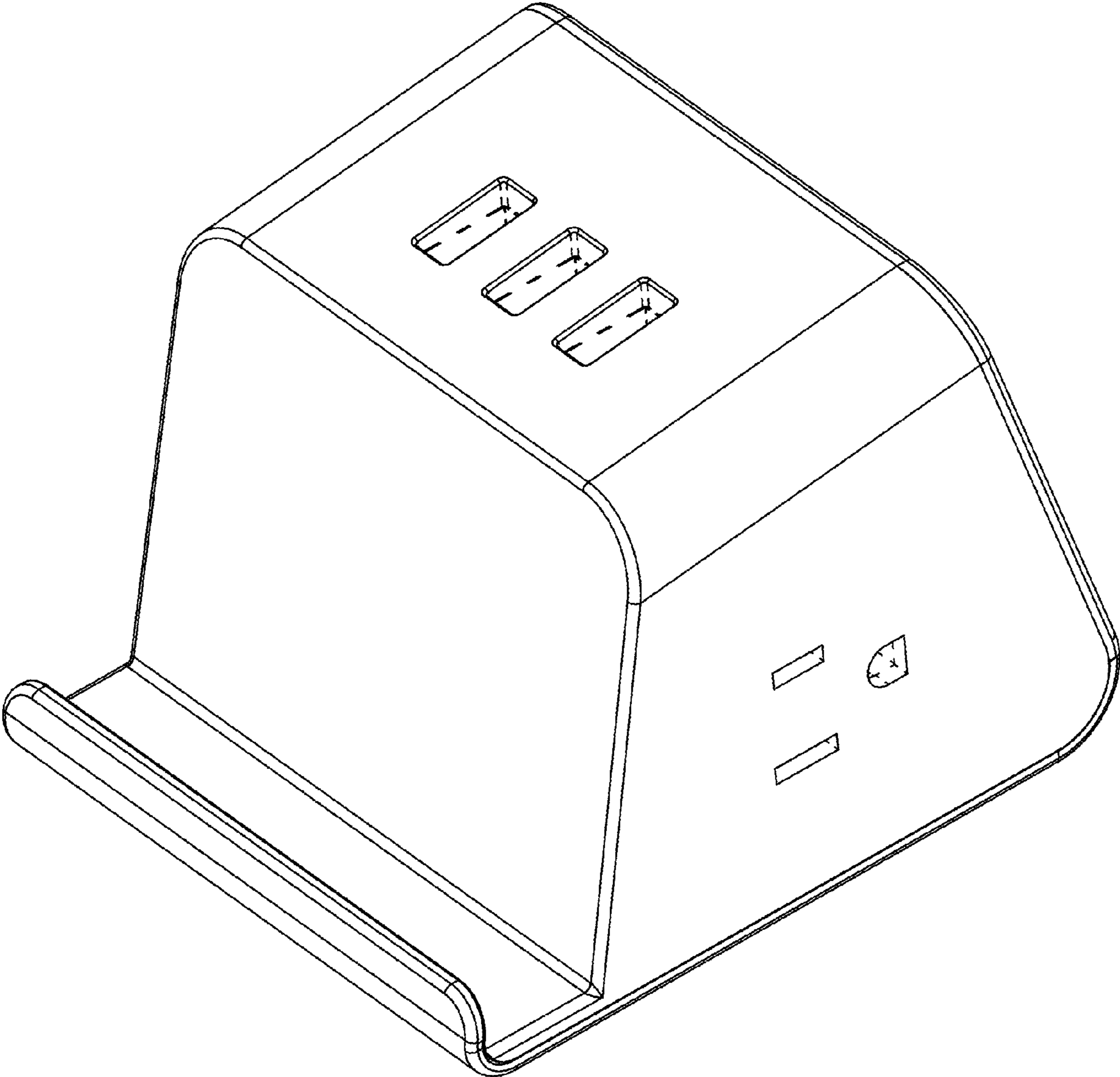


FIG. 7

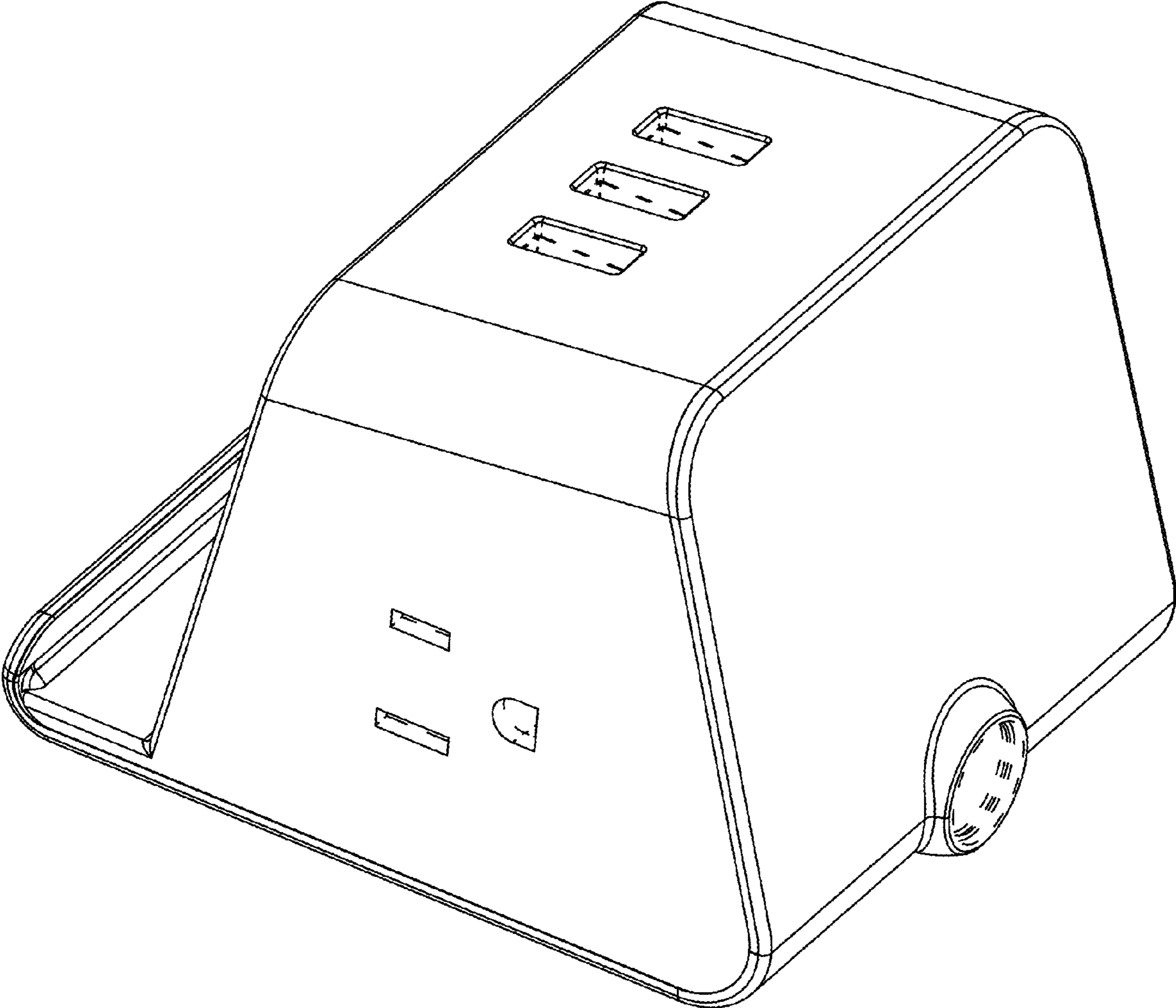


FIG. 8