



US00D944206S

(12) **United States Design Patent**
Underhill et al.

(10) **Patent No.:** **US D944,206 S**

(45) **Date of Patent:** **** Feb. 22, 2022**

(54) **ELECTRICAL PORT**

(71) Applicant: **THE NOCO COMPANY**, Glenwillow, OH (US)

(72) Inventors: **Derek Michael Underhill**, Tempe, AZ (US); **Ifechukwude Christian Iwerunmor**, Peoria, AZ (US); **Tom Situ**, Glendale, AZ (US); **James P. McBride**, Phoenix, AZ (US); **James Richard Stanfield**, Glendale, AZ (US)

(73) Assignee: **THE NOCO COMPANY**, Glenwillow, OH (US)

(**) Term: **15 Years**

(21) Appl. No.: **29/719,413**

(22) Filed: **Jan. 3, 2020**

(51) **LOC (13) Cl.** **13-03**

(52) **U.S. Cl.**
USPC **D13/133**

(58) **Field of Classification Search**
USPC D13/110, 118, 123, 133, 146, 147, 149, D13/153, 154, 173, 184, 199
CPC H01R 13/00; H01R 13/46; H01R 13/502; H01R 13/52; H01R 13/58; H01R 13/62; H01R 13/648; H01R 24/00; H01R 24/28; H01R 31/06

See application file for complete search history.

(56) **References Cited**

U.S. PATENT DOCUMENTS

D861,611 S * 10/2019 Wang D13/133
D864,870 S * 10/2019 Payne D13/133

D884,637 S * 5/2020 Okajima D13/133
D886,061 S * 6/2020 Wang D13/133
10,931,059 B1 * 2/2021 Kellogg H01R 24/60
2012/0182006 A1 * 7/2012 Agrawal G01D 4/002
324/156
2013/0065442 A1 * 3/2013 Nagata H01R 13/506
439/607.58
2016/0036176 A1 * 2/2016 Kato H01R 31/06
439/676
2016/0068120 A1 * 3/2016 Jin A61B 8/4444
16/2.2
2017/0162990 A1 * 6/2017 Wu H02J 7/00
2017/0256881 A1 * 9/2017 Lambie H01R 13/5202
2017/0256886 A1 * 9/2017 Underwood H01R 11/30
2021/0006005 A1 * 1/2021 Yamanaka H01R 13/5202

* cited by examiner

Primary Examiner — Shawn T Gingrich

(74) *Attorney, Agent, or Firm* — Vorys, Sater, Seymour & Pease LLP; William Klima; Jonathan Nook

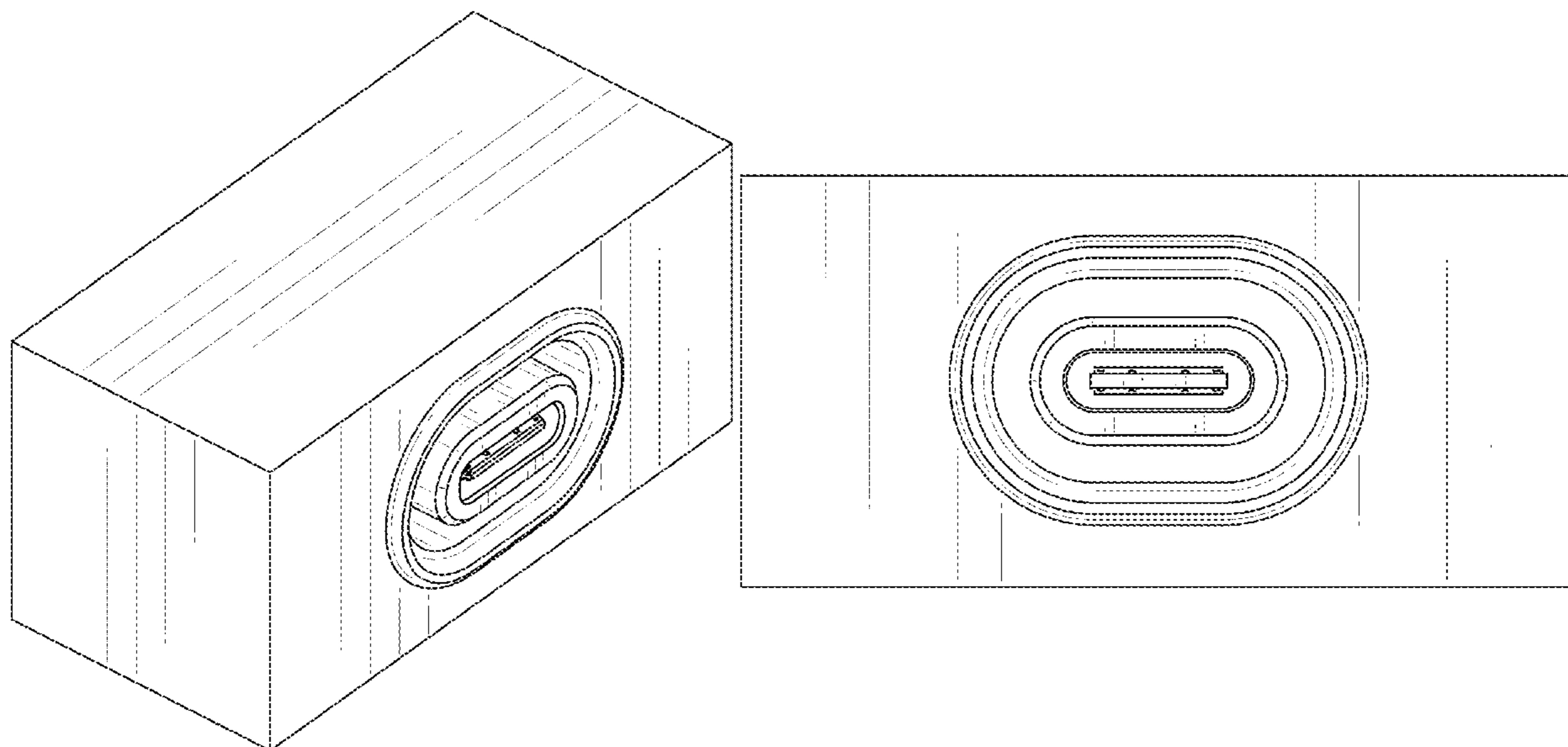
(57) **CLAIM**

The ornamental design for an electrical port, as shown and described.

DESCRIPTION

FIG. 1 is a perspective view of a new design for an electrical port;
FIG. 2 is a front elevational view thereof;
FIG. 3 is a perspective view thereof, shown connected to an electrical connector (not claimed); and,
FIG. 4 is a perspective view thereof, shown prior to connecting with an electrical connector (not claimed).
The broken lines shown in the drawings illustrate unclaimed subject matter and that form no part of the claimed design.
The unshaded surfaces form no part of the claimed design.

1 Claim, 4 Drawing Sheets



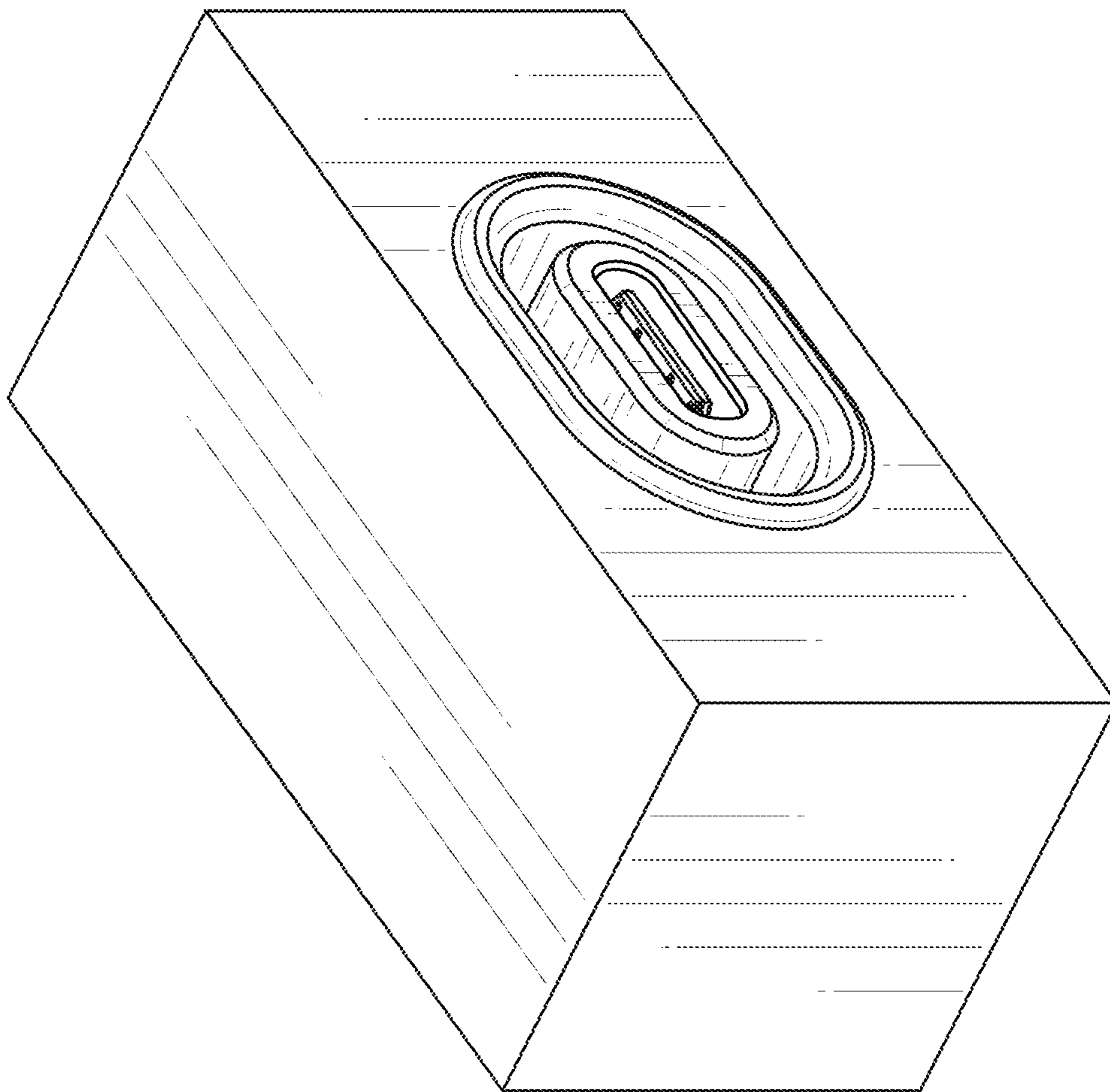


FIG. 1

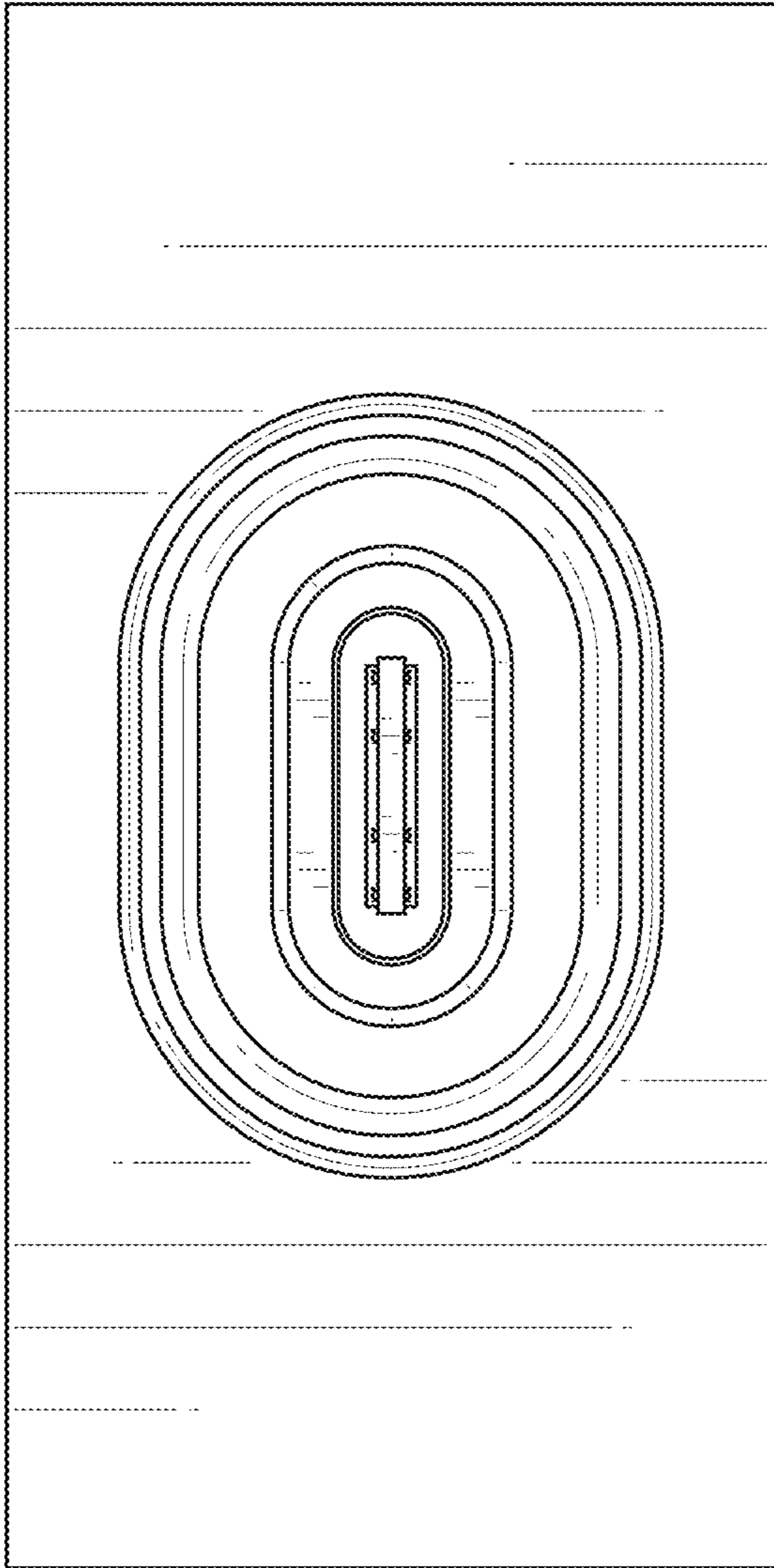


FIG. 2

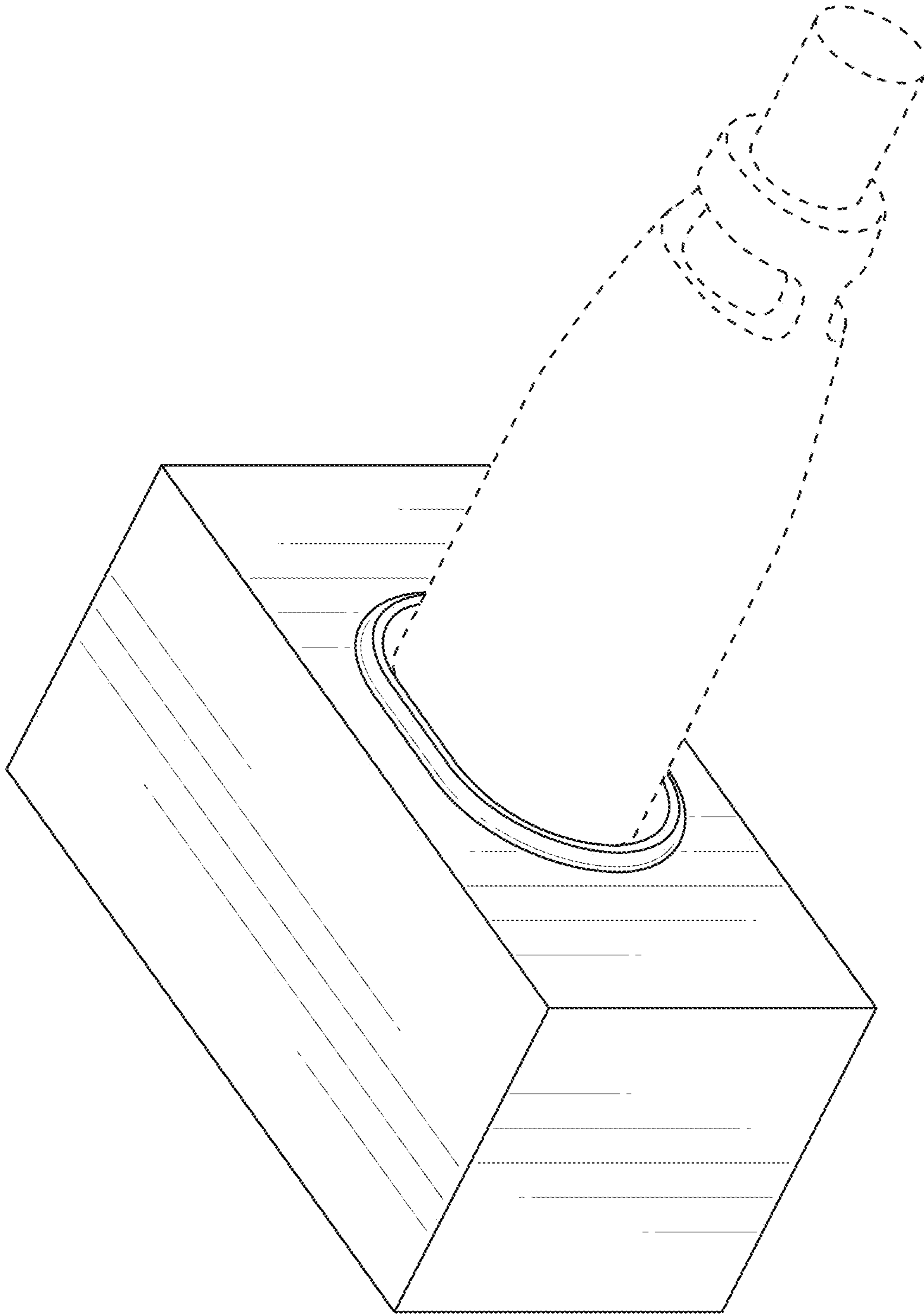


FIG. 3

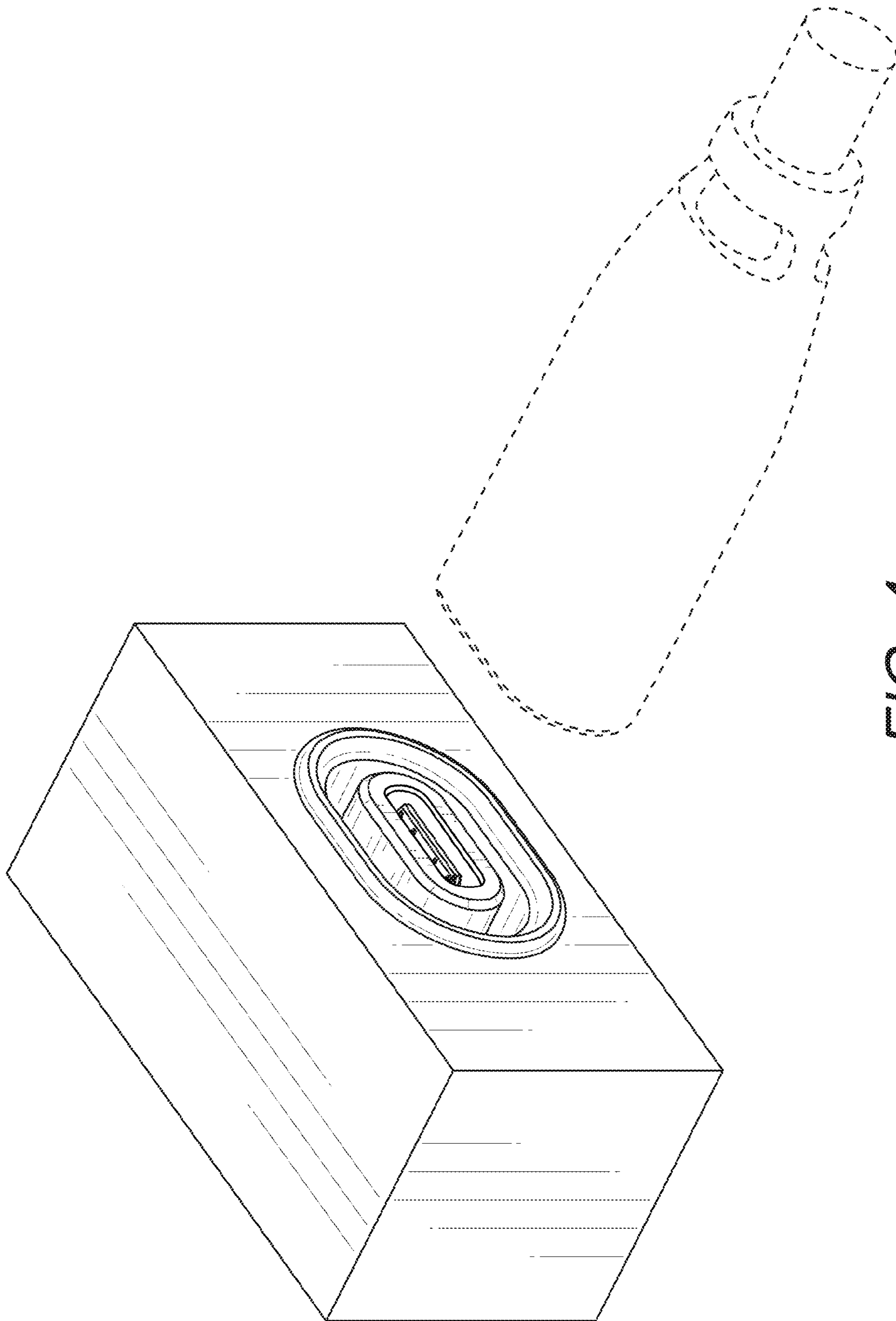


FIG. 4