



US00D944205S

(12) **United States Design Patent**
Underhill et al.

(10) **Patent No.:** **US D944,205 S**

(45) **Date of Patent:** **** Feb. 22, 2022**

(54) **ELECTRICAL CONNECTOR**

(71) Applicant: **THE NOCO COMPANY**, Glenwillow, OH (US)

(72) Inventors: **Derek Michael Underhill**, Tempe, AZ (US); **Ifechukwude Christian Iwerunmor**, Peoria, AZ (US); **Tom Situ**, Glendale, AZ (US); **James P. McBride**, Phoenix, AZ (US); **James Richard Stanfield**, Glendale, AZ (US)

(73) Assignee: **THE NOCO COMPANY**, Glenwillow, OH (US)

(**) Term: **15 Years**

(21) Appl. No.: **29/719,409**

(22) Filed: **Jan. 3, 2020**

(51) **LOC (13) Cl.** **13-03**

(52) **U.S. Cl.**
USPC **D13/133**

(58) **Field of Classification Search**
USPC D13/110, 118, 123, 133, 146, 147, 149, D13/153, 154, 173, 184, 199
CPC H01R 13/00; H01R 13/46; H01R 13/502; H01R 13/52; H01R 13/58; H01R 13/62; H01R 13/648; H01R 24/00; H01R 24/28; H01R 31/06

See application file for complete search history.

(56) **References Cited**

U.S. PATENT DOCUMENTS

D361,751 S * 8/1995 Geis D13/154
D596,125 S * 7/2009 Norin D13/133
7,874,864 B2 * 1/2011 Luu H01R 13/6395
439/373

D644,611 S * 9/2011 Sasaki D13/147
D696,631 S * 12/2013 Price D13/147
D746,777 S * 1/2016 Laven D13/146
D753,065 S * 4/2016 Corona D13/146
D755,723 S * 5/2016 Kuhnert D13/146
D768,084 S * 10/2016 Rodriguez D13/147
D892,745 S * 8/2020 Vlacich D13/147
D911,289 S * 2/2021 Itoh D13/146
2011/0065305 A1 * 3/2011 Amit H01R 13/5829
439/368
2020/0403353 A1 * 12/2020 Chang H05K 5/0069

* cited by examiner

Primary Examiner — Shawn T Gingrich

(74) *Attorney, Agent, or Firm* — Vorys, Sater, Seymour & Pease LLP; William Klima; Jonathan Nook

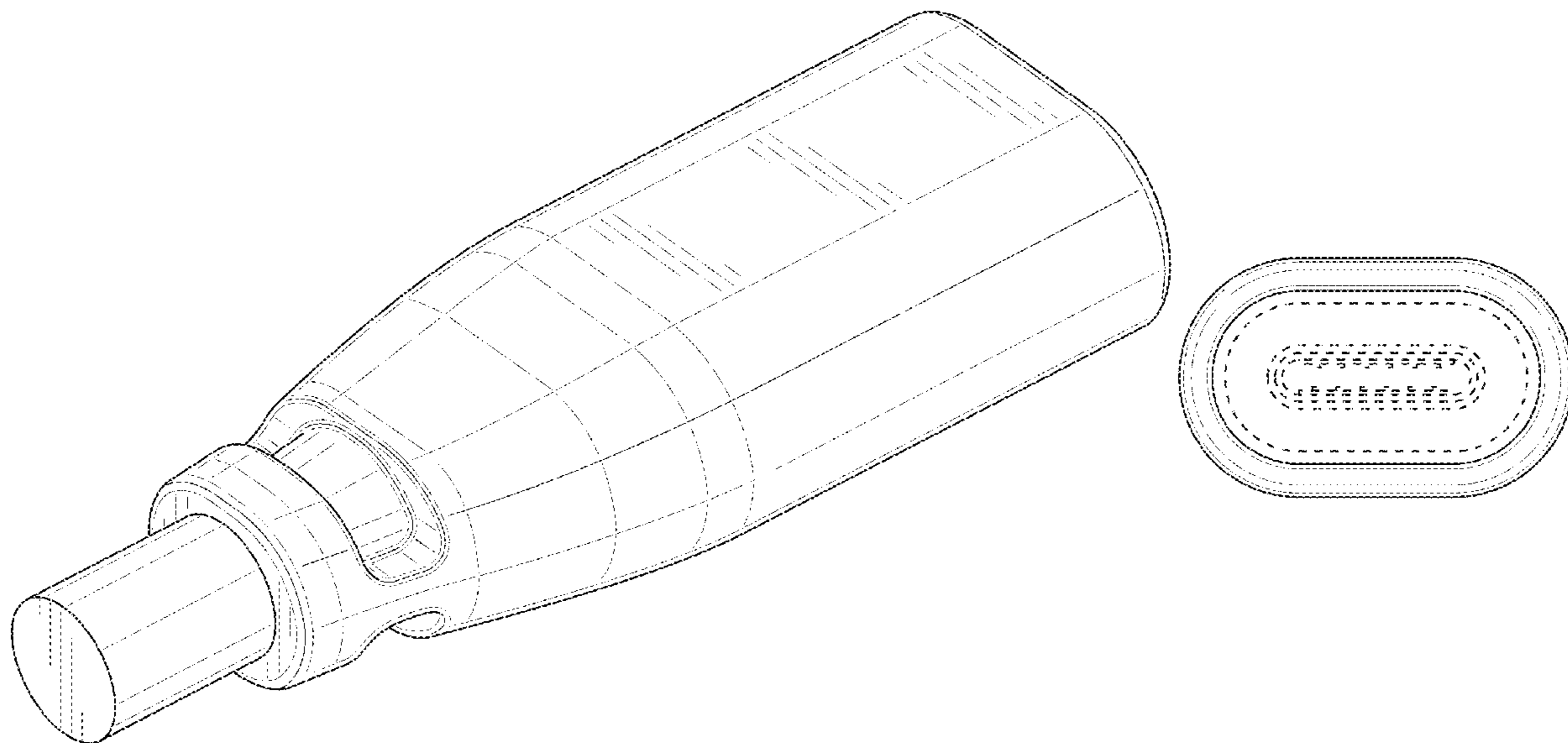
(57) **CLAIM**

The ornamental design for an electrical connector, as shown and described.

DESCRIPTION

FIG. 1 is a rear perspective view of a new design for an electrical connector;
FIG. 2 is a front elevational view thereof;
FIG. 3 is a rear elevational view thereof;
FIG. 4 is a top plan view thereof;
FIG. 5 is a bottom plan view thereof;
FIG. 6 is a right side elevational view thereof;
FIG. 7 is a left side elevational view thereof;
FIG. 8 is a rear perspective view thereof, shown prior to connecting with an electrical port (not claimed); and,
FIG. 9 is a rear perspective view thereof, shown connected to an electrical port (not claimed).
The broken lines shown in the drawings illustrate unclaimed subject matter and that form no part of the claimed design.

1 Claim, 9 Drawing Sheets



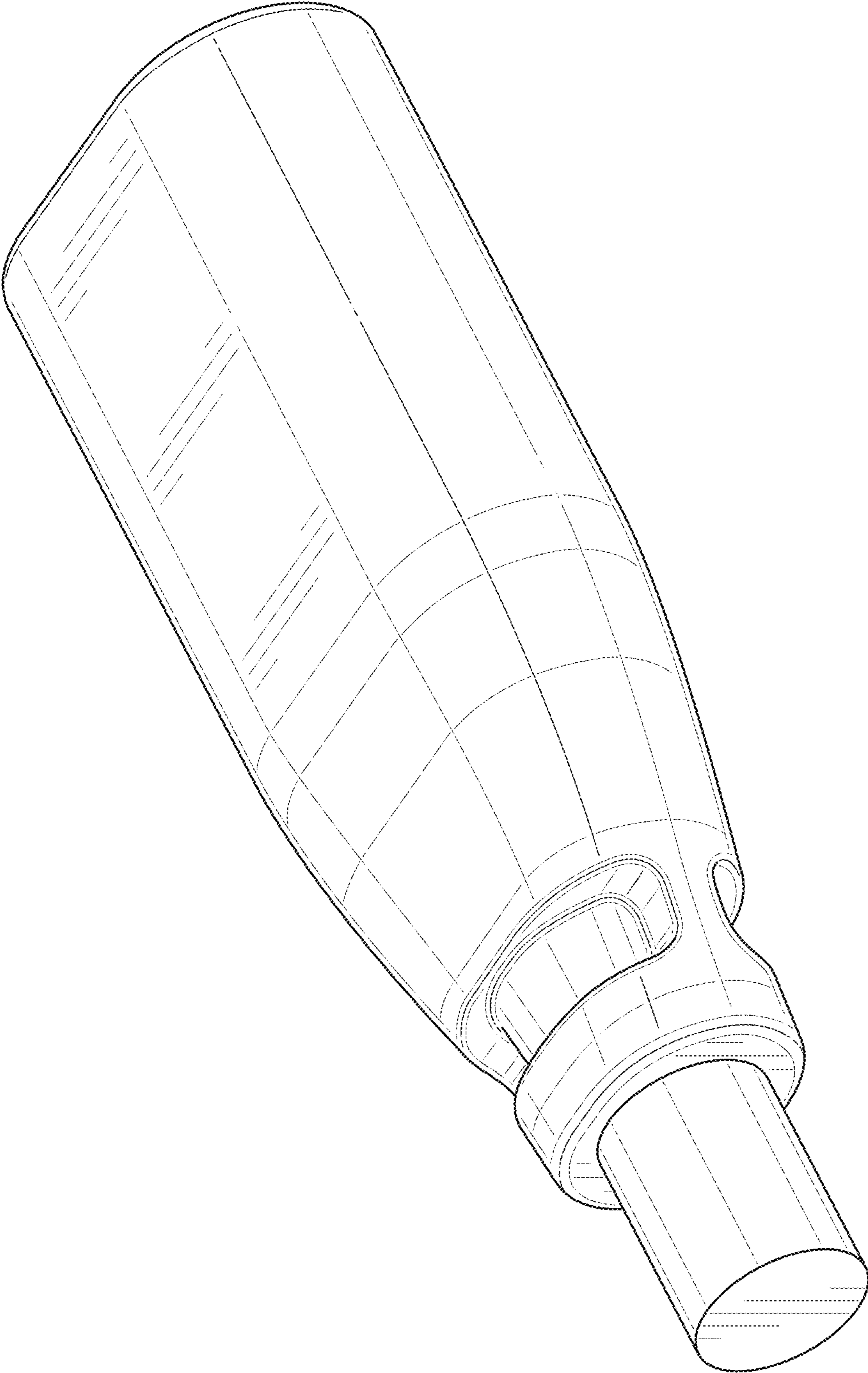


FIG. 1

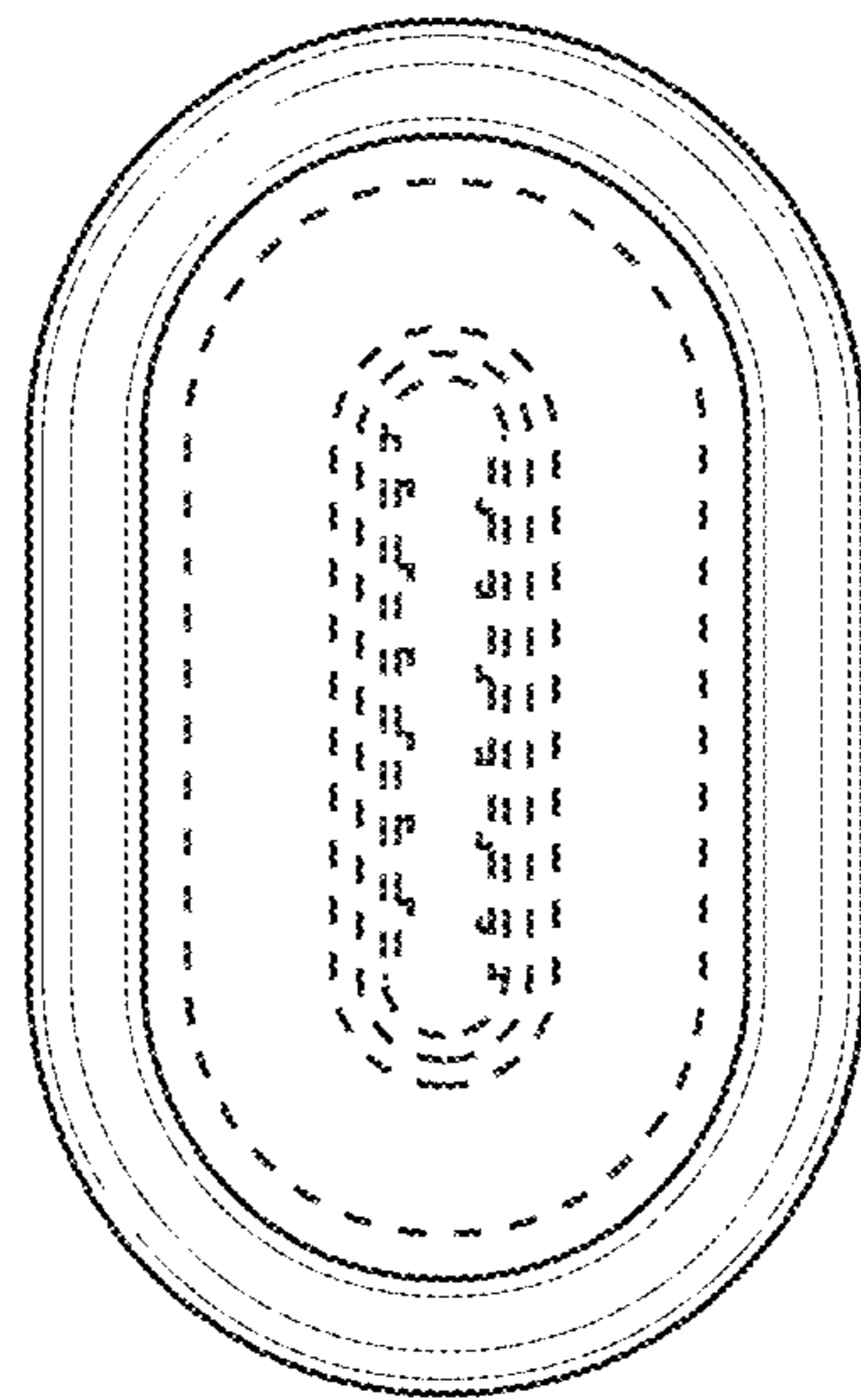


FIG. 2

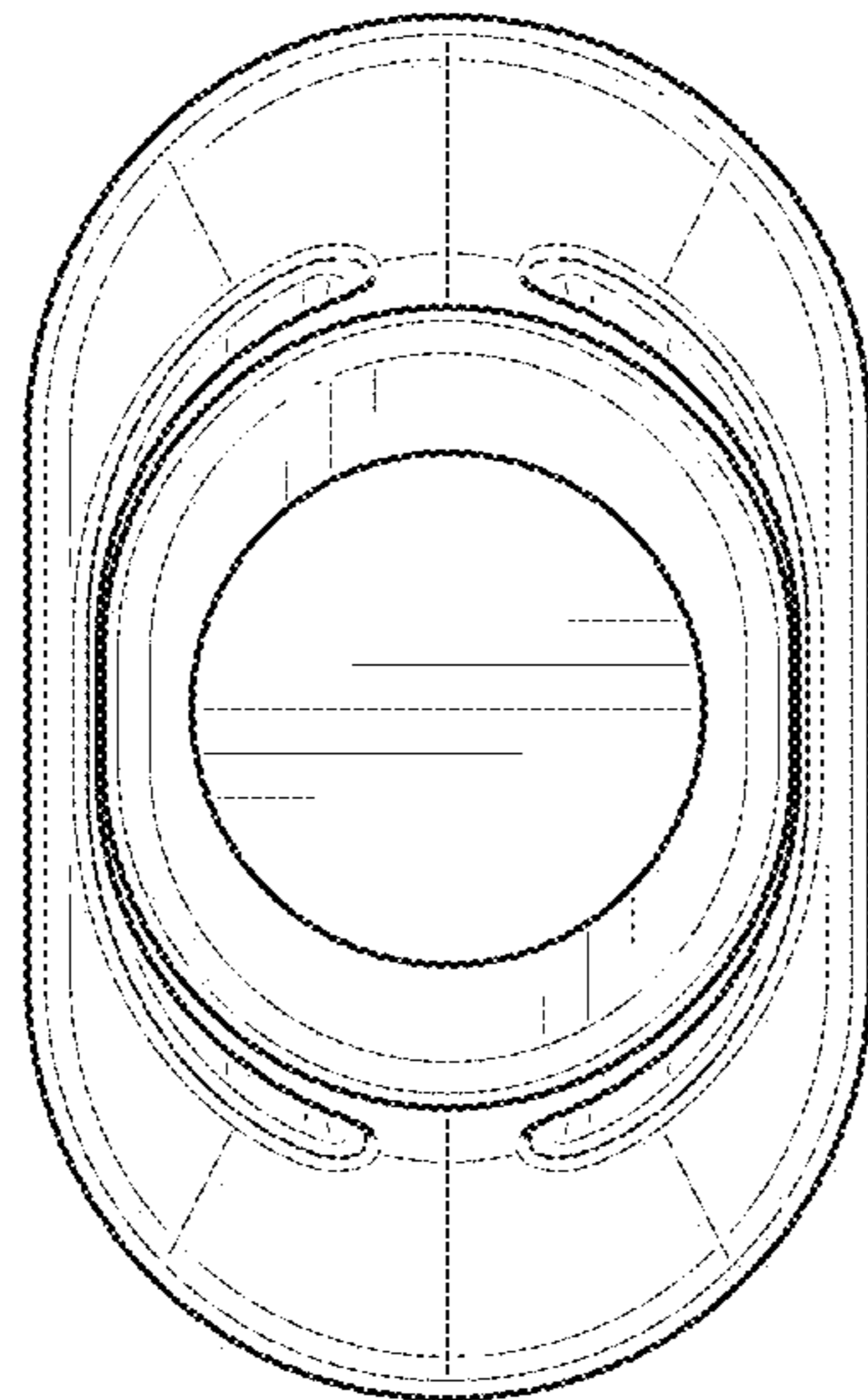


FIG. 3

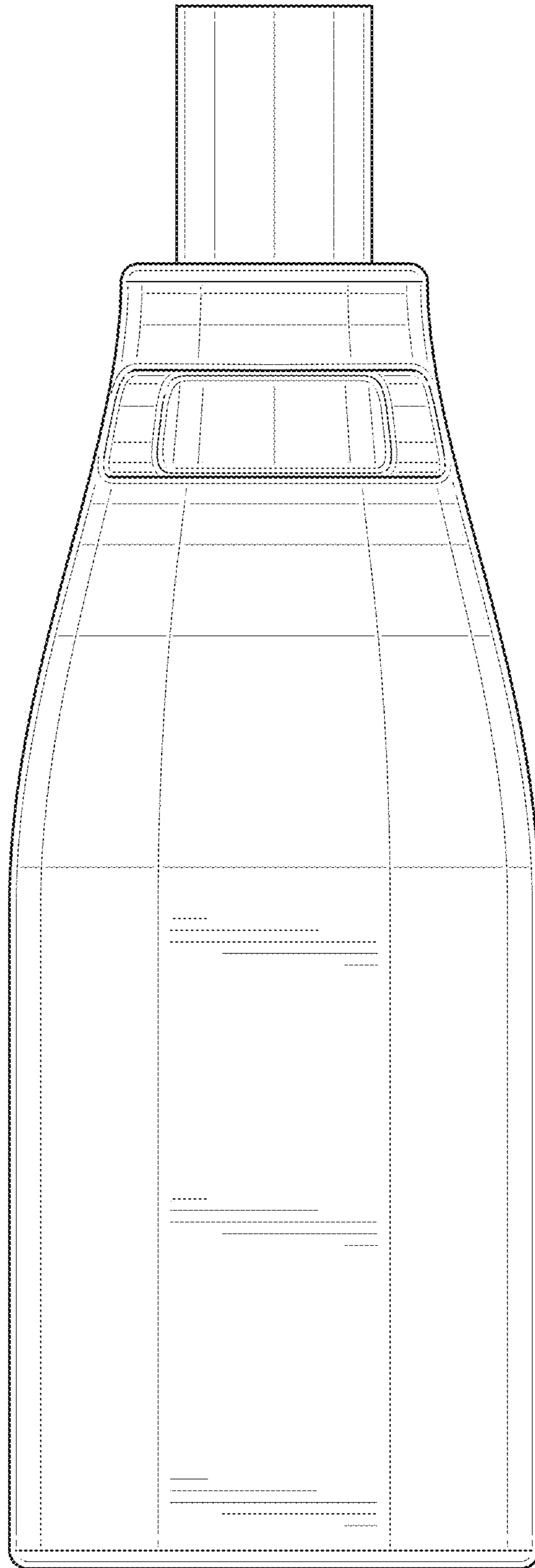


FIG. 4

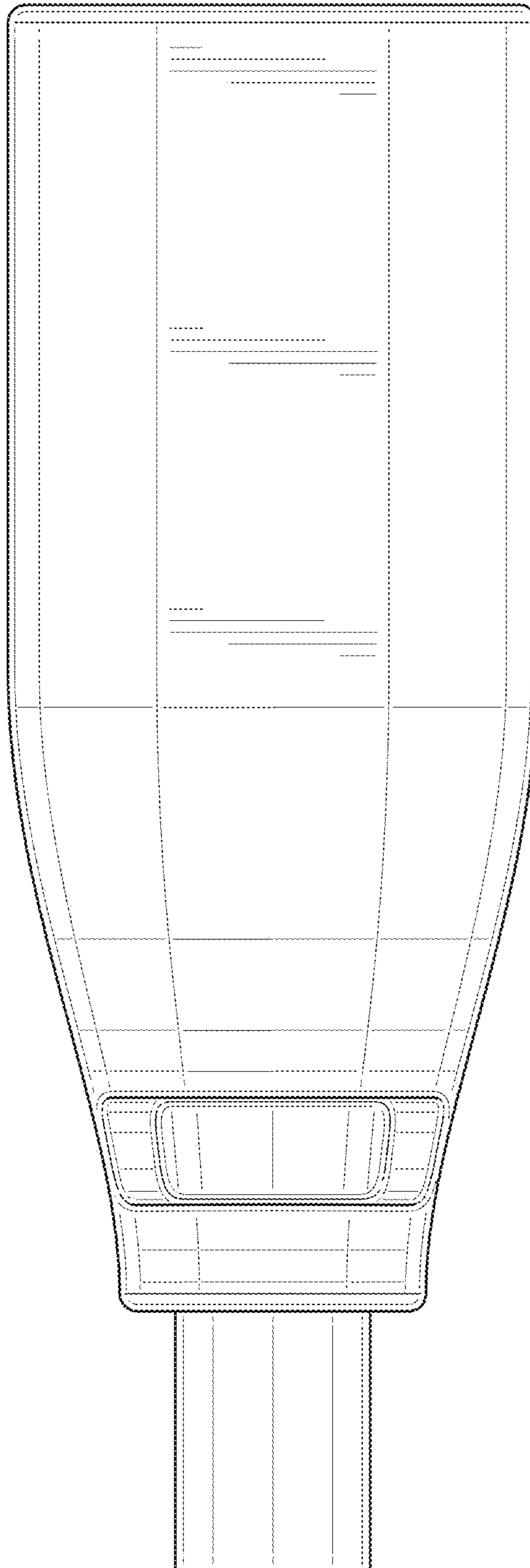


FIG. 5

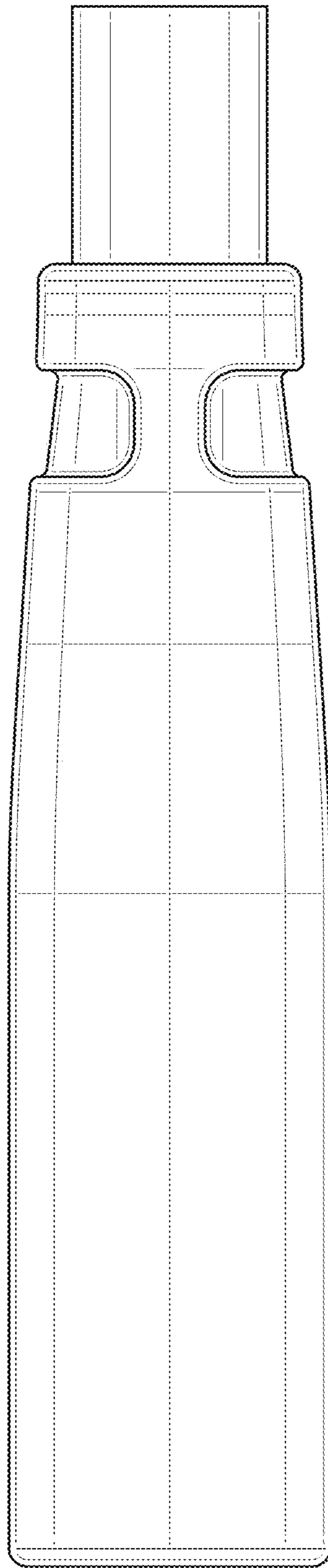


FIG. 6

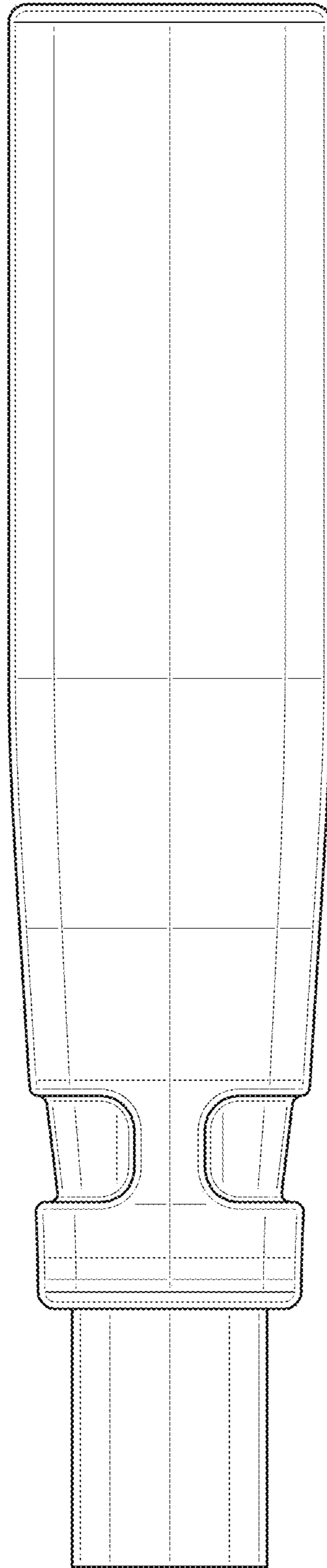


FIG. 7

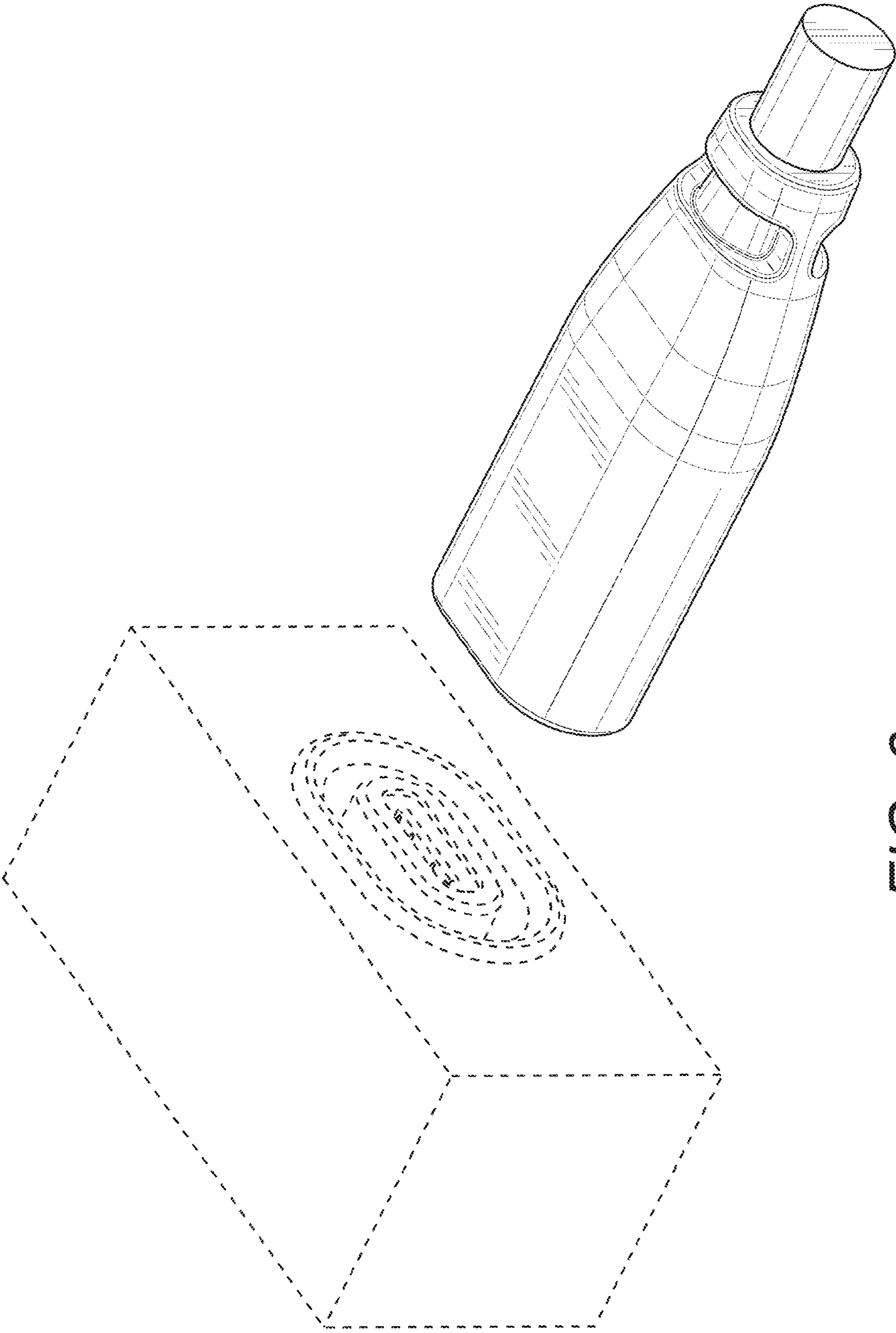


FIG. 8

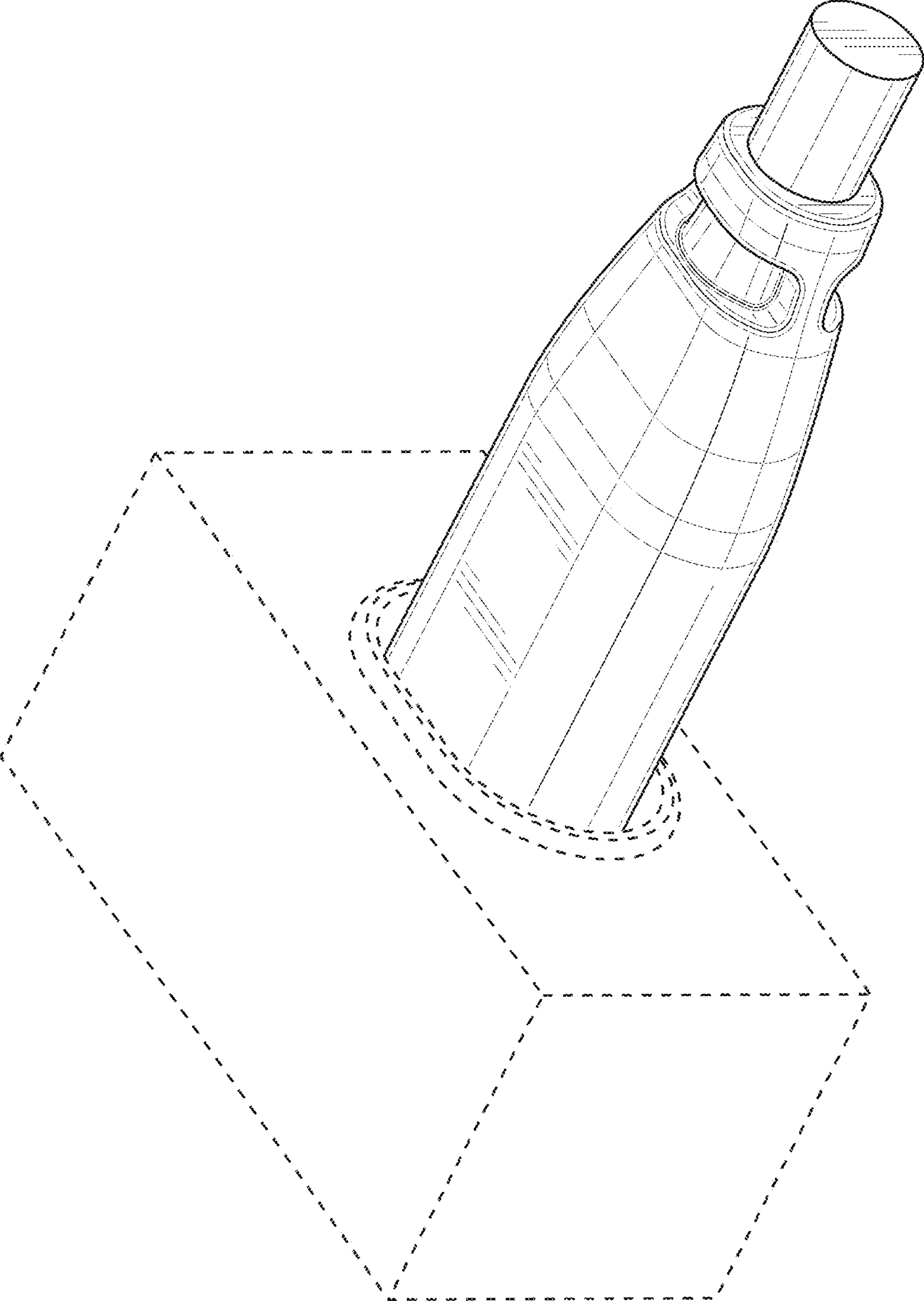


FIG. 9