

US00D944204S

(12) **United States Design Patent** (10) **Patent No.:** **US D944,204 S**  
**Largent et al.** (45) **Date of Patent:** **\*\* Feb. 22, 2022**

(54) **MOTOR CONTROLLER HOUSING**

(71) Applicant: **Nidec Motor Corporation**, St. Louis, MO (US)

(72) Inventors: **Michael L. Largent**, O'Fallon, IL (US); **Steven R. Palmer**, Highland, IL (US); **Jeffrey Scott Sherman**, Creve Coeur, MO (US)

(73) Assignee: **Nidec Motor Corporation**, St. Louis, MO (US)

(\*\*) Term: **15 Years**

(21) Appl. No.: **29/696,824**

(22) Filed: **Jul. 1, 2019**

(51) **LOC (13) Cl.** ..... **13-01**

(52) **U.S. Cl.**  
USPC ..... **D13/122**

(58) **Field of Classification Search**  
USPC ..... D13/101, 112, 113, 114, 117, 118, 120, D13/122, 199; D15/1, 3, 5, 199; D23/370, 377  
CPC . F02B 63/04; H02K 3/24; H02K 3/47; H02K 1/12; H02K 5/02; H02K 5/04; H02K 5/08; H02K 5/18; H02K 5/20; H02K 11/0094; H02K 9/06; H02K 9/14  
See application file for complete search history.

D573,534 S \* 7/2008 Andersson ..... D13/113  
D593,943 S \* 6/2009 Lannoch ..... D13/112  
D606,562 S 12/2009 Stiles, Jr. et al.  
D611,430 S 3/2010 Stiles, Jr. et al.  
7,815,420 B2 10/2010 Koehl  
7,845,913 B2 12/2010 Stiles, Jr. et al.  
7,854,597 B2 12/2010 Stiles, Jr. et al.  
7,857,600 B2 12/2010 Koehl  
7,874,808 B2 1/2011 Stiles  
7,935,888 B2 5/2011 Hansen et al.  
7,965,005 B2 \* 6/2011 Schmidt ..... H02K 7/1025 310/71

8,019,479 B2 9/2011 Stiles et al.  
8,043,070 B2 10/2011 Stiles, Jr. et al.  
8,313,306 B2 11/2012 Stiles, Jr. et al.  
8,363,408 B2 1/2013 Zheng  
D678,194 S \* 3/2013 Lannoch ..... D13/112  
8,465,262 B2 6/2013 Stiles, Jr. et al.  
8,469,675 B2 6/2013 Stiles, Jr. et al.  
8,480,373 B2 7/2013 Stiles, Jr. et al.  
8,500,413 B2 8/2013 Stiles, Jr. et al.  
8,573,952 B2 11/2013 Stiles, Jr. et al.

(Continued)

*Primary Examiner* — Derrick E Holland  
(74) *Attorney, Agent, or Firm* — Hovey Williams LLP

(57) **CLAIM**

The ornamental design for a motor controller housing, as shown and described.

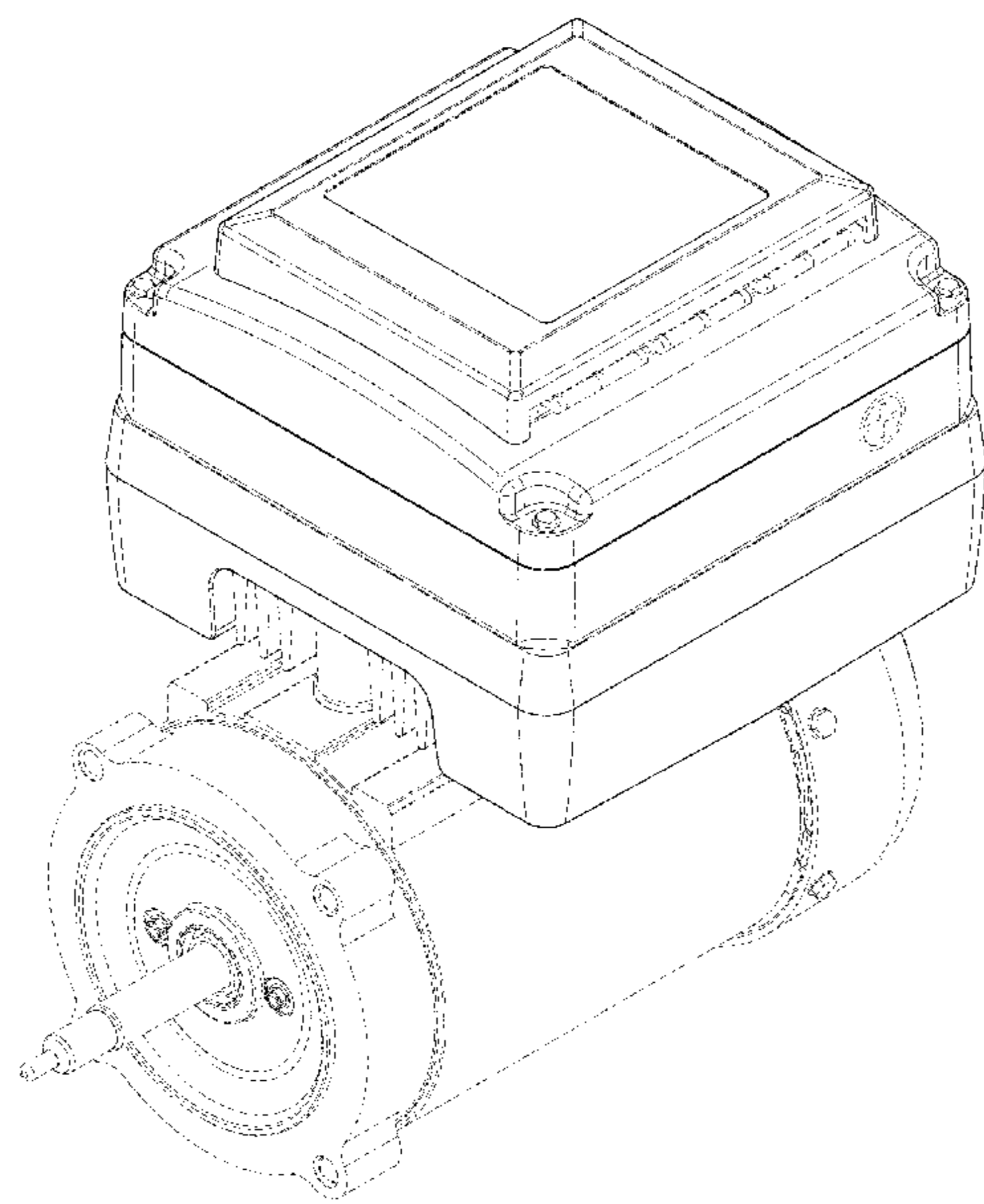
**DESCRIPTION**

FIG. 1 is a front perspective view of a motor controller housing showing the new design;  
FIG. 2 is a rear perspective view thereof;  
FIG. 3 is a front elevation view thereof;  
FIG. 4 is a right side elevation view thereof;  
FIG. 5 is a left side elevation view thereof;  
FIG. 6 is a top plan view thereof; and,  
FIG. 7 is a rear elevation view thereof.  
The broken lines shown represent environmental subject matter and form no part of the claimed design.

**1 Claim, 7 Drawing Sheets**

(56) **References Cited**  
U.S. PATENT DOCUMENTS

D336,890 S \* 6/1993 Hirose ..... D13/112  
6,091,604 A 7/2000 Plougsgaard et al.  
6,512,677 B1 1/2003 Bergherr et al.  
6,831,382 B1 12/2004 Lyle et al.  
D530,278 S 10/2006 Lyle et al.  
7,203,070 B2 4/2007 Weisz-Margulescu et al.  
D568,340 S 5/2008 Stiles, Jr. et al.



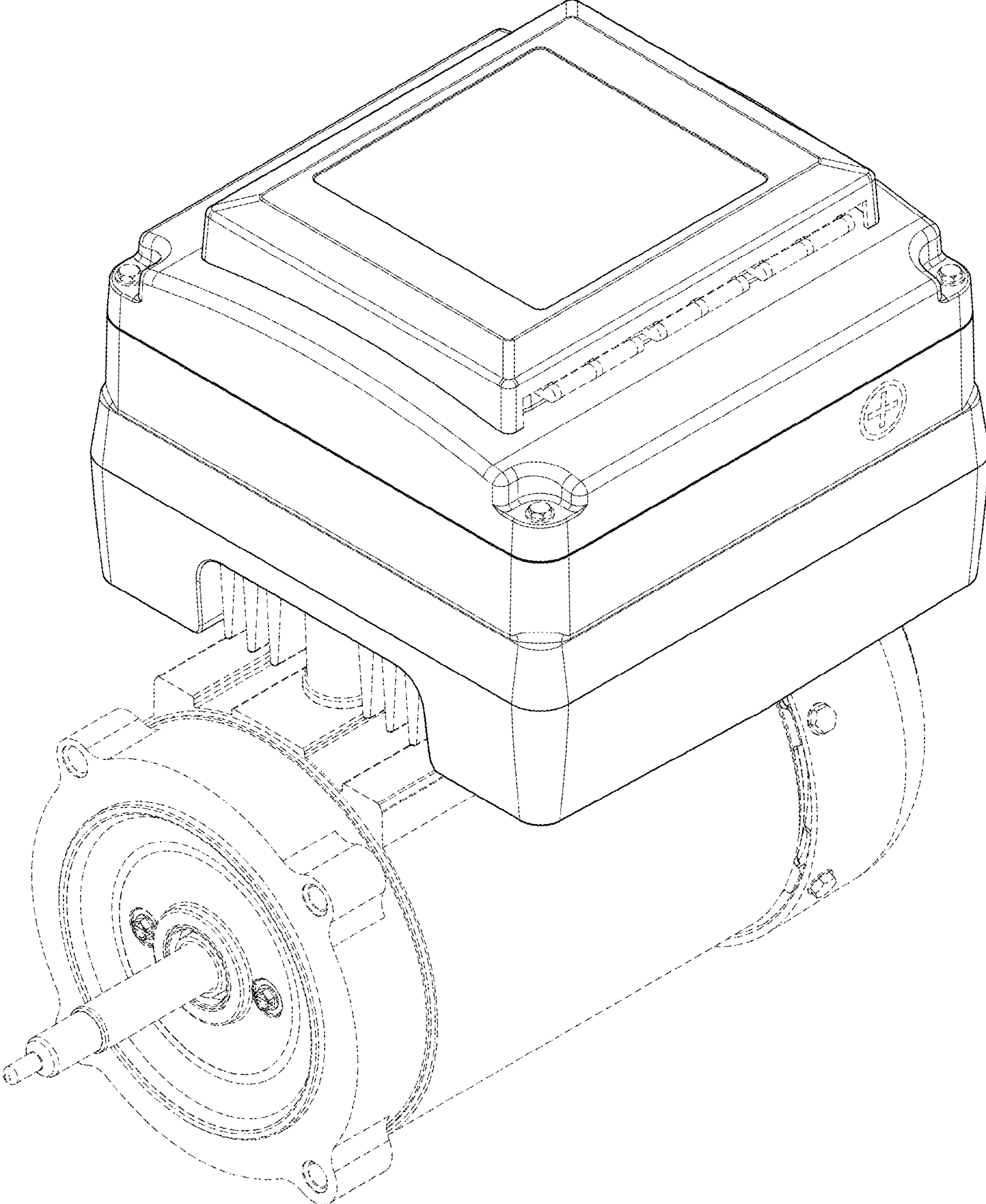
(56)

**References Cited**

U.S. PATENT DOCUMENTS

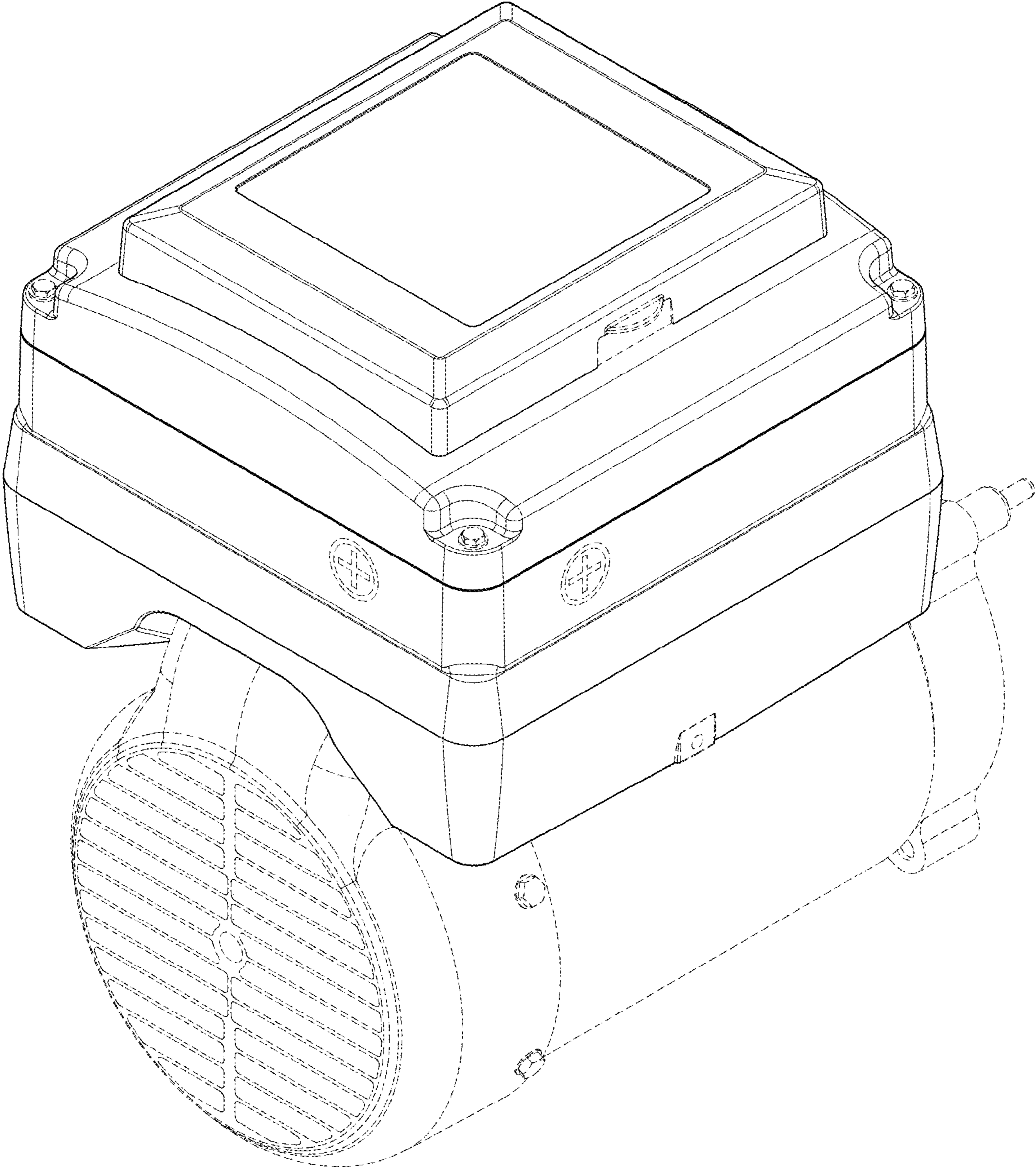
8,602,743	B2	12/2013	Stiles, Jr. et al.	
8,602,745	B2	12/2013	Stiles, Jr. et al.	
8,801,389	B2	8/2014	Stiles, Jr. et al.	
D712,354	S *	9/2014	Veeh .....	D13/112
8,840,376	B2	9/2014	Stiles, Jr. et al.	
D801,925	S *	11/2017	Andersson .....	D13/112
2015/0076942	A1 *	3/2015	Madsen Obel .....	H02K 9/06 310/59
2016/0013628	A1 *	1/2016	Tanaka .....	H02G 3/18 174/541
2016/0172926	A1	6/2016	Miller et al.	

\* cited by examiner

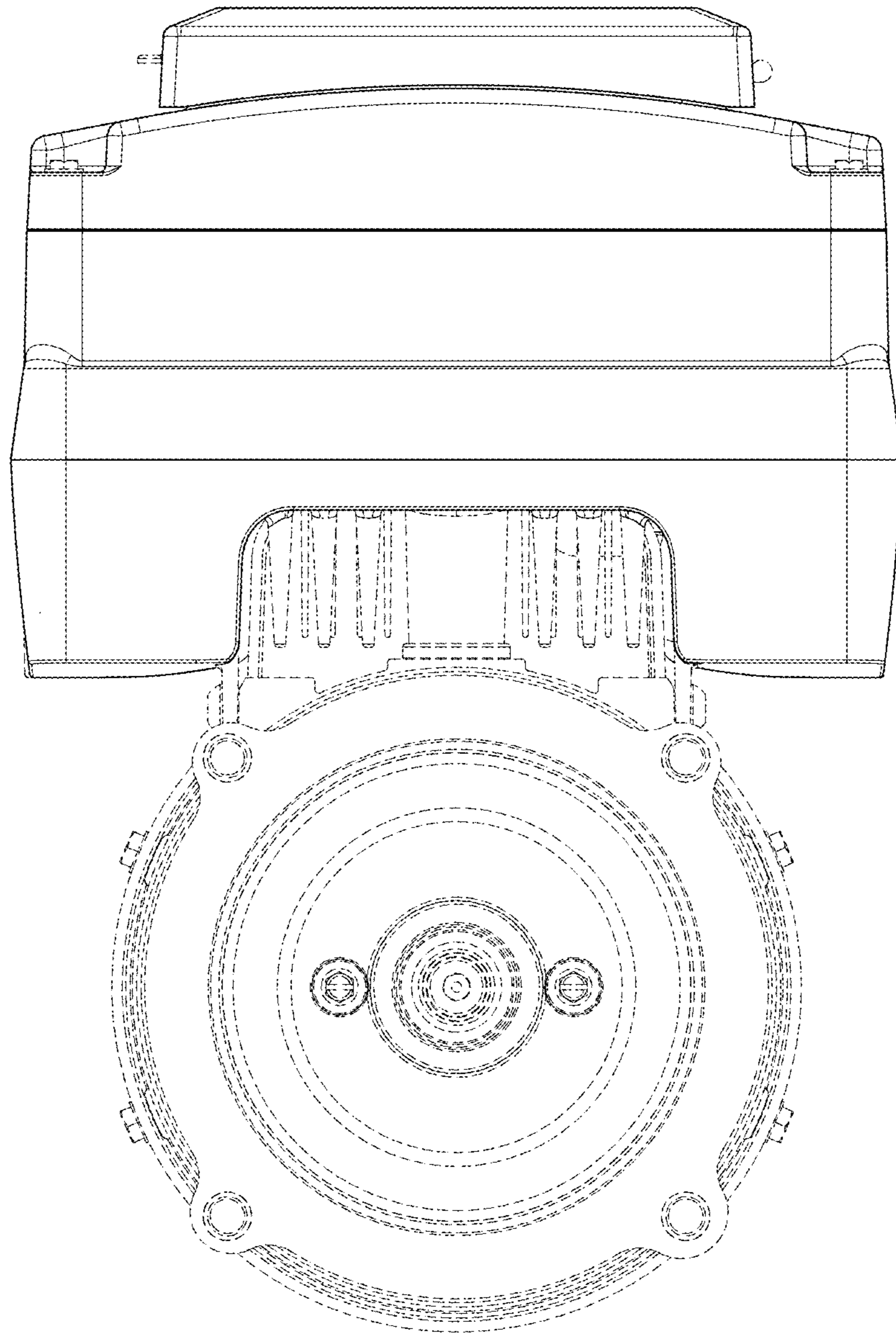


*Fig. 1*

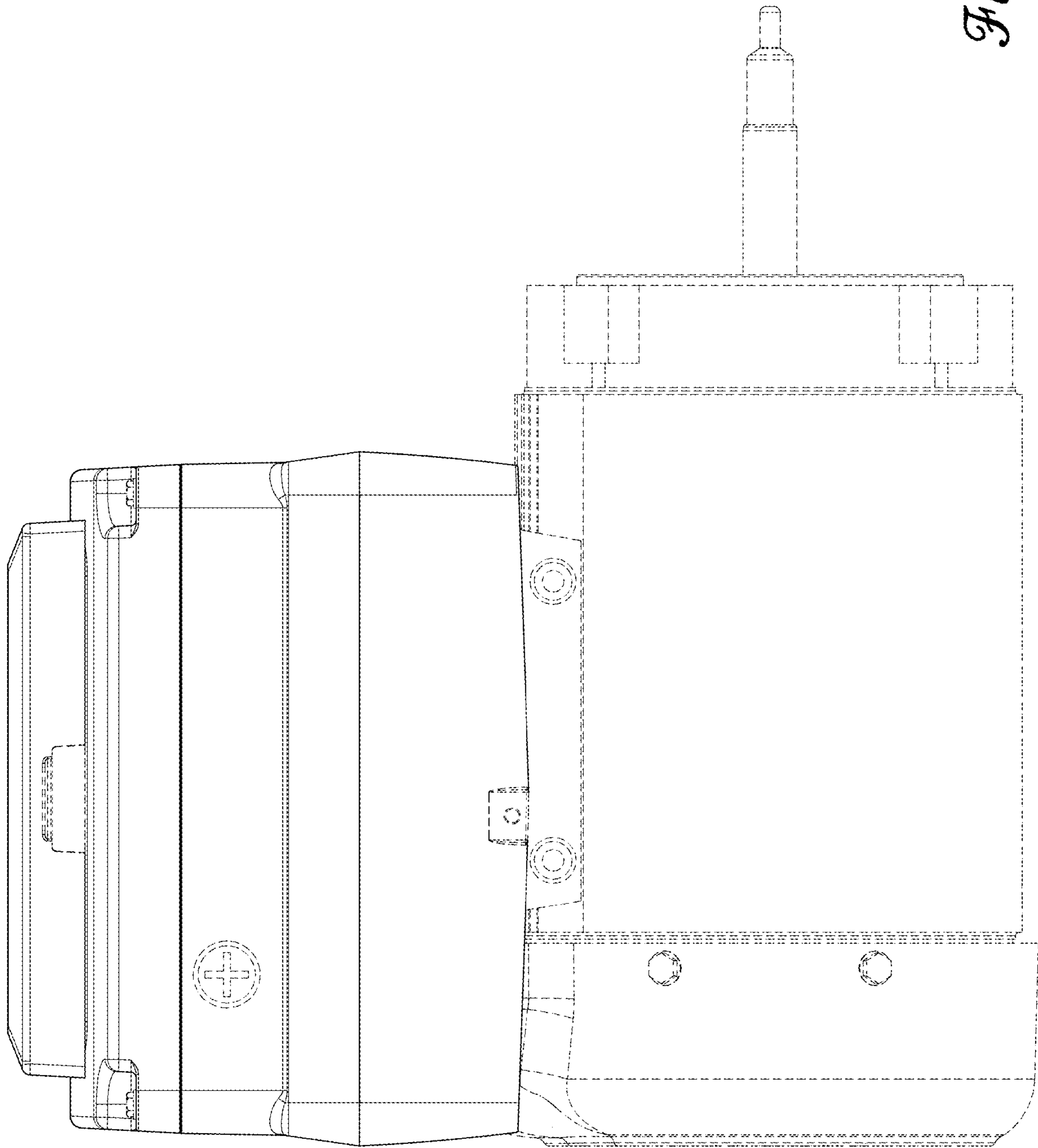




*Fig. 2*

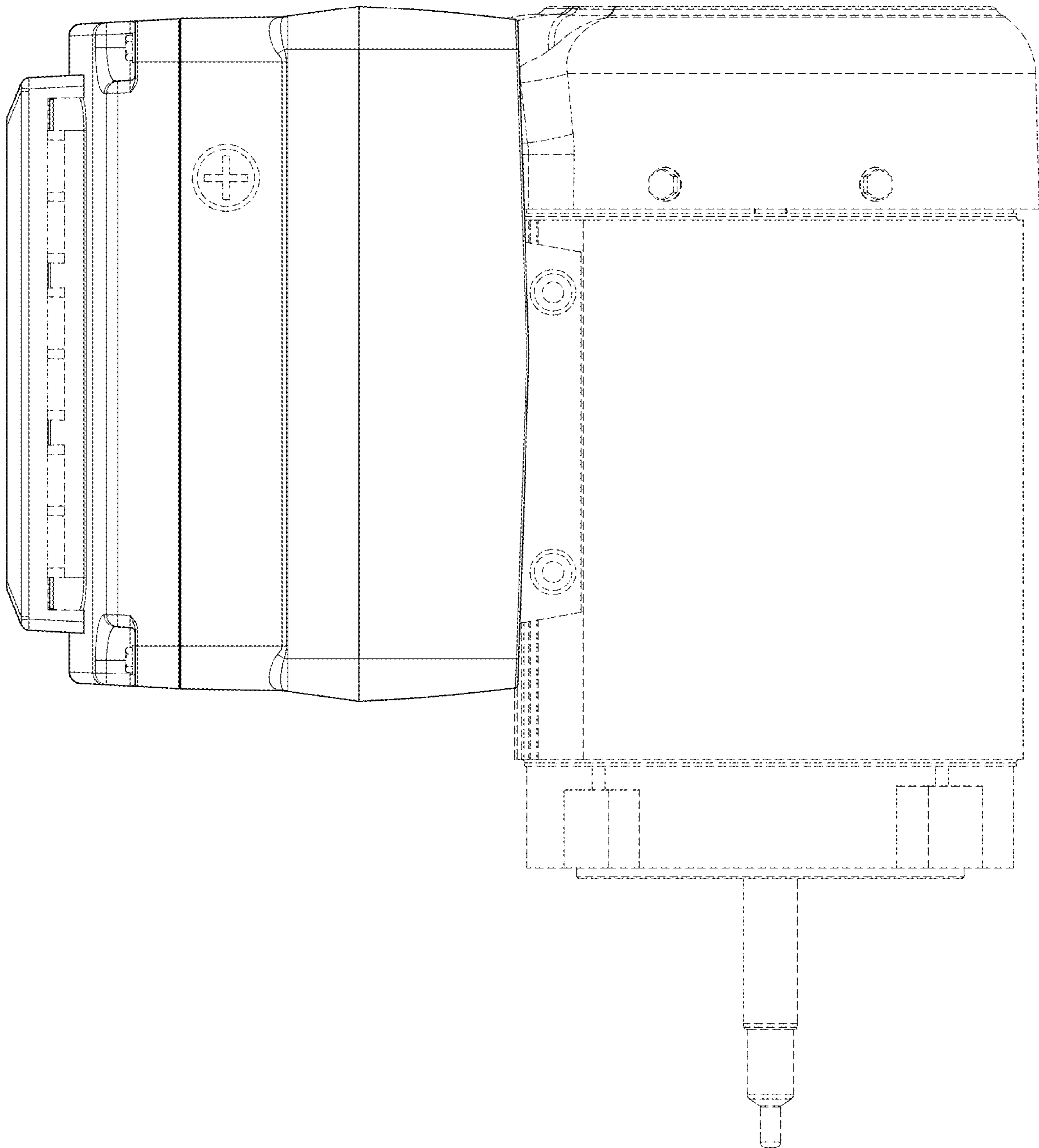


*Fig. 3*

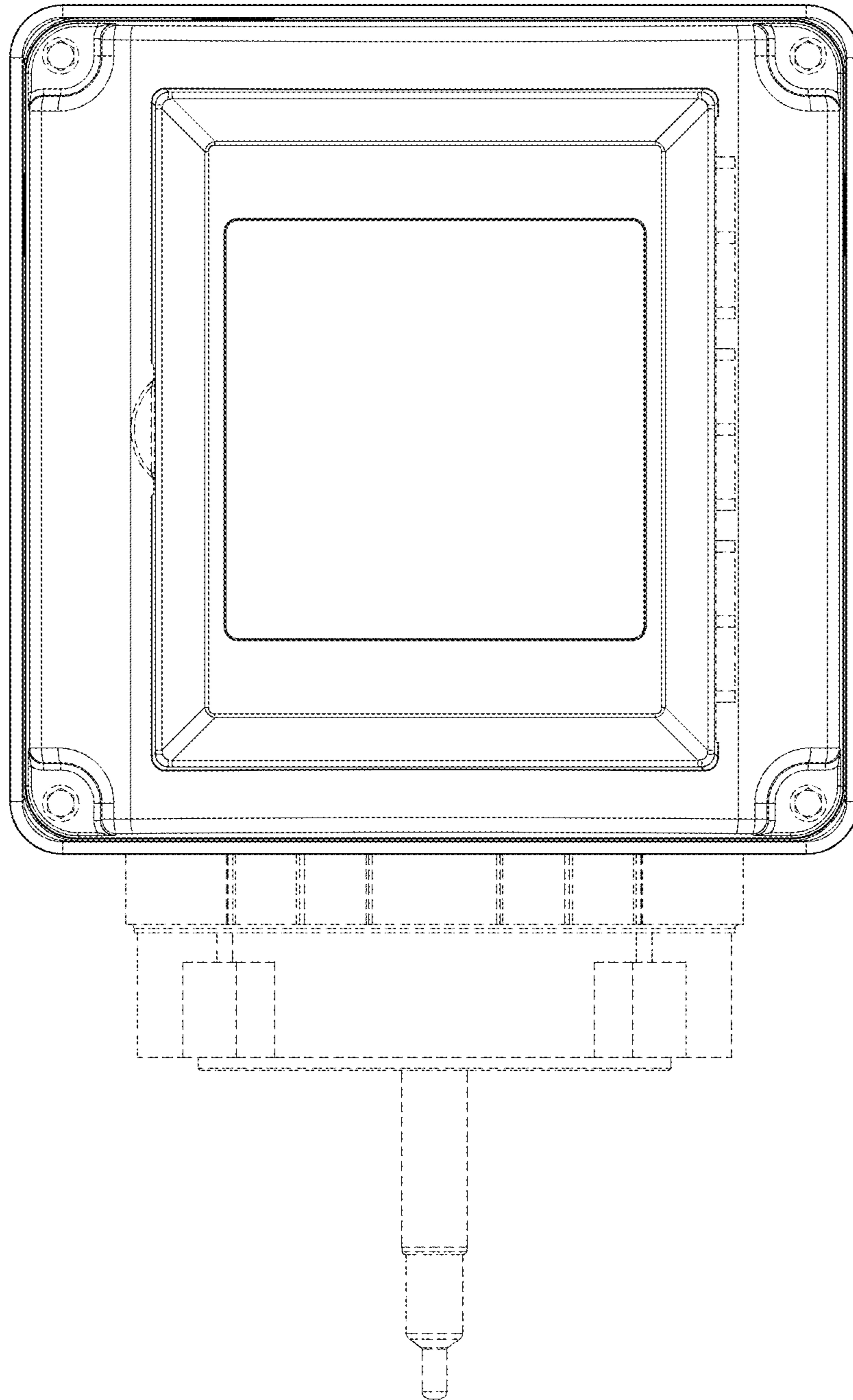


*Fig. 4*

*Fig. 5*

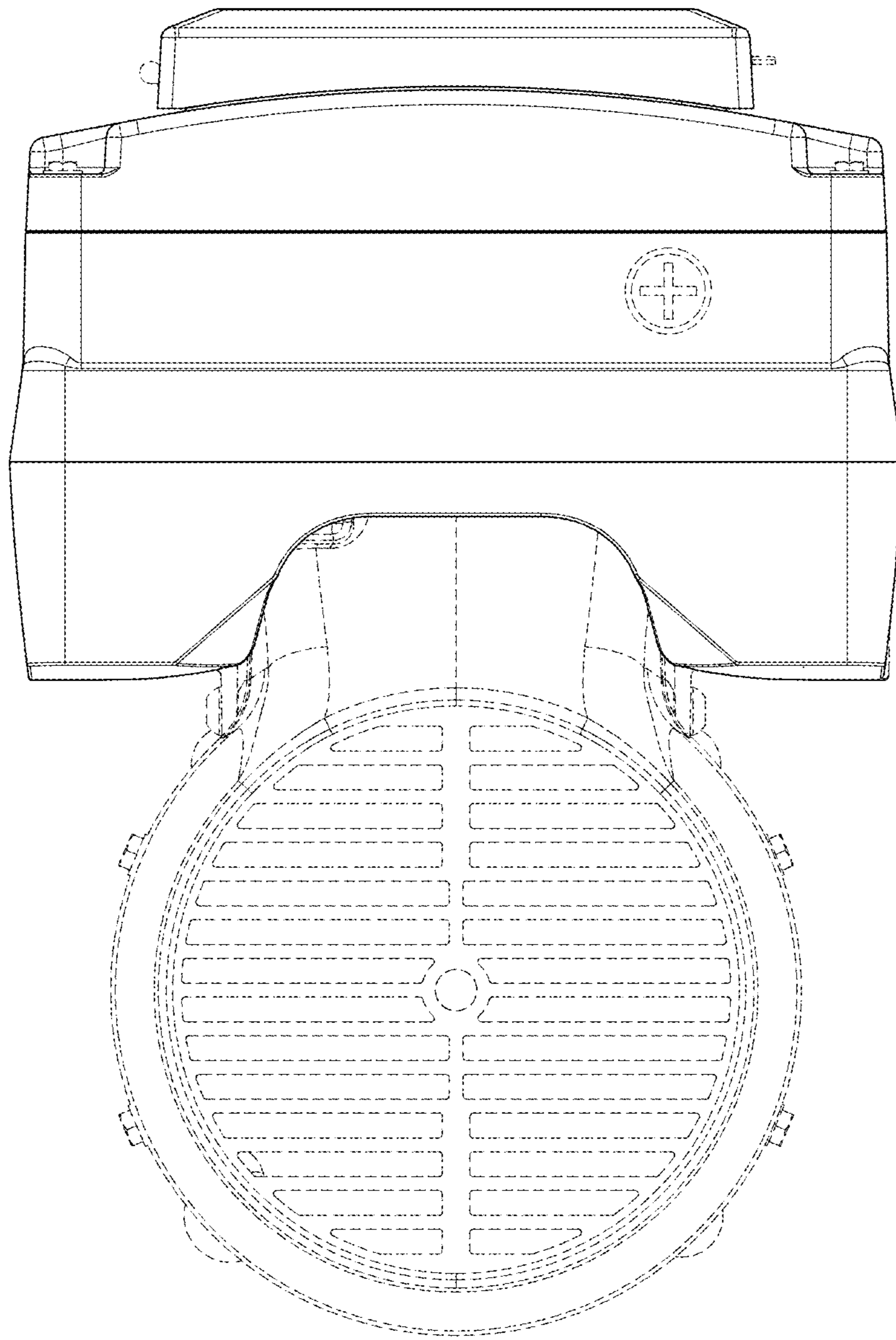






*Fig. 6*





*Fig. 7*