

US00D944202S

(12) **United States Design Patent** (10) **Patent No.:** **US D944,202 S**
Andersson et al. (45) **Date of Patent:** **** Feb. 22, 2022**

(54) **ELECTRIC GENERATOR**
(71) Applicant: **SIEMENS**
AKTIENGESELLSCHAFT, Munich
(DE)

294,482 A 3/1884 Lytle et al.
294,483 A 3/1884 Maize
D478,042 S 8/2003 Yaguchi et al.
D478,311 S 8/2003 Yaguchi et al.
D494,929 S 8/2004 Imai
D540,252 S * 4/2007 Hsien D13/110

(72) Inventors: **Jan Andersson**, Erlangen (DE);
Stephan Hühne, Wilhermsdorf (DE);
Ladislav Spacek, Bystrice nad
Perstejnem (CZ)

(Continued)

(73) Assignees: **SIEMENS**
AKTIENGESELLSCHAFT, Munich
(DE); **SIEMENS ELECTRIC**
MACHINES S.R.O., Draslov (CZ)

FOREIGN PATENT DOCUMENTS

KR 300834526 1/2016
KR 300834527 1/2016

(Continued)

(**) Term: **15 Years**

Generator. (Design —© Questel) orbit.com. [online PDF] 26 pgs.
Print Dates Range Jan. 5, 2021-Mar. 19, 2021 [Retrieved Apr. 8,
2021].*

(21) Appl. No.: **29/674,822**

(Continued)

(22) Filed: **Dec. 26, 2018**

(30) **Foreign Application Priority Data**

Primary Examiner — Manpreet S Matharu
Assistant Examiner — Suzanne E Tisdell
(74) *Attorney, Agent, or Firm* — Henry M. Feiereisen
LLC

Jun. 27, 2018 (EM) 005326840

(51) **LOC (13) Cl.** **13-01**

(52) **U.S. Cl.**
USPC **D13/112**

(58) **Field of Classification Search**
USPC D13/110, 107, 108, 118, 123, 162, 164,
D13/168, 169, 174, 177, 184, 199;
D14/257, 432, 438

CPC H05K 5/00; H05K 5/02; H05K 5/0247;
H05K 7/00; H05K 7/20; H05K 7/20136;
H05K 7/20154; H05K 7/209; H05K
7/1417; H05K 7/1427; H05K 7/20918;
H02M 7/00; H02M 7/003; H02J 7/0042

See application file for complete search history.

(56) **References Cited**

U.S. PATENT DOCUMENTS

294,479 A 3/1884 Long
294,481 A 3/1884 Maize

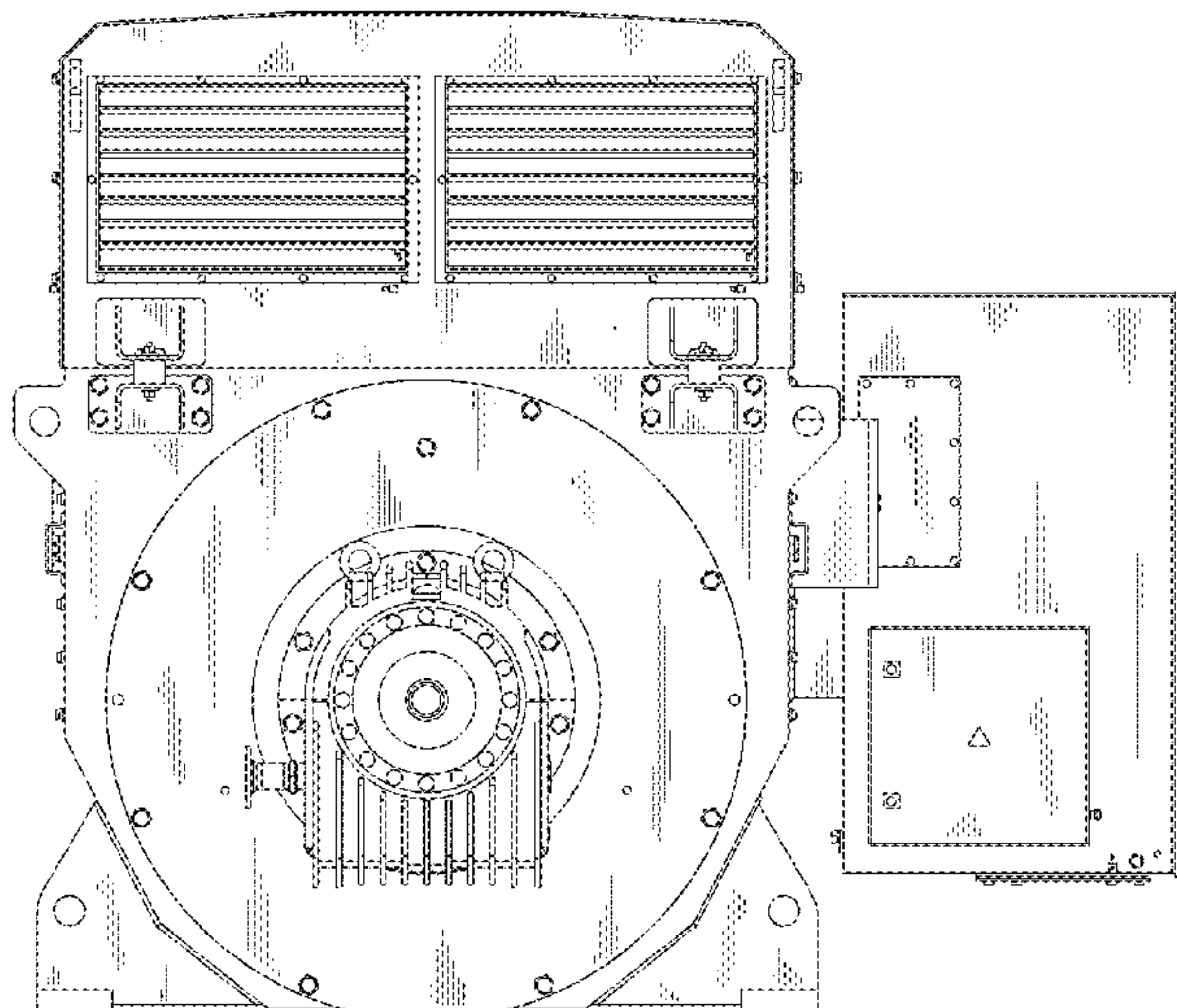
(57) **CLAIM**

The ornamental design for an electric generator, as shown
and described.

DESCRIPTION

FIG. 1 is a front elevation view of an electric generator,
showing our new design;
FIG. 2 is a rear elevation view thereof;
FIG. 3 is a top plan view thereof;
FIG. 4 is a bottom plan view thereof;
FIG. 5 is a right side elevation view thereof;
FIG. 6 is a left side elevation view thereof; and,
FIG. 7 is a top, front and right side perspective view thereof.

1 Claim, 7 Drawing Sheets



(56)

References Cited

U.S. PATENT DOCUMENTS

D609,180 S * 2/2010 Suzuki D13/110
 D704,137 S 5/2014 Shokrzadeh et al.
 D704,641 S 5/2014 Shokrzadeh et al.
 D710,301 S 8/2014 Ferro
 D711,319 S 8/2014 Wilcox
 D804,416 S * 12/2017 Dilley D13/110
 D806,030 S 12/2017 Pfefferkorn et al.
 D810,681 S * 2/2018 Ji D13/110
 D906,241 S * 12/2020 Franceschini D13/110
 D913,226 S * 3/2021 Tachibana D13/110
 D913,920 S * 3/2021 Tachibana D13/110

FOREIGN PATENT DOCUMENTS

KR 300834528 1/2016
 KR 0887738 8/2016

KR 300867738 8/2016
 TW D113082 9/2006
 TW D1130811 9/2006

OTHER PUBLICATIONS

Kato End Specs. May 23, 1994. Kato. <http://attachments.impcorporation.com/4926/Kato%20end%20specs..pdf>.
 “2009 Caterpillar 3512B HD Generator Set.” 2009. Imp Corporation, <https://www.impcorporation.com/en-us/inventory/details/7489/2009-caterpillar-3512b-hd-generator-set>.
 Toshiba et al; HA02004334/Toshiba Review; 1990.
 Indar et al; HC25006489/Wind Power Generation.
 HA16005486/M&E; Kogyo Chosakal Publishing Co., Ltd.; 2004.
 Lanzhou Electric Corporation et al; HD25000585/Y&YR Series Medium-sized High Voltage 10kV 3-phase Asynchronous Motors.
 TMA Electric Corporation et al; HN12012127/TOSMIGHTY TM 21 Series; 2010.

* cited by examiner

FIG. 1

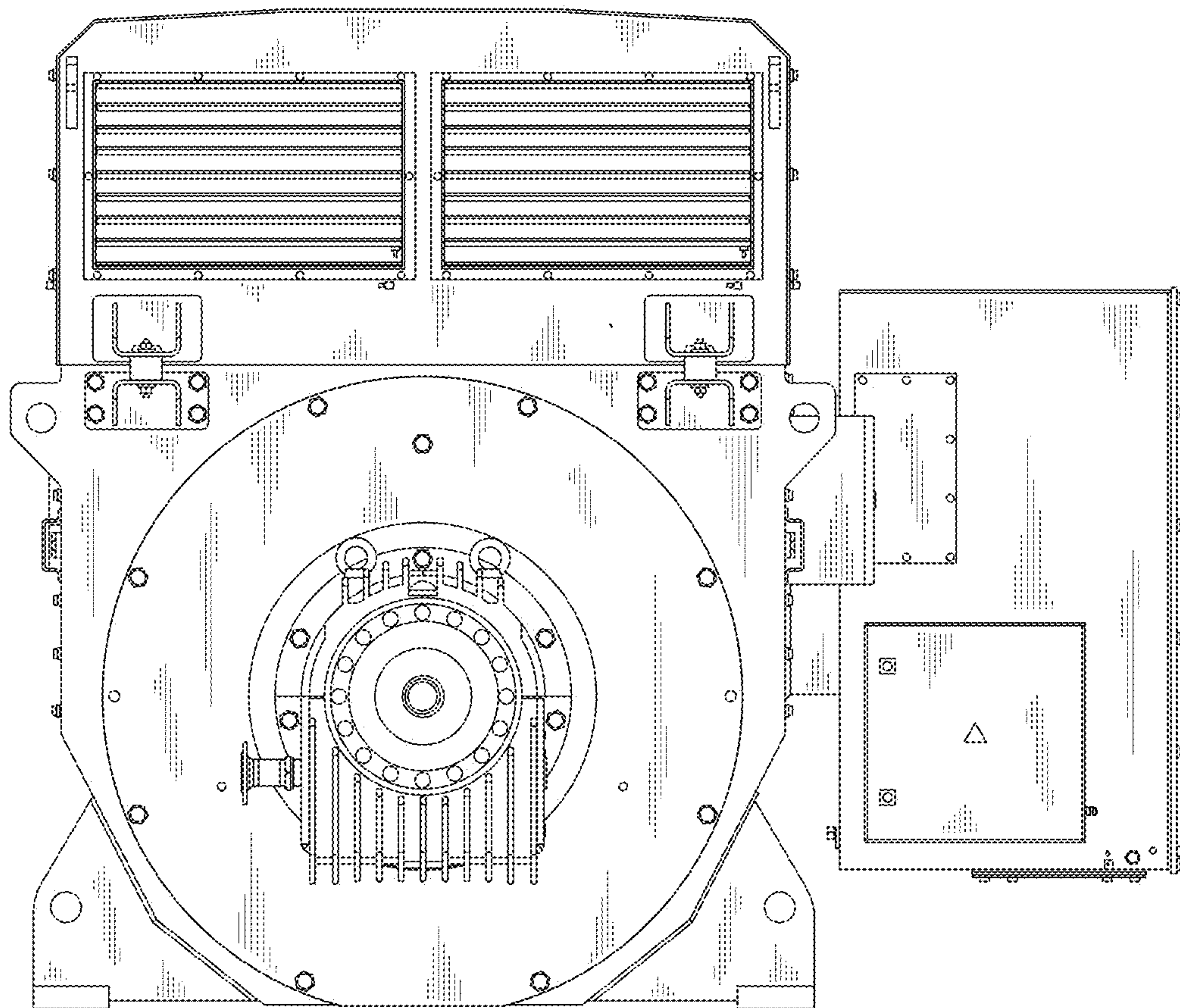


FIG. 2

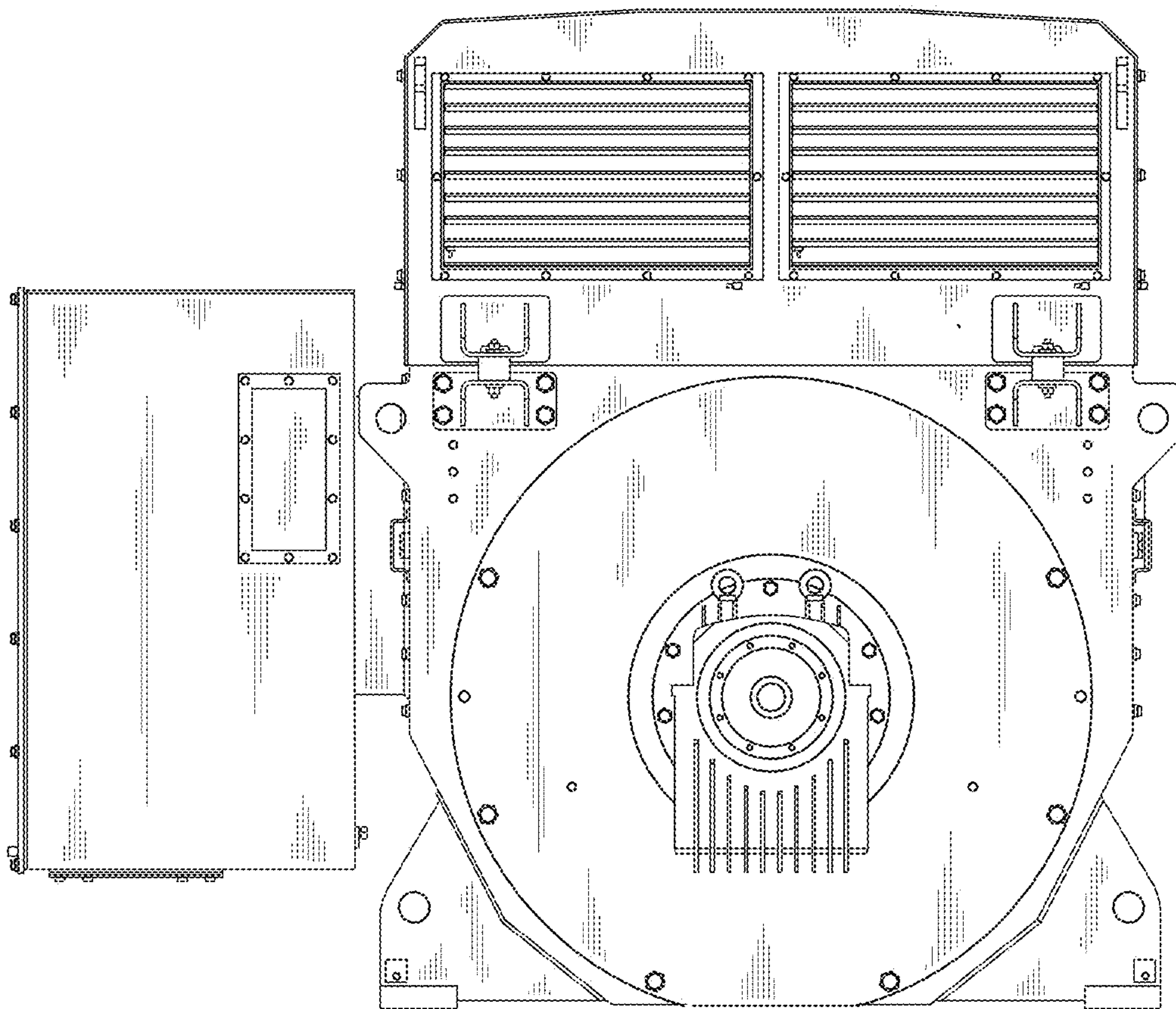


FIG. 3

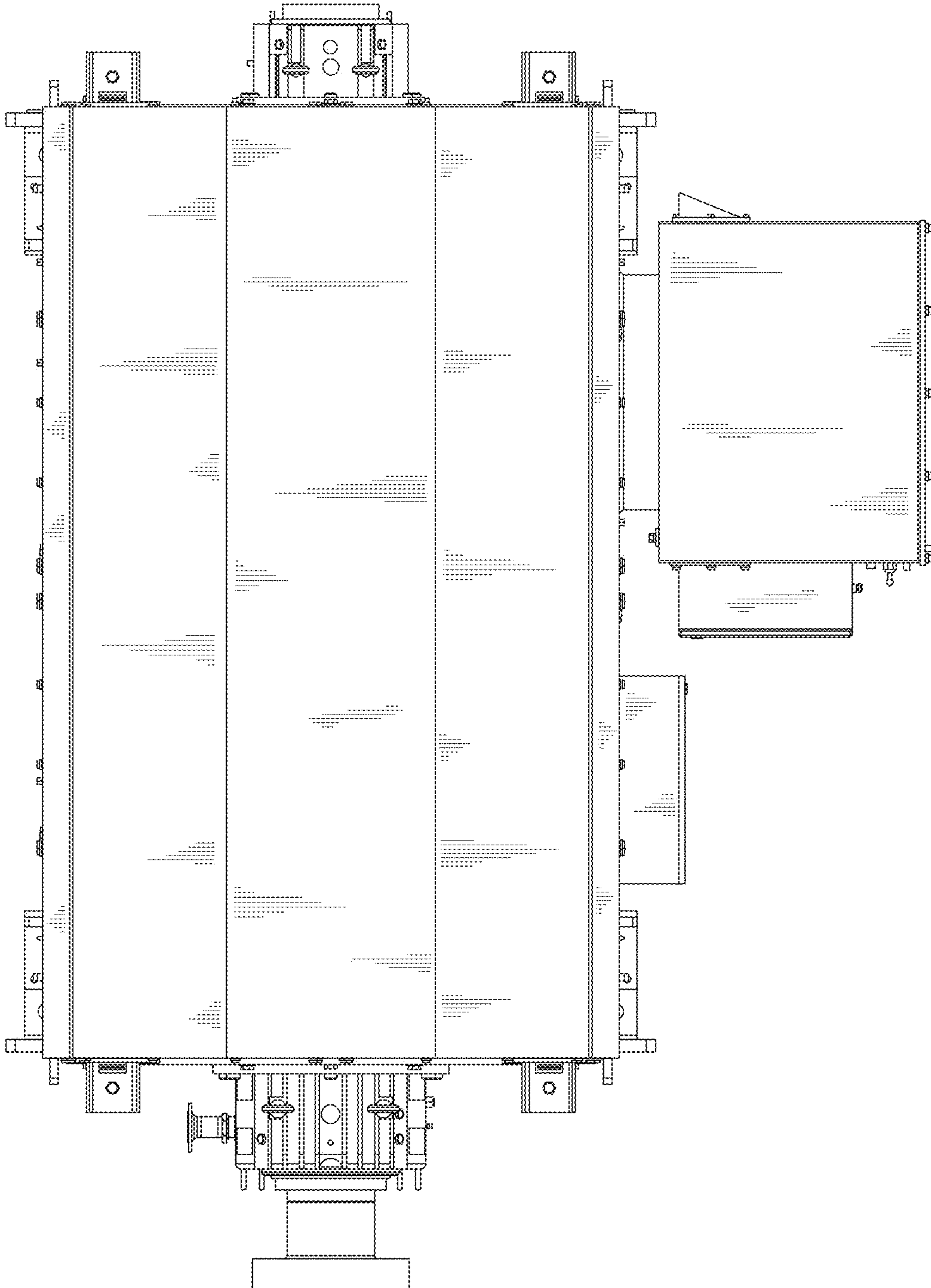


FIG. 4

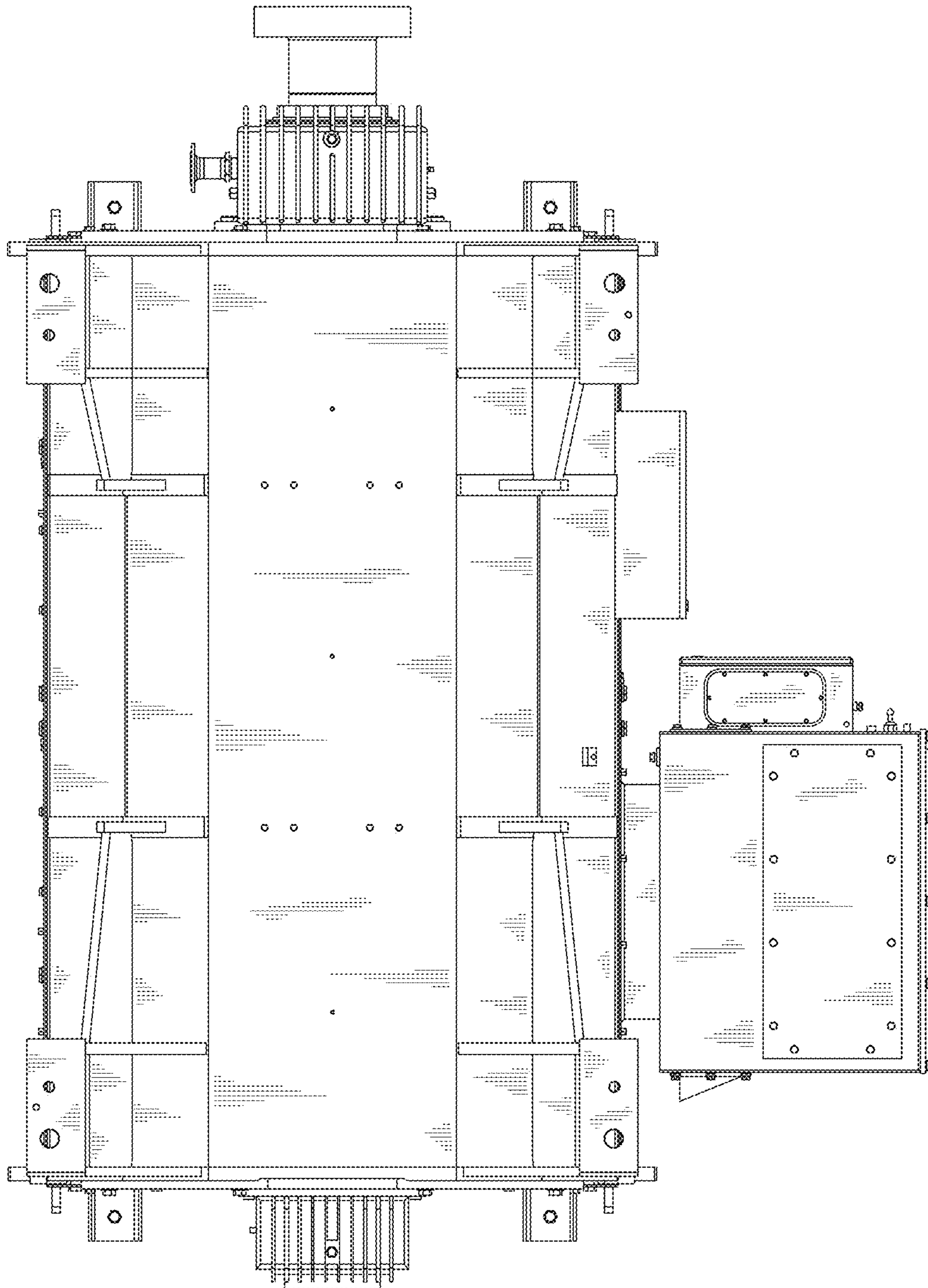


FIG. 5

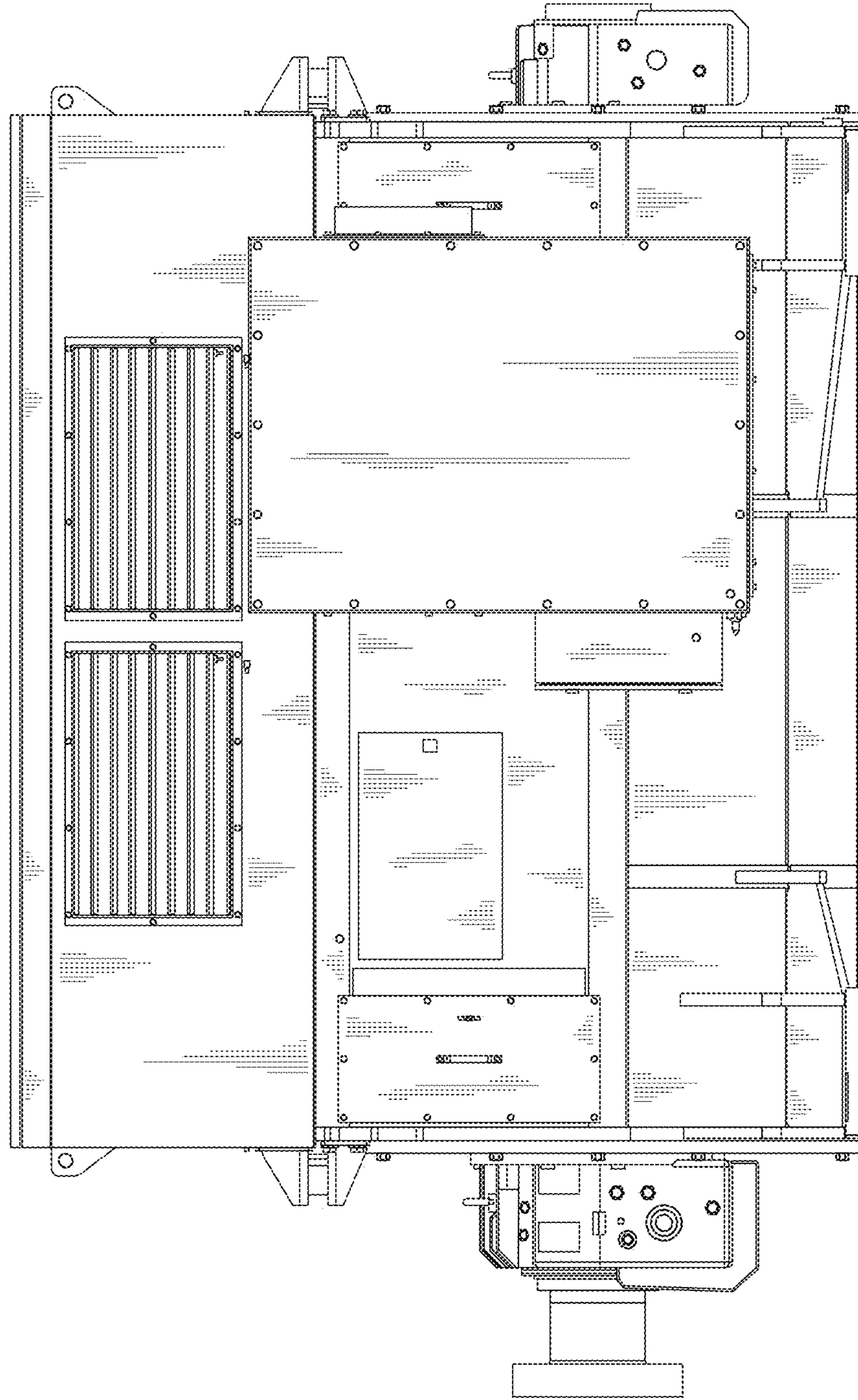


FIG. 6

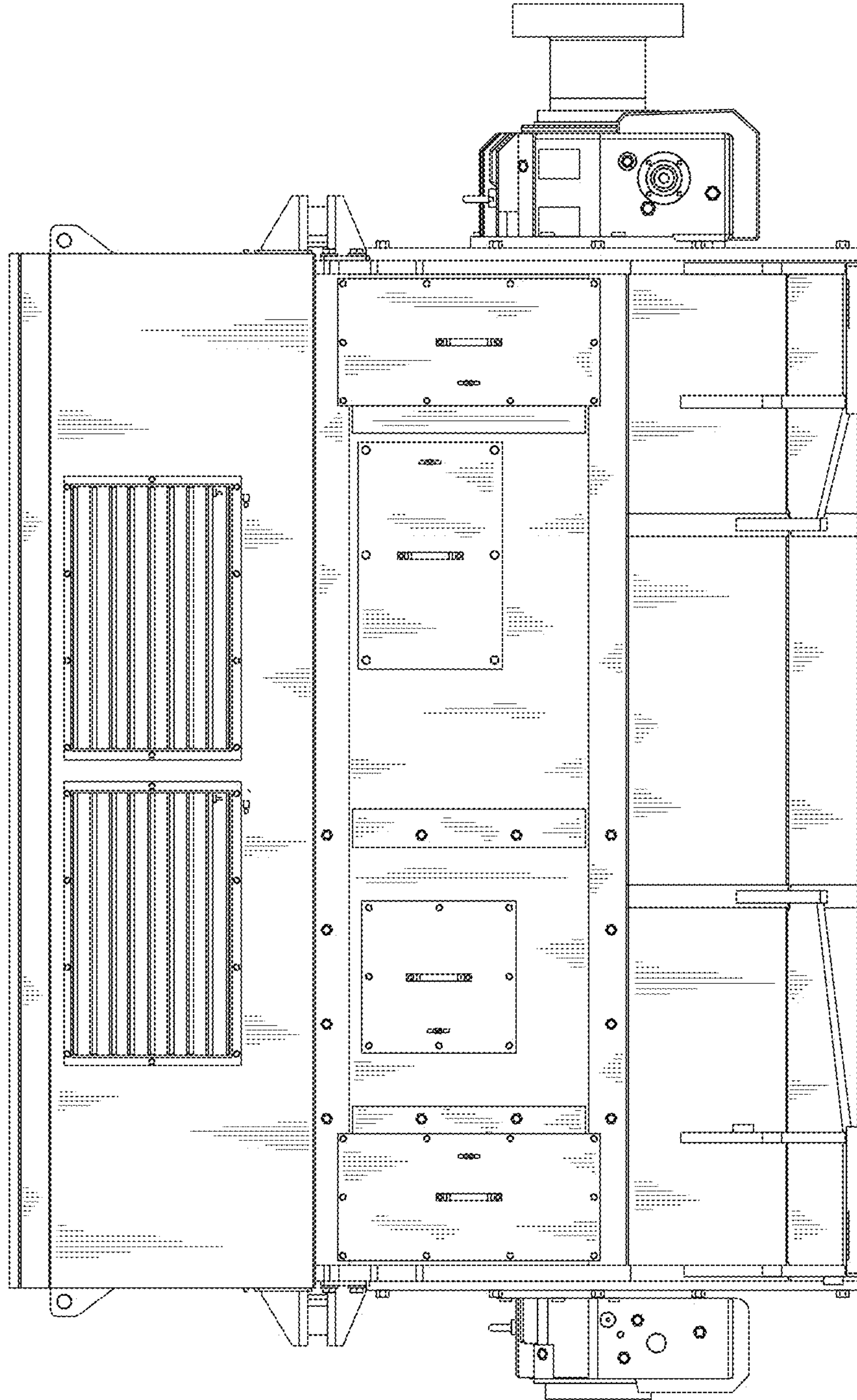


FIG. 7

