



US00D944201S

(12) **United States Design Patent**  
**Zeng**

(10) **Patent No.:** **US D944,201 S**

(45) **Date of Patent:** **\*\* Feb. 22, 2022**

(54) **ADAPTER**

(71) Applicant: **Shenzhen Lisite Trading Co., Ltd.**,  
Shenzhen (CN)

(72) Inventor: **Jiaqing Zeng**, Qinzhou (CN)

(73) Assignee: **Shenzhen Lisite Trading Co., Ltd.**,  
Shenzhen (CN)

(\*\*) Term: **15 Years**

(21) Appl. No.: **29/779,429**

(22) Filed: **Apr. 19, 2021**

(51) **LOC (13) Cl.** ..... **13-02**

(52) **U.S. Cl.**

USPC ..... **D13/110**

(58) **Field of Classification Search**

USPC ... D13/110, 103, 107, 108, 118, 123, 137.1,  
D13/137.4, 138.1, 147, 153, 162, 168,  
D13/169, 174, 177, 184, 199; D14/257,  
D14/358, 432, 433, 438

CPC ..... H05K 5/00; H05K 5/02; H05K 5/0247;  
H05K 7/00; H05K 7/20; H05K 7/20136;  
H05K 7/20154; H05K 7/209; H02M 7/00;  
H02M 7/003; H02M 2001/009; H02J  
7/0042; Y10T 307/367; Y02E 60/12;  
Y02E 60/50; H01M 2/02; H01M 2/025;  
H01M 2/0207; H01M 2/0212

See application file for complete search history.

(56) **References Cited**

**U.S. PATENT DOCUMENTS**

D416,233 S \* 11/1999 Tsai ..... D13/147  
D416,542 S \* 11/1999 Tsai ..... D13/147

D493,144 S \* 7/2004 Cheng ..... D13/147  
D535,623 S \* 1/2007 Hung-Way ..... D13/147  
D553,078 S \* 10/2007 So ..... D13/110  
D575,228 S \* 8/2008 So ..... D13/110  
D628,537 S \* 12/2010 Nagata ..... D13/147  
D638,799 S \* 5/2011 The ..... D13/154  
D671,491 S \* 11/2012 Zaslavsky ..... D13/110  
D757,649 S \* 5/2016 Pisharodi ..... D13/110  
D814,423 S \* 4/2018 Akana et al.  
D820,264 S \* 6/2018 Lai ..... D14/433  
D892,048 S \* 8/2020 Zhuang  
D899,377 S 10/2020 Akana et al.

\* cited by examiner

*Primary Examiner* — Derrick E Holland

(74) *Attorney, Agent, or Firm* — Jinggao Li

(57) **CLAIM**

The ornamental design for an adapter, as shown and described.

**DESCRIPTION**

FIG. 1 is a perspective view of an adapter showing my new design;

FIG. 2 is another perspective view thereof;

FIG. 3 is a front view thereof;

FIG. 4 is a rear view thereof;

FIG. 5 is a left side view thereof;

FIG. 6 is a right side view thereof;

FIG. 7 is a top plan view thereof; and,

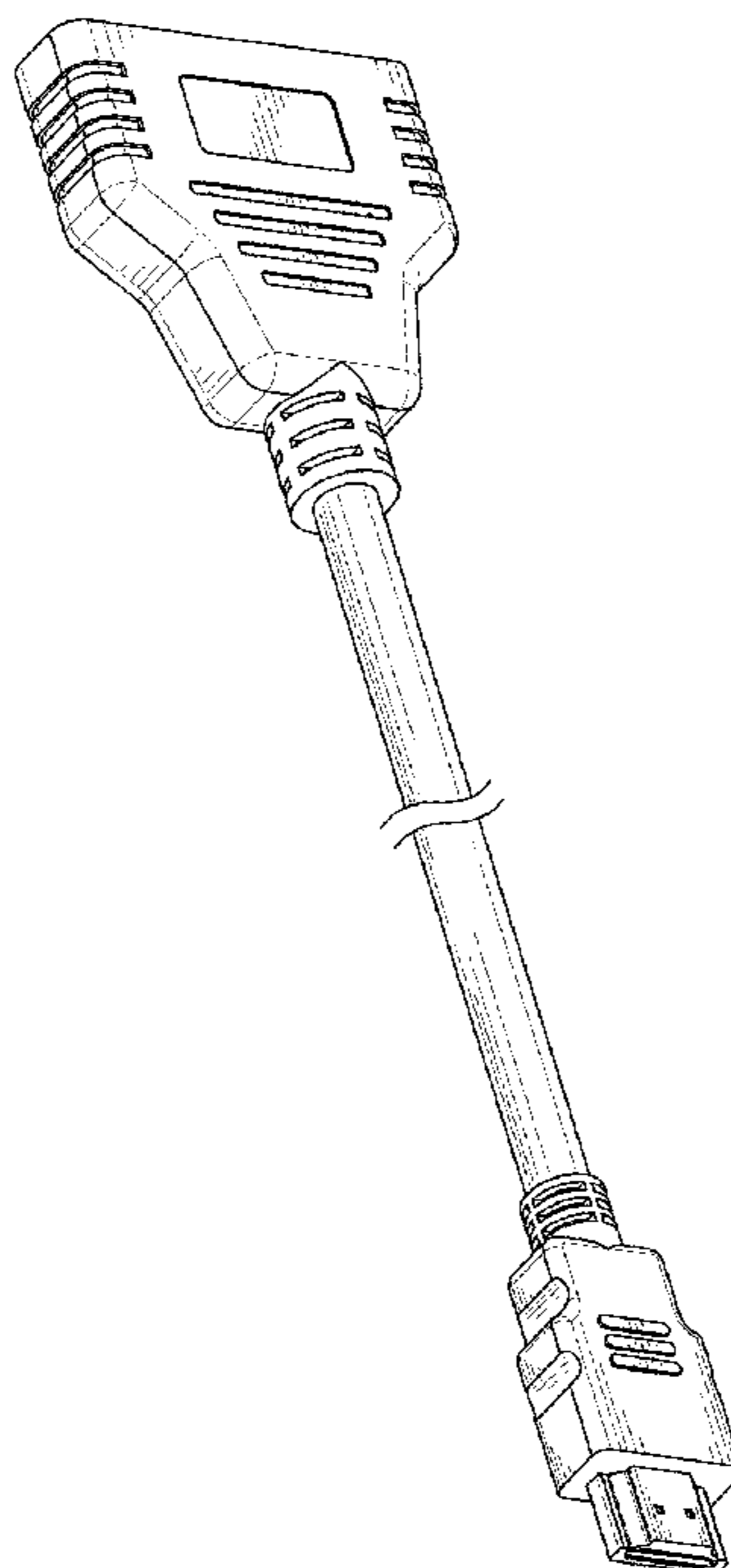
FIG. 8 is a bottom plan view thereof.

The broken lines depict portions of the adapter and form no part of the claimed design.

The adapter is shown with a symbolic break in its length.

The appearance of any portion of the article between the break lines forms no part of the claimed design.

**1 Claim, 8 Drawing Sheets**



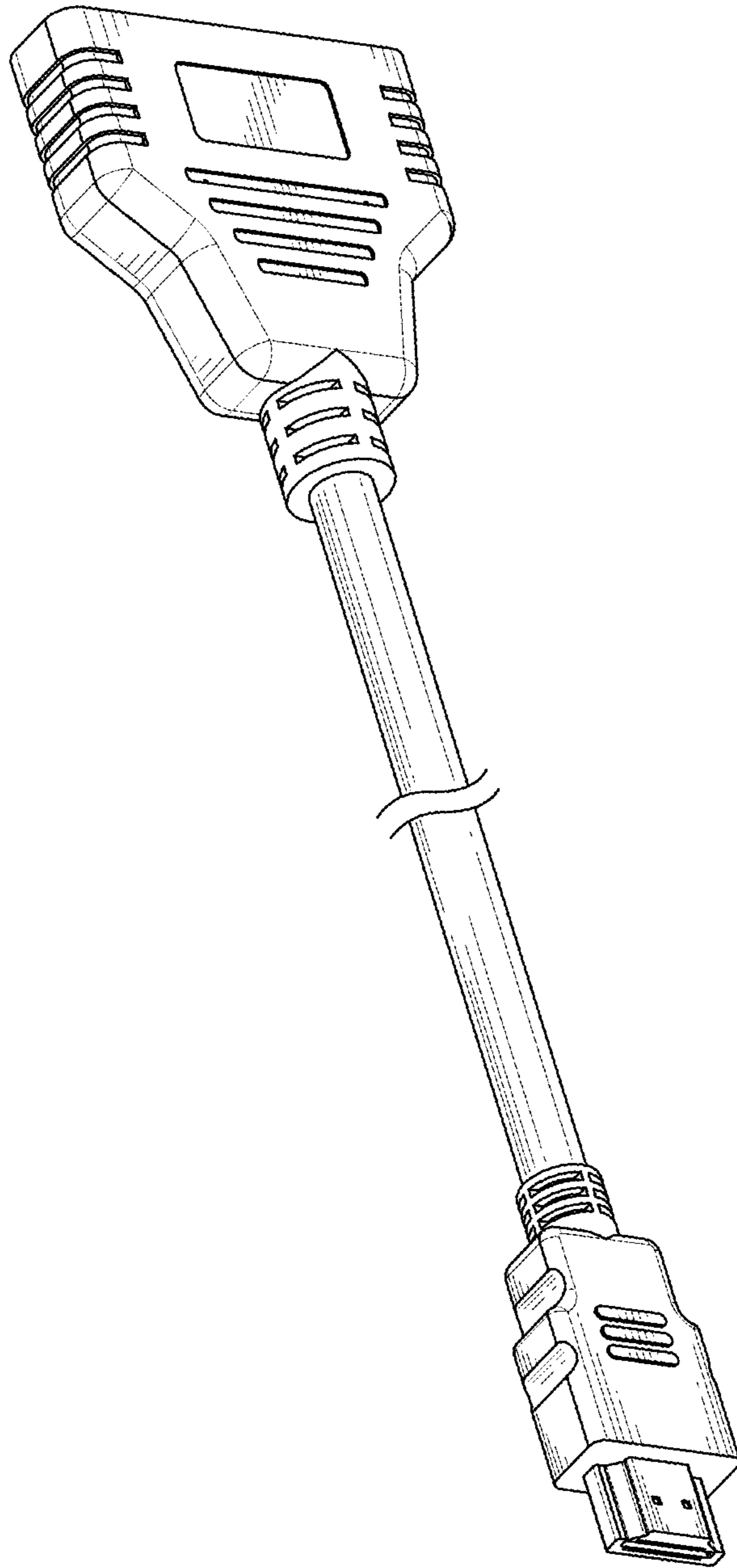


FIG. 1

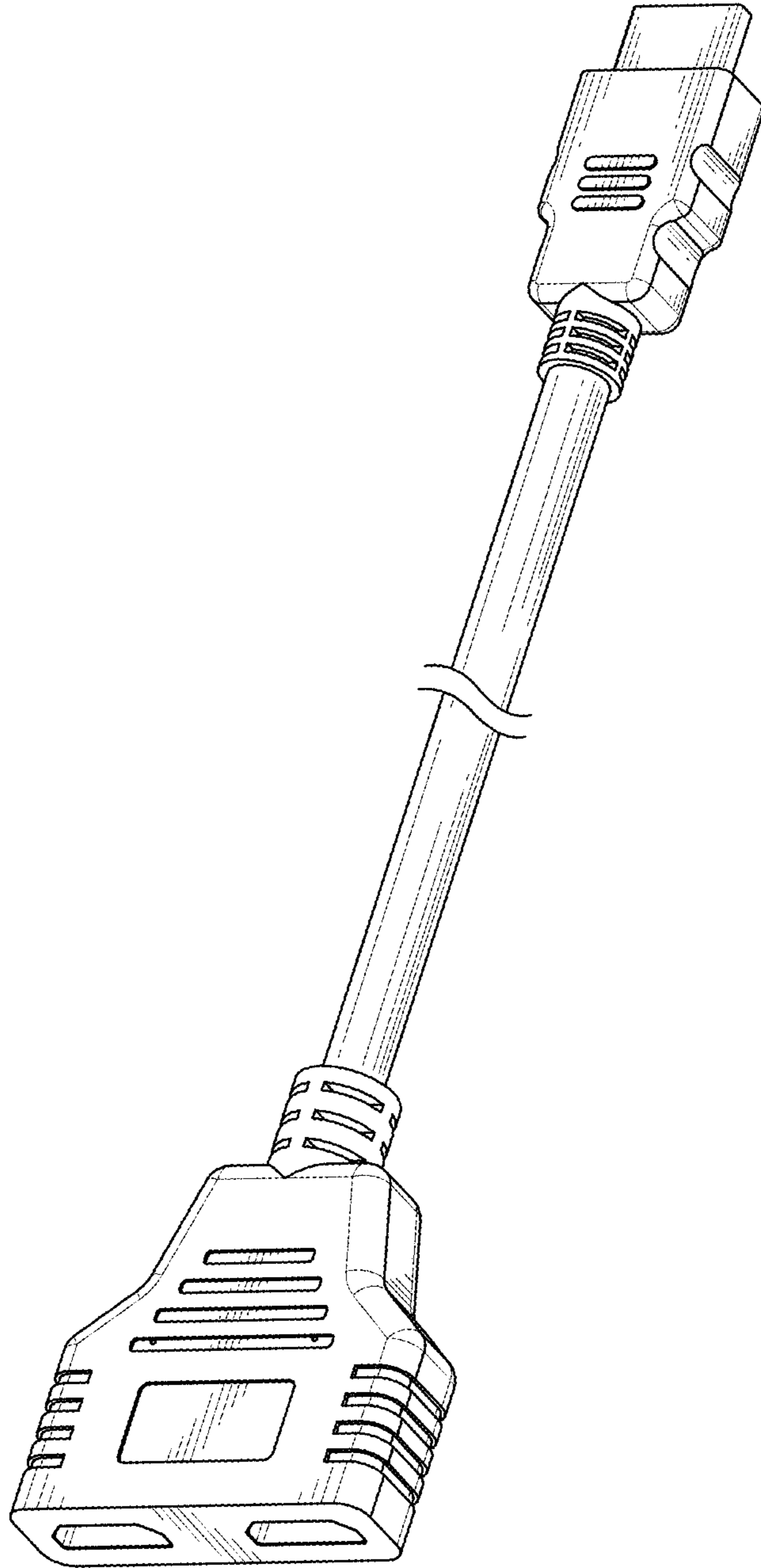


FIG. 2

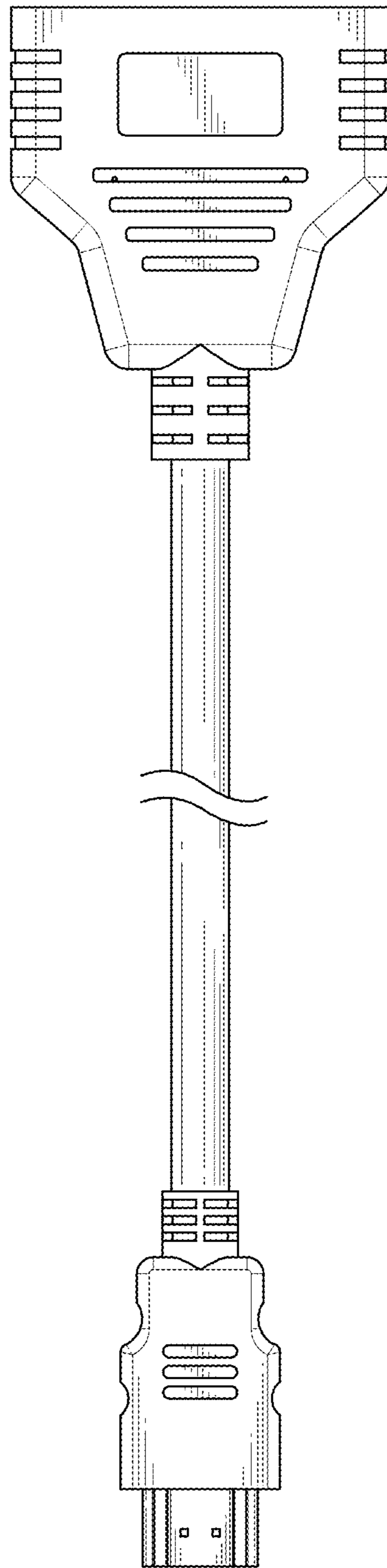


FIG. 3

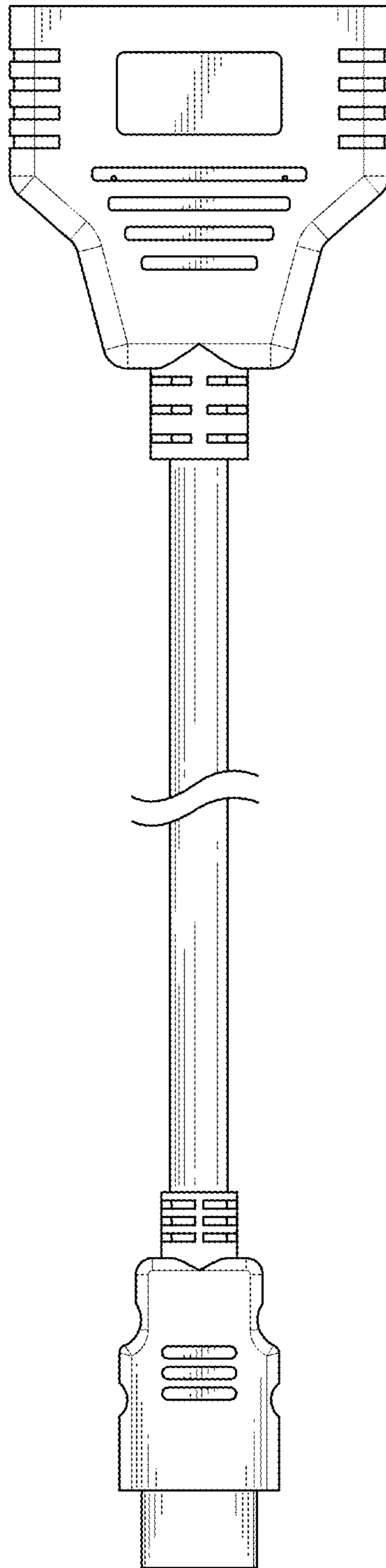


FIG. 4

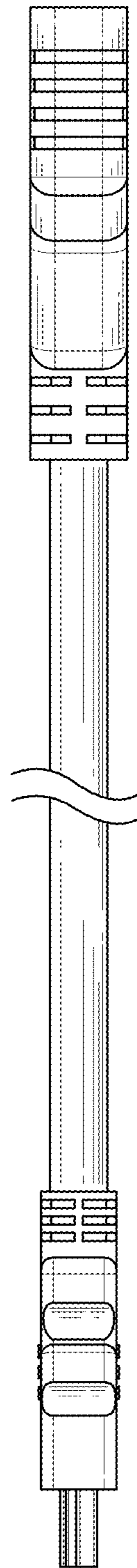


FIG. 5

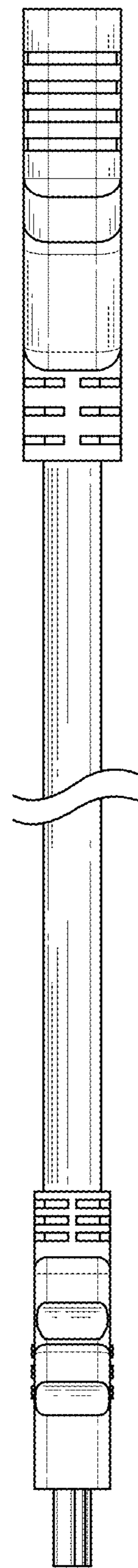


FIG. 6

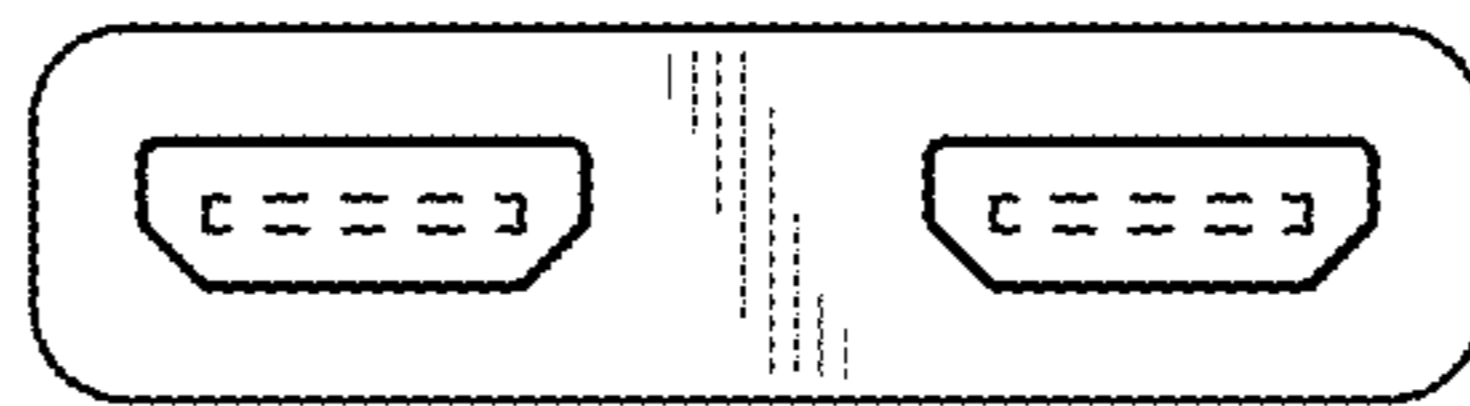


FIG. 7



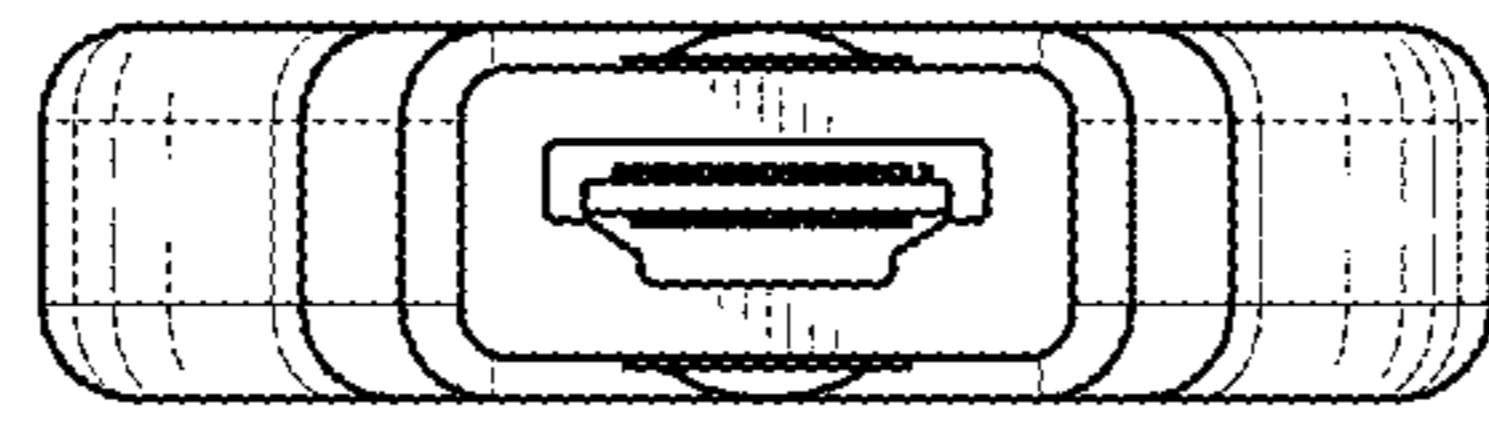


FIG. 8