



US00D944198S

(12) **United States Design Patent** (10) **Patent No.:** **US D944,198 S**  
**Wu** (45) **Date of Patent:** **\*\* Feb. 22, 2022**

(54) **WIRELESS CHARGER**  
(71) Applicant: **Guanyuan Shengye (Shenzhen) Intelligent Technology Co., Ltd.,**  
Shenzhen (CN)  
(72) Inventor: **Manfang Wu,** Guangdong Province  
(CN)  
(\*\*) Term: **15 Years**

(21) Appl. No.: **29/779,537**  
(22) Filed: **Apr. 20, 2021**  
(51) **LOC (13) Cl.** ..... **13-02**  
(52) **U.S. Cl.**  
USPC ..... **D13/108**  
(58) **Field of Classification Search**  
USPC ..... D13/107–110, 118–121, 184, 199;  
D14/251, 253, 432, 434, 447; D6/682  
CPC ..... H02J 7/025; H02J 7/0026; H02J 7/0042;  
H02J 7/0044; H02J 7/0045; H02J 7/0047;  
H02J 7/0013; H02J 7/0003; H02J 50/10;  
H02J 50/12  
See application file for complete search history.

(56) **References Cited**  
U.S. PATENT DOCUMENTS  
D549,232 S \* 8/2007 Li ..... D14/434  
D762,650 S \* 8/2016 Dang ..... D14/434  
D788,094 S \* 5/2017 Kim ..... D14/253  
D788,762 S \* 6/2017 Kim ..... D14/253  
D804,483 S \* 12/2017 Minoli ..... D14/434  
D816,656 S \* 5/2018 Kim ..... D14/253  
D816,657 S \* 5/2018 Kim ..... D14/253  
D884,622 S \* 5/2020 Huang ..... D13/108  
D893,422 S \* 8/2020 Xiao ..... D13/108  
D894,890 S \* 9/2020 Lederer ..... D14/253  
D904,297 S 12/2020 Zhao

D920,237 S \* 5/2021 Huang ..... D13/108  
D920,238 S \* 5/2021 Xiao ..... D13/108  
D920,240 S \* 5/2021 Xiao ..... D13/108  
D920,241 S \* 5/2021 Xiao ..... D13/108  
D926,126 S \* 7/2021 DeMaio ..... D13/108  
D930,583 S \* 9/2021 Lee ..... D13/108  
D931,208 S \* 9/2021 Liao ..... D13/108  
D931,209 S \* 9/2021 Hahn ..... D13/108

**OTHER PUBLICATIONS**

“Quezqa Wireless Charging Stand—3 in 1 Fast Wireless Charger—Qi Charging Station Dock Compatible with AirPods Pro Apple Watch 7 SE 6 5 4 3 2 iPhone 13 Pro Max 12 11 Pro Max Xs X with QC3.0 Adapter”, Amazon.com, first available Dec. 7, 2019. Retrieved from the internet: <<https://www.amazon.com/Quezqa-Wireless-Charging-Stand-Compatible/dp/B082GBHYVX>>. (Year: 2019).\*

(Continued)

*Primary Examiner* — Rosemary K Tarcza

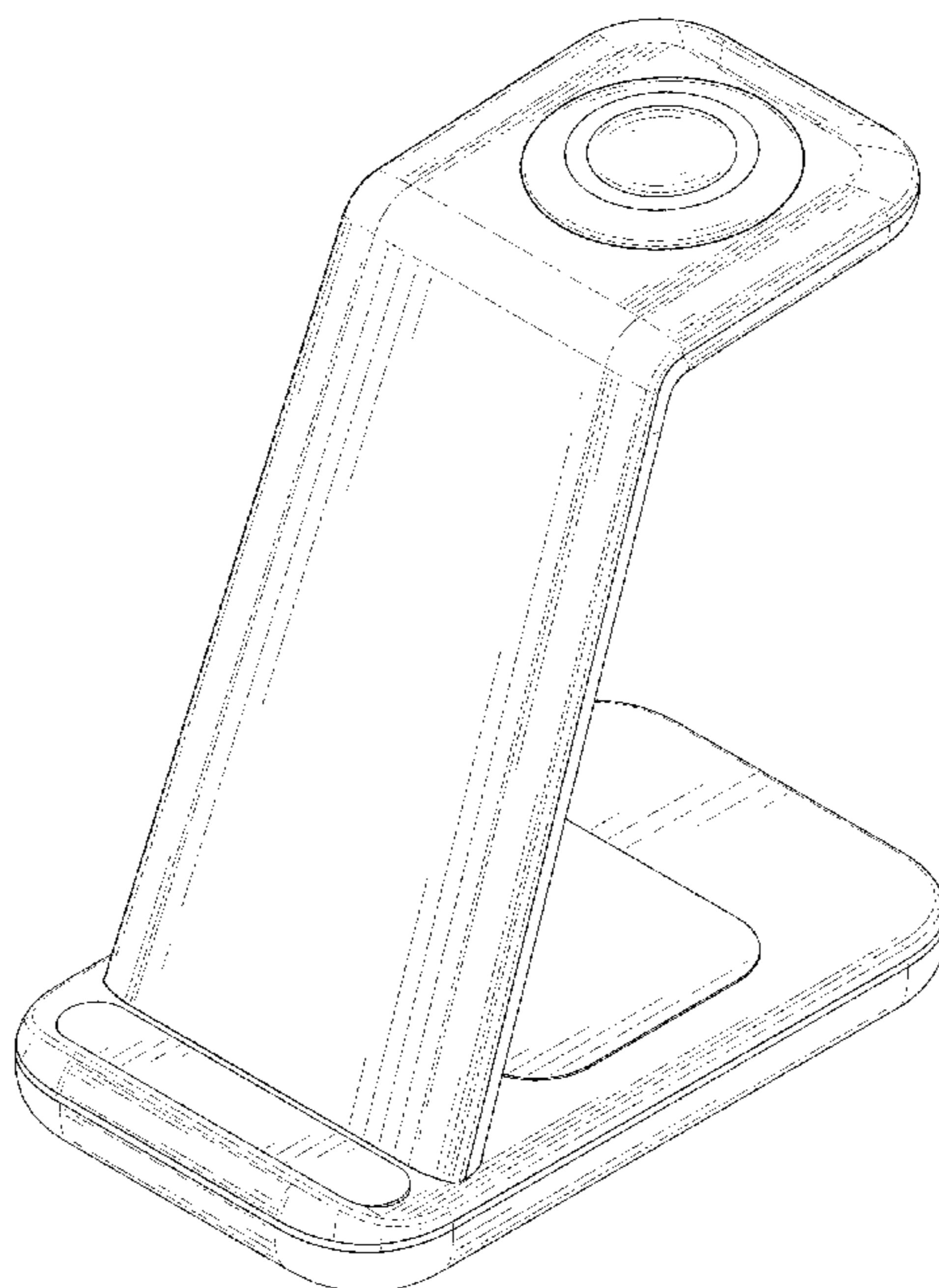
(57) **CLAIM**

The ornamental design for a wireless charger, as shown and described.

**DESCRIPTION**

FIG. 1 is a front and top perspective view of a wireless charger, showing my new design;  
FIG. 2 is a rear and bottom perspective view thereof;  
FIG. 3 is a front elevation view thereof;  
FIG. 4 is a rear elevation view thereof;  
FIG. 5 is a left side elevation view thereof;  
FIG. 6 is a right side elevation view thereof;  
FIG. 7 is a top plan view thereof; and,  
FIG. 8 is a bottom plan view thereof.  
The broken lines in the figures illustrate portions of the wireless charger that form no part of the claimed design.

**1 Claim, 8 Drawing Sheets**



(56)

**References Cited**

OTHER PUBLICATIONS

“HATALKIN 3 in 1 Wireless Charging Station Compatible for Apple Products Multiple Devices Apple Watch 7 SE 6 5 4 3 2 AirPods 3 / Pro/2 iPhone 13 12 11 Pro Max/X/XS/XR/8 Plus Fast Wireless Charger Stand”, Amazon.com, first available Jul. 24, 2020. Retrieved from the internet: <<https://www.amazon.com/HATALKIN-Wireless-Charging-Compatible-Products/dp/B08K8DNVB4/>>. (Year: 2020).\*

\* cited by examiner

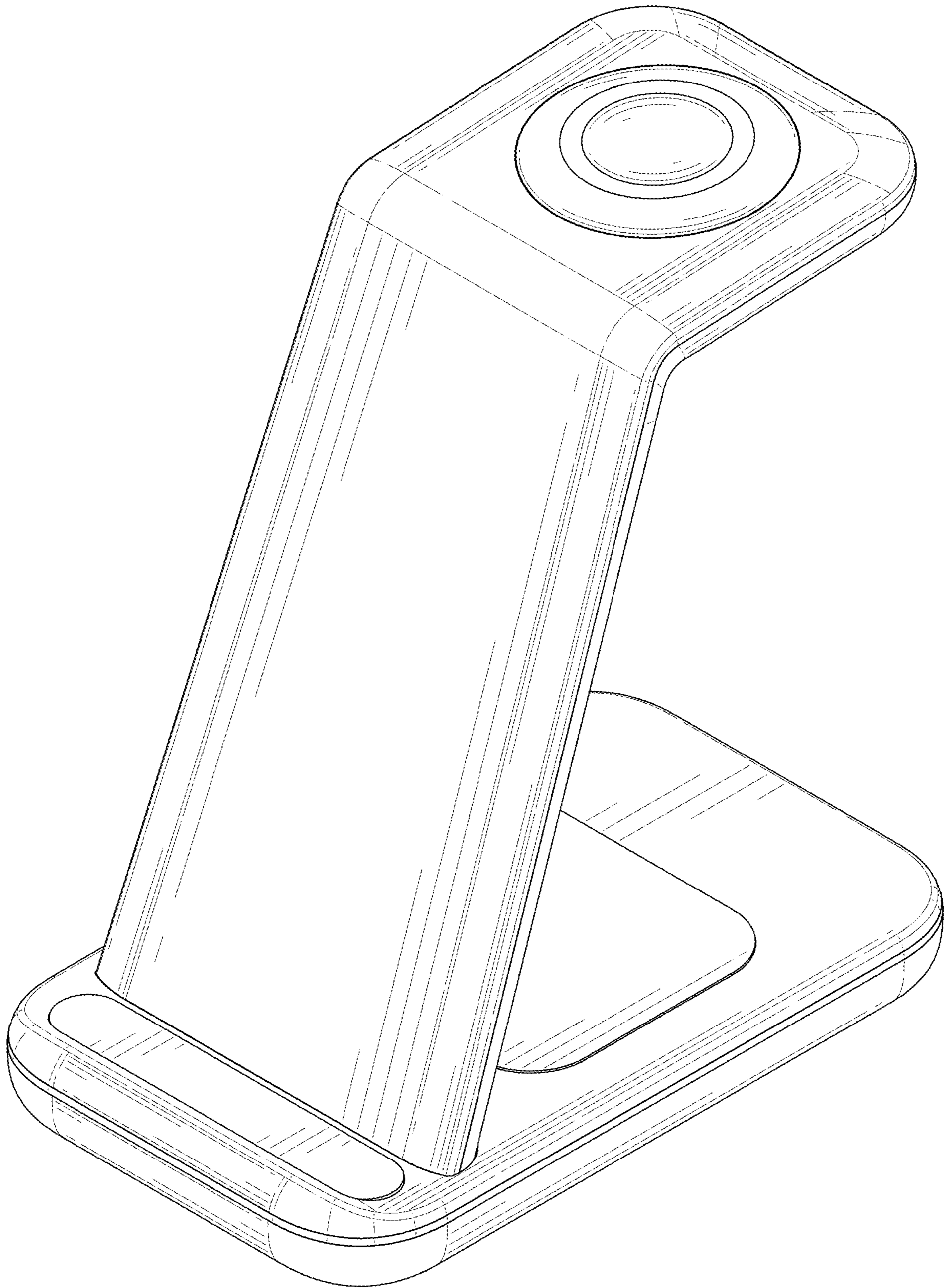


FIG. 1

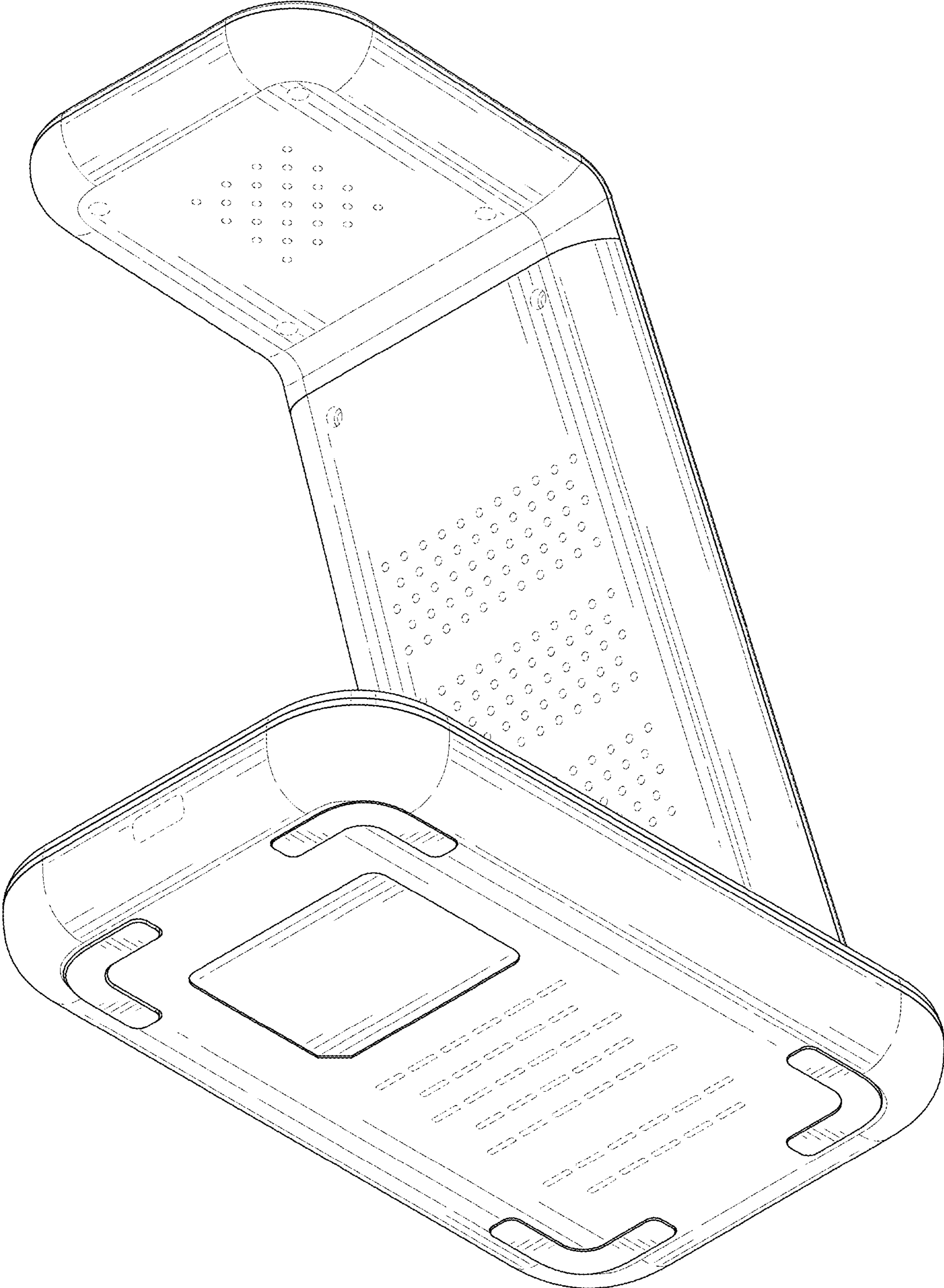


FIG. 2

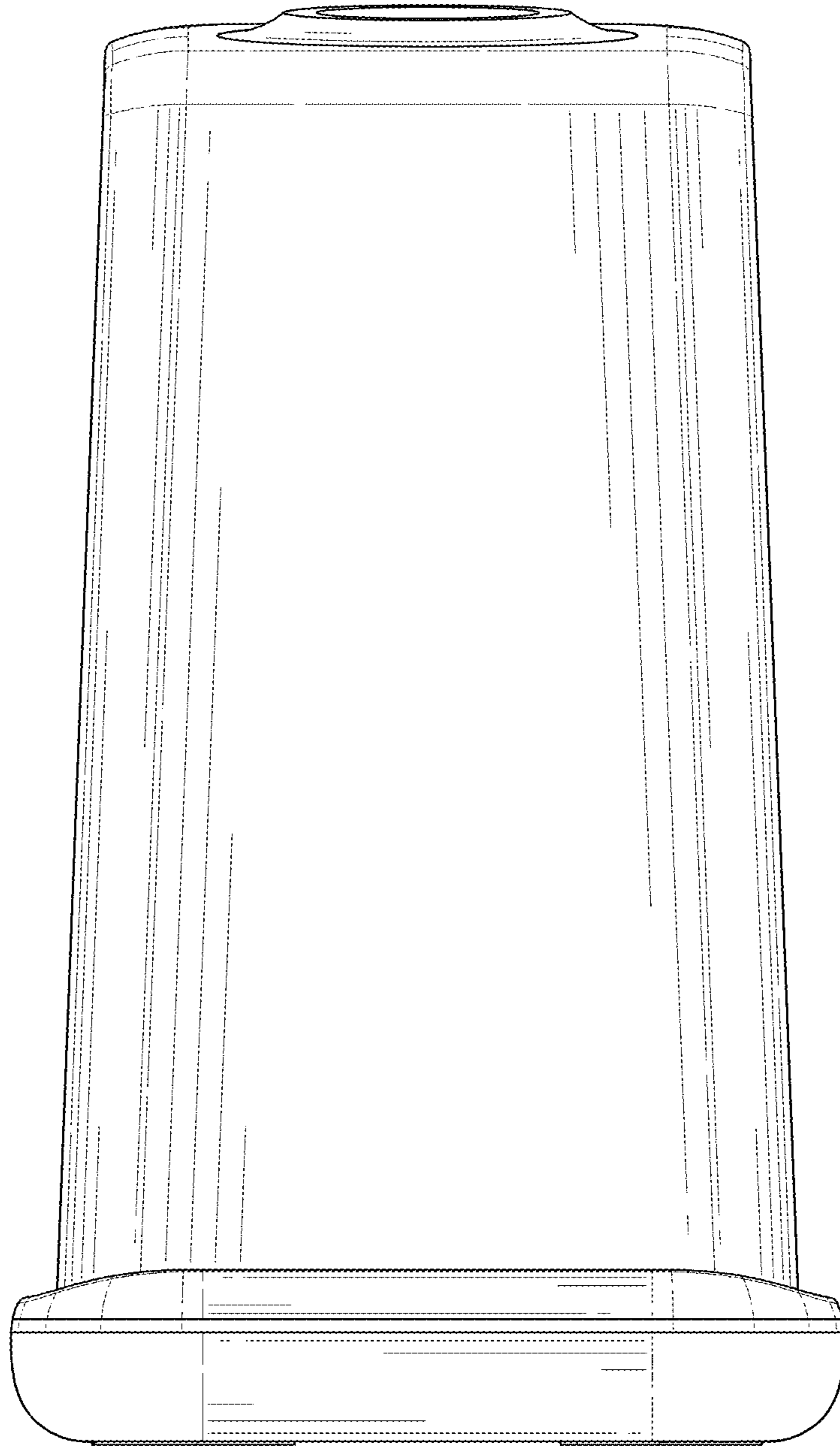


FIG. 3

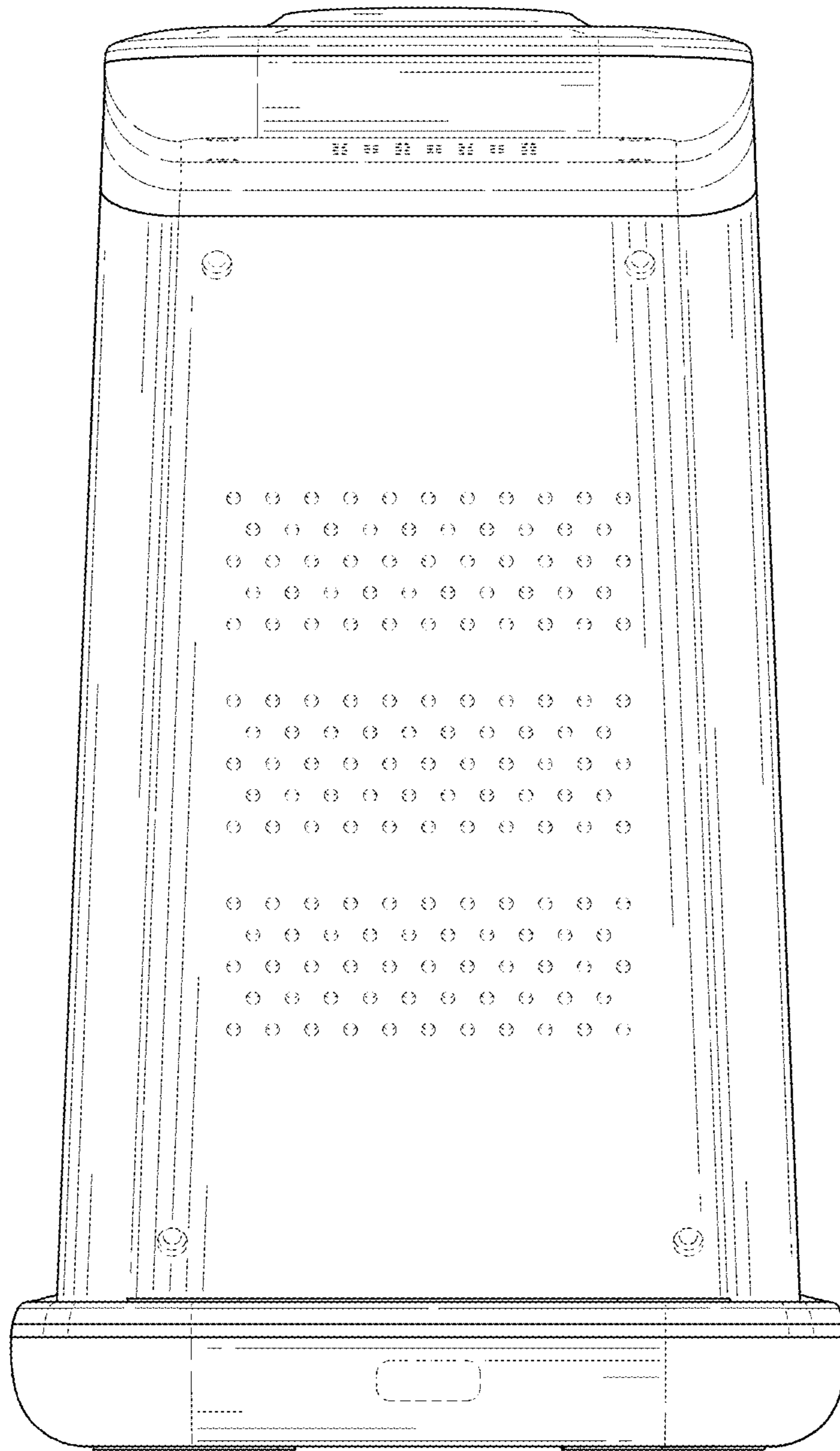


FIG. 4



FIG. 5

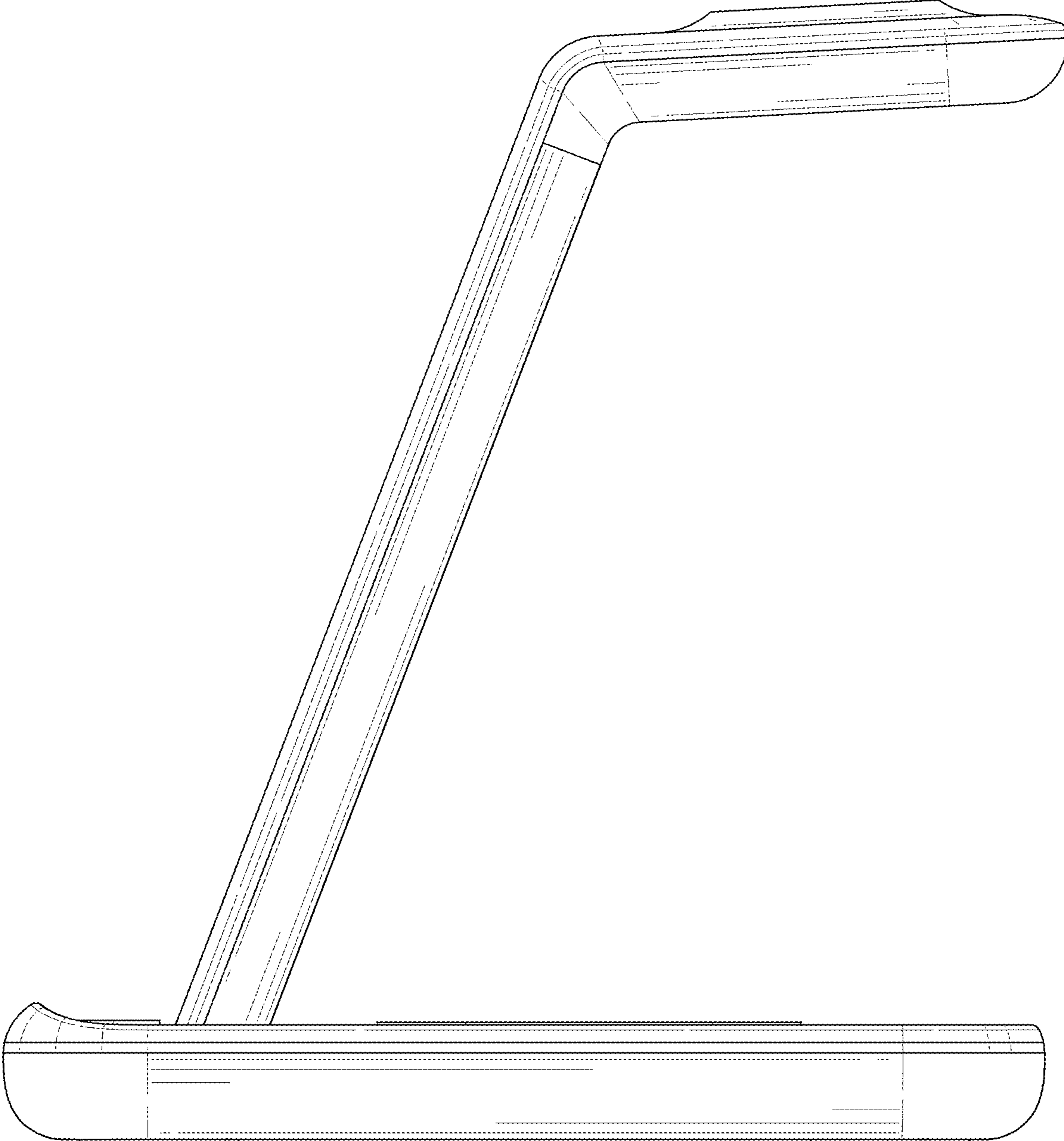


FIG. 6



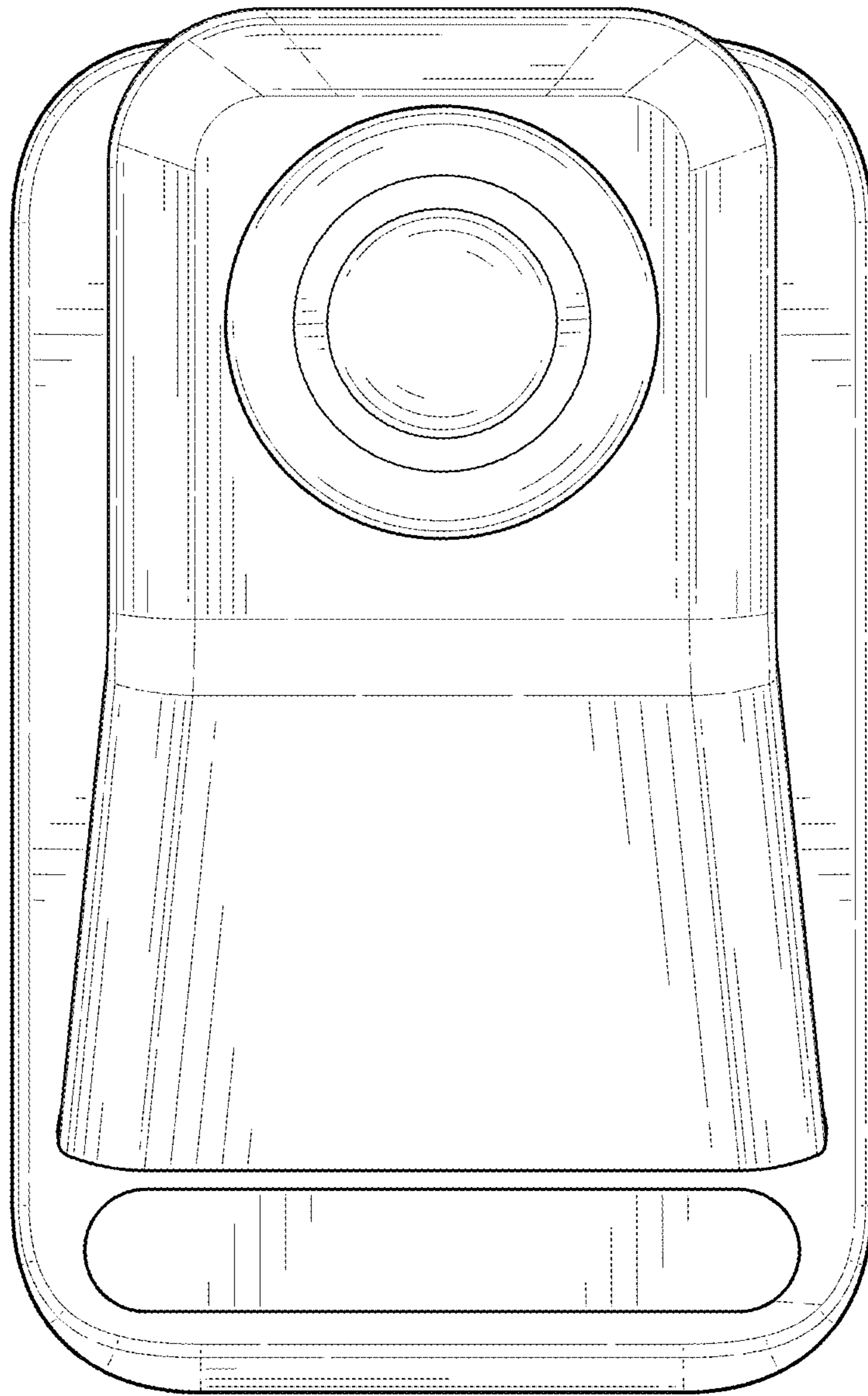


FIG. 7

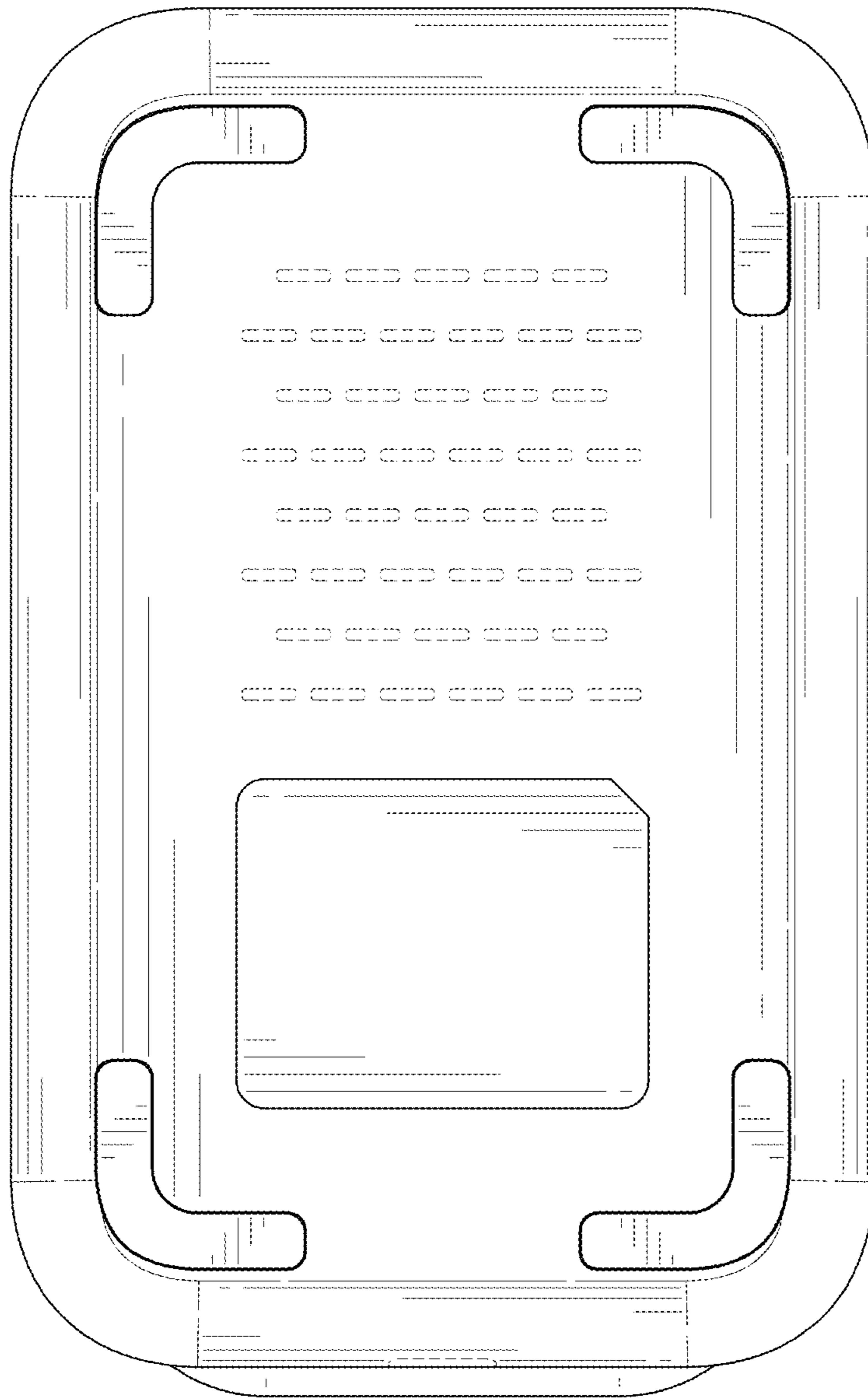


FIG. 8