



US00D944196S

(12) **United States Design Patent**
Feng et al.

(10) **Patent No.:** **US D944,196 S**

(45) **Date of Patent:** **** Feb. 22, 2022**

(54) **POWER BANK**

H01M 10/46; H01M 10/425; H01M 10/465; H01M 10/482; H01M 2200/30; H01M 2250/30; H01M 2250/40; B60L 11/182

(71) Applicant: **LUXSHARE PRECISION INDUSTRY CO., LTD.**, Shenzhen (CN)

See application file for complete search history.

(72) Inventors: **Yun Feng**, New Territories (HK); **Guo-Qin Huang**, New Territories (HK); **Qi-Jun Yin**, New Territories (HK); **Shuang-Shuang Chen**, New Territories (HK)

(56) **References Cited**

U.S. PATENT DOCUMENTS

D647,908 S * 11/2011 Chen D14/434
D742,311 S * 11/2015 Miller D13/108
D844,560 S * 4/2019 Miller D13/108
D852,738 S * 7/2019 Backett D13/108

(Continued)

(73) Assignee: **LUXSHARE PRECISION INDUSTRY CO., LTD.**, Shenzhen (CN)

FOREIGN PATENT DOCUMENTS

(**) Term: **15 Years**

CN 208316360 U 1/2019
CN 209233518 U 8/2019
TW M584568 U 10/2019

(21) Appl. No.: **29/749,051**

Primary Examiner — Nathaniel D. Buckner

(22) Filed: **Sep. 2, 2020**

(74) *Attorney, Agent, or Firm* — Birch, Stewart, Kolasch & Birch, LLP

(30) **Foreign Application Priority Data**

Mar. 19, 2020 (CN) 202030094046.0

(51) **LOC (13) Cl.** **13-02**

(57) **CLAIM**

(52) **U.S. Cl.**
USPC **D13/108**; D13/103

The ornamental design for a power bank, as shown and described.

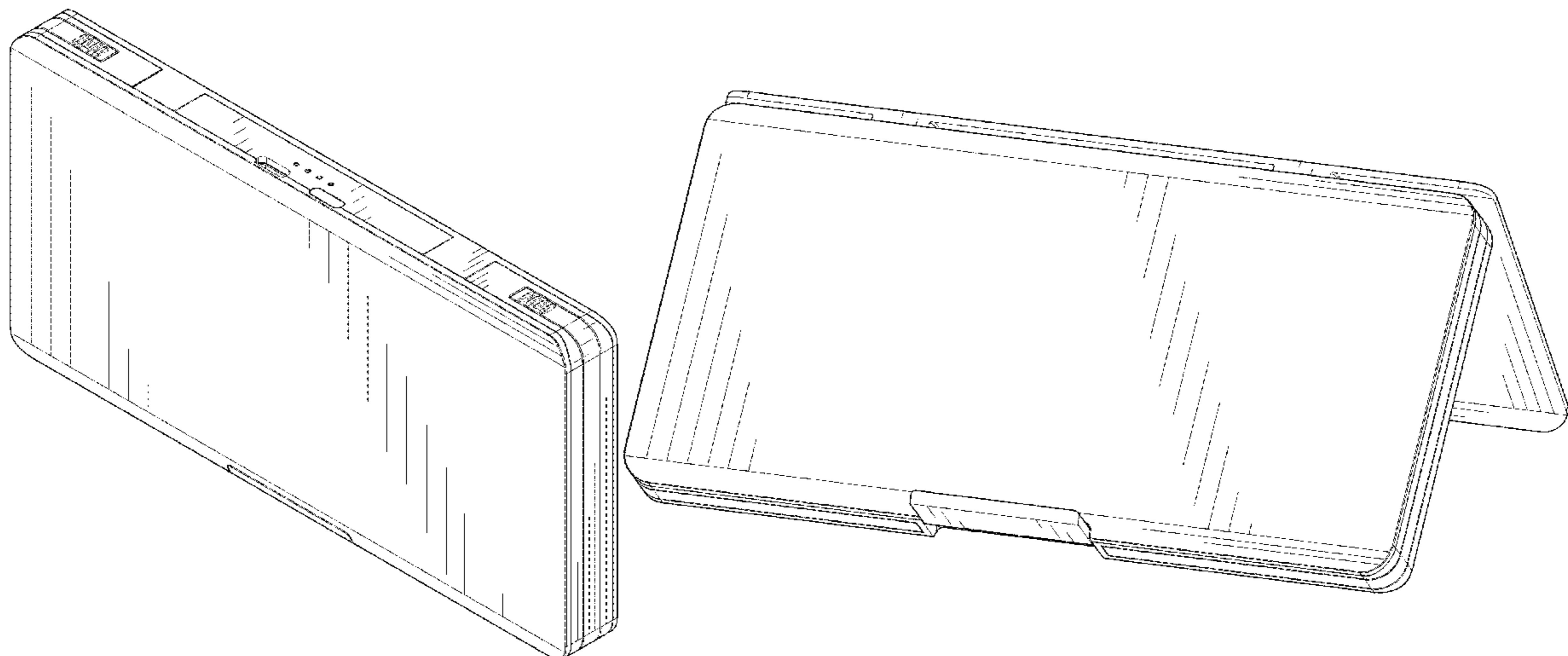
(58) **Field of Classification Search**
USPC D13/102–110, 118–119, 184, 199;
D14/251, 253, 432, 434, 356

DESCRIPTION

CPC Y02E 60/10; Y02E 60/12; Y02E 60/122; Y02E 60/124; Y02E 60/50; Y02T 90/14; Y02T 90/122; Y02T 90/128; Y02T 90/163; H02J 7/025; H02J 7/0042; H02J 7/0044; H02J 7/0045; H02J 7/0013; H02J 7/0003; H02J 7/00; H02J 7/0011; H02J 7/0054; H02J 7/0055; H02J 7/0057; H02J 2007/0062; H01F 38/14; H01R 13/6675; H01M 2/02; H01M 2/022; H01M 2/0202; H01M 2/0207; H01M 2/0212; H01M 2/1061; H01M 2/1022; H01M 2/1055; H01M 2/1066; H01M 2/105; H01M 2/20; H01M 2/204; H01M 2/206; H01M 10/44;

FIG. 1 is a top perspective view of a power bank showing our new design;
FIG. 2 is a front elevational view thereof;
FIG. 3 is a rear elevational view thereof;
FIG. 4 is a left side elevational view thereof;
FIG. 5 is a right side elevational view thereof;
FIG. 6 is a top plan view thereof;
FIG. 7 is a bottom plan view thereof; and,
FIG. 8 is a perspective schematic view of a power bank illustrating in one using position in accordance with the present design.

1 Claim, 6 Drawing Sheets



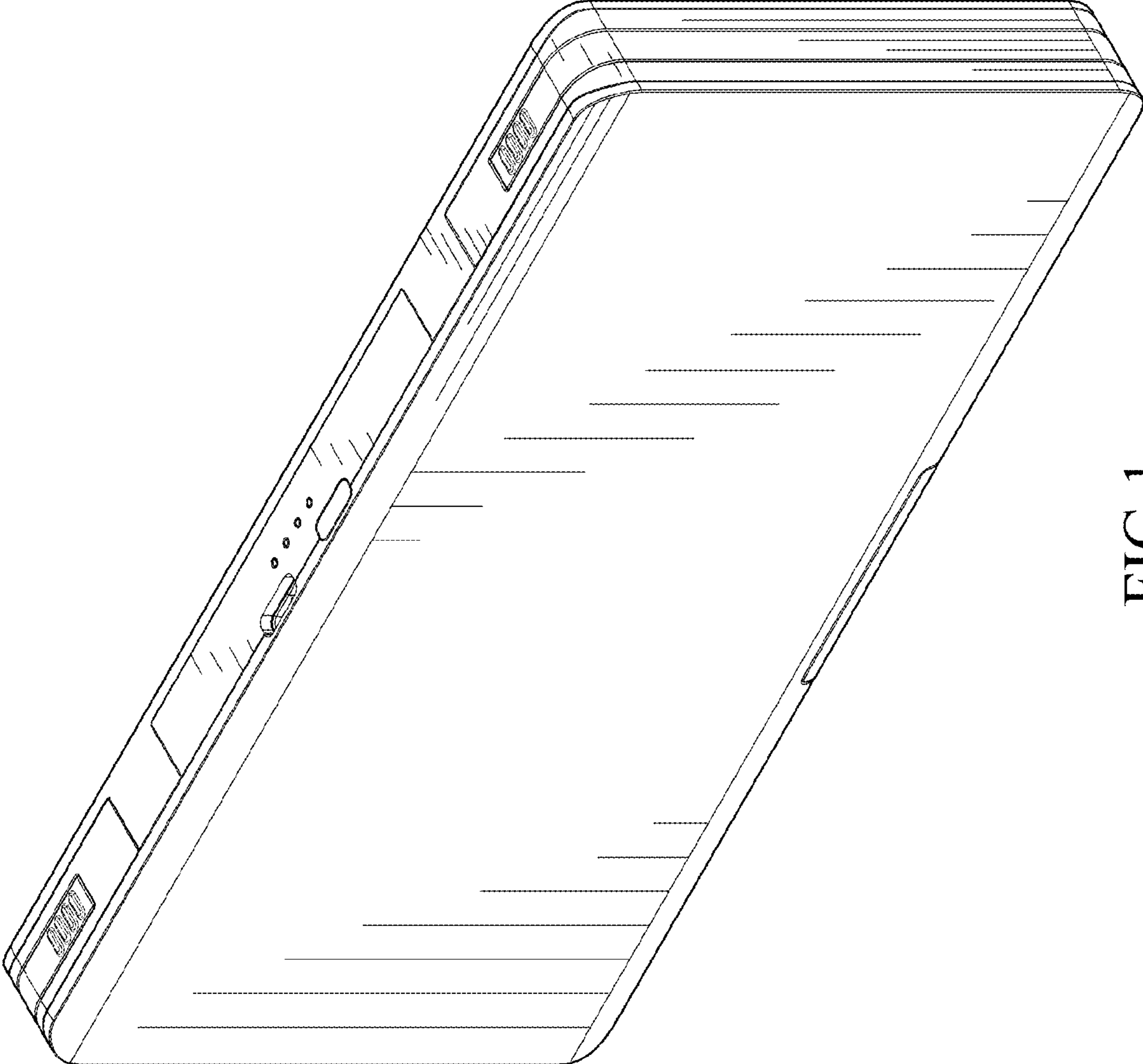


FIG.1

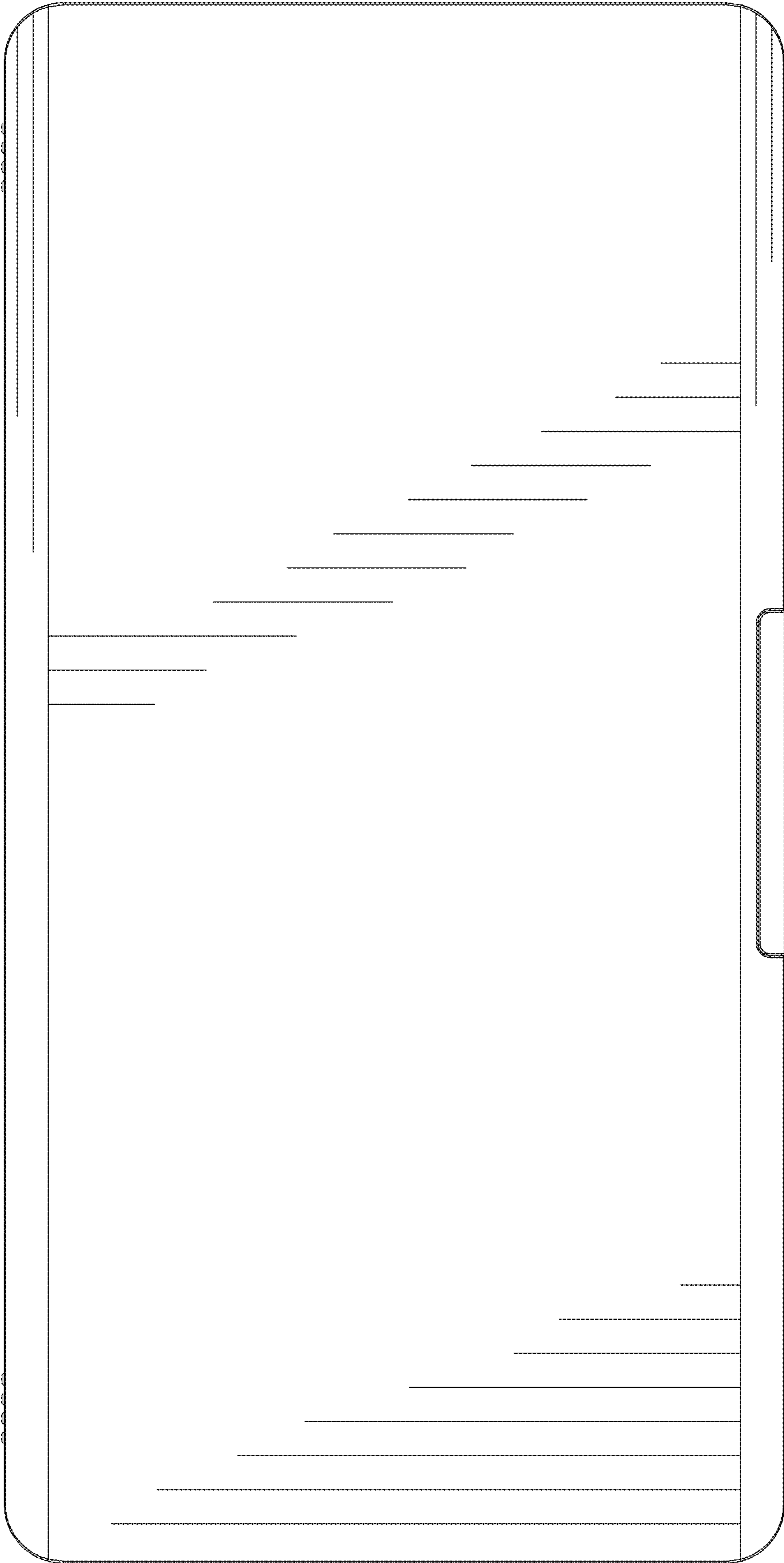


FIG.2

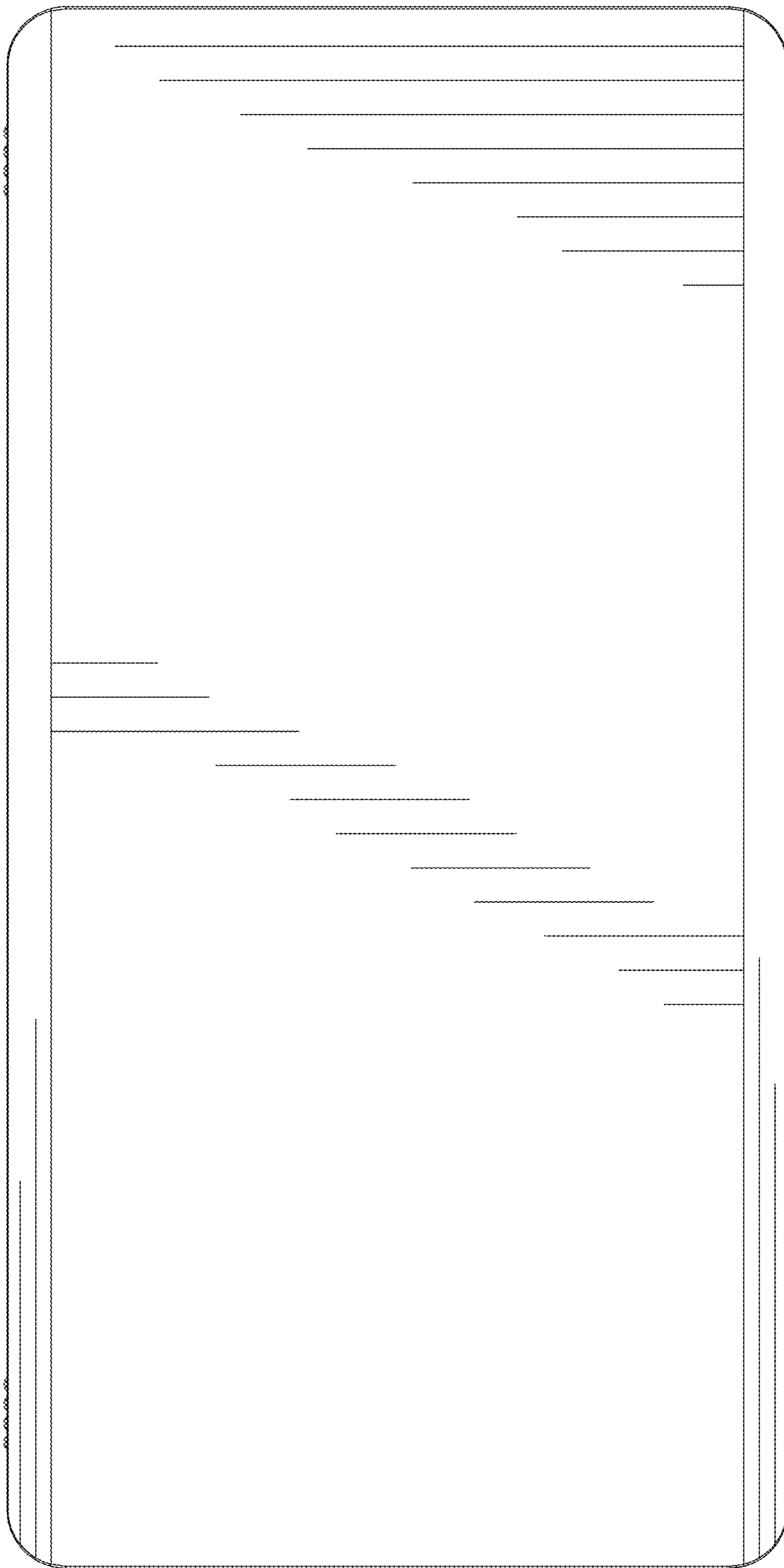


FIG.3

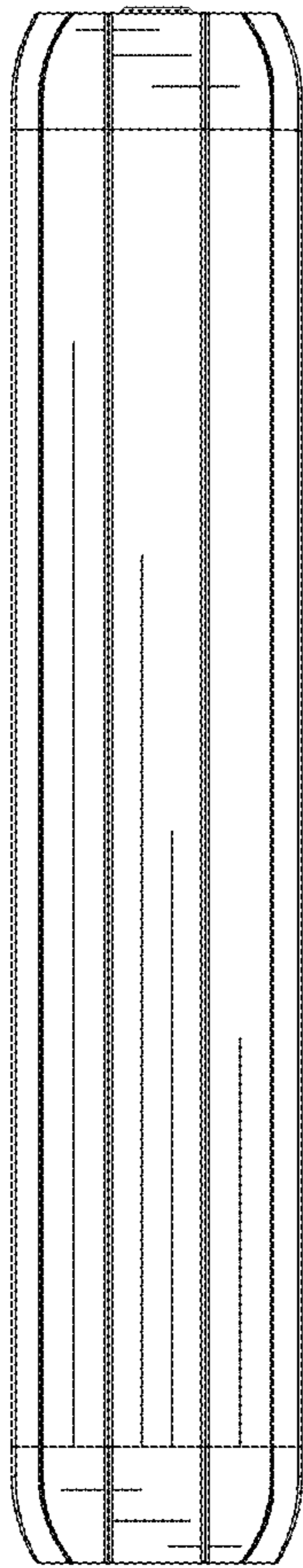


FIG.4

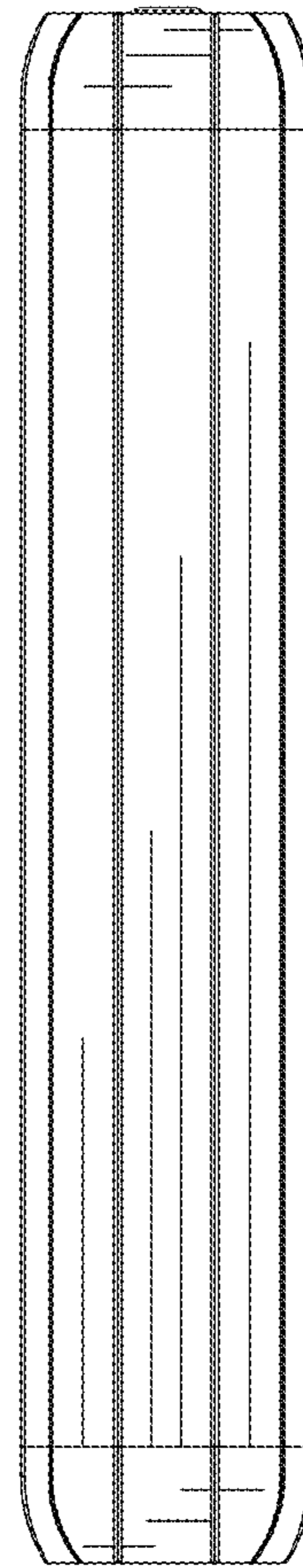


FIG.5

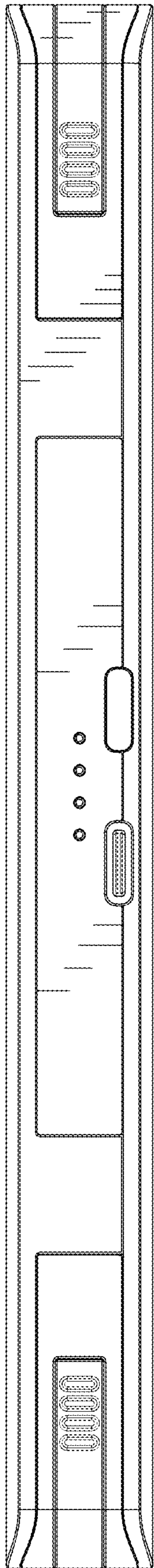


FIG. 6

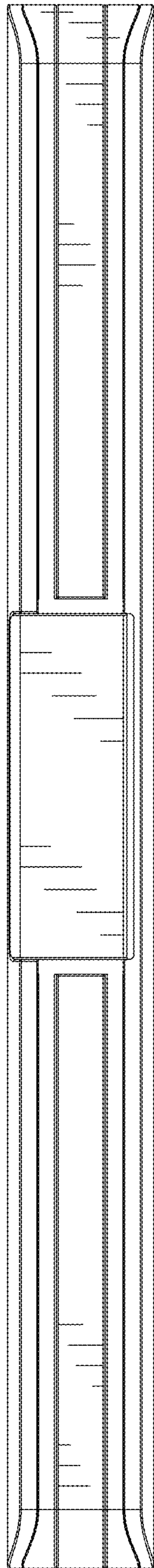


FIG. 7

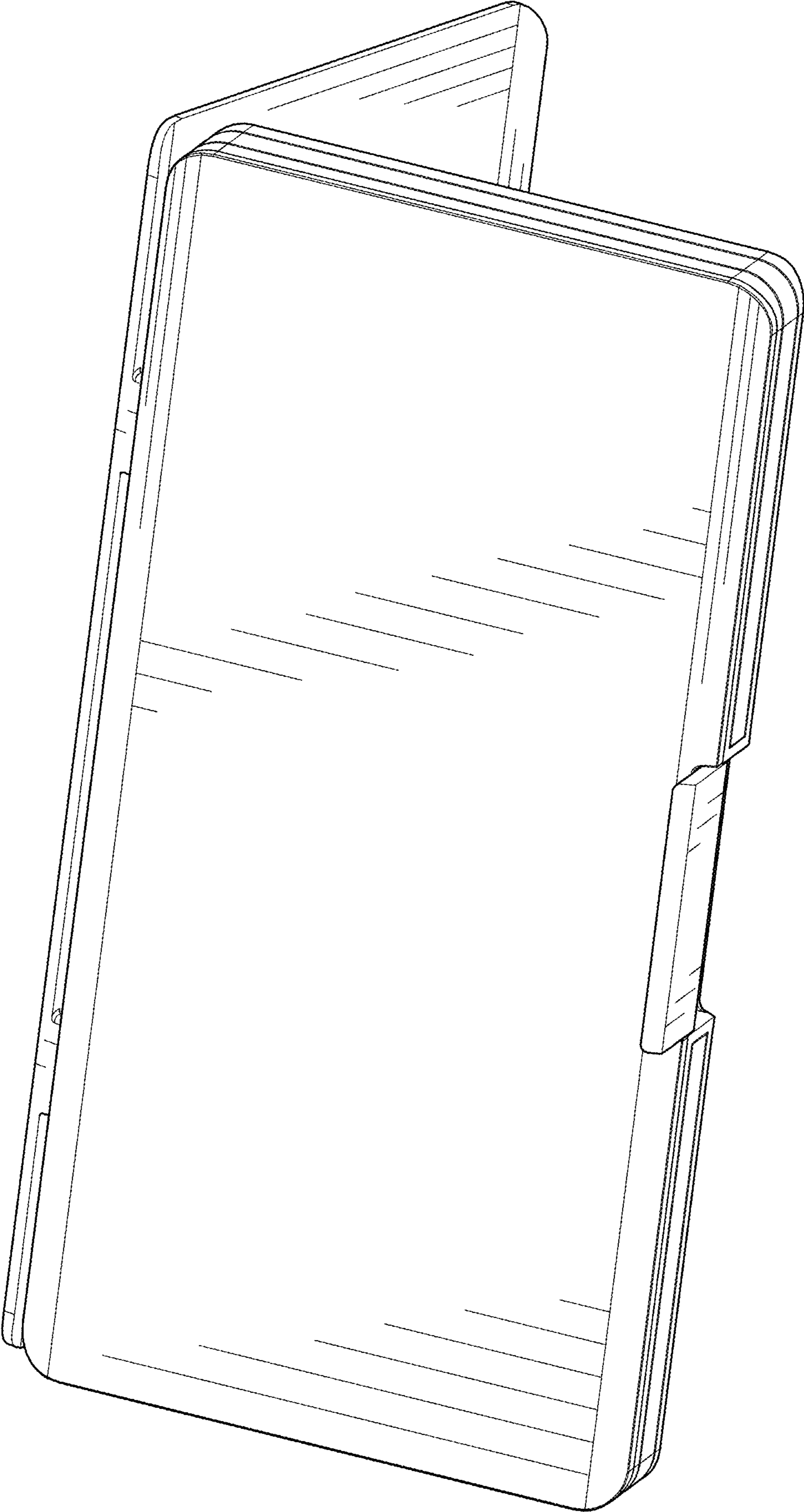


FIG.8