

US00D944195S

(12) **United States Design Patent**
Feng et al.

(10) **Patent No.:** **US D944,195 S**

(45) **Date of Patent:** **** Feb. 22, 2022**

(54) **POWER BANK**

(71) Applicant: **LUXSHARE PRECISION**
INDUSTRY CO., LTD., Shenzhen
(CN)

(72) Inventors: **Yun Feng**, New Territories (HK);
Guo-Qin Huang, New Territories (HK);
Qi-Jun Yin, New Territories (HK);
Shuang-Shuang Chen, New Territories
(HK)

(73) Assignee: **LUXSHARE PRECISION**
INDUSTRY CO., LTD., Shenzhen
(CN)

(**) Term: **15 Years**

(21) Appl. No.: **29/745,510**

(22) Filed: **Aug. 6, 2020**

(30) **Foreign Application Priority Data**

Mar. 19, 2020 (CN) 202030094035.2

(51) **LOC (13) Cl.** **13-02**

(52) **U.S. Cl.**
USPC **D13/108**

(58) **Field of Classification Search**
USPC D13/103, 107, 108, 118, 119; D14/140,
D14/142, 149, 240, 251, 252, 253, 432,
D14/433, 434, 439, 447
CPC H04M 1/06; H02J 7/342; H02J 7/0044;
H02J 7/0045
See application file for complete search history.

(56) **References Cited**

U.S. PATENT DOCUMENTS

D639,267 S * 6/2011 DeLorenzo D14/142
D656,500 S * 3/2012 Maruyama D14/447
D663,686 S * 7/2012 Yang D13/108
D679,271 S * 4/2013 Liu D14/250

D787,441 S * 5/2017 Lee D13/108
9,756,747 B1 * 9/2017 Liao G06F 1/1626
D843,935 S * 3/2019 Luo D13/103
D881,122 S * 4/2020 Yao D13/108
D883,924 S * 5/2020 Chen D13/108

(Continued)

FOREIGN PATENT DOCUMENTS

CN 208316360 U 1/2019
CN 209233518 U 8/2019
TW M584568 U 10/2019

OTHER PUBLICATIONS

“Budi Wireless Charger”. Found online Jun. 2, 2021 at linkedin.com. Reference dated Oct. 4, 2019. Retrieved from <https://www.linkedin.com/pulse/budi-multi-functional-boxmulti-cable-6-types-cablewireless-ma>. (Year: 2019).*

(Continued)

Primary Examiner — Kendra Leslie Hamilton

Assistant Examiner — Amanda Christensen

(74) *Attorney, Agent, or Firm* — Birch, Stewart, Kolasch & Birch, LLP

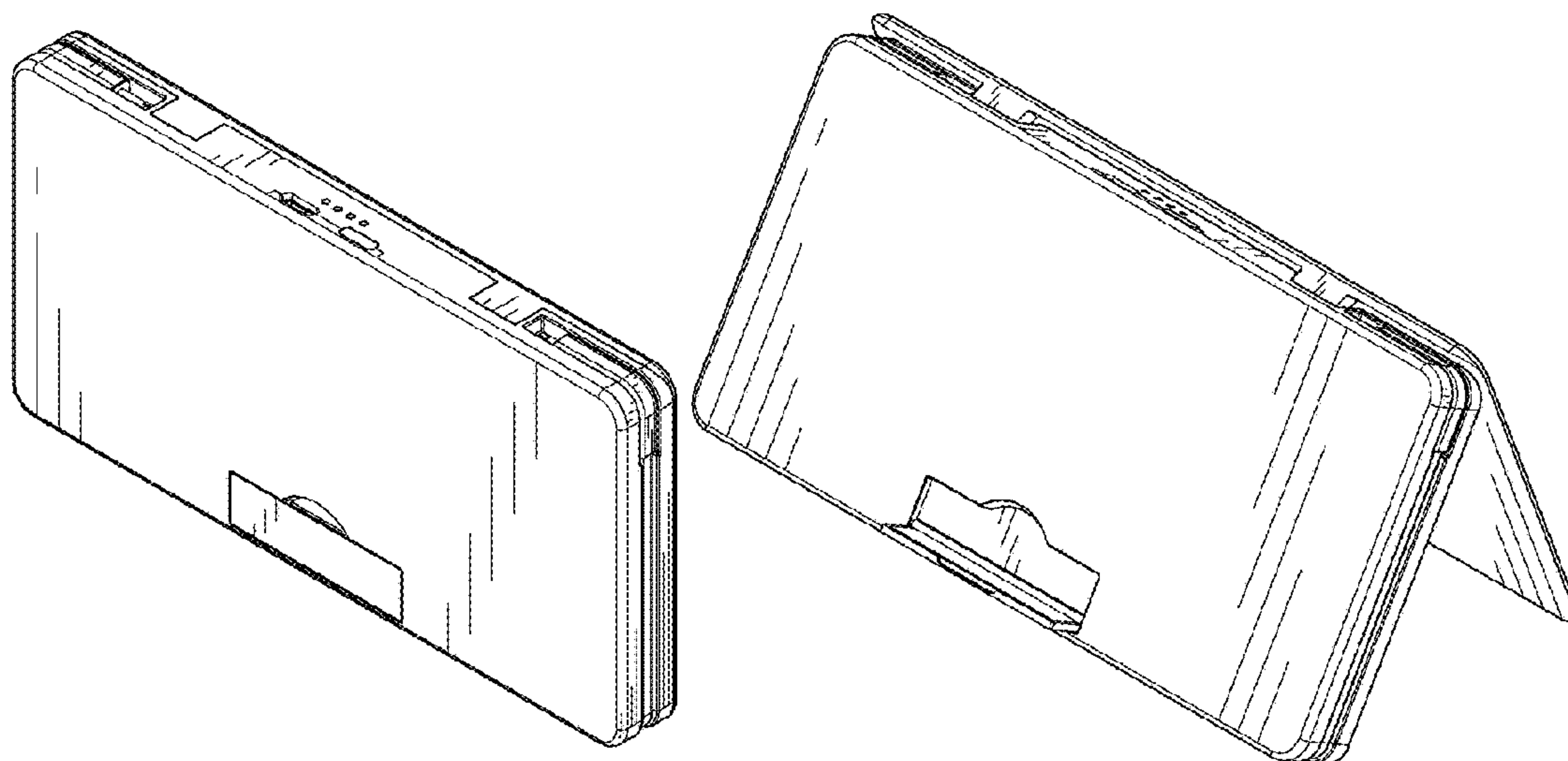
(57) **CLAIM**

The ornamental design for a power bank, as shown and described.

DESCRIPTION

FIG. 1 is a top, front, right side perspective view of a power bank, showing our new design;
FIG. 2 is a front elevational view thereof;
FIG. 3 is a rear elevational view thereof;
FIG. 4 is a left side elevational view thereof;
FIG. 5 is a right side elevational view thereof;
FIG. 6 is a top plan view thereof;
FIG. 7 is a bottom plan view thereof; and,
FIG. 8 is a top, front, right side perspective view of a power bank, shown in a configuration for use.

1 Claim, 4 Drawing Sheets



(56)

References Cited

U.S. PATENT DOCUMENTS

D887,973 S * 6/2020 Chen D13/108
D922,318 S * 6/2021 Miller D13/108
2013/0187607 A1* 7/2013 Wang H02J 7/0042
320/115
2020/0374380 A1* 11/2020 Wang H04M 1/04

OTHER PUBLICATIONS

“Fast Wireless Charger”. Found online Jun. 2, 2021 at amazon.com. Reference dated Apr. 13, 2017. Retrieved from <https://www.amazon.co.uk/Wireless-Charger-Foldable-Charging-Qi-Enabled-Black/dp/B071D9P7KS>. (Year: 2017).*

“Shni Multi-Function Wireless Charger”. Found online Jun. 17, 2021 at amazon.com. Reference dated Sep. 30, 2019. Retrieved from <https://www.amazon.com/Survival-Multi-Type-Charging-Convertor-Multi-Function/dp/B07YKNJ3DX?th=1>. (Year: 2019).*

* cited by examiner

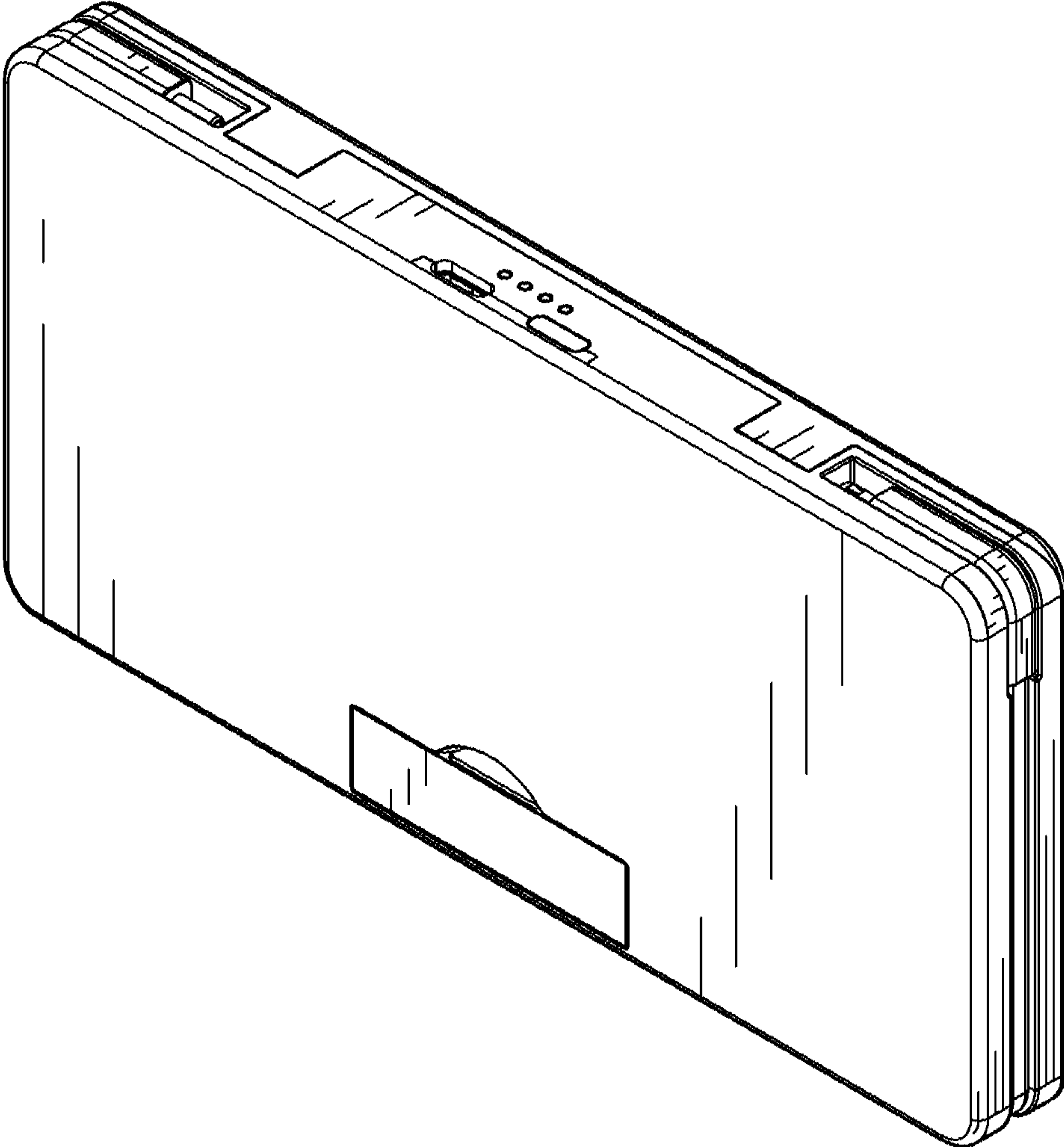


FIG. 1

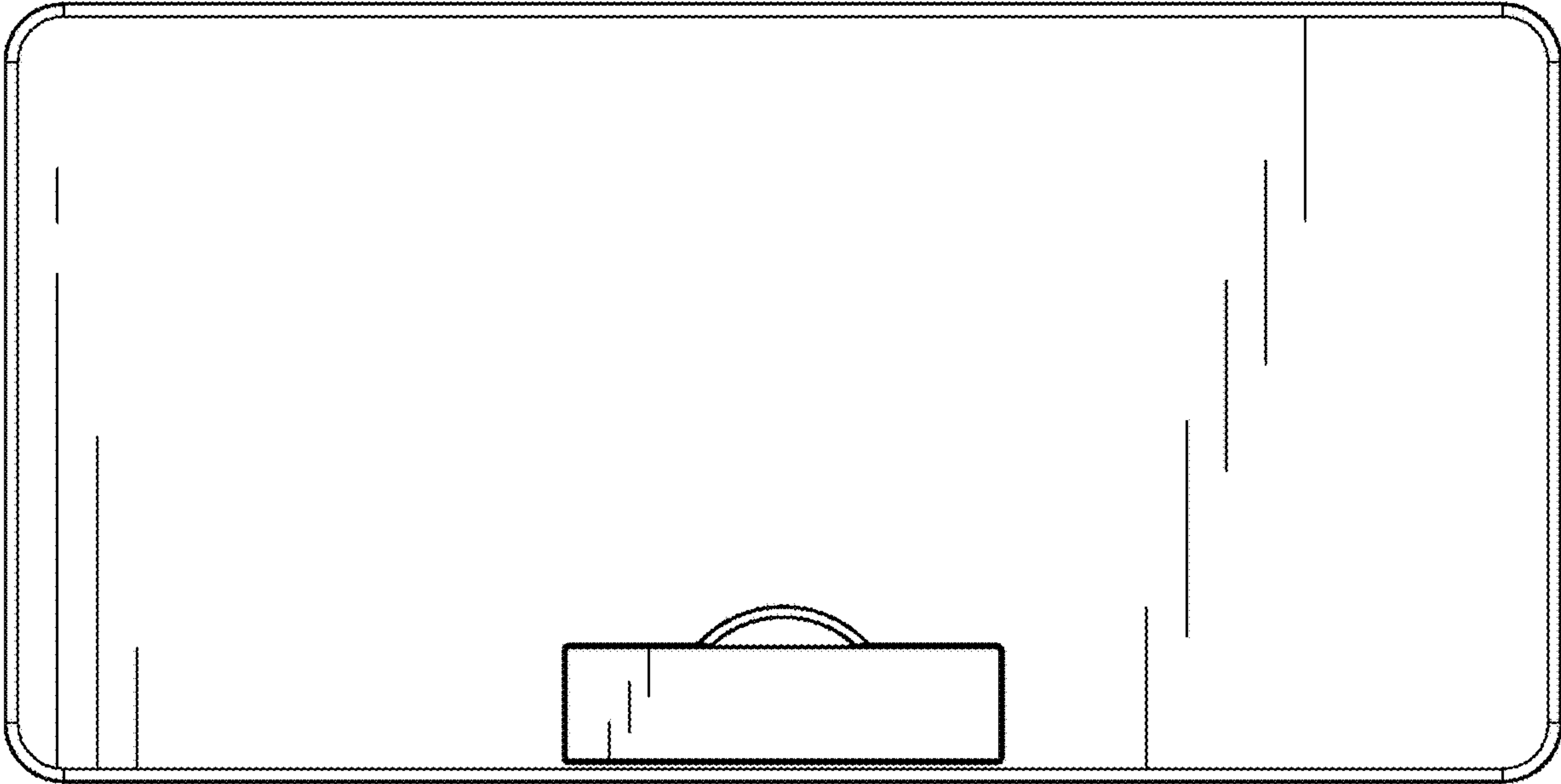


FIG. 2

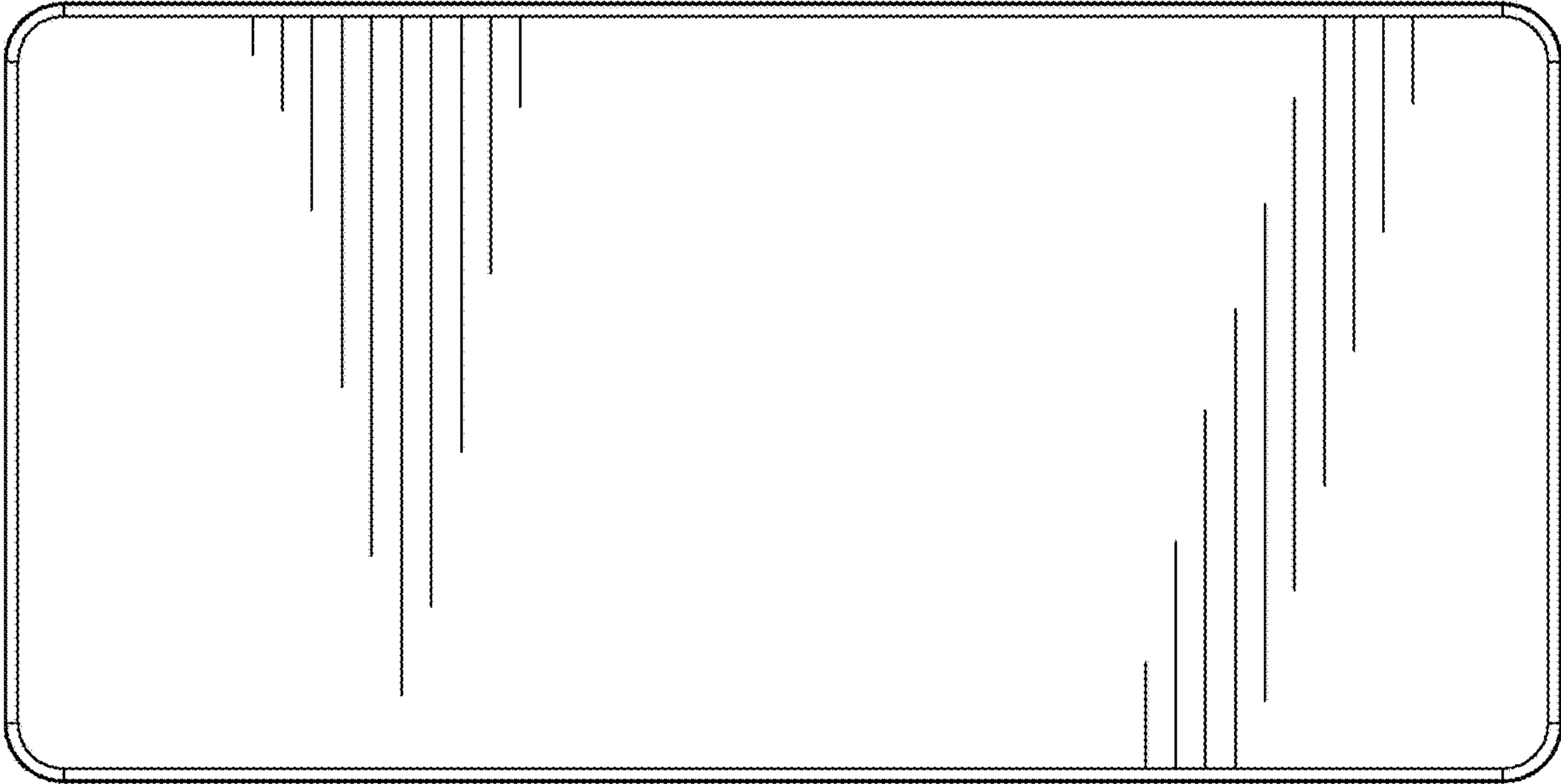


FIG. 3

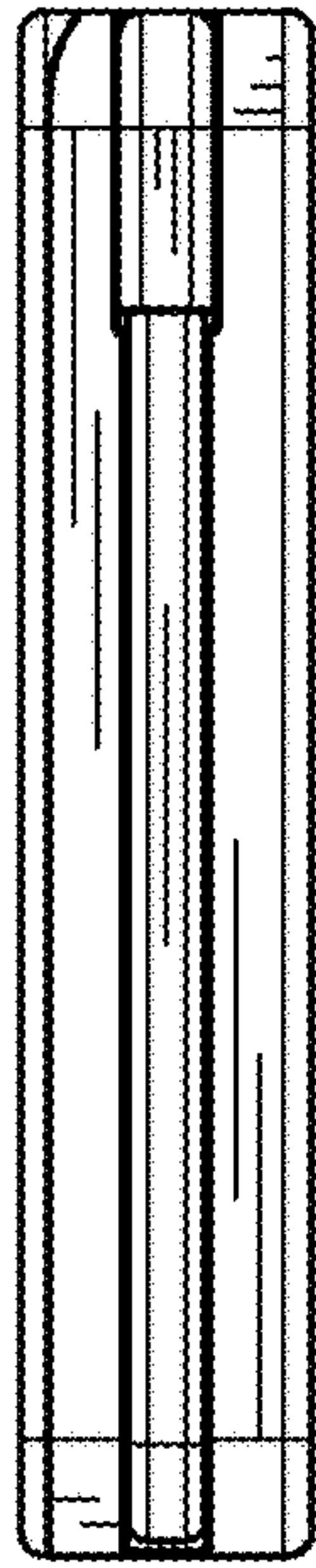


FIG. 4

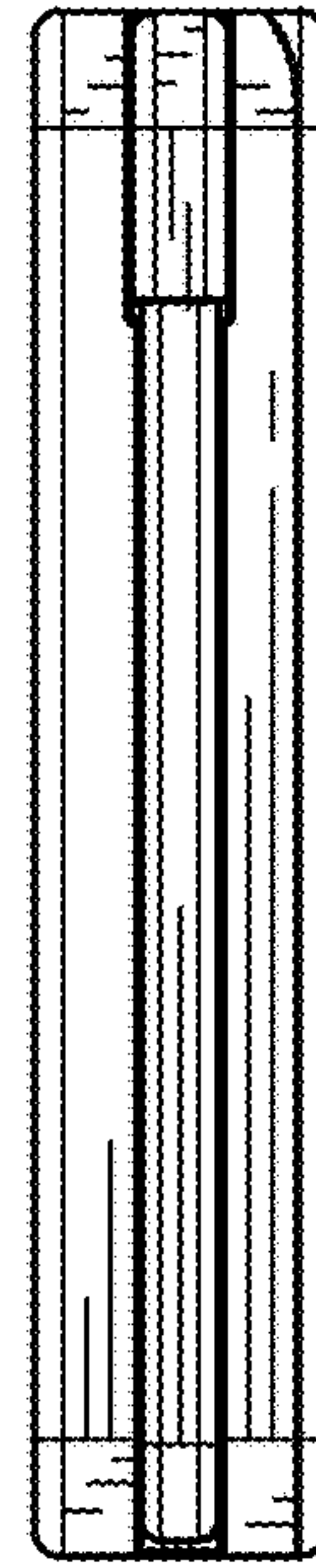


FIG. 5

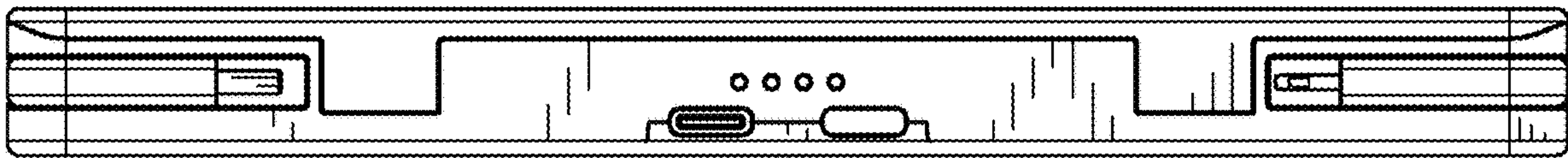


FIG. 6

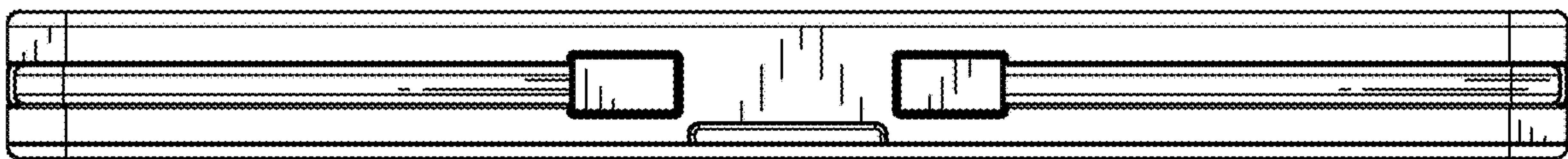


FIG. 7

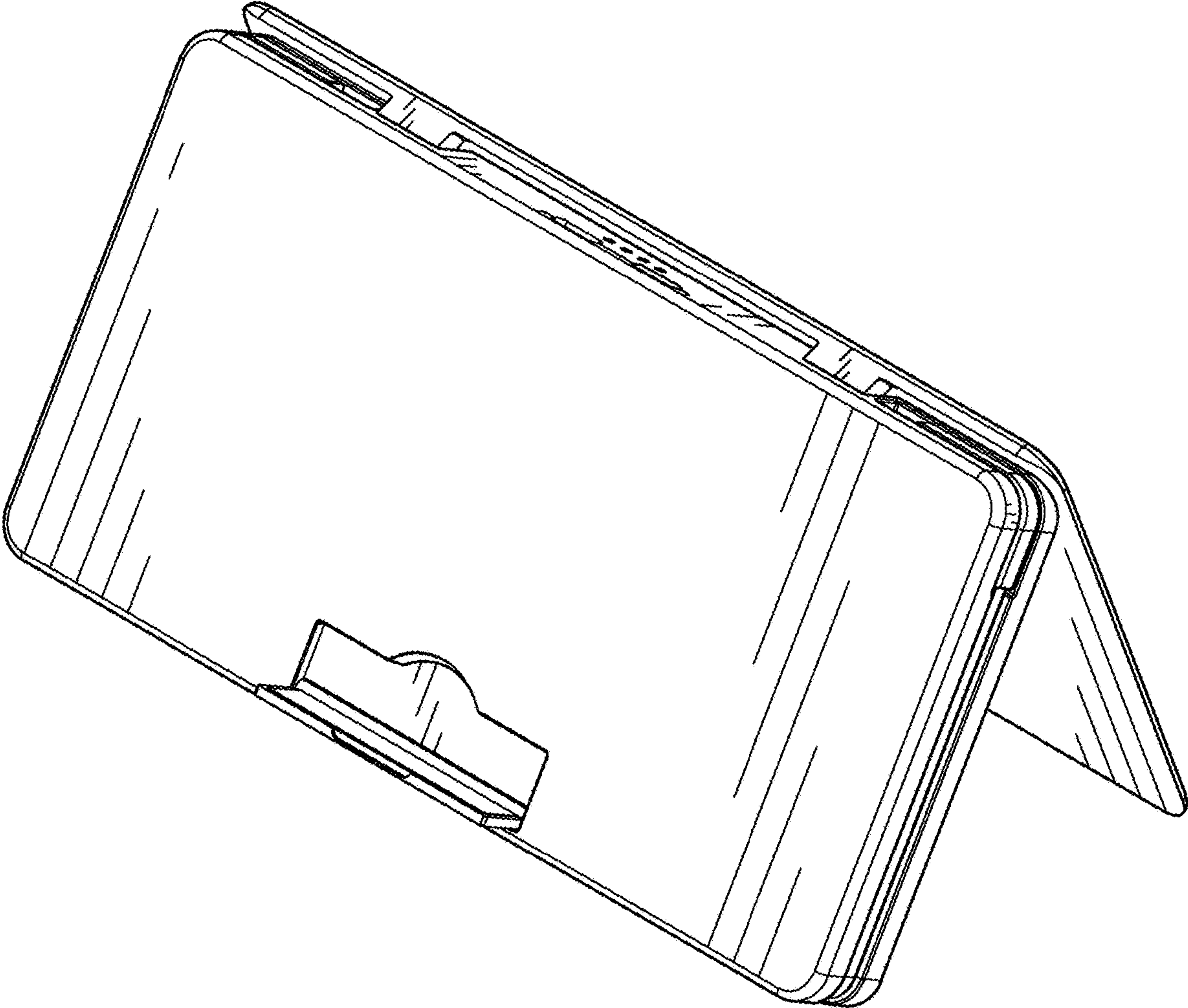


FIG. 8