

US00D944194S

(12) **United States Design Patent**
Palladino et al.

(10) **Patent No.:** **US D944,194 S**

(45) **Date of Patent:** **** Feb. 22, 2022**

- (54) **DOCK FOR WAND VACUUM**
- (71) Applicant: **SharkNinja Operating, LLC**,
Needham, MA (US)
- (72) Inventors: **Gary Palladino**, Sommerville, MA
(US); **Colby Higgins**, Hyde Park, MA
(US)
- (73) Assignee: **SHARKNINJA OPERATING LLC**,
Needham, MA (US)
- (**) Term: **15 Years**
- (21) Appl. No.: **29/658,321**
- (22) Filed: **Jul. 30, 2018**
- (51) **LOC (13) Cl.** **13-02**
- (52) **U.S. Cl.**
USPC **D13/108**
- (58) **Field of Classification Search**
USPC D13/103, 107–110, 118–119, 184, 199;
D14/251, 253, 432, 434; D32/25, 31, 33
CPC H02J 7/0026; H02J 7/0042; H02J 7/0044;
H02J 7/0045; H02J 7/0013; H02J 7/0003;
H02J 50/00; H02J 50/10; H02J 50/12;
H02J 50/80
See application file for complete search history.

- D597,939 S * 8/2009 Tkachuk D13/108
- D640,194 S * 6/2011 Kim D13/108
- D640,977 S * 7/2011 Videbaek A61B 10/0275
D13/108
- D669,028 S 10/2012 Ino et al.
- D5,763,263 8/2016 Wierenga
- D772,216 S * 11/2016 Lau D14/253
- D815,594 S * 4/2018 Chen D13/108
- D817,872 S 5/2018 Oguchi

(Continued)

Primary Examiner — Rosemary K Tarcza
(74) *Attorney, Agent, or Firm* — Grossman, Tucker,
Perreault & Pflieger, PLLC

(57) **CLAIM**

The ornamental design of a dock for a wand vacuum, as shown and described.

DESCRIPTION

FIG. 1 is a front, right perspective view of a dock for a wand vacuum, showing a new design;
 FIG. 2 is front, left perspective view thereof;
 FIG. 3 is a back, left perspective view thereof;
 FIG. 4 is a back, right perspective view thereof;
 FIG. 5 is a bottom, front, left perspective view thereof;
 FIG. 6 is a bottom, front, right perspective view thereof;
 FIG. 7 is a bottom, back, left perspective view thereof;
 FIG. 8 is a bottom, back, right perspective view thereof;
 FIG. 9 is a top, left perspective view thereof;
 FIG. 10 is a top, right perspective view thereof;
 FIG. 11 is a front view thereof;
 FIG. 12 is a back view thereof;
 FIG. 13 is a left view thereof;
 FIG. 14 is a right view thereof;
 FIG. 15 is a top view thereof; and,
 FIG. 16 is a bottom view thereof.

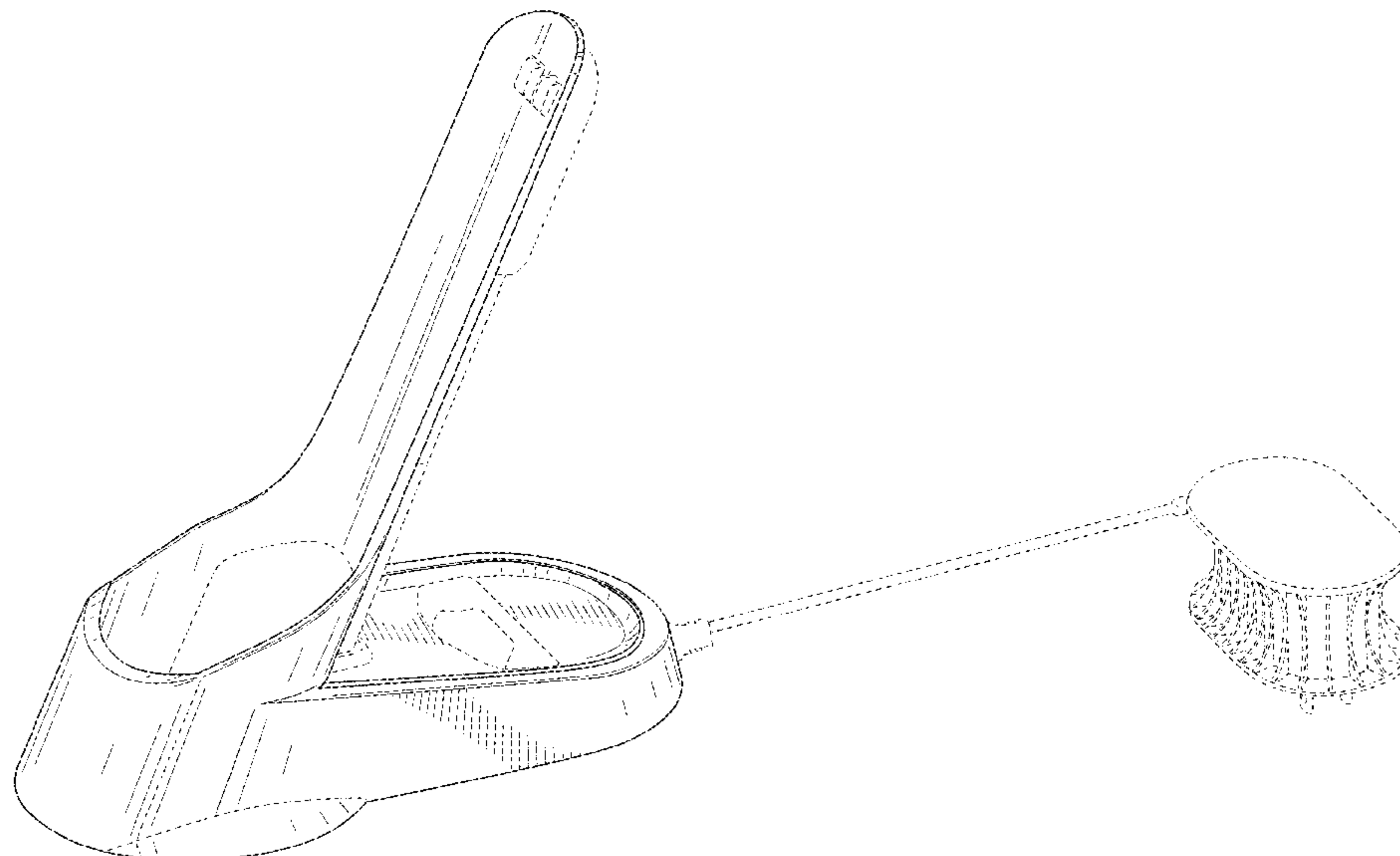
The broken lines shown in the drawings are included for purposes of illustrating portions of the dock for a wand vacuum that form no part of the claimed design.

1 Claim, 16 Drawing Sheets

(56) **References Cited**

U.S. PATENT DOCUMENTS

- D199,728 S * 12/1964 Hall D4/199
- D308,267 S * 5/1990 Bradd D13/108
- D310,272 S * 8/1990 Gallanis D13/108
- D360,723 S * 7/1995 Kasai D13/108
- D416,536 S 11/1999 Ross et al.
- D445,975 S * 7/2001 Stratford D13/108
- D489,322 S * 5/2004 Sawai D13/108
- D559,484 S * 1/2008 Fjellman D13/108
- D559,485 S * 1/2008 Fjellman D13/108
- D566,352 S * 4/2008 Ågren D13/108
- D594,407 S * 6/2009 Chon D13/108



(56)

References Cited

U.S. PATENT DOCUMENTS

D857,625	S *	8/2019	Cao	D13/108
D858,438	S *	9/2019	Levy	D13/108
D875,676	S *	2/2020	Segev	D13/108
D896,175	S *	9/2020	Staff	D13/108
D896,750	S *	9/2020	Tokoi	D13/108
D897,949	S *	10/2020	Pearce	D13/108
2016/0195898	A1 *	7/2016	Lau	H04M 1/04 361/679.41
2019/0334358	A1 *	10/2019	Fountain	H02J 7/0044
2019/0351567	A1 *	11/2019	Stegmann	H02J 7/0047

* cited by examiner

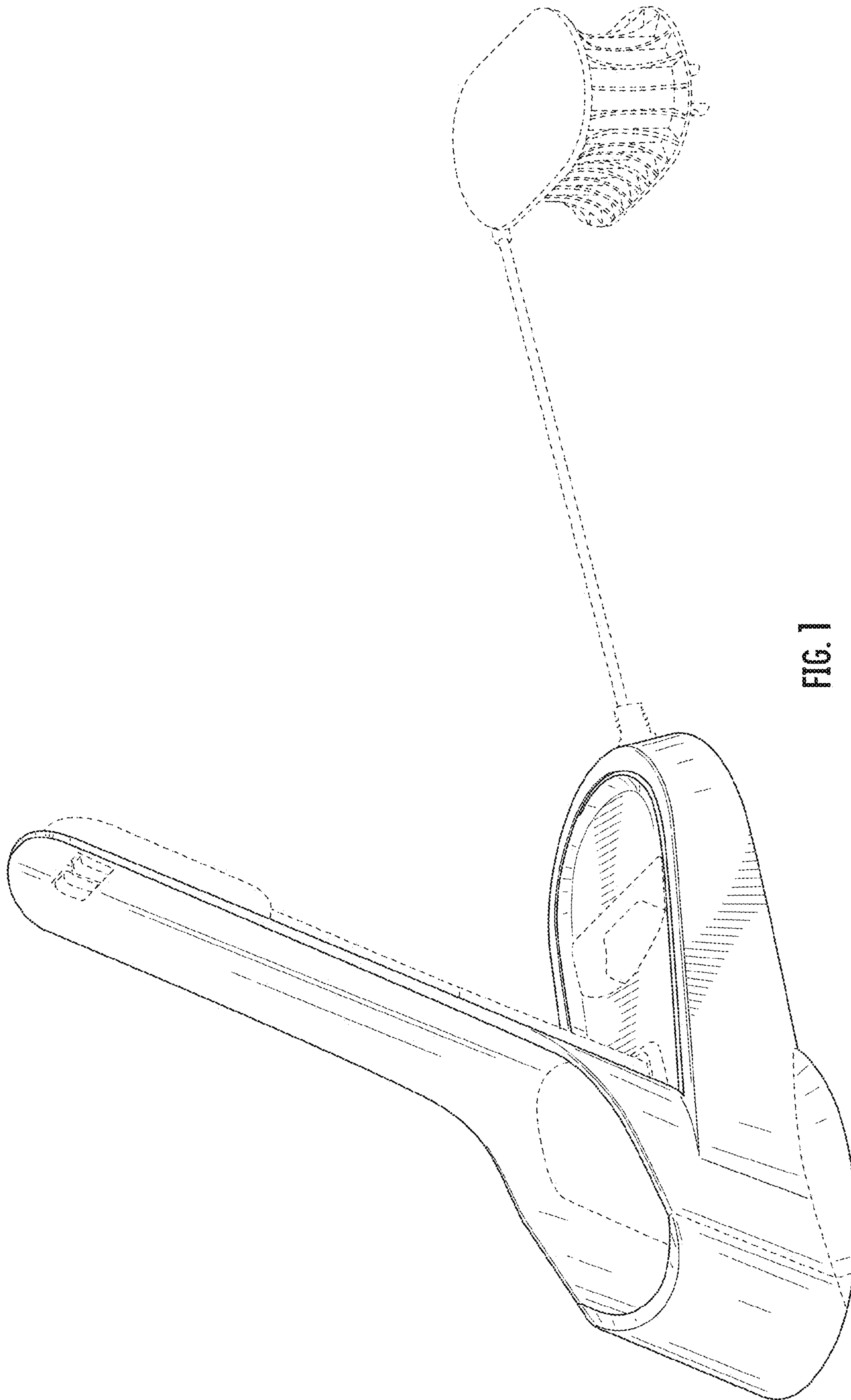


FIG. 1

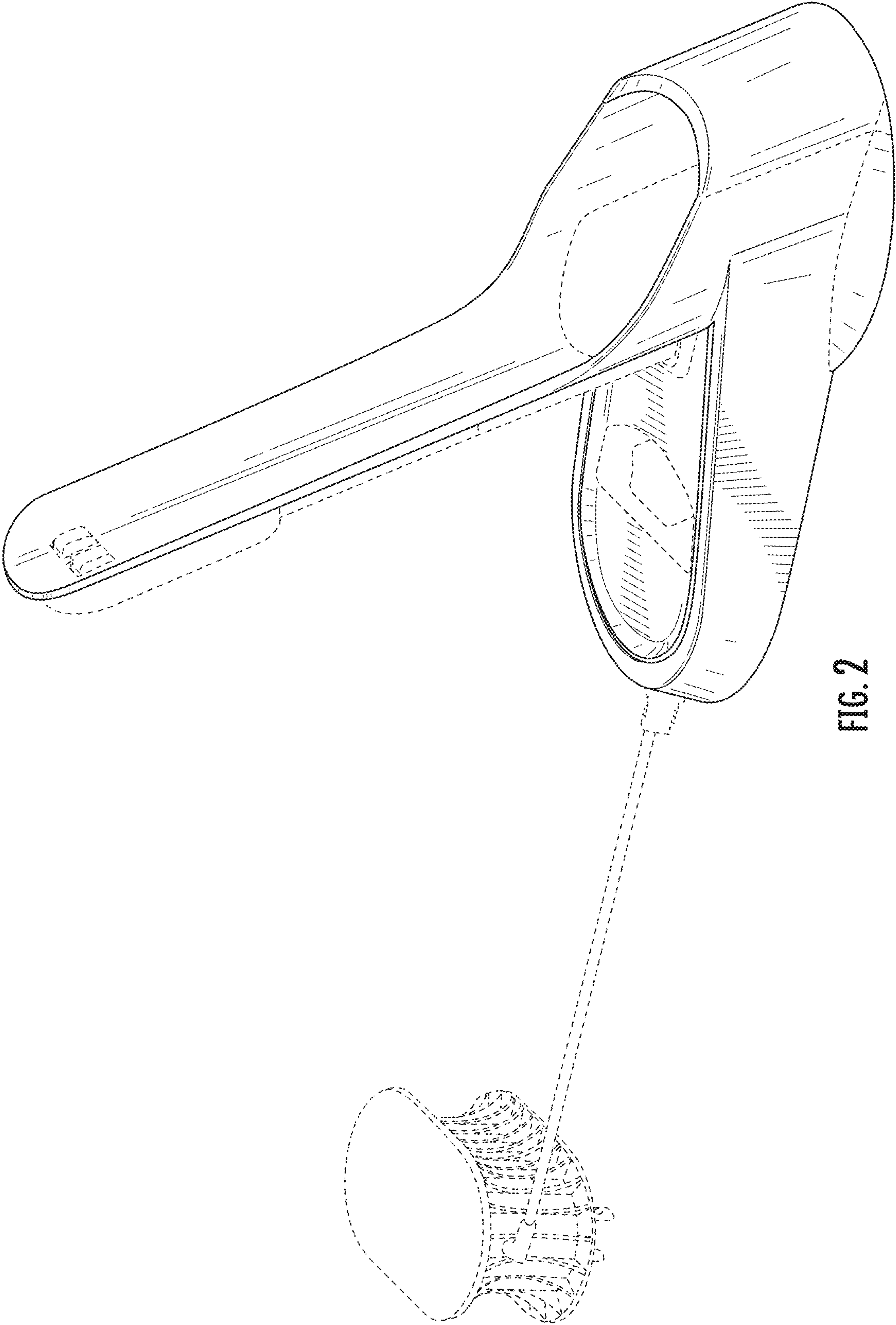


FIG. 2

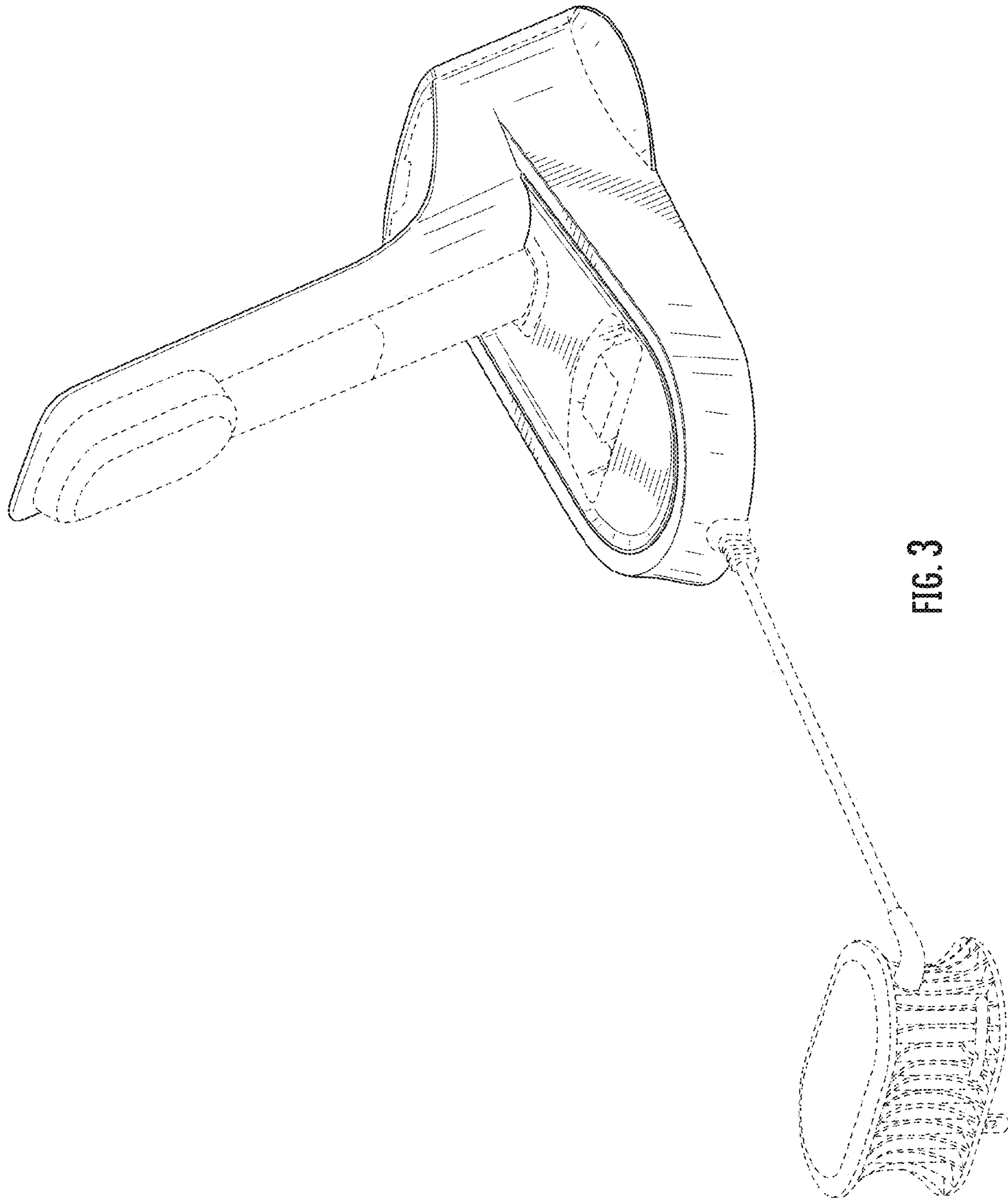


FIG. 3

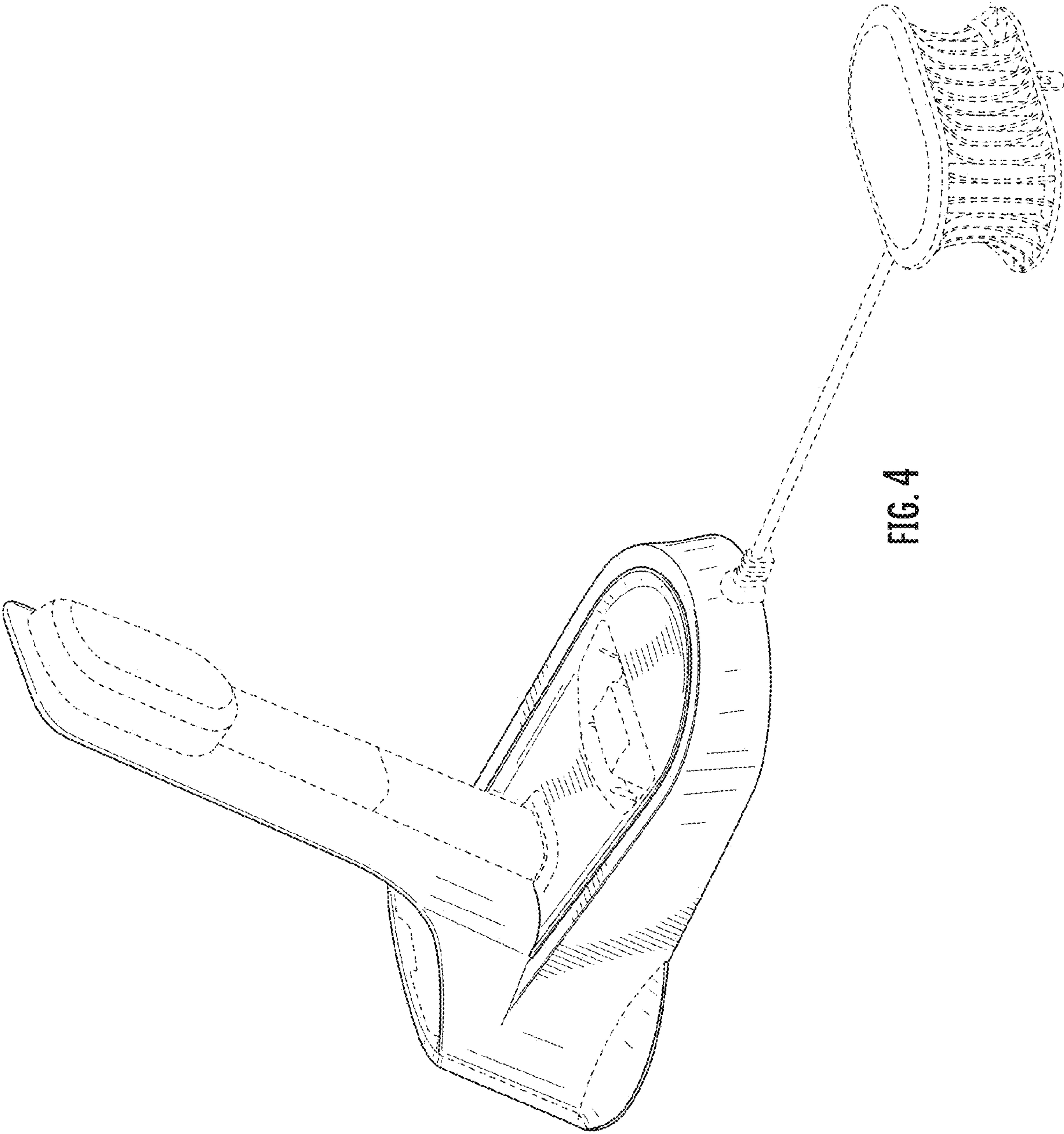


FIG. 4

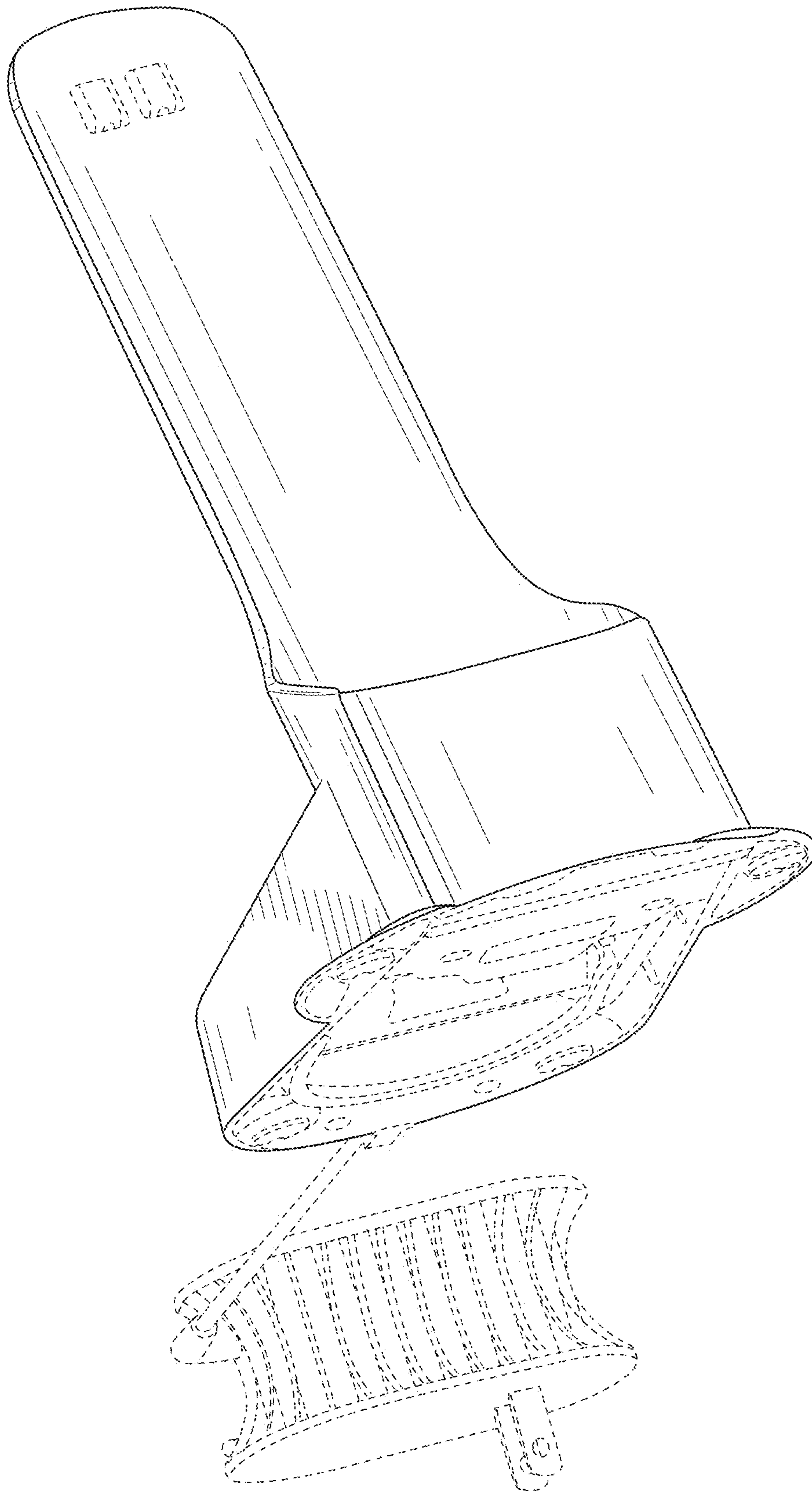


FIG. 5

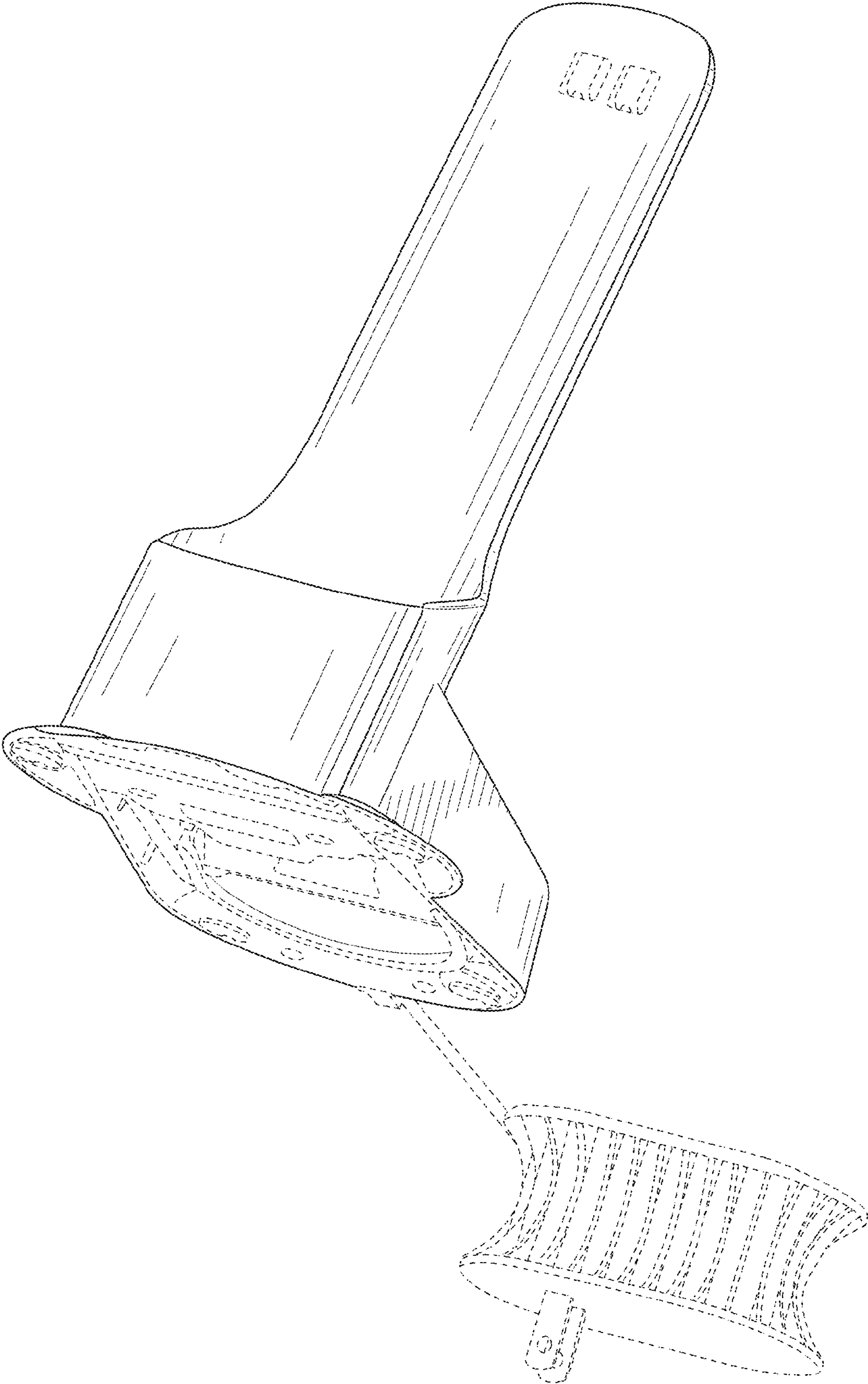


FIG. 6

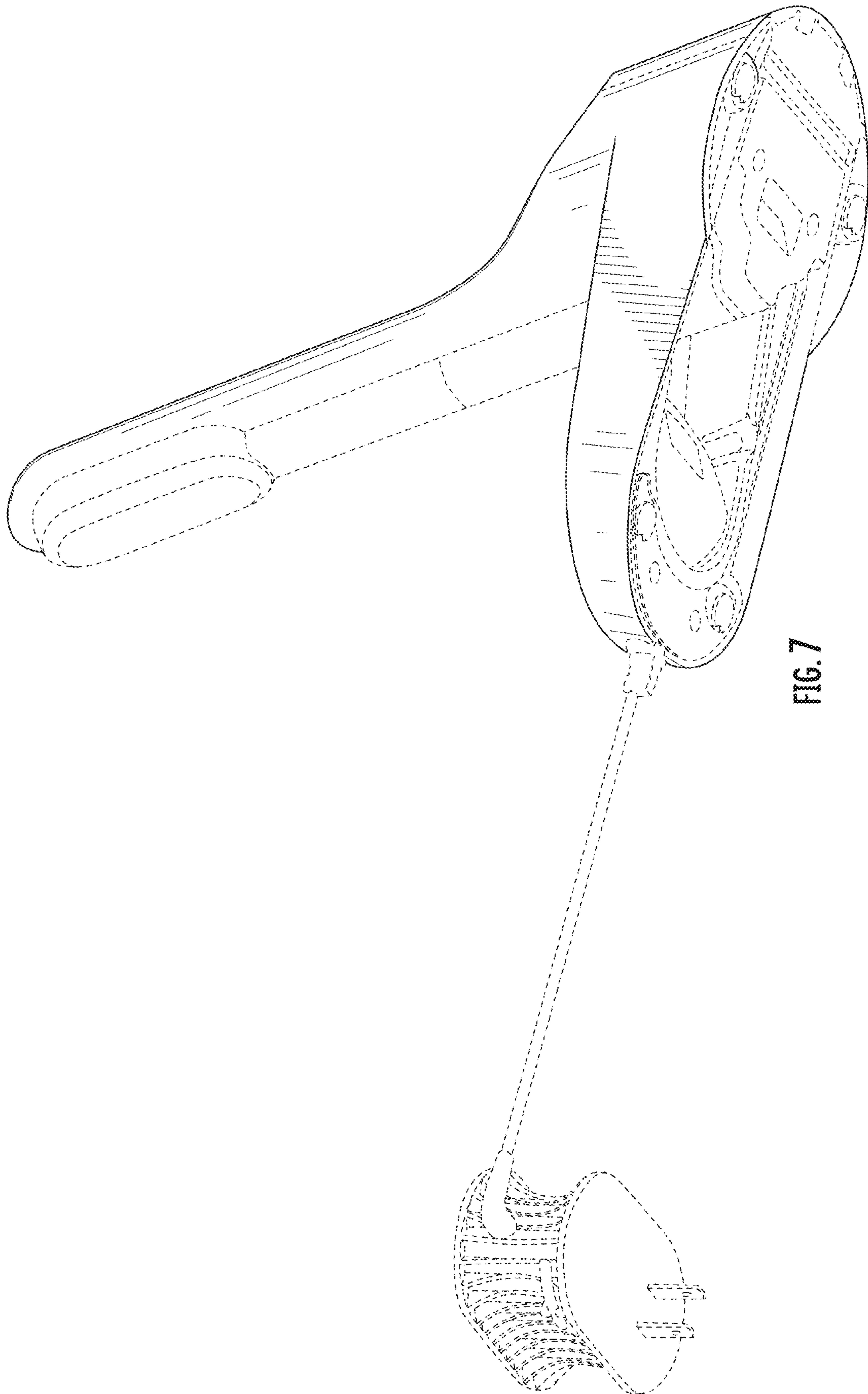


FIG. 7

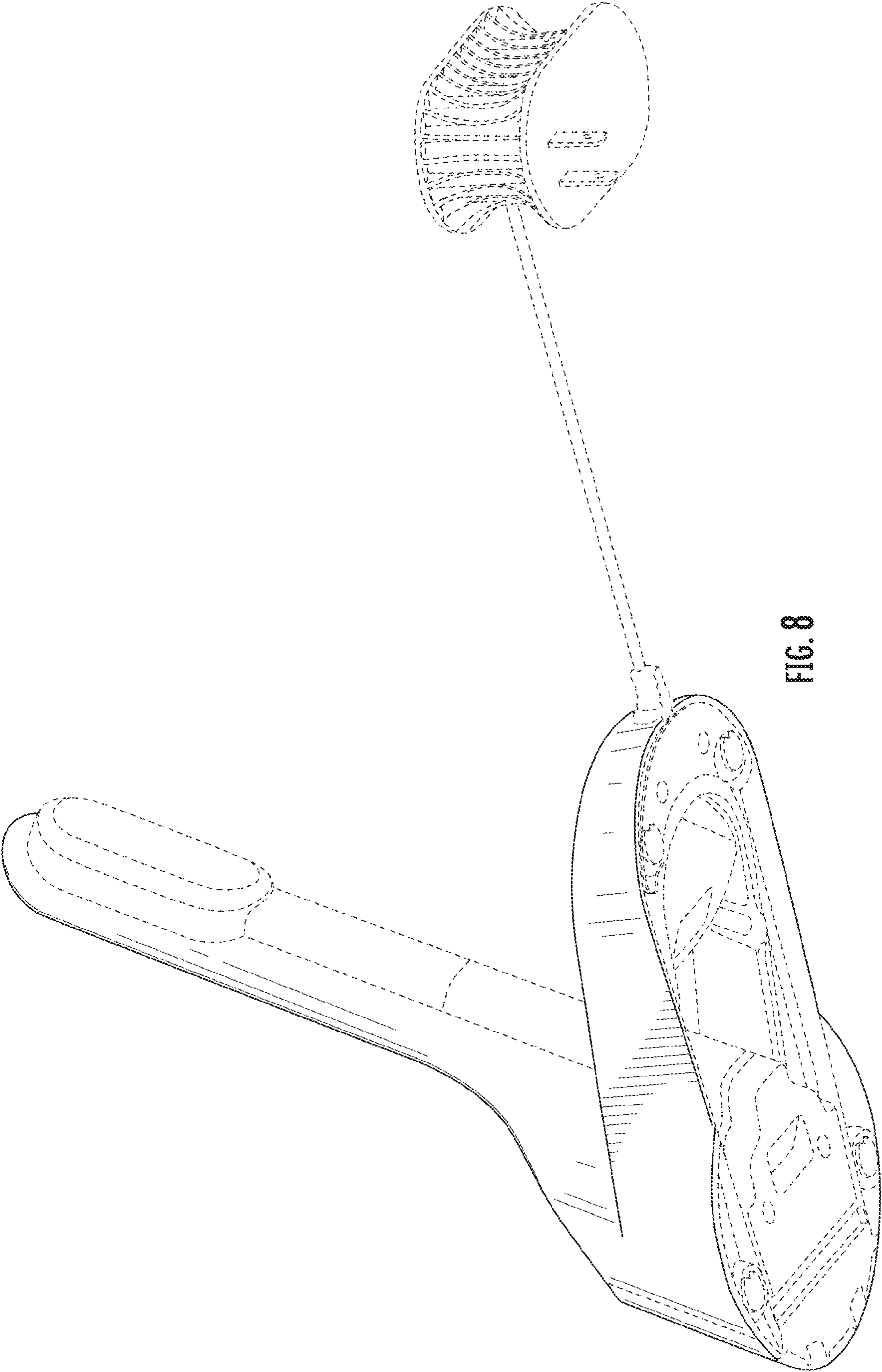


FIG. 8

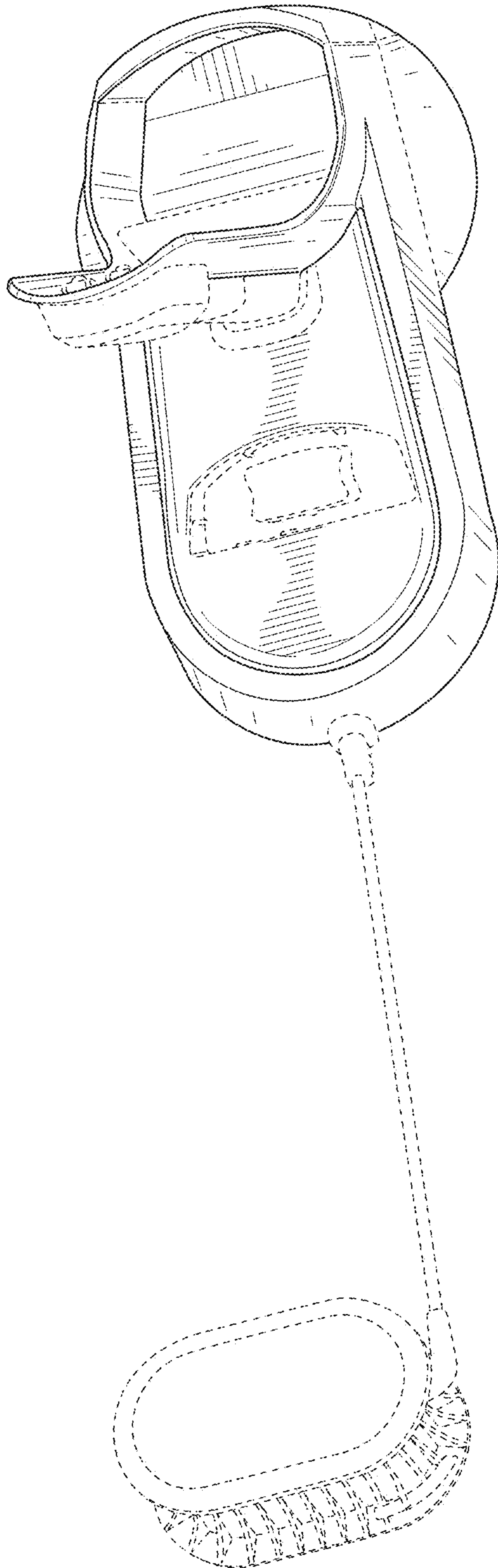


FIG. 9

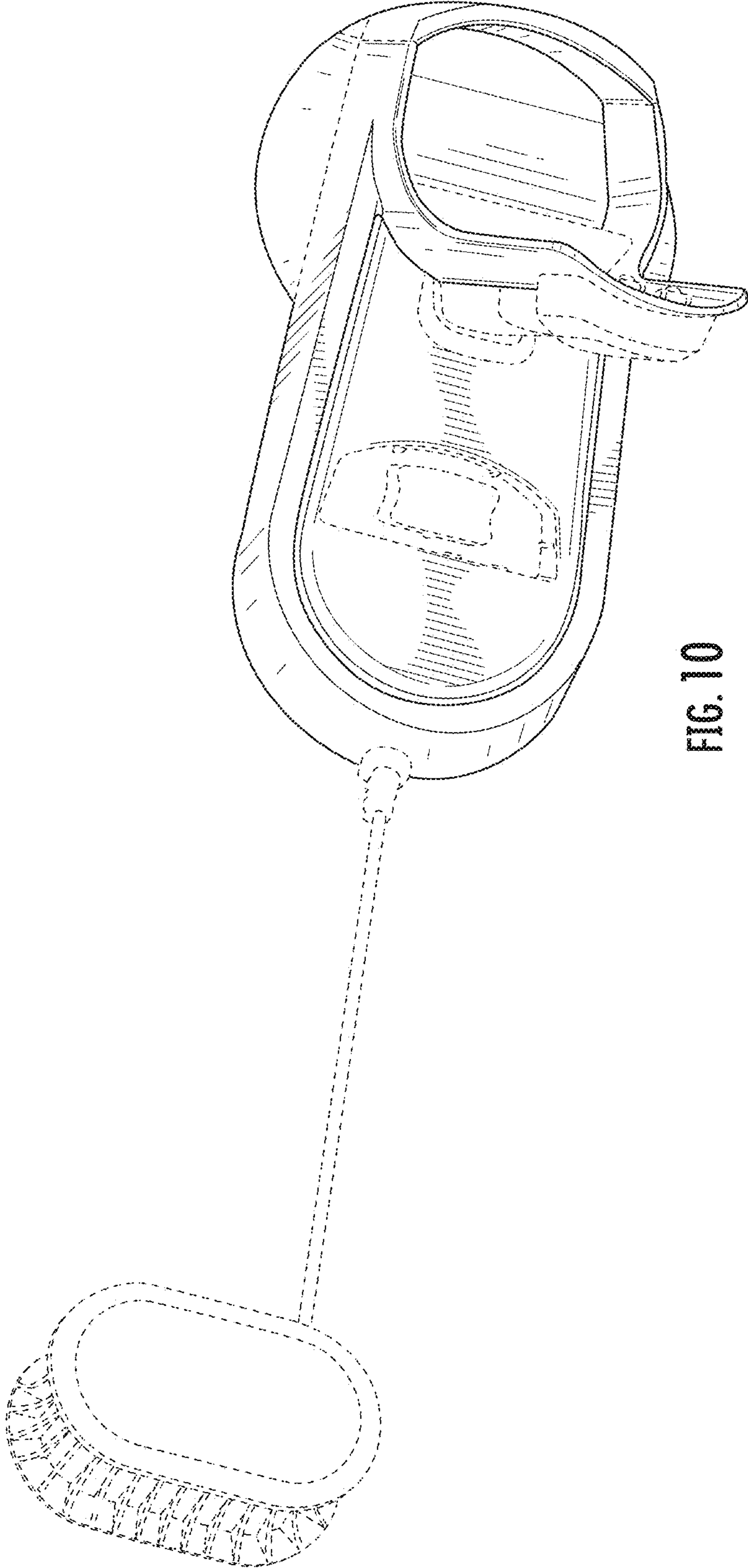


FIG. 10

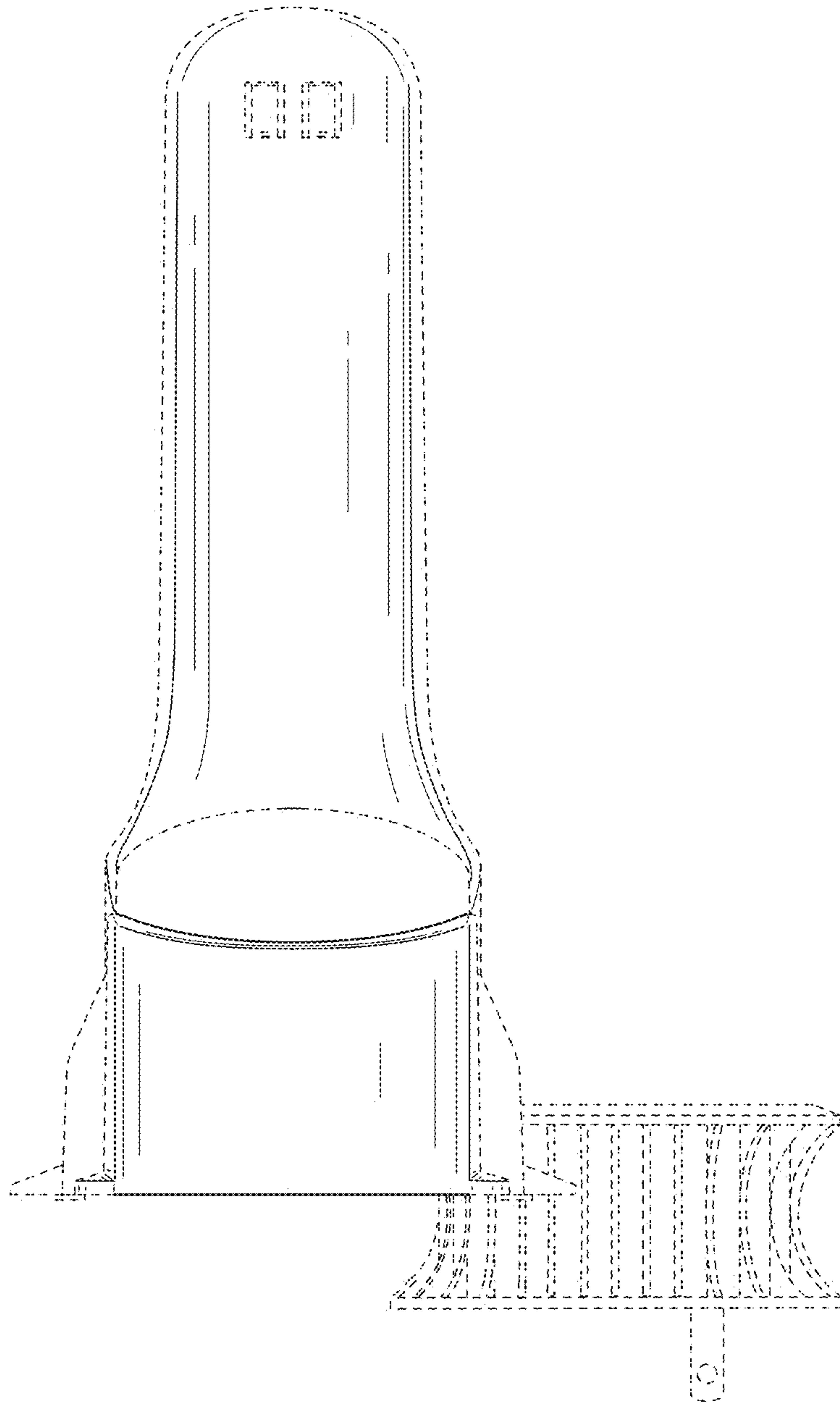


FIG. 11

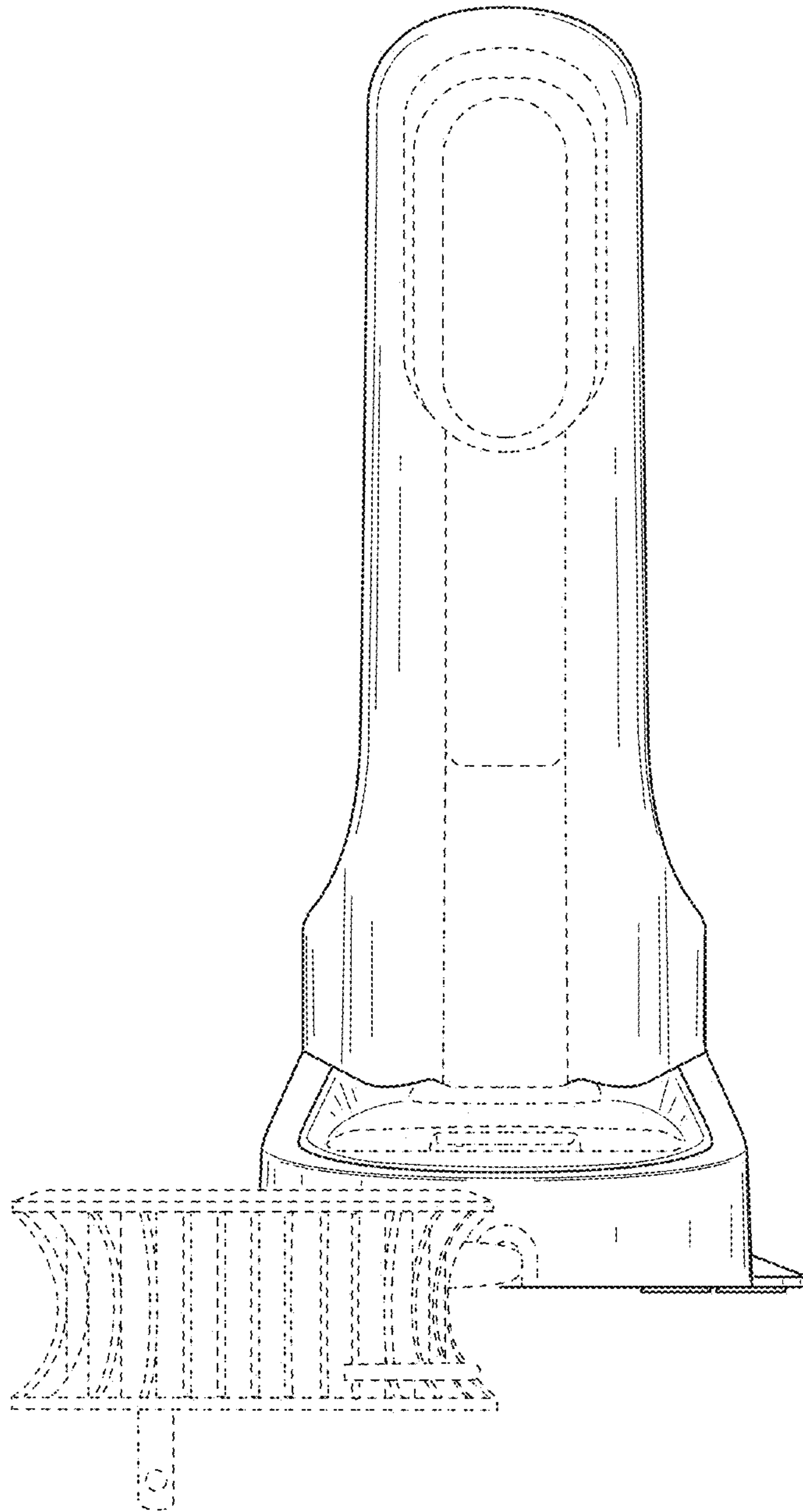
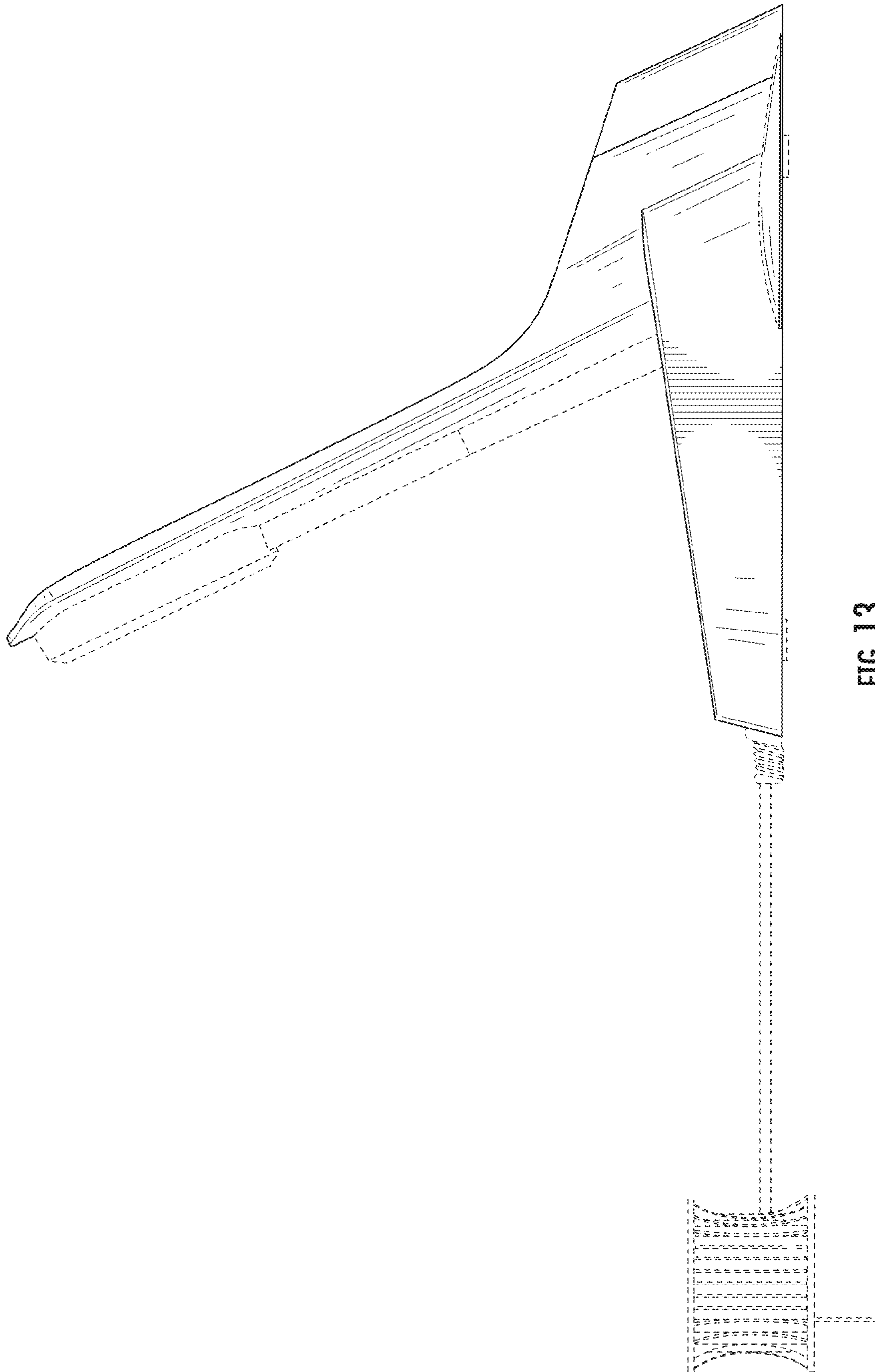


FIG. 12



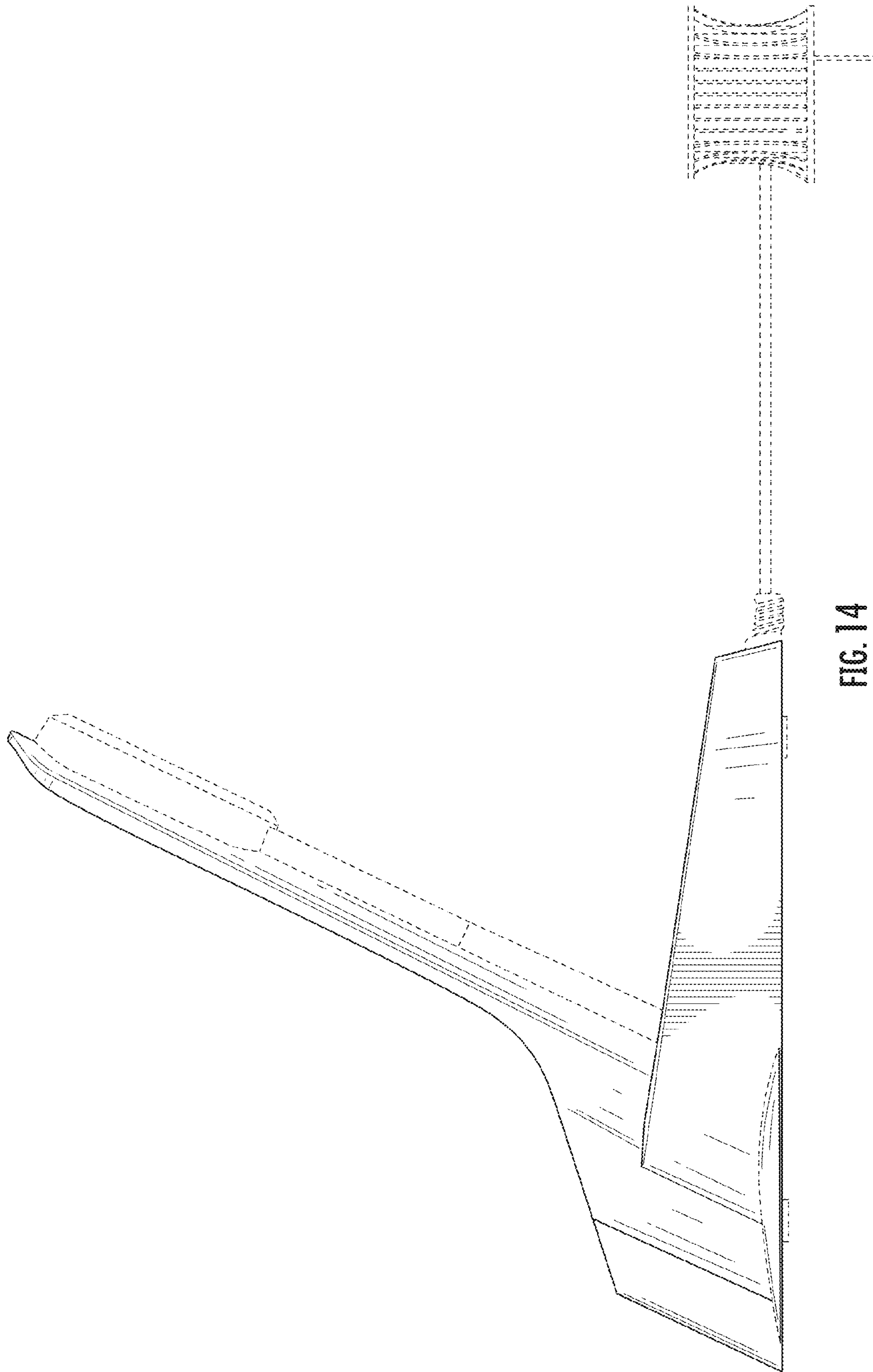


FIG. 14

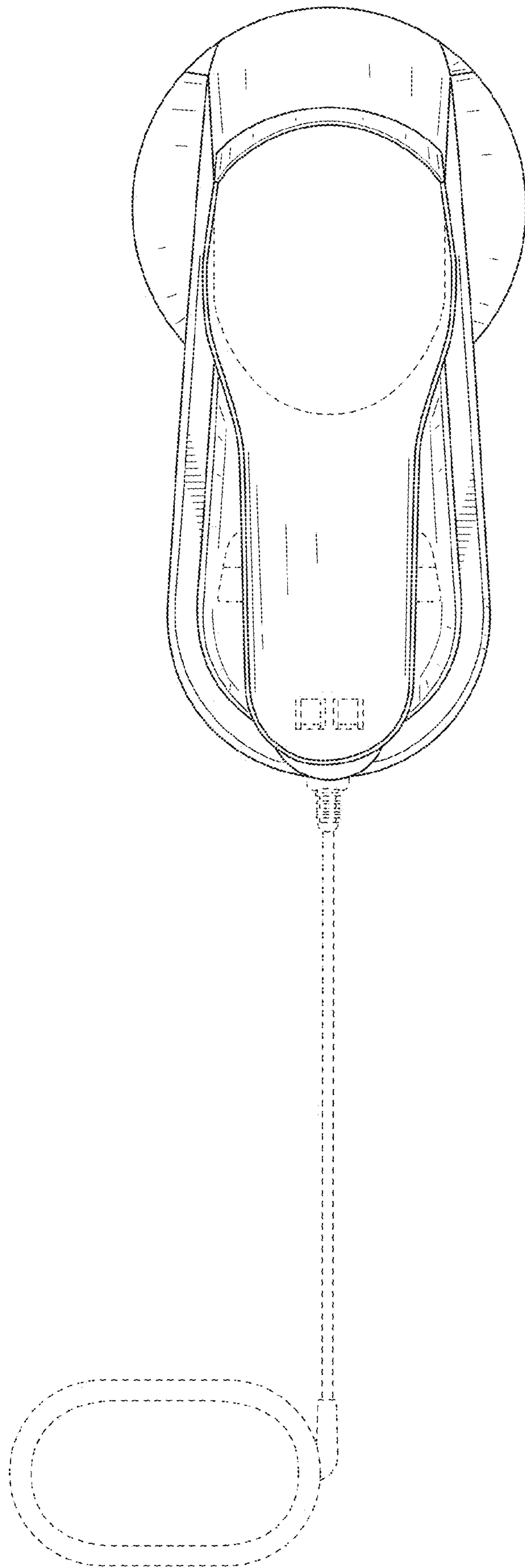


FIG. 15

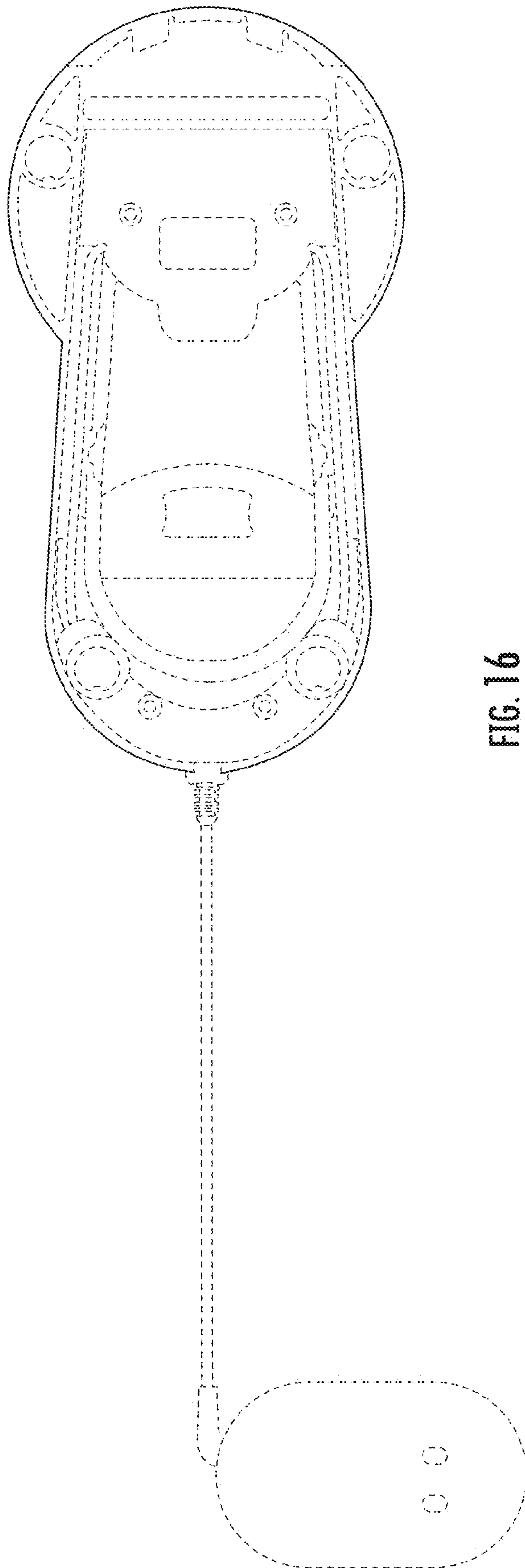


FIG. 16