



US00D944193S

(12) **United States Design Patent** (10) **Patent No.:** **US D944,193 S**
Sun et al. (45) **Date of Patent:** **** Feb. 22, 2022**

(54) **PORTABLE POWER SUPPLY**

(71) Applicant: **SHENZHEN HELLO TECH ENERGY CO LTD**, Guangdong (CN)

(72) Inventors: **Zhongwei Sun**, Guangdong (CN); **Wei Bai**, Guangdong (CN); **Tao Yang**, Guangdong (CN)

(73) Assignee: **SHENZHEN HELLO TECH ENERGY CO LTD**, Shenzhen (CN)

(**) Term: **15 Years**

(21) Appl. No.: **29/746,065**

(22) Filed: **Aug. 11, 2020**

(30) **Foreign Application Priority Data**

Mar. 19, 2020 (CN) 202030094433.4

(51) **LOC (13) Cl.** **13-02**

(52) **U.S. Cl.**
USPC **D13/107**

(58) **Field of Classification Search**
USPC D13/103, 106, 107, 108, 109, 110, 112, D13/114, 116, 118, 119, 184, 199
CPC H01M 10/46; H02J 7/0044; F02B 63/04
See application file for complete search history.

(56) **References Cited**

U.S. PATENT DOCUMENTS

D585,822 S *	2/2009	Hsu	D13/107
D764,403 S *	8/2016	Azuma	D13/103
D773,992 S *	12/2016	Krantz	D13/110
D842,240 S *	3/2019	Lai	D13/107
D874,395 S *	2/2020	Sun	D13/107
D874,398 S *	2/2020	Sun	D13/107
D887,357 S *	6/2020	Liao	D13/110
D902,857 S *	11/2020	Jia	D13/110
D911,935 S *	3/2021	Alexander	D13/107
D911,953 S *	3/2021	Yin	D13/108
2007/0285049 A1 *	12/2007	Krieger	H01M 50/213 320/105

(Continued)

OTHER PUBLICATIONS

“ROCKPALS Portable Power Station”. Found online Aug. 24, 2021 at amazon.com. Reference dated Apr. 27, 2017. Retrieved from <https://www.amazon.com/dp/B07FFNTGZ6?tag=theenergyfixart-20&linkCode=ogi&th=1&pssc=1>. (Year: 2017).*

(Continued)

Primary Examiner — Kendra Leslie Hamilton

Assistant Examiner — Amanda Christensen

(74) *Attorney, Agent, or Firm* — Dragon Sun Law Firm, PC; Jinggao Li, Esq.

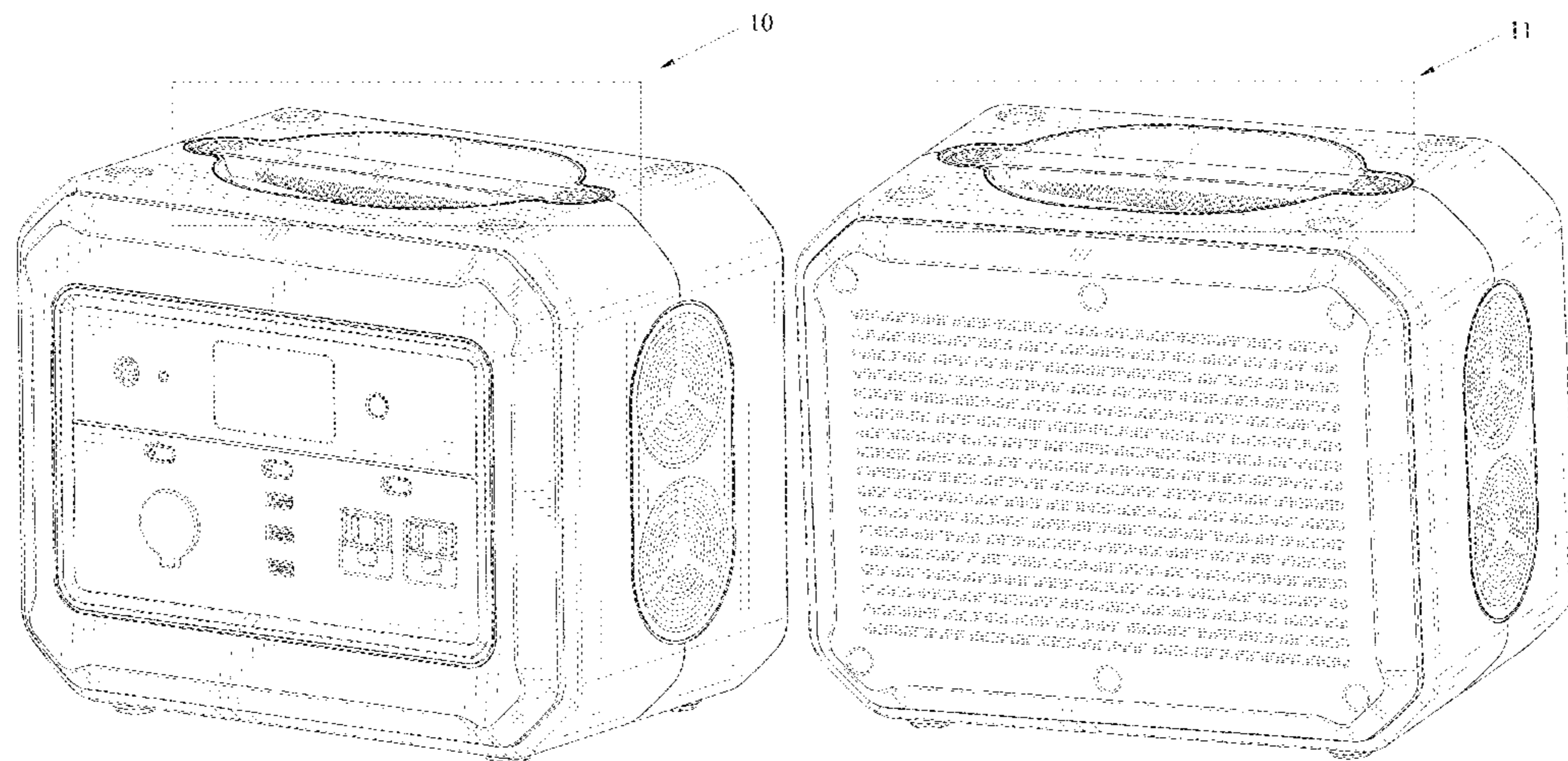
(57) **CLAIM**

The ornamental design for a portable power supply, as shown and described.

DESCRIPTION

FIG. 1 is a top, front, right side perspective view of a portable power supply showing my new design;
FIG. 2 is a top, rear, left side perspective view thereof;
FIG. 3 is a front view thereof;
FIG. 4 is a rear view thereof;
FIG. 5 is a left view thereof;
FIG. 6 is a right view thereof;
FIG. 7 is a top view thereof;
FIG. 8 is a bottom view thereof;
FIG. 9 is an enlarged view of the selected portion 9 in FIG. 7;
FIG. 10 is an enlarged view of the selected portion 10 in FIG. 1; and,
FIG. 11 is an enlarged view of the selected portion 11 in FIG. 2.
The broken lines shown in the figures depict portions of the portable power supply that form no part of the claimed design.

1 Claim, 6 Drawing Sheets



(56)

References Cited

U.S. PATENT DOCUMENTS

2011/0197882 A1* 8/2011 Truschel A61M 16/202
128/204.18
2016/0285295 A1* 9/2016 Marinov H02J 7/007

OTHER PUBLICATIONS

“Goal Zero Yeti Portable Power Station”. Found online Aug. 24, 2021 at amazon.com. Reference dated Aug. 7, 2016. Retrieved from https://www.amazon.com/Goal-Zero-Portable-Generator-Alternative/dp/B00D5RVMAM/ref=sr_1_9. (Year: 2016).*

“KYNG Portable Power Station”. Found online Aug. 24, 2021 at amazon.com. Reference dated Dec. 1, 2019. Retrieved from <https://www.amazon.com/Kyng-Power-Generator-Emergency-Rechargeable/dp/B07SVL2CP3>. (Year: 2019).*

* cited by examiner

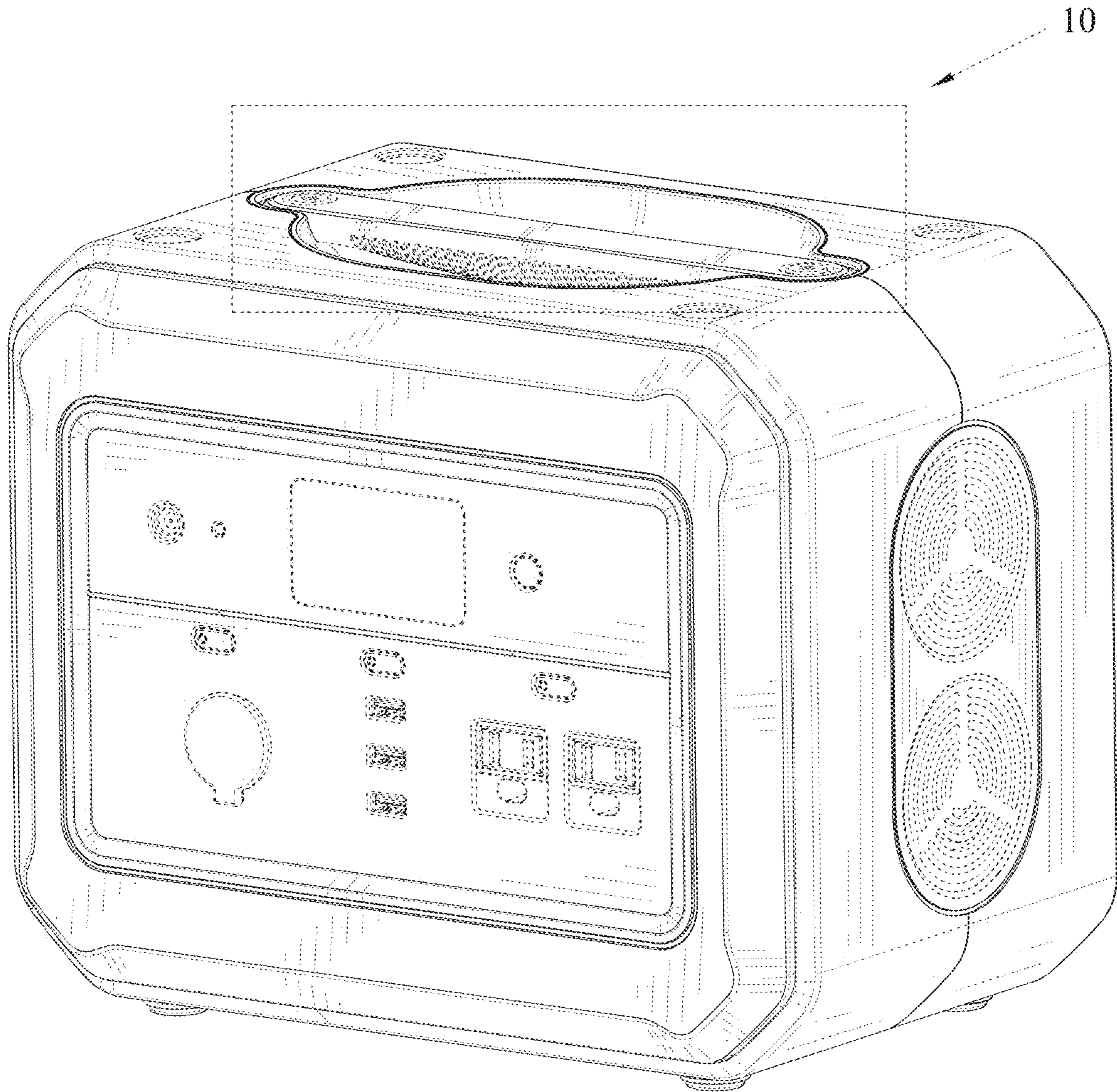


FIG. 1

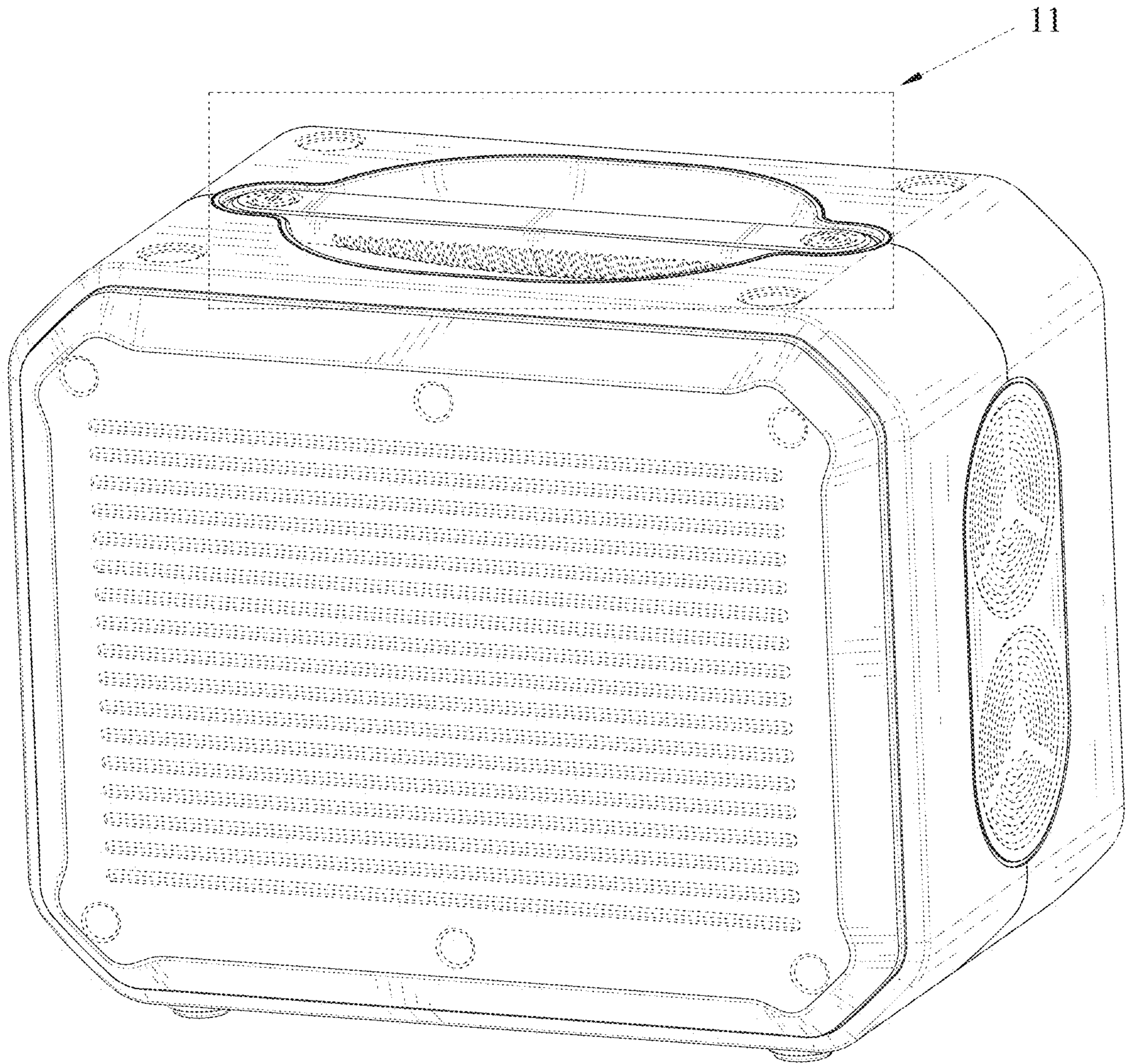


FIG. 2

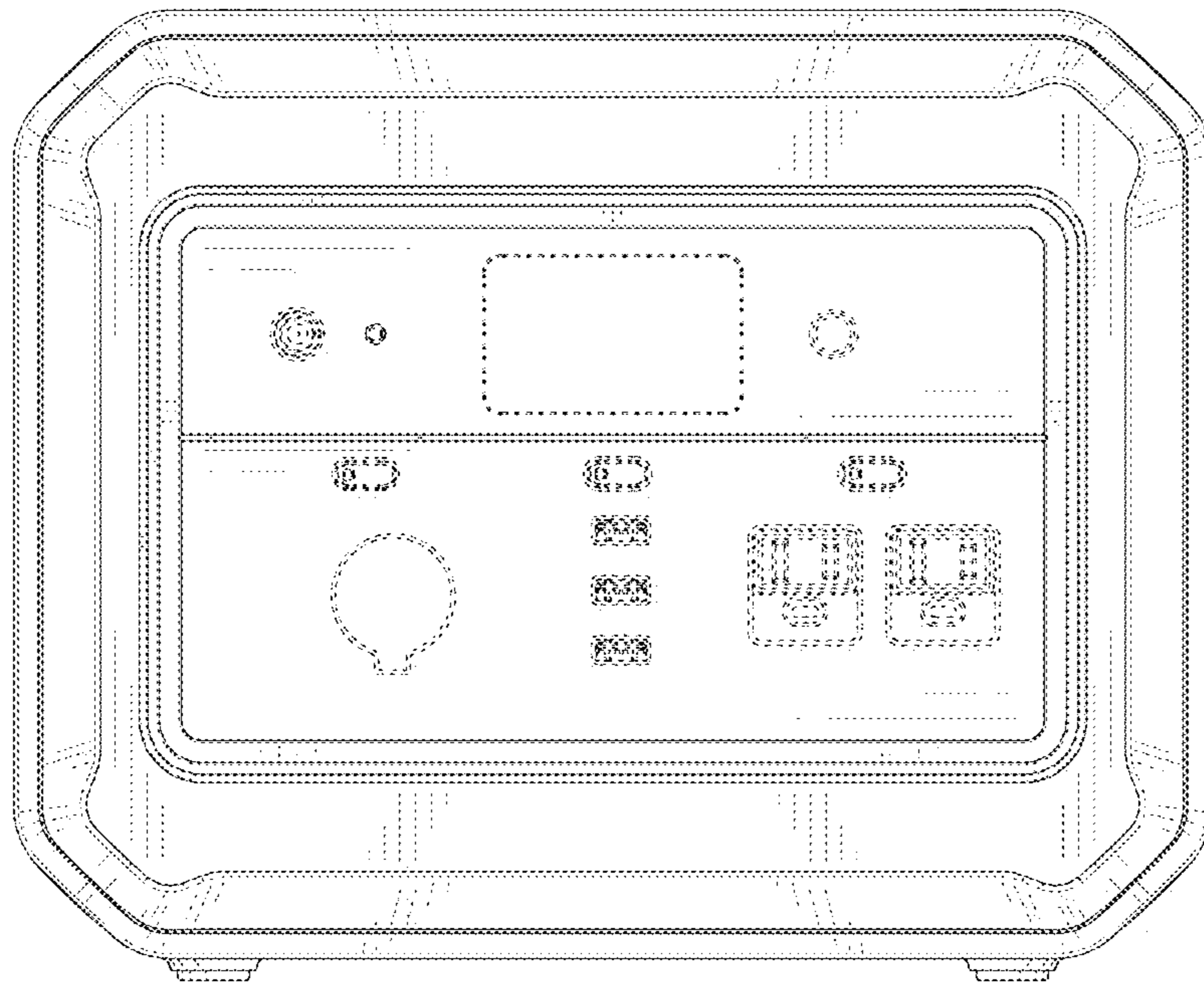


FIG. 3

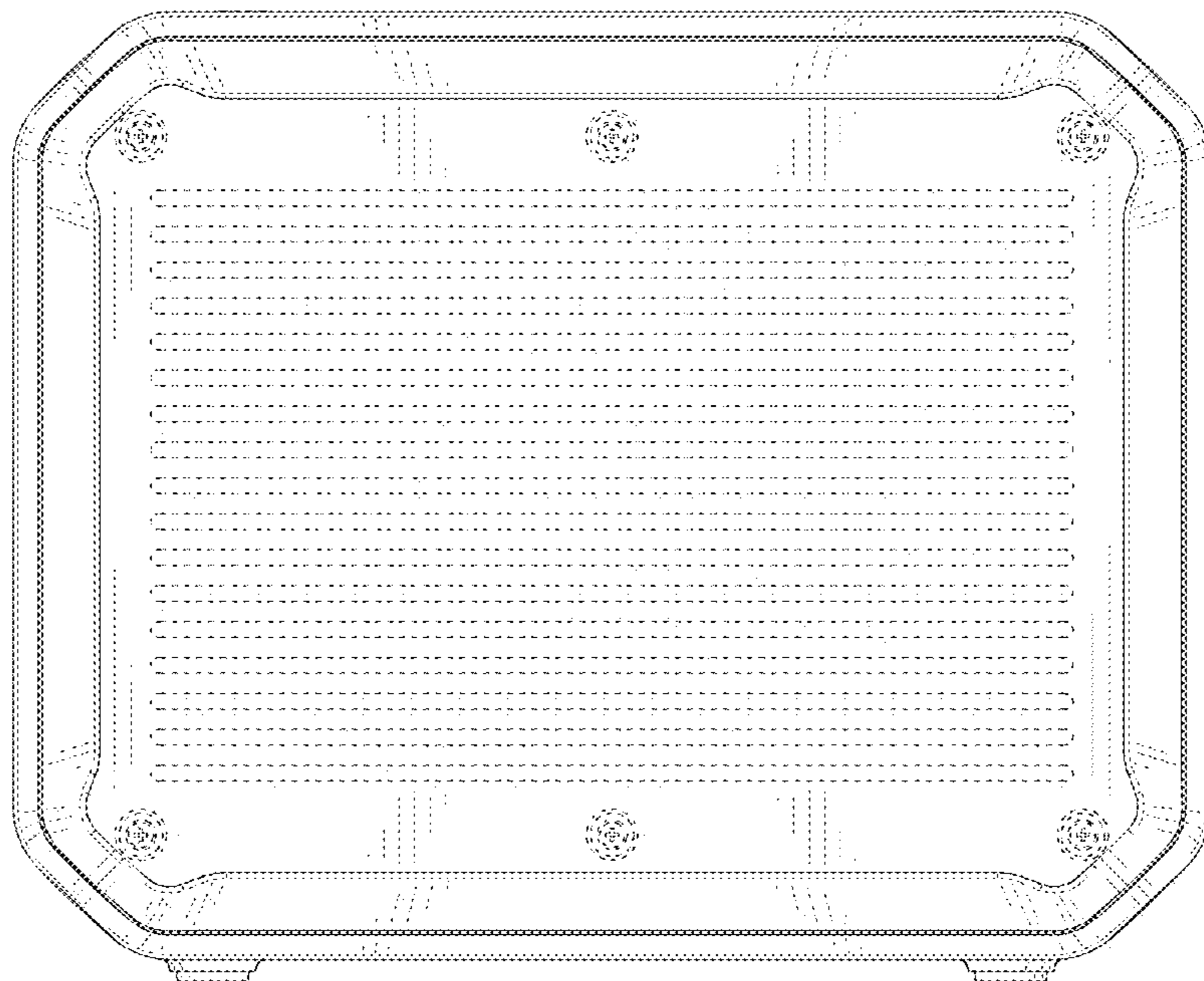


FIG. 4

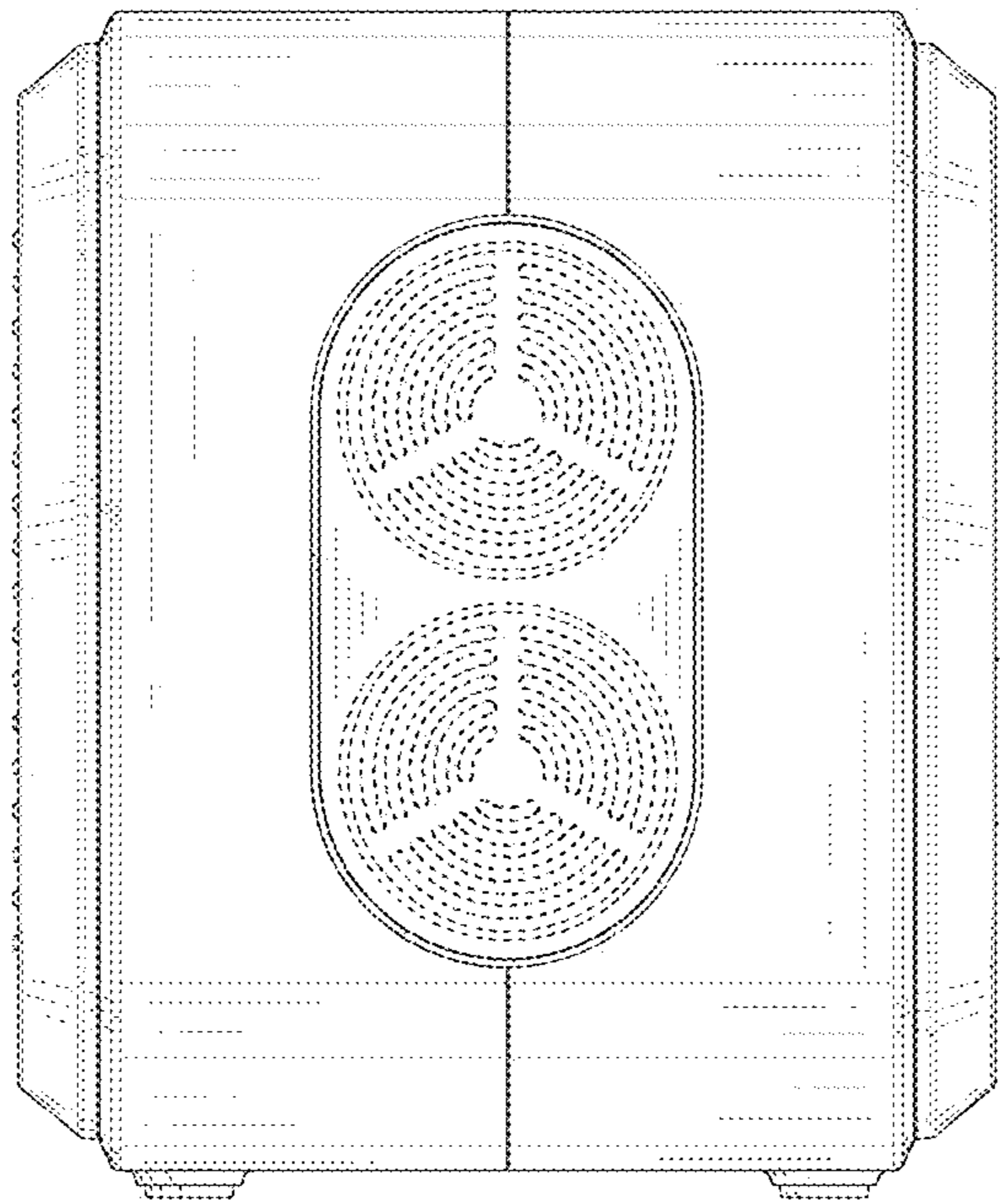


FIG. 5

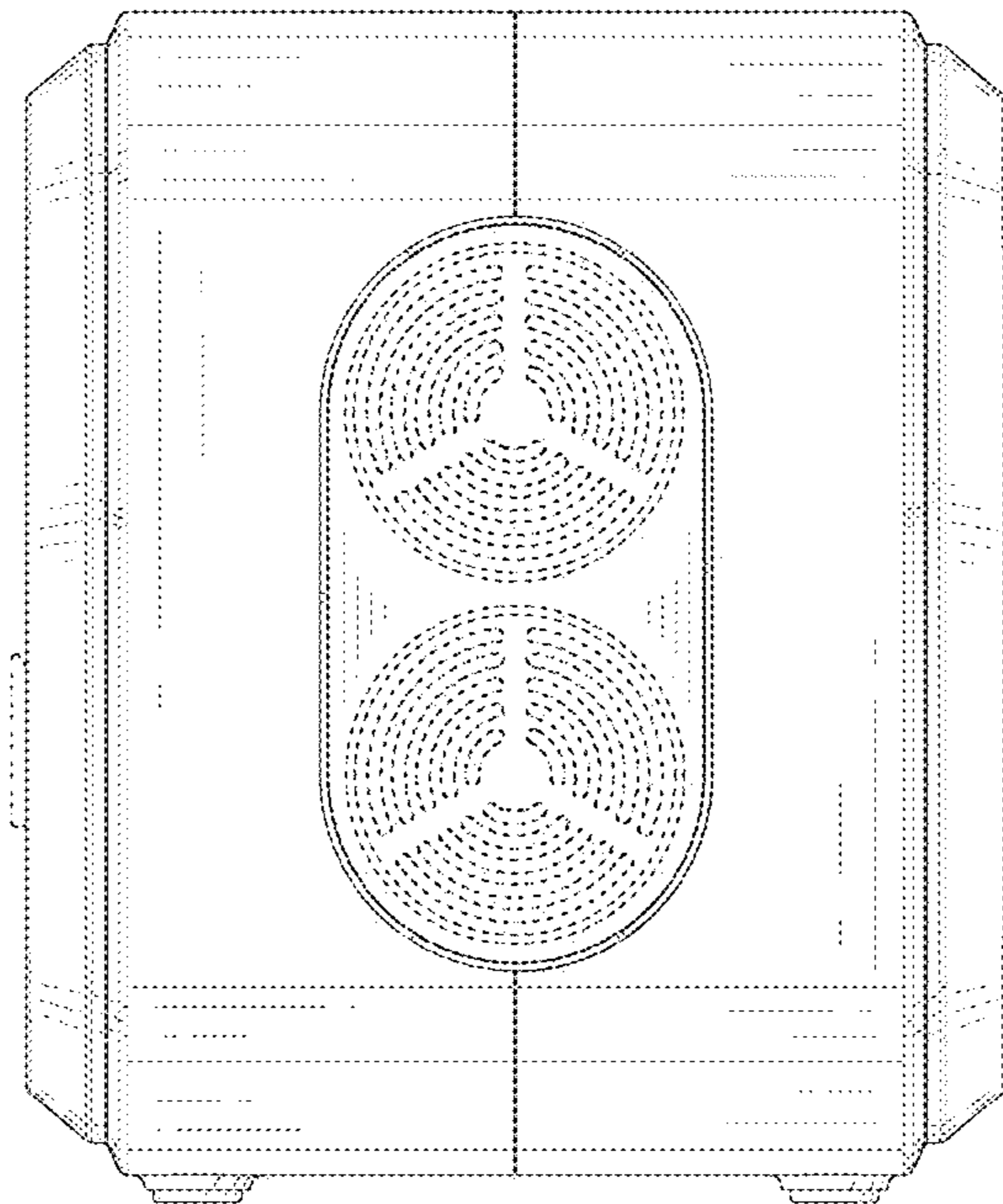


FIG. 6

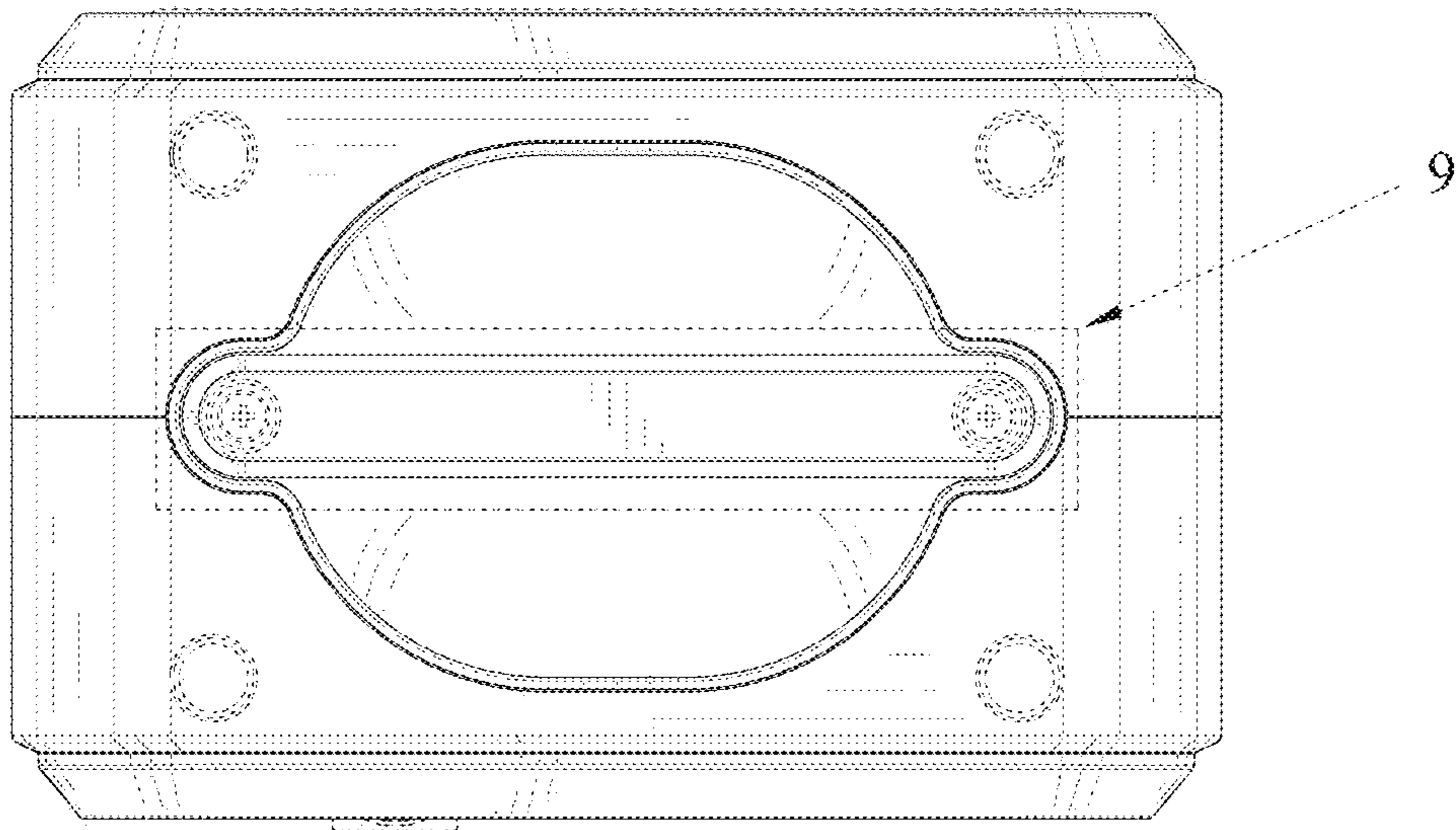


FIG. 7

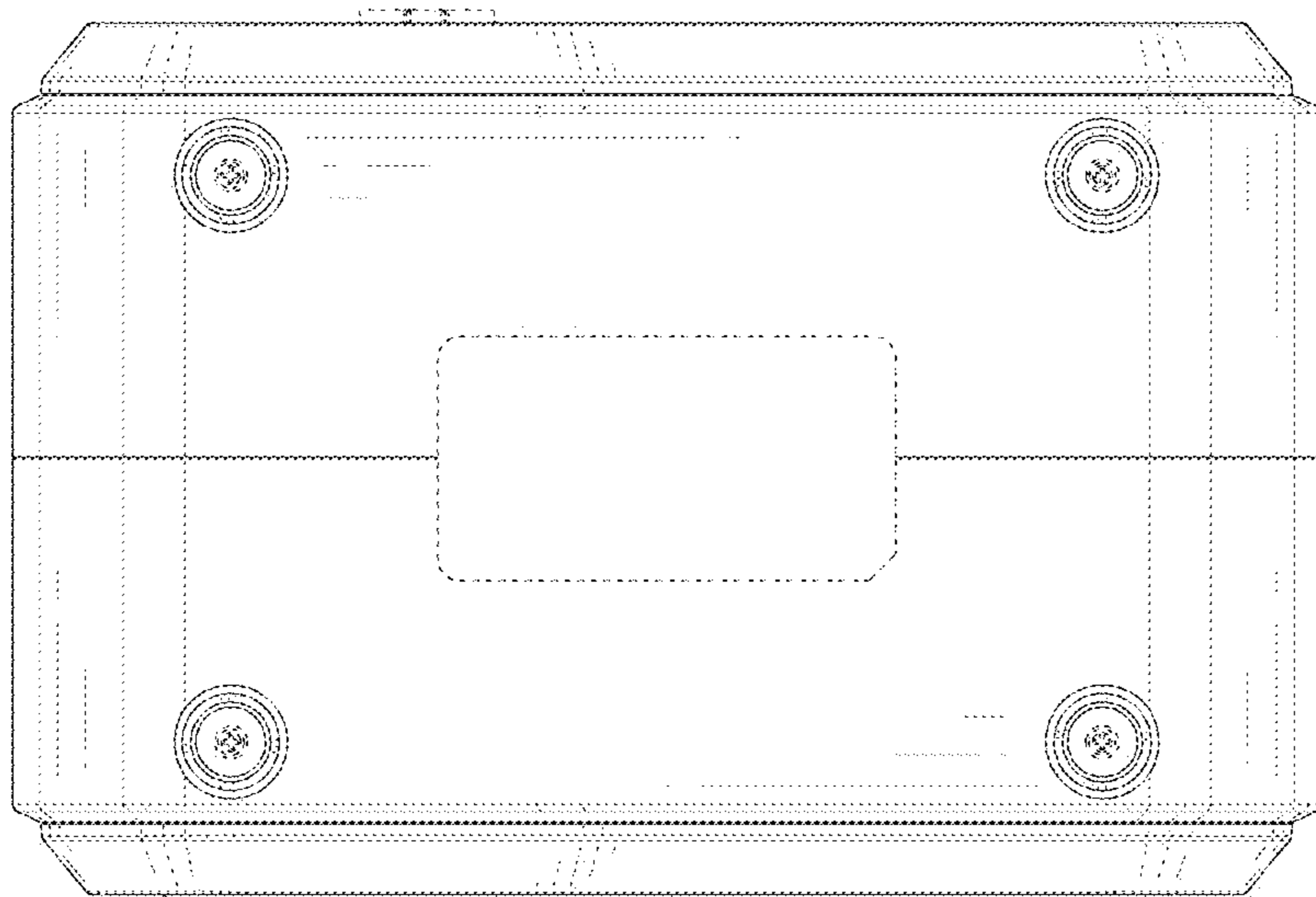


FIG. 8

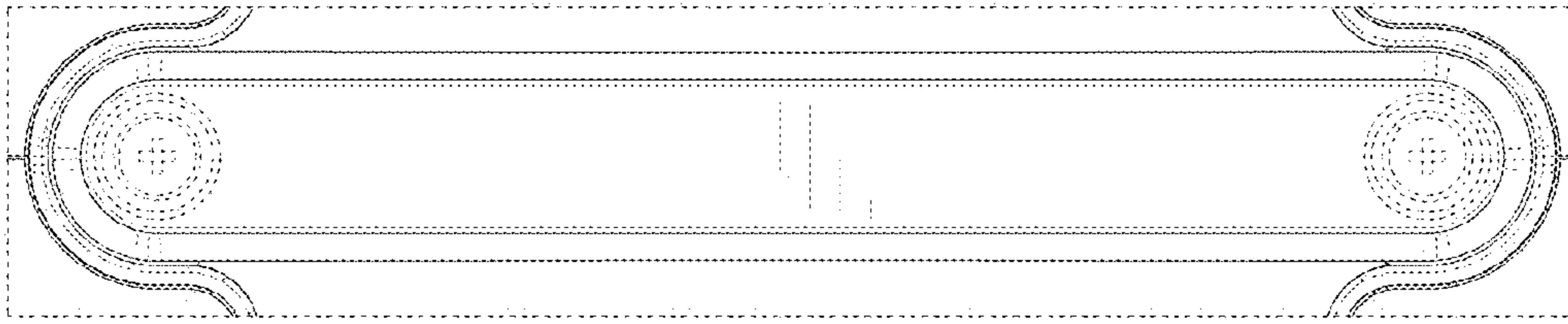


FIG. 9

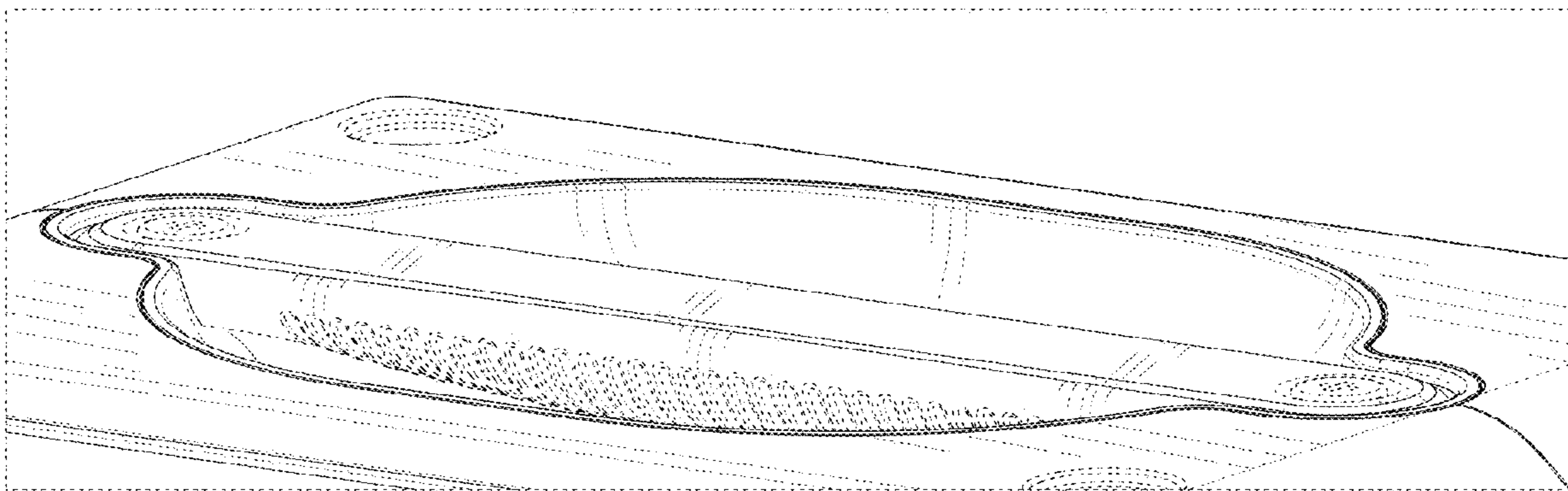


FIG. 10

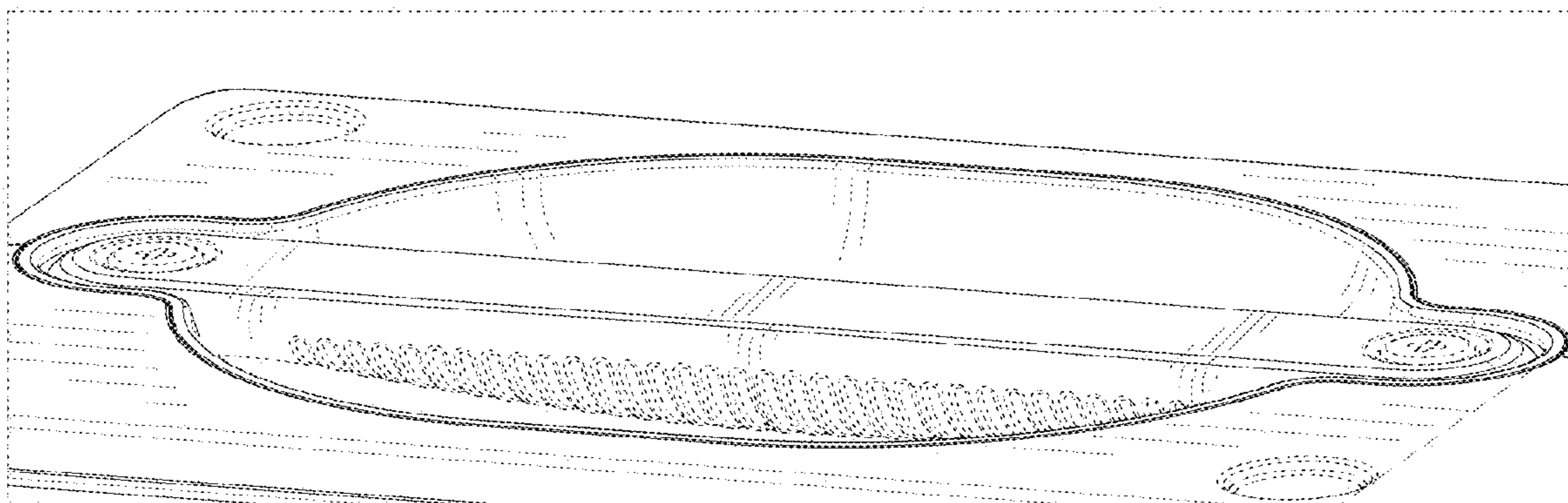


FIG. 11