

US00D944192S

(12) **United States Design Patent**  
**Eskridge et al.**

(10) **Patent No.:** **US D944,192 S**

(45) **Date of Patent:** **\*\* Feb. 22, 2022**

(54) **CHARGER**

(71) Applicant: **BLACK & DECKER INC.**, New Britain, CT (US)

(72) Inventors: **Evan G. Eskridge**, Baltimore, MD (US); **Tylan A. Tschopp**, Baltimore, MD (US)

(73) Assignee: **BLACK & DECKER INC.**, New Britain, CT (US)

(\*\*) Term: **15 Years**

(21) Appl. No.: **29/731,746**

(22) Filed: **Apr. 17, 2020**

(51) **LOC (13) Cl.** ..... **13-02**

(52) **U.S. Cl.**  
USPC ..... **D13/107**

(58) **Field of Classification Search**  
USPC ..... D13/103, 107, 108, 110, 118, 119, 122, D13/184, 199

CPC ..... Y02E 60/12; Y02E 60/122; Y02E 60/124; Y02E 60/50; H02J 7/025; H02J 7/0042; H02J 7/0044; H02J 7/0045; H02J 7/0003; H01R 13/6675; H01M 2/1022; H01M 2/1055; H01M 10/44; H01M 10/46; H01M 10/425; B60L 11/182

See application file for complete search history.

(56) **References Cited**

**U.S. PATENT DOCUMENTS**

D559,175 S \* 1/2008 Houghton ..... D13/103  
D655,243 S \* 3/2012 Au ..... D13/108

D773,992 S \* 12/2016 Krantz ..... D13/110  
D792,846 S \* 7/2017 Zheng ..... D13/110  
D823,244 S \* 7/2018 Yaprak ..... D13/108  
D840,333 S \* 2/2019 Cooper ..... D13/103  
D879,711 S \* 3/2020 Ruiwu ..... D13/108  
D879,714 S \* 3/2020 Zhang ..... D13/110  
10,666,064 B2 \* 5/2020 Hennesy ..... H02J 7/0044  
D892,736 S \* 8/2020 Jin ..... D13/108  
D892,737 S \* 8/2020 Yuan ..... D13/110  
D900,738 S \* 11/2020 Liu ..... D13/108  
D901,383 S \* 11/2020 Pang ..... D13/110  
D902,853 S \* 11/2020 Lin ..... D13/108  
D904,765 S \* 12/2020 Hyun ..... D3/302  
D909,969 S \* 2/2021 Yoon ..... D13/110  
D916,655 S \* 4/2021 Fang ..... D13/108  
D920,234 S \* 5/2021 Ishida ..... D13/108

\* cited by examiner

*Primary Examiner* — Christy Nemeth

(74) *Attorney, Agent, or Firm* — Adan Ayala

(57) **CLAIM**

The ornamental design for a charger, as shown and described.

**DESCRIPTION**

FIG. 1 is a front perspective view of a charger according to the invention.

FIG. 2 is a front view of the charger of FIG. 1.

FIG. 3 is a rear view of the charger of FIG. 1.

FIG. 4 is a right side view of the charger of FIG. 1.

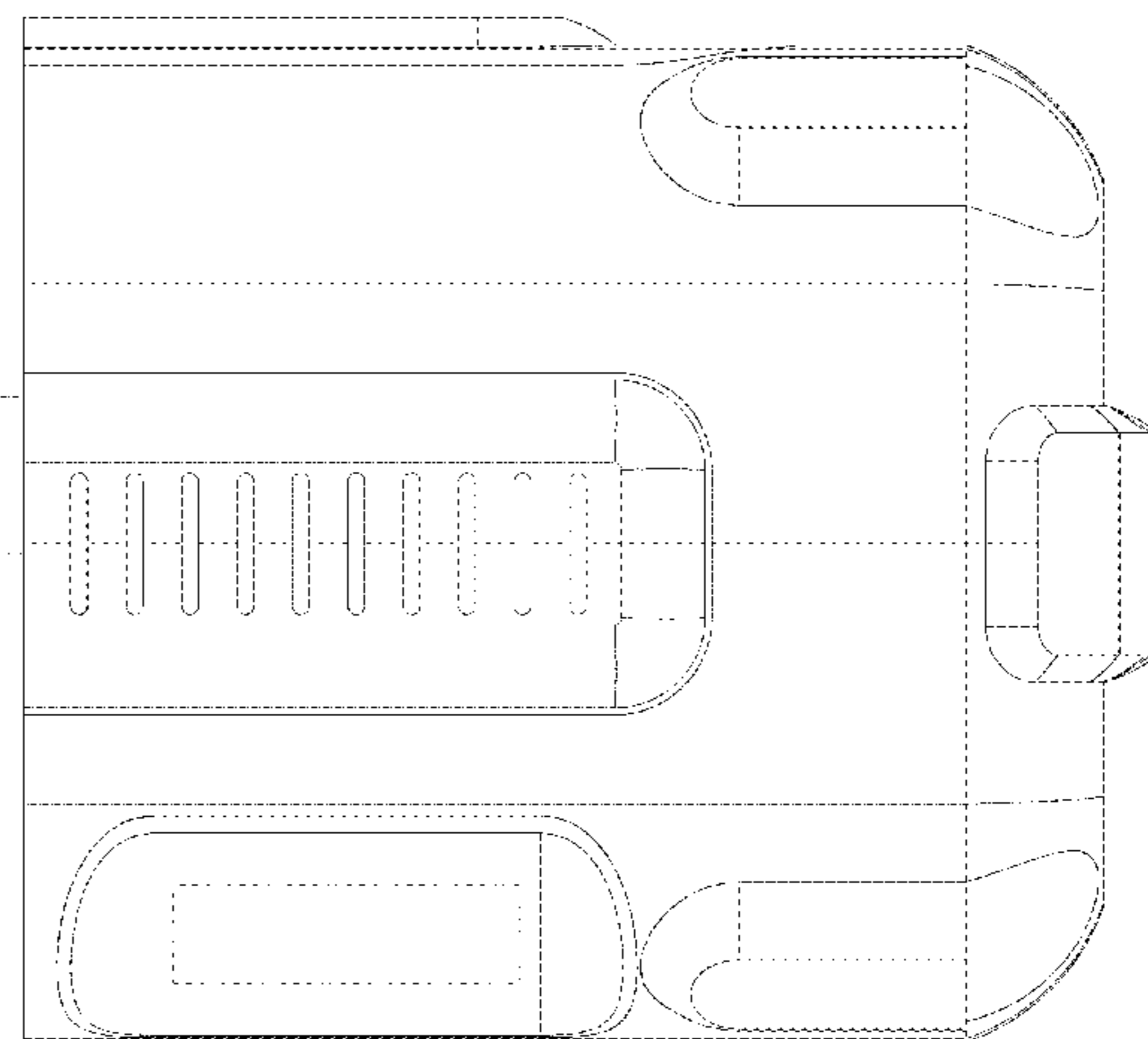
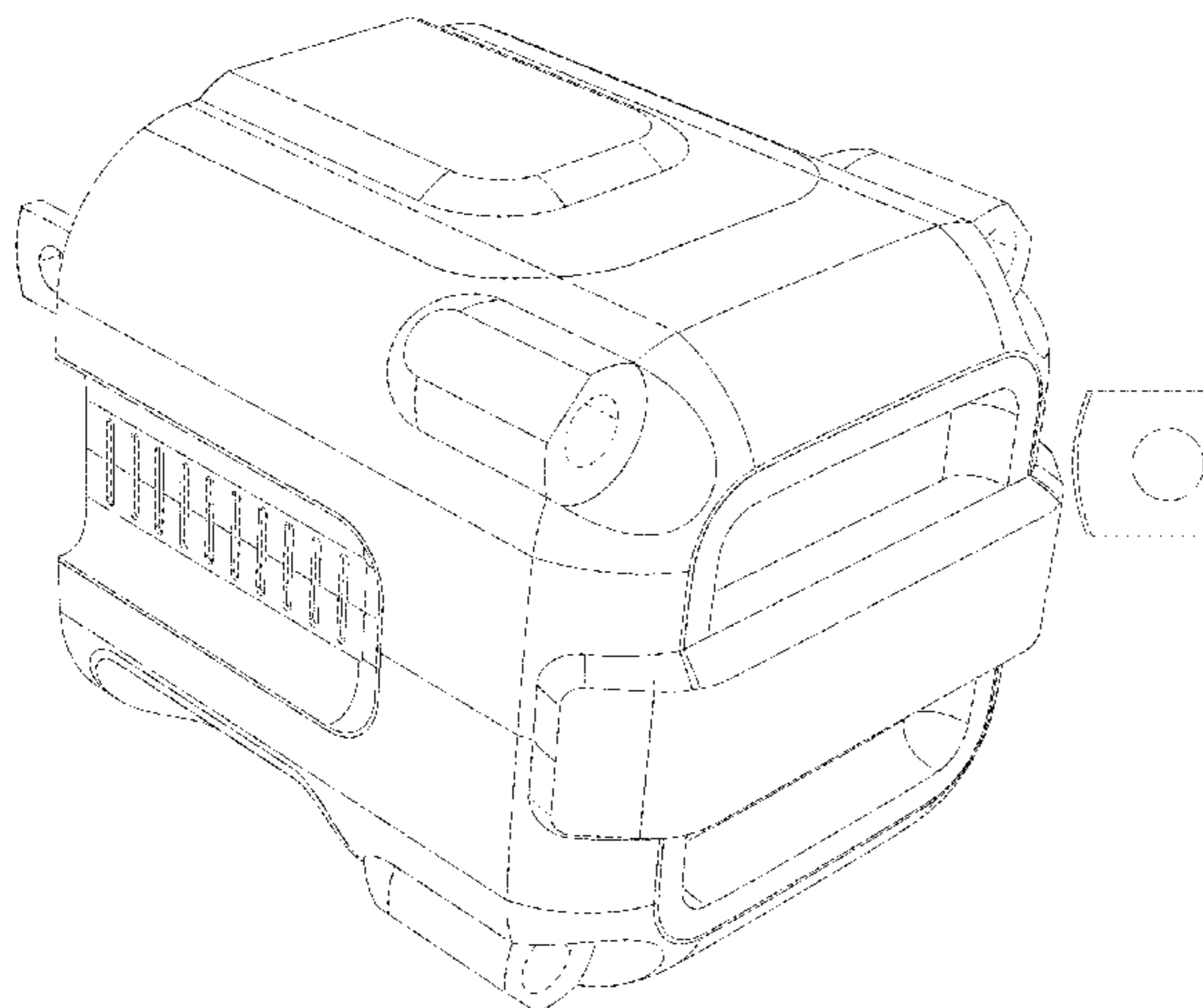
FIG. 5 is a left side view of the charger of FIG. 1.

FIG. 6 is a top plan view of the charger of FIG. 1; and,

FIG. 7 is a bottom plan view of the charger of FIG. 1.

The broken lines shown in the drawings depict portions of the charger that form no part of the claimed design.

**1 Claim, 7 Drawing Sheets**



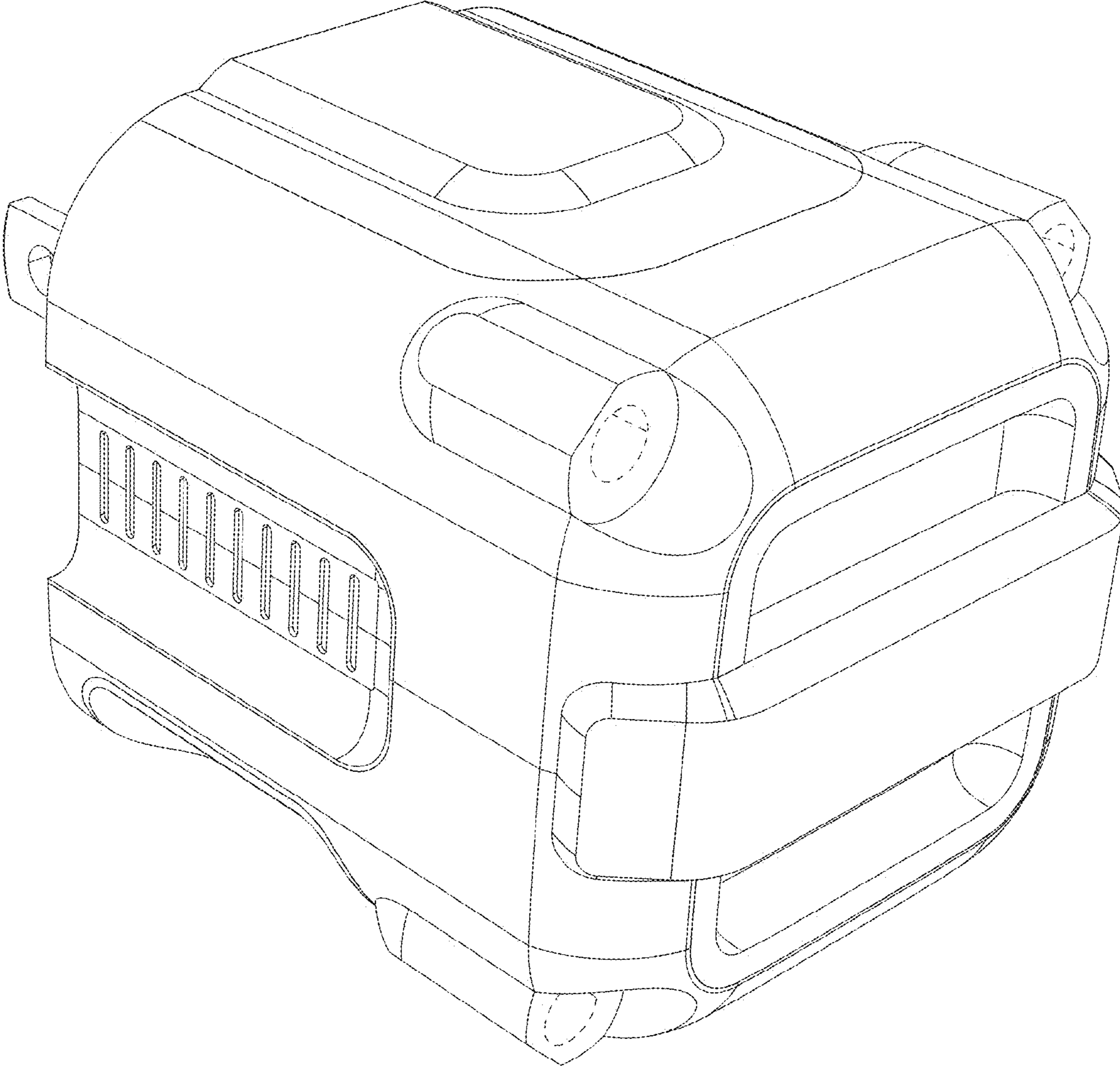


FIG. 1

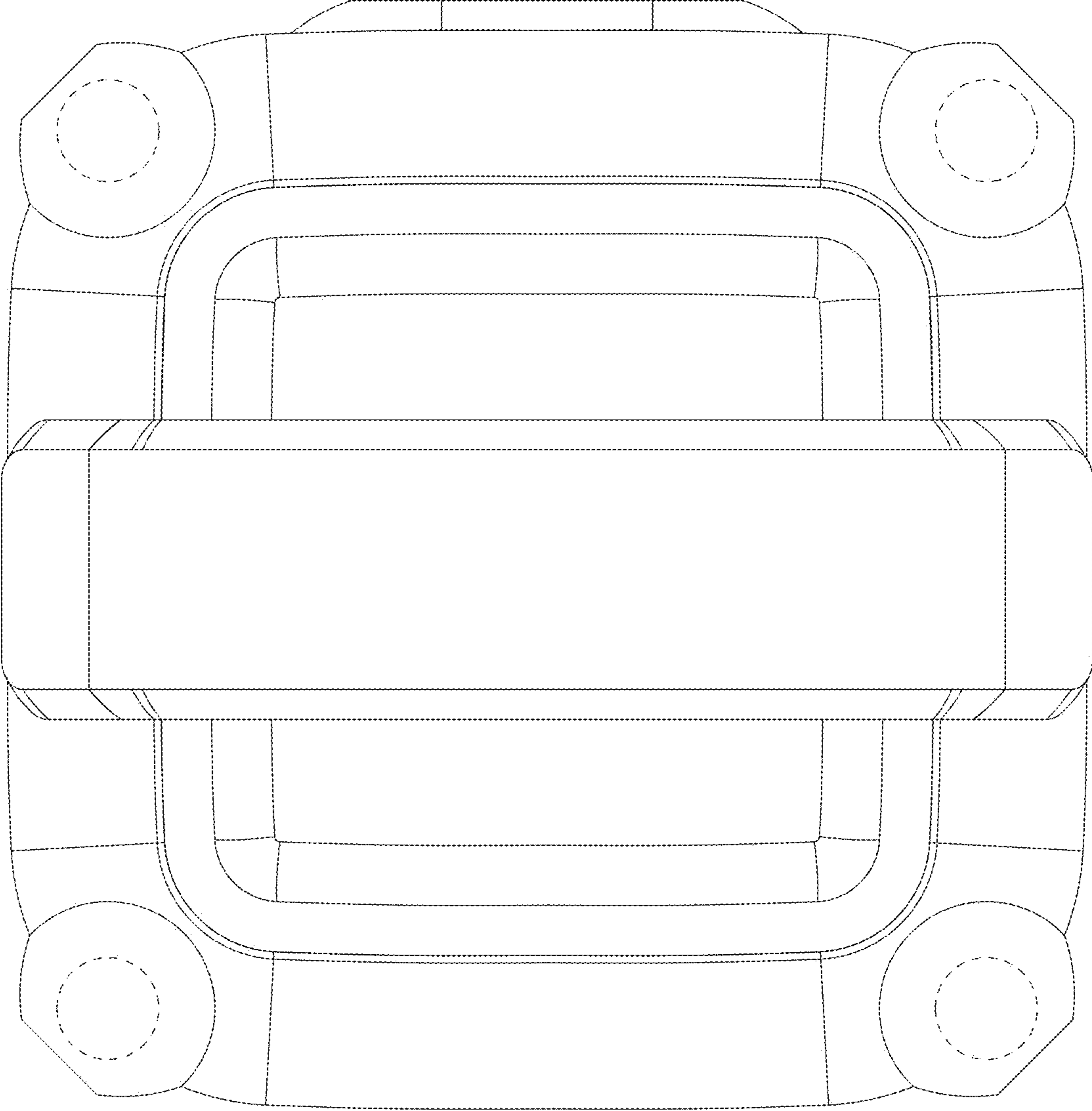


FIG. 2

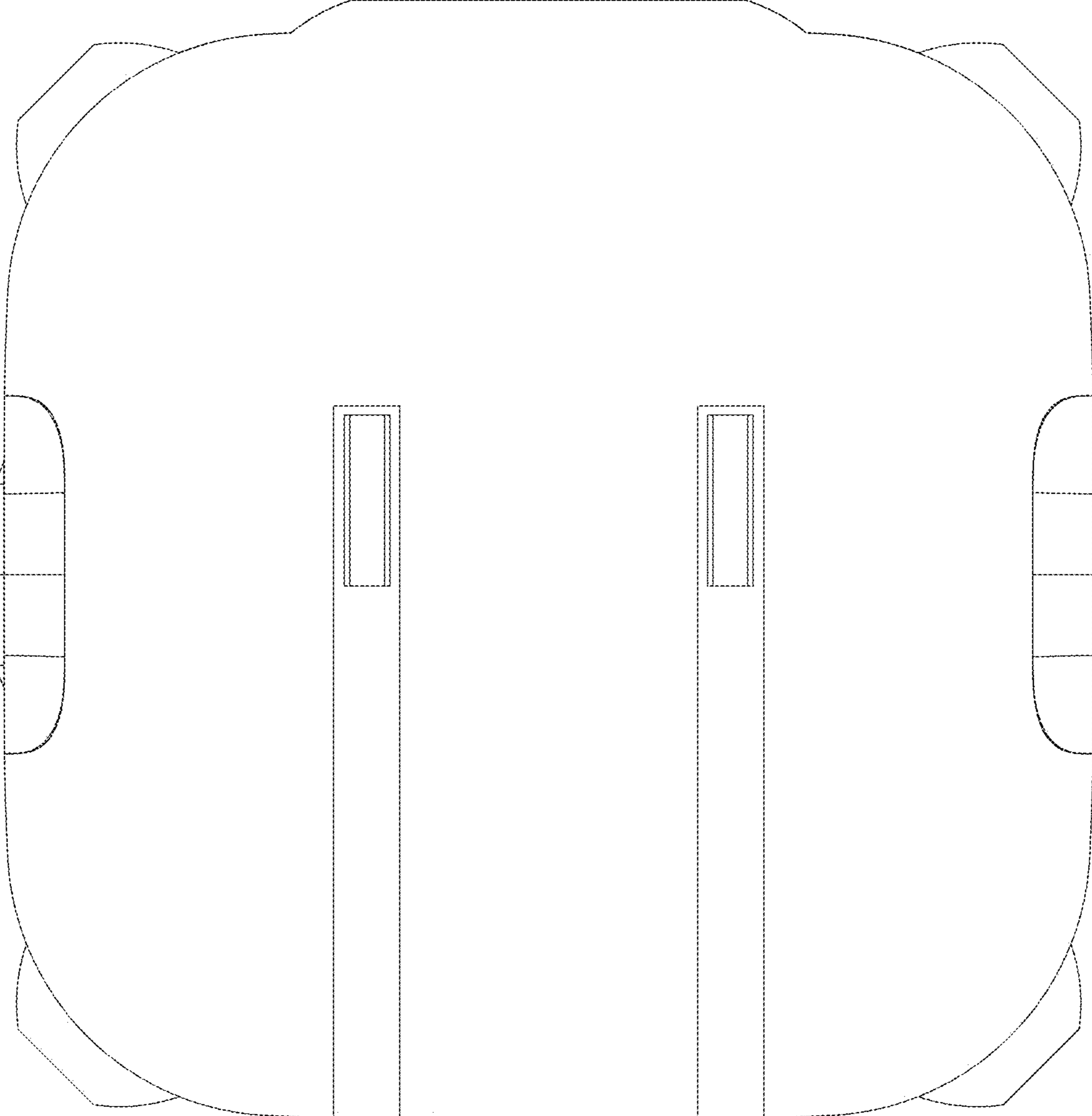


FIG. 3

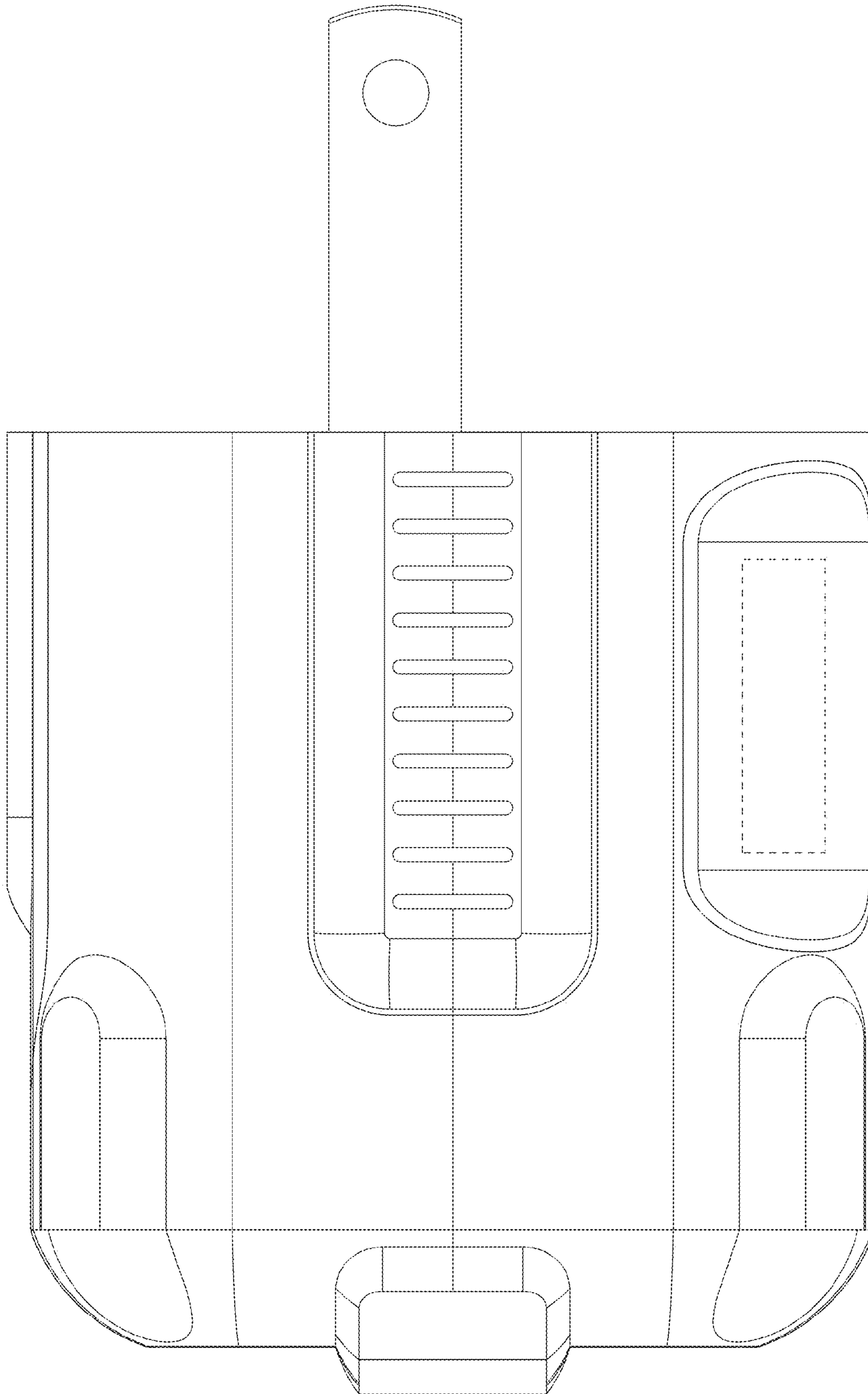


FIG. 4

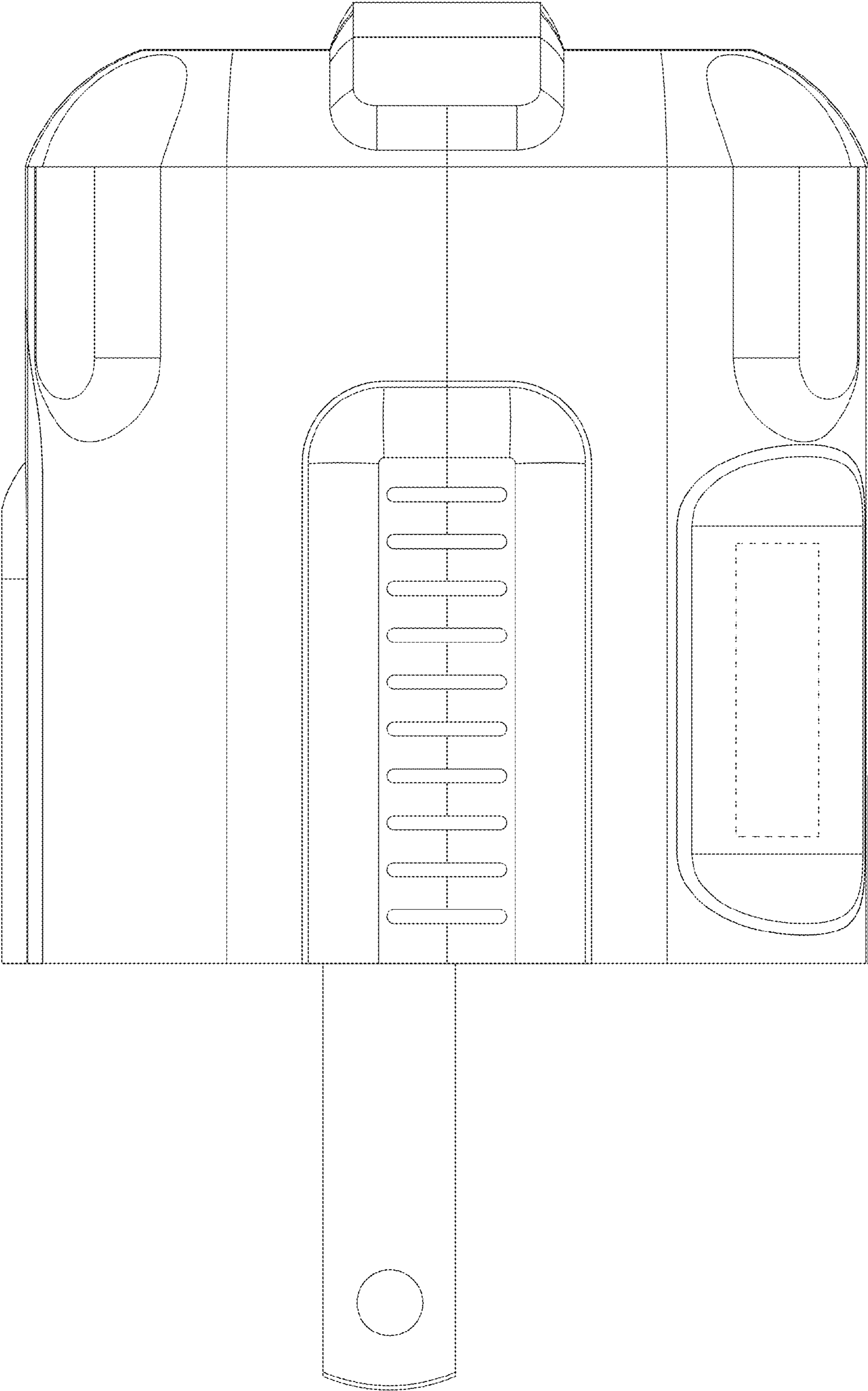


FIG. 5

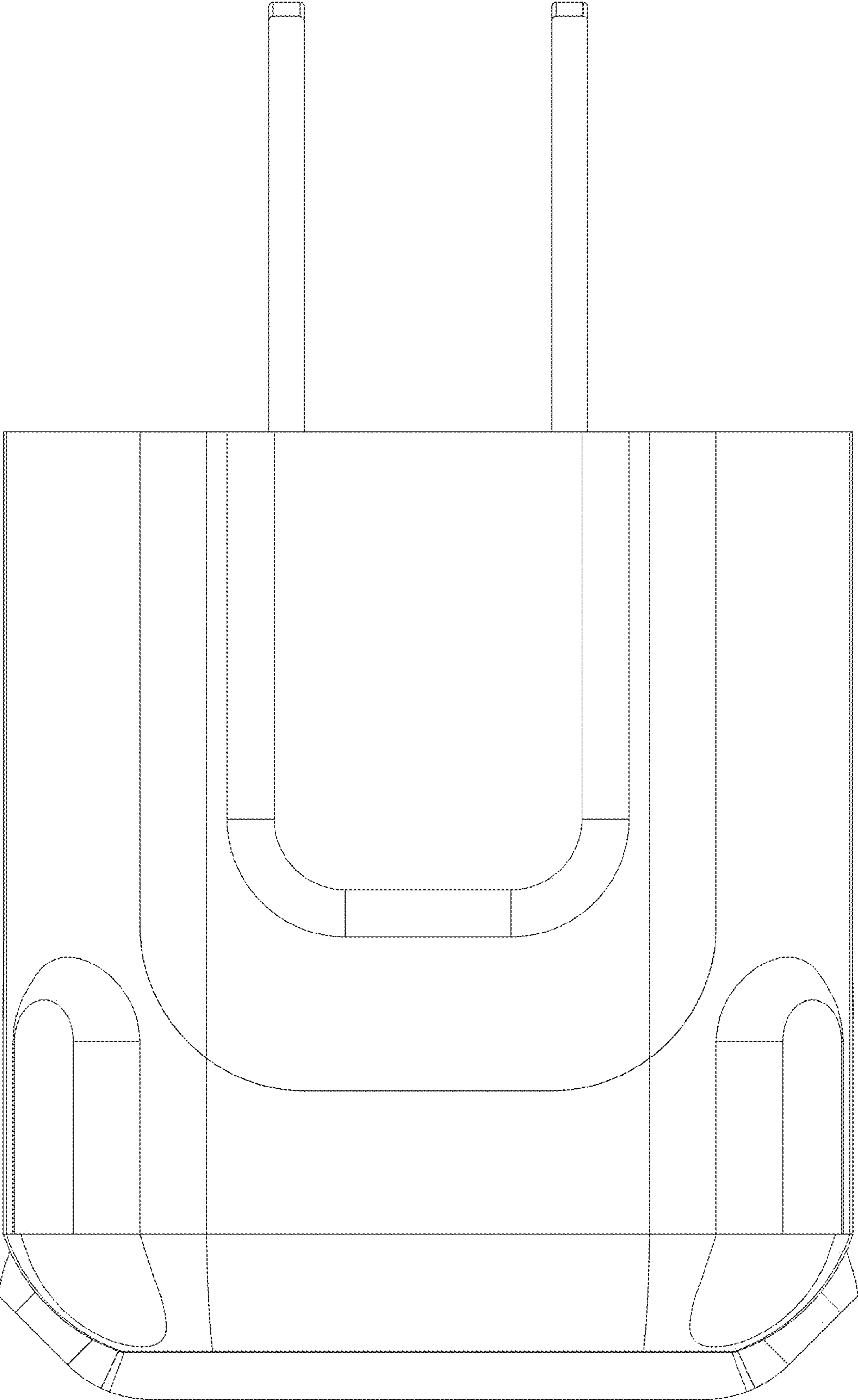


FIG. 6

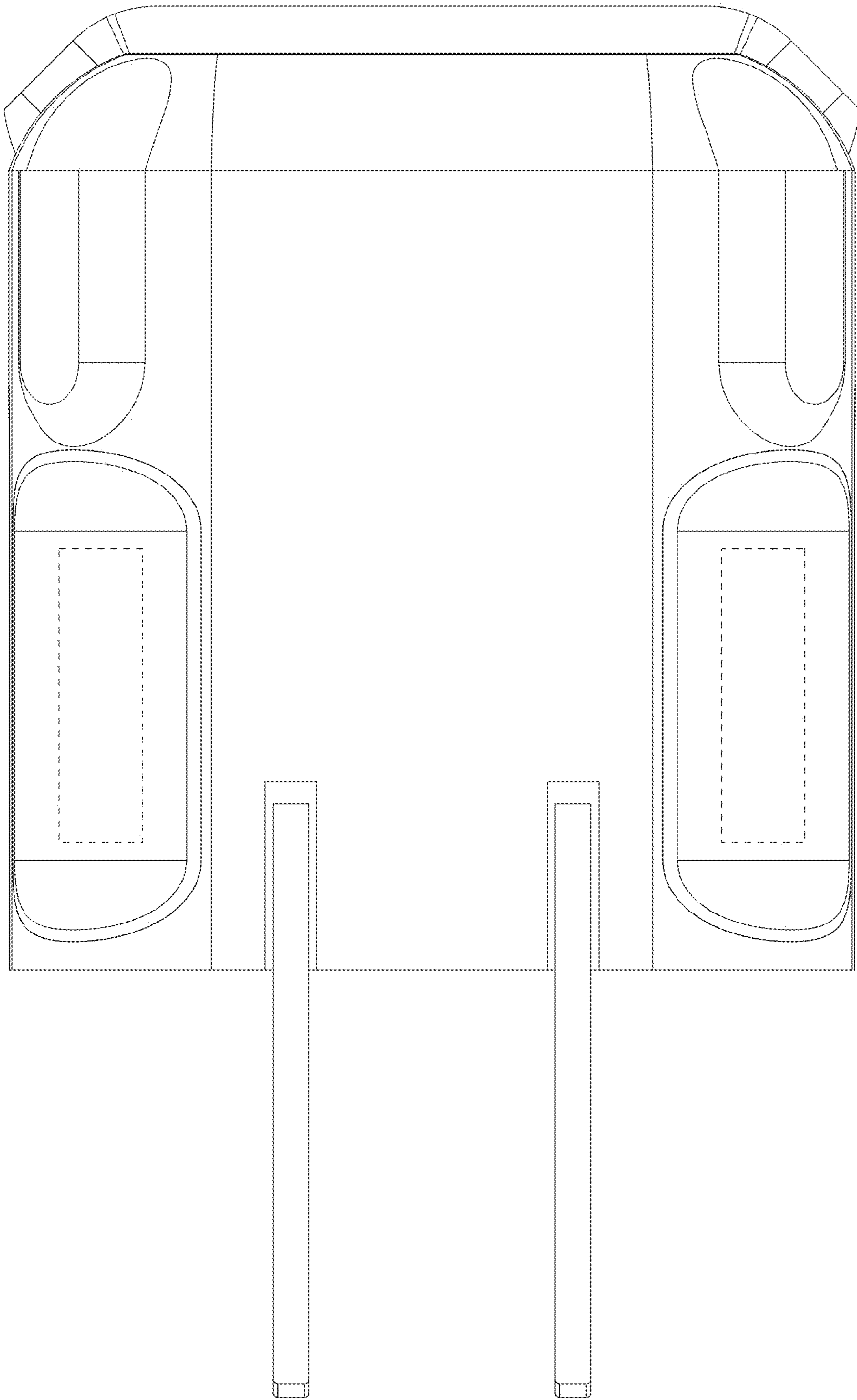


FIG. 7