



US00D944191S

(12) **United States Design Patent** (10) **Patent No.:** **US D944,191 S**
Wang (45) **Date of Patent:** **** Feb. 22, 2022**

(54) **JUMP STARTER**
(71) Applicant: **AUTEL INTELLIGENT TECHNOLOGY CORP., LTD.,**
Guangdong (CN)
(72) Inventor: **Yongshuai Wang,** Guangdong (CN)
(73) Assignee: **AUTEL INTELLIGENT TECHNOLOGY CORP., LTD.,**
Shenzhen (CN)
(**) Term: **15 Years**
(21) Appl. No.: **29/725,895**
(22) Filed: **Feb. 27, 2020**

D746,770 S * 1/2016 Nook D13/107
D760,164 S * 6/2016 Aida D13/110
D786,192 S * 5/2017 Liu D13/107
D803,151 S * 11/2017 Zhou D13/107
D821,306 S * 6/2018 Liu D13/107
D832,781 S * 11/2018 Nook D13/107
D836,064 S * 12/2018 Liu D13/102
D851,586 S * 6/2019 Liu D13/108
D872,011 S * 1/2020 Rao D13/107
D872,012 S * 1/2020 Rao D13/107
D874,396 S * 2/2020 Rao D13/107
D884,608 S * 5/2020 Gan D13/107
D885,330 S * 5/2020 Gan D13/107
D892,727 S * 8/2020 Gan D13/107
D896,749 S * 9/2020 Wu D13/107
D902,851 S * 11/2020 Wu D13/107
D919,572 S * 5/2021 Lei D13/110
D926,123 S * 7/2021 Zhu D13/107
D926,124 S * 7/2021 Zhu D13/107
2016/0359352 A1 * 12/2016 Chiu F02N 11/12

(30) **Foreign Application Priority Data**
Sep. 12, 2019 (CN) 201930504303.0
(51) **LOC (13) Cl.** **13-02**
(52) **U.S. Cl.**
USPC **D13/107**
(58) **Field of Classification Search**
USPC D13/118-119, 184, 199, 103, 107-108,
D13/110; D14/251, 253, 432, 434
CPC H02J 7/025; H02J 7/0042; H02J 7/0044;
H02J 7/0045; H02J 7/0047; H02J 7/0003;
H02J 7/00047; H02J 7/0013; H02J
7/0027; H02J 7/02; H02J 50/10; H02J
50/12
See application file for complete search history.

(56) **References Cited**
U.S. PATENT DOCUMENTS
D701,490 S * 3/2014 Inskip D13/110
D745,455 S * 12/2015 Nook D13/107

* cited by examiner

Primary Examiner — Rosemary K Tarcza

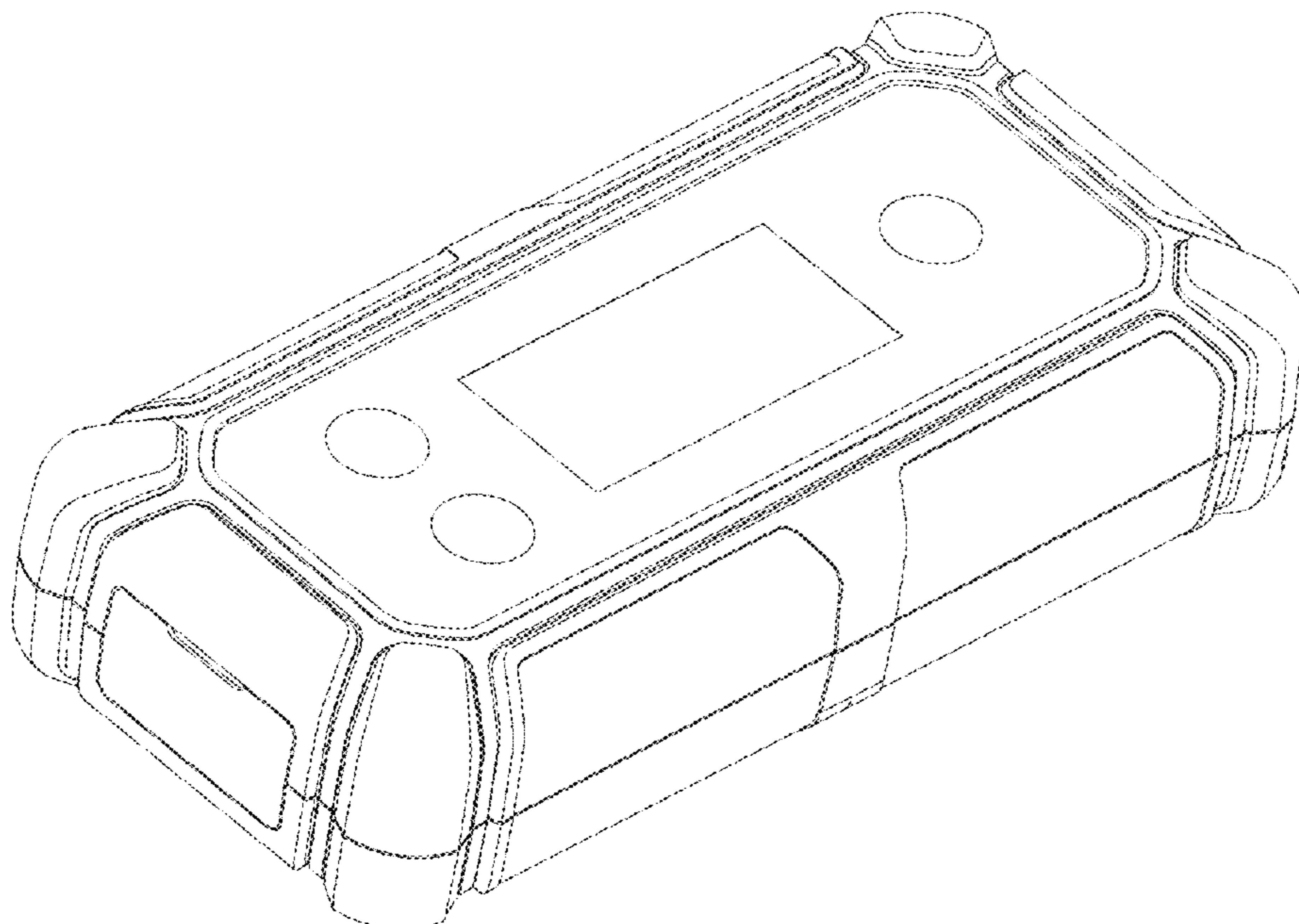
(57) **CLAIM**

I claim the ornamental design for a jump starter, as shown and described.

DESCRIPTION

FIG. 1 is a front elevational view of a jump starter showing my new design;
FIG. 2 is a back elevational view thereof;
FIG. 3 is a left side elevational view thereof;
FIG. 4 is a right side elevational view thereof;
FIG. 5 is a top plan view thereof;
FIG. 6 is a bottom plan view thereof;
FIG. 7 is a front perspective view thereof; and,
FIG. 8 is a back perspective view thereof.

1 Claim, 4 Drawing Sheets



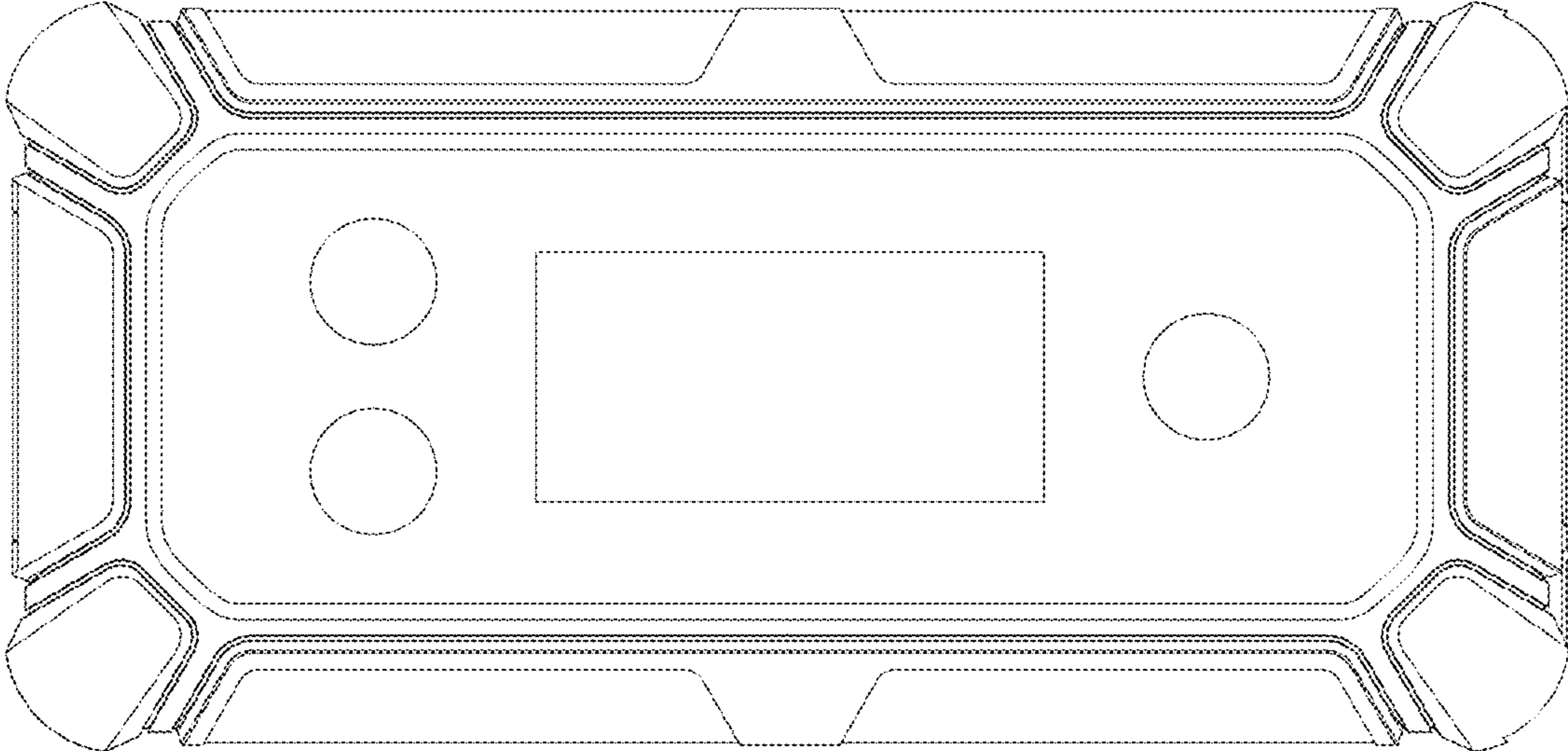


FIG.1

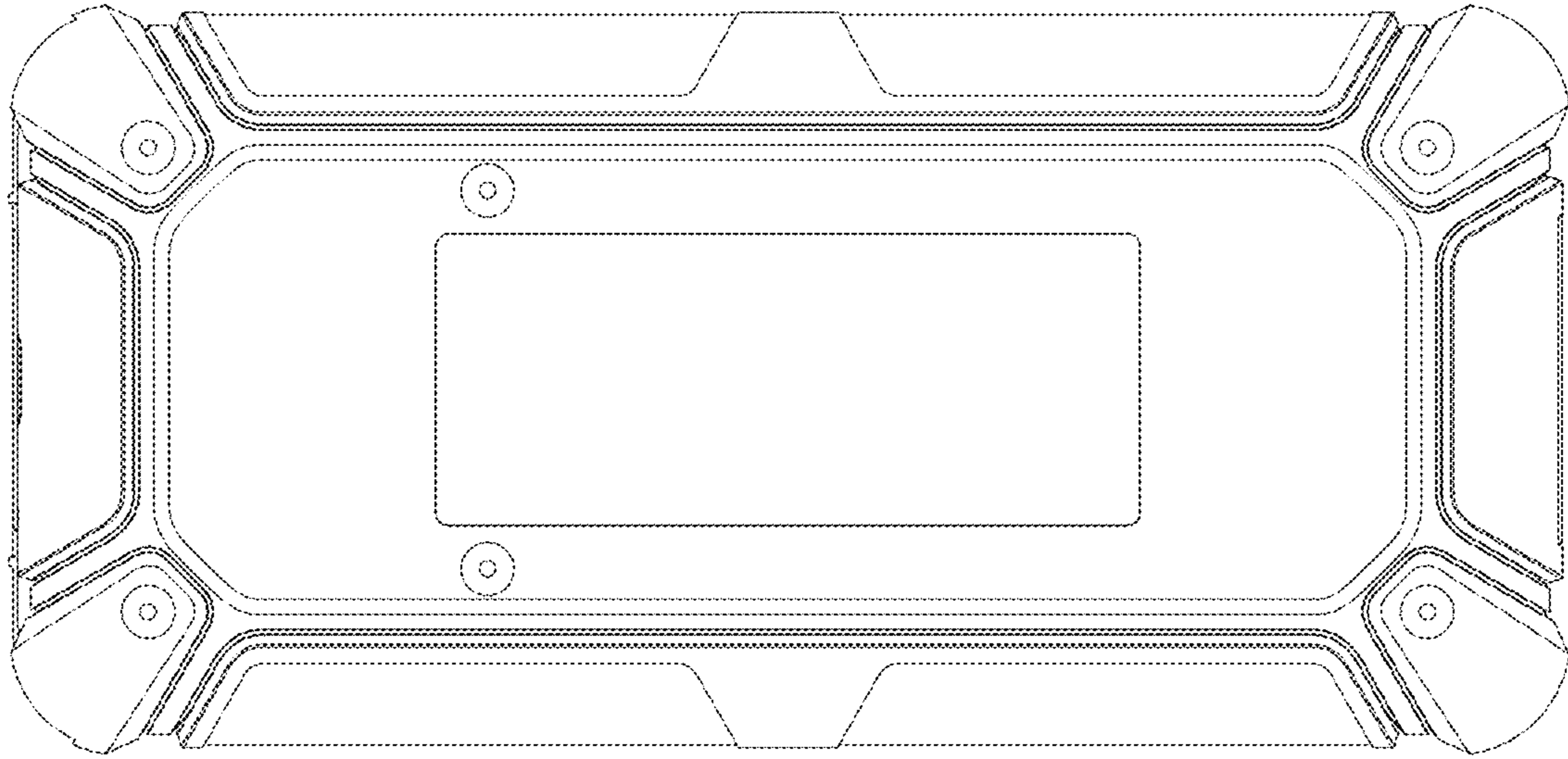


FIG. 2

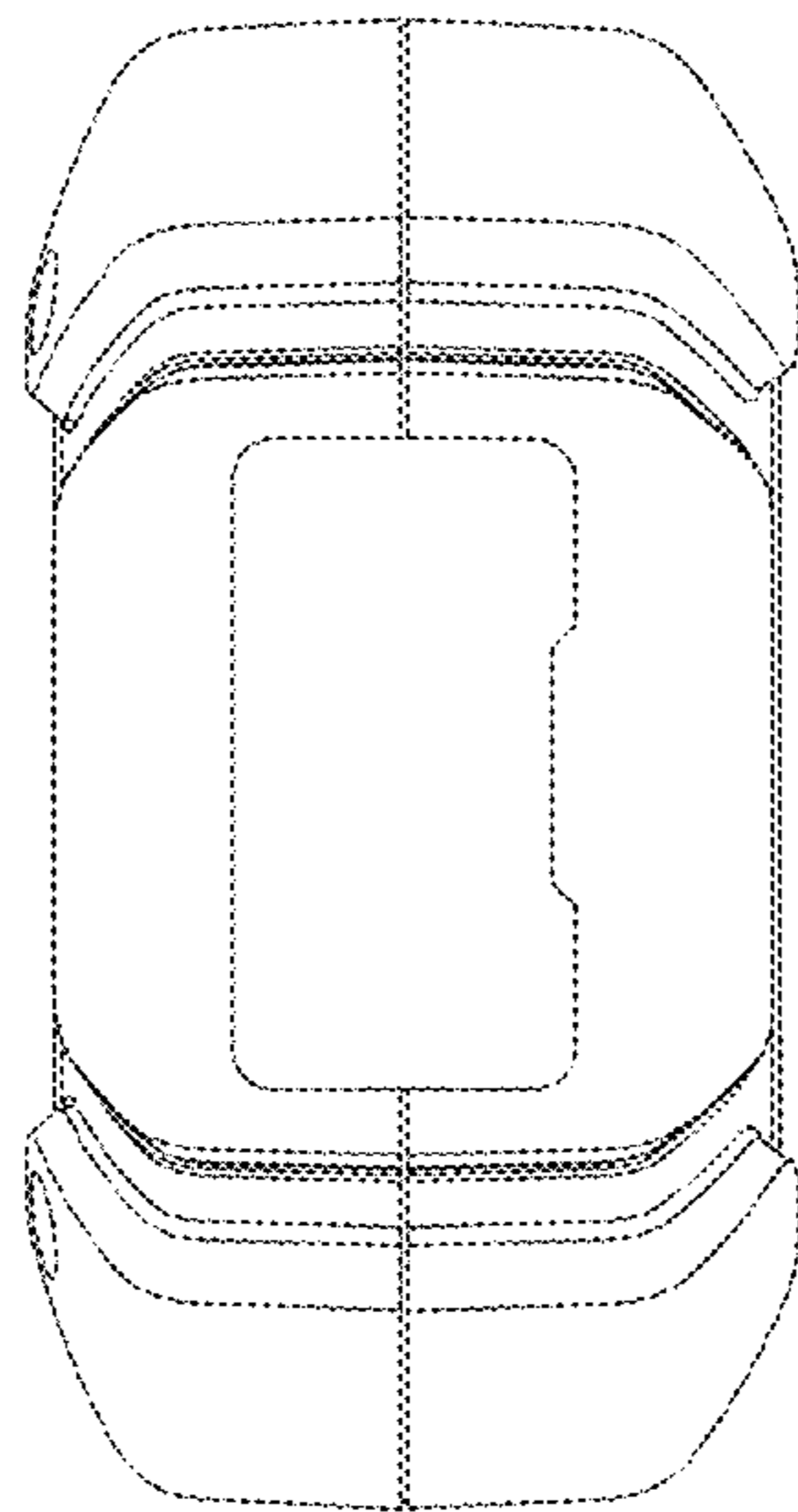


FIG. 3

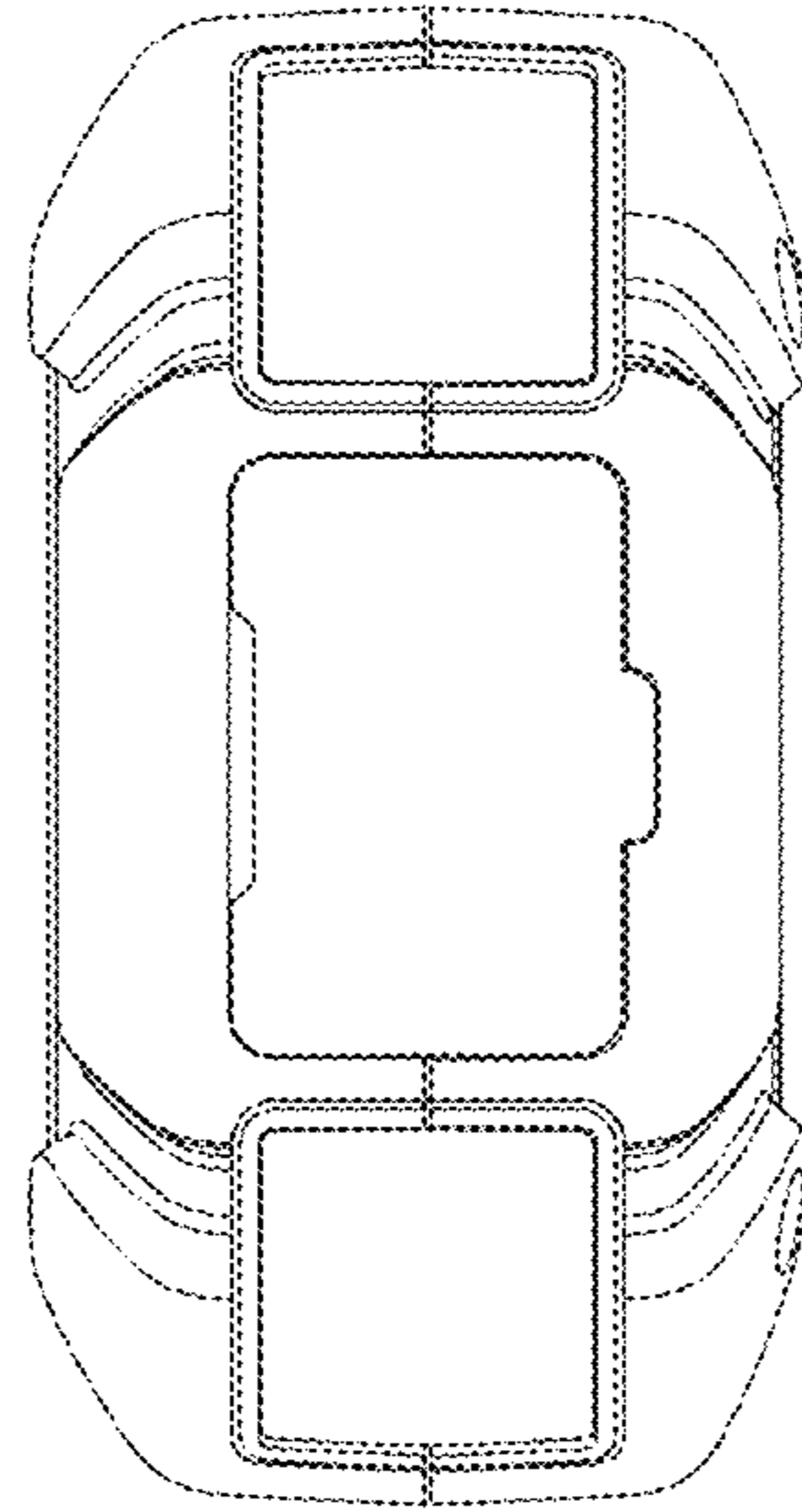


FIG. 4

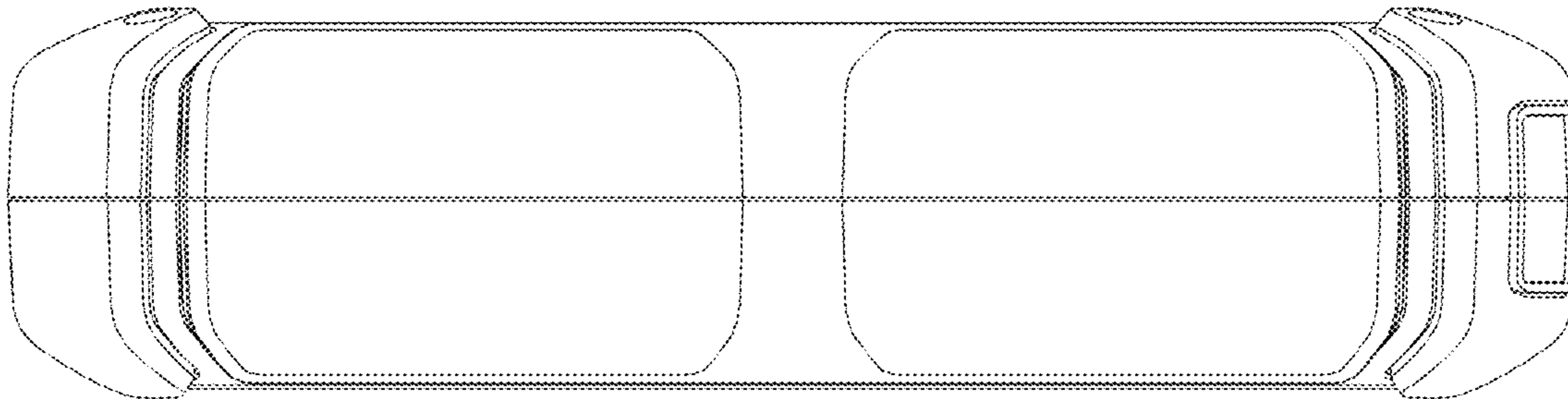


FIG. 5

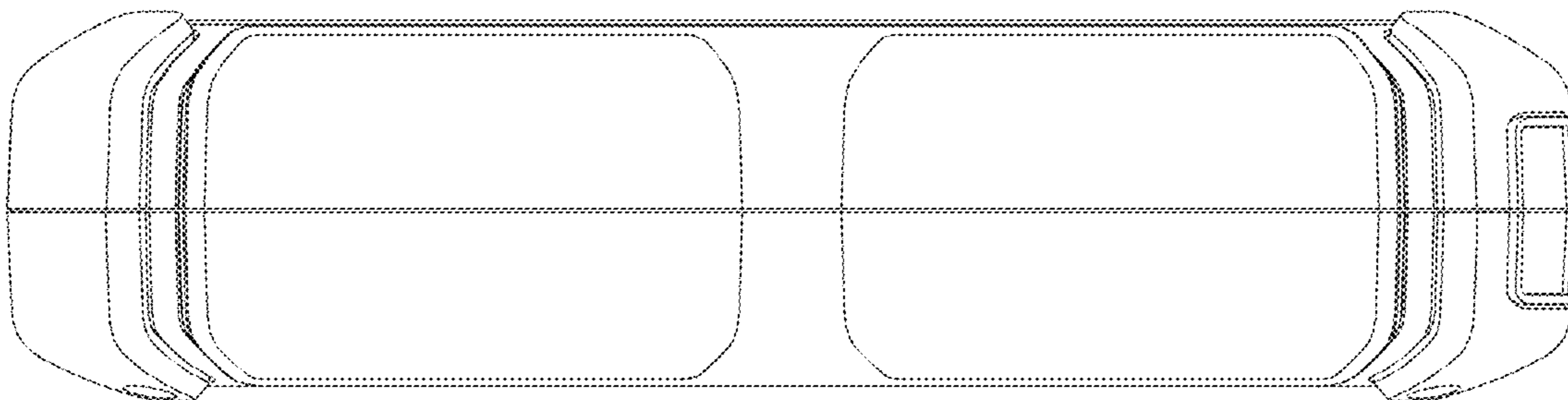


FIG. 6

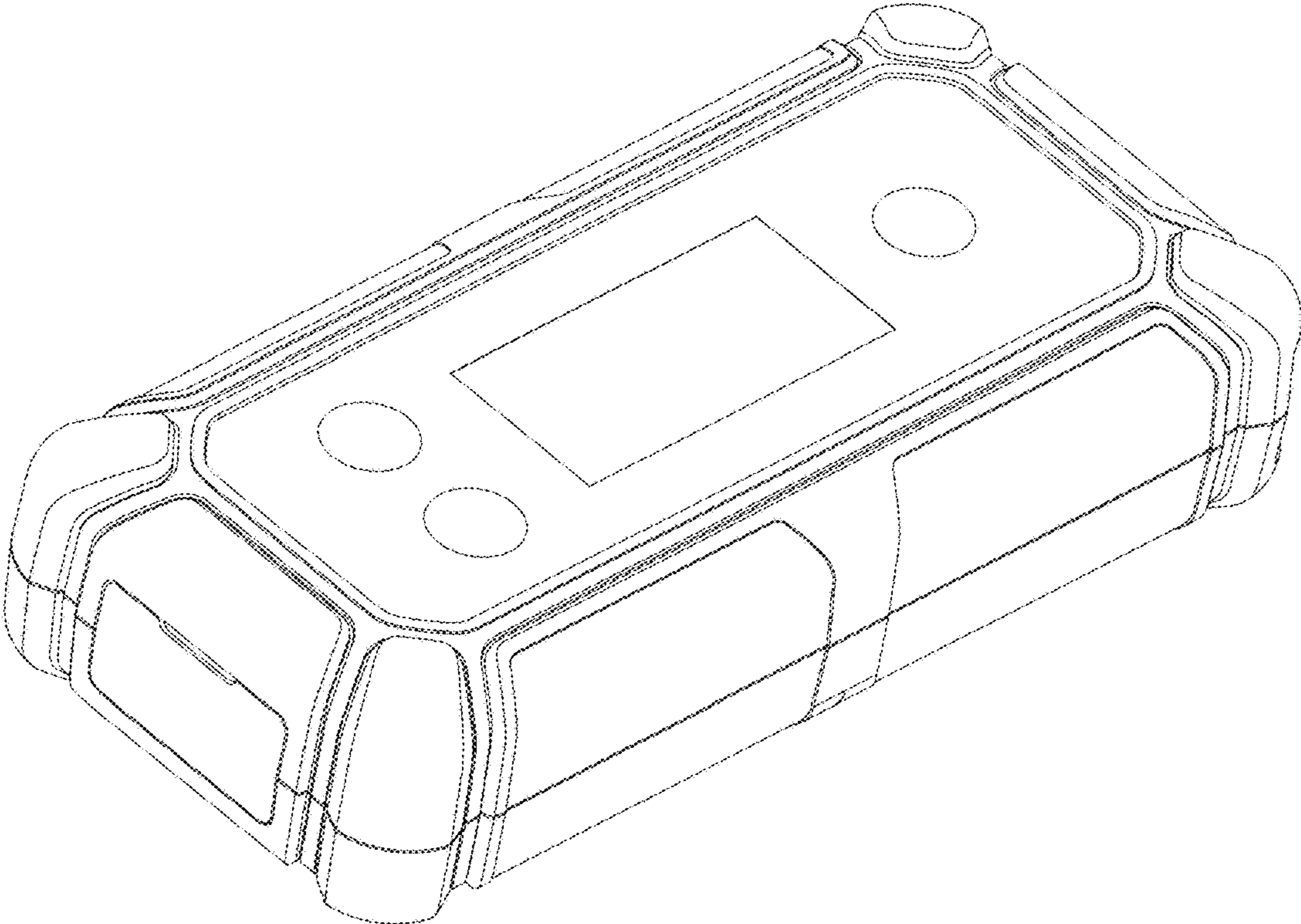


FIG. 7

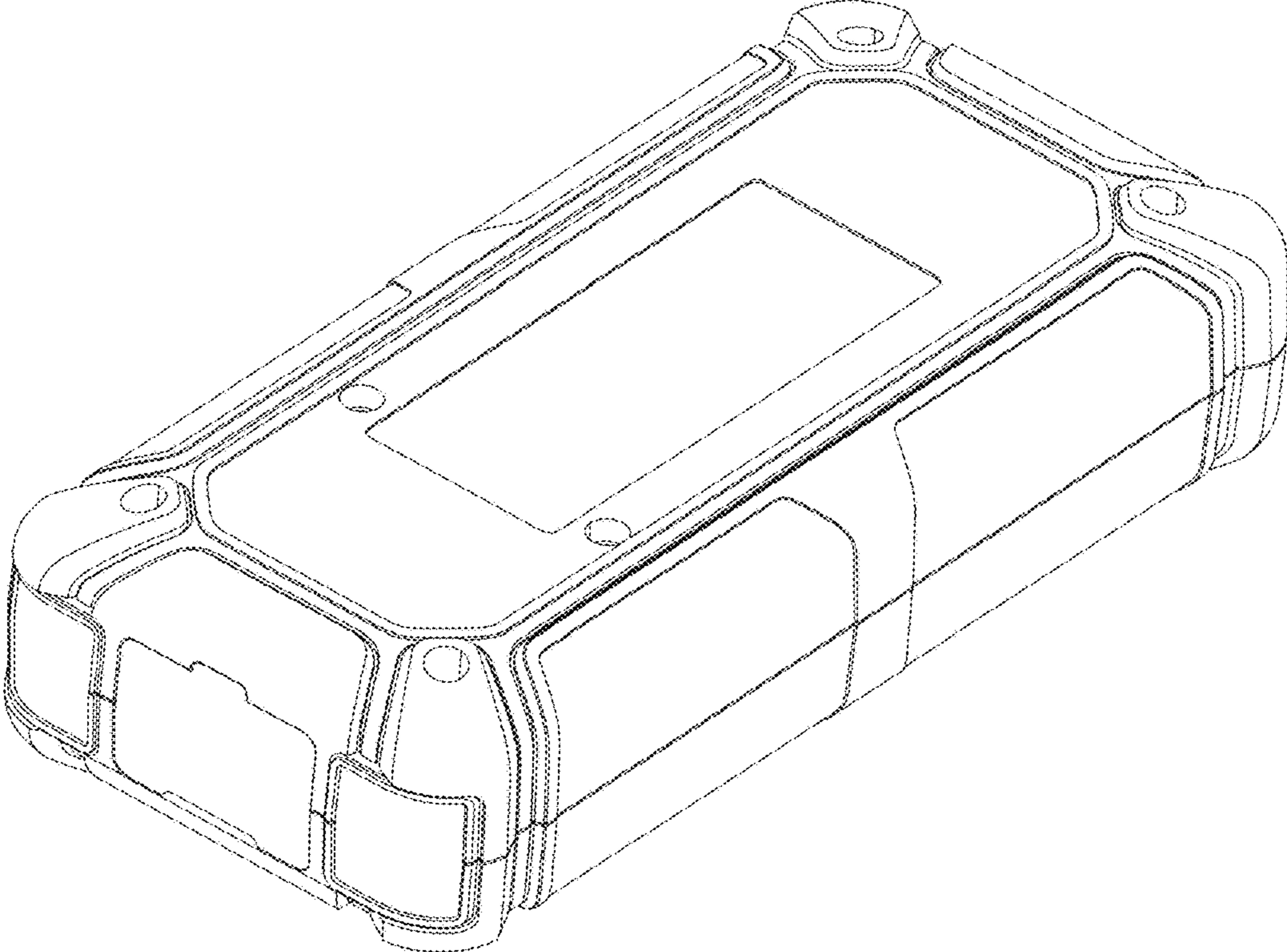


FIG. 8