



US00D944184S

(12) **United States Design Patent** (10) **Patent No.:** **US D944,184 S**
Yeh (45) **Date of Patent:** **** Feb. 22, 2022**

(54) **VEHICLE TOOLBOX**
(71) Applicant: **Tzu-Ling Yeh**, Jiangsu (CN)
(72) Inventor: **Tzu-Ling Yeh**, Jiangsu (CN)
(**) Term: **15 Years**
(21) Appl. No.: **29/773,789**
(22) Filed: **Mar. 11, 2021**
(51) **LOC (13) Cl.** **12-16**
(52) **U.S. Cl.**
USPC **D12/414.1**
(58) **Field of Classification Search**
USPC D12/414.1, 412-414, 221, 406, 157, 423,
D12/414.4; D6/552, 317-319, 513-514;
D32/35, 58; D3/304-306
CPC B60R 7/02; B60R 9/04; B60R 9/055
See application file for complete search history.

D864,089 S * 10/2019 Dorminey D12/414.1
D872,007 S * 1/2020 Muilenburg D12/423
D927,364 S * 8/2021 Zappa D12/114

FOREIGN PATENT DOCUMENTS

CN 303706065 S 6/2016
CN 304181936 S 6/2017
CN 305122208 S 4/2019

* cited by examiner

Primary Examiner — Katrina A Betton

(74) *Attorney, Agent, or Firm* — Wayne IP LLC

(57) **CLAIM**

The ornamental design for a vehicle toolbox, as shown and described.

DESCRIPTION

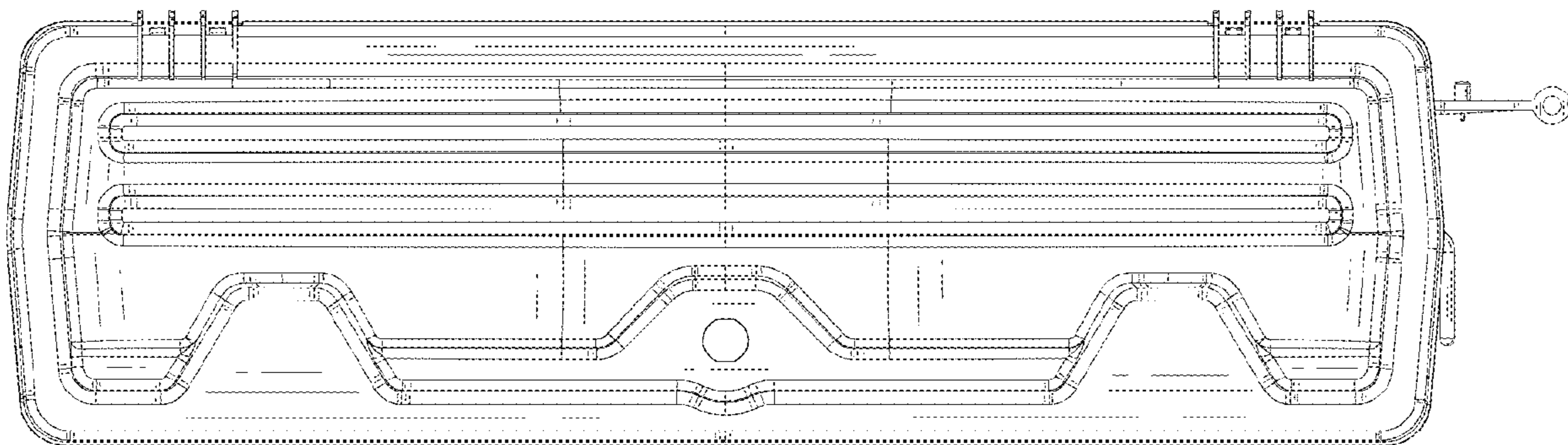
FIG. 1 is a perspective view of a vehicle toolbox showing our new design;
FIG. 2 is a front view thereof;
FIG. 3 is a back view thereof;
FIG. 4 is an enlarged left view thereof;
FIG. 5 is an enlarged right view thereof;
FIG. 6 is a top view thereof;
FIG. 7 is a bottom view thereof; and,
FIG. 8 is a partially enlarged view of FIG. 3.
The broken lines shown on the drawings depict portions of the vehicle toolbox that form no part of the claimed design.

(56) **References Cited**

U.S. PATENT DOCUMENTS

D717,721 S * 11/2014 Guaresimo D12/414
D720,281 S * 12/2014 Grant D12/414.1
D722,008 S * 2/2015 Tuel D12/414.1
D755,707 S * 5/2016 Roach D12/414.1
D766,810 S * 9/2016 Haun D12/414.1
D771,544 S * 11/2016 Christofferson D12/414.1
D811,987 S * 3/2018 Mueller D12/414.1
D816,587 S * 5/2018 Perkins D12/414.1
D843,923 S * 3/2019 Floyd D12/414.1

1 Claim, 8 Drawing Sheets



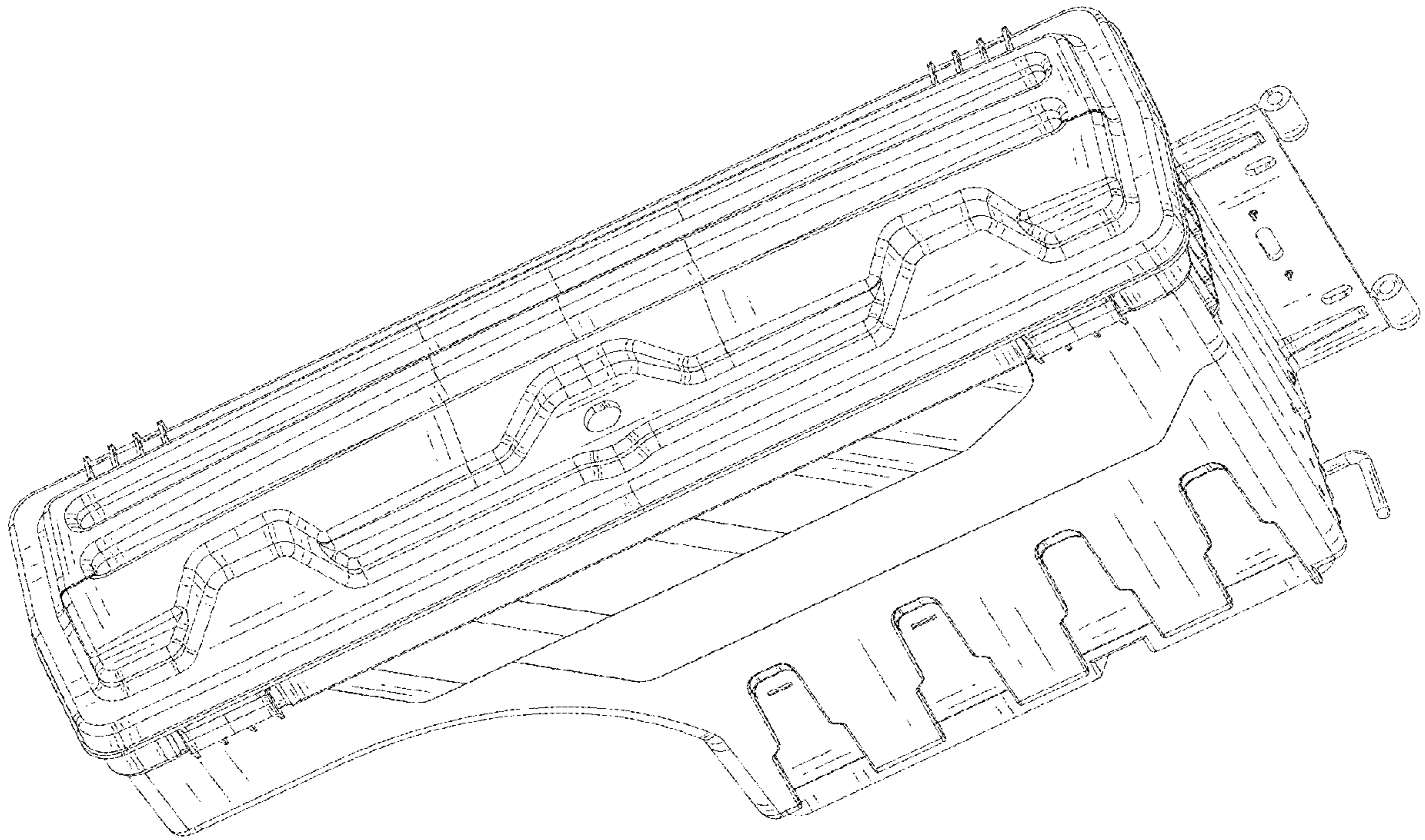


FIG. 1

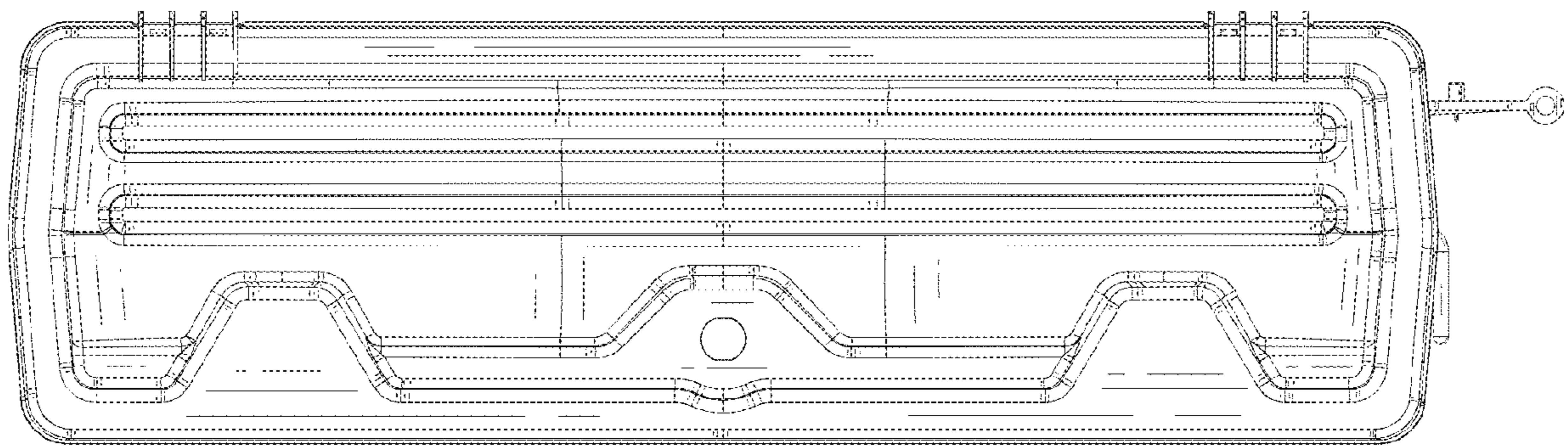


FIG. 2

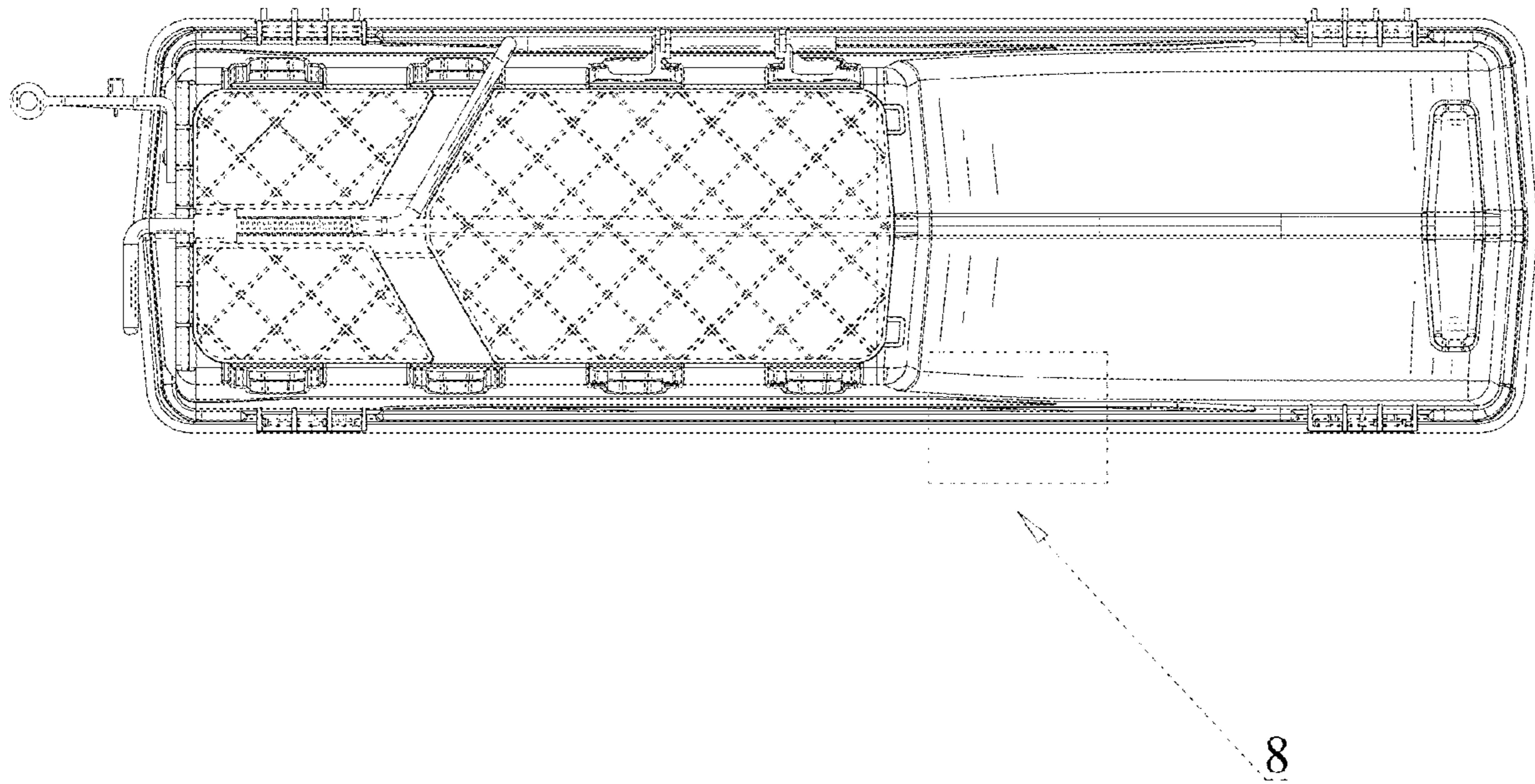


FIG. 3

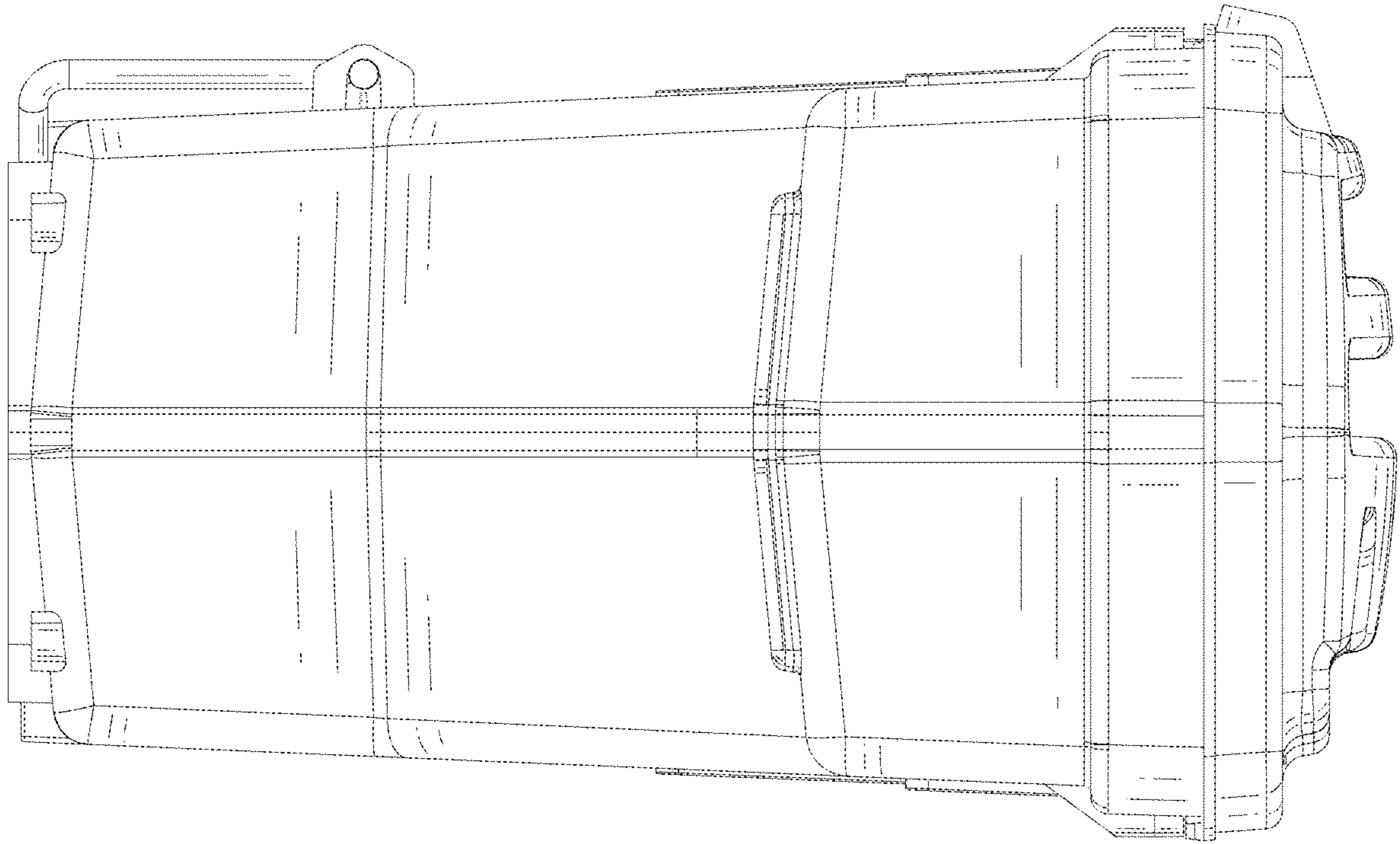


FIG. 4

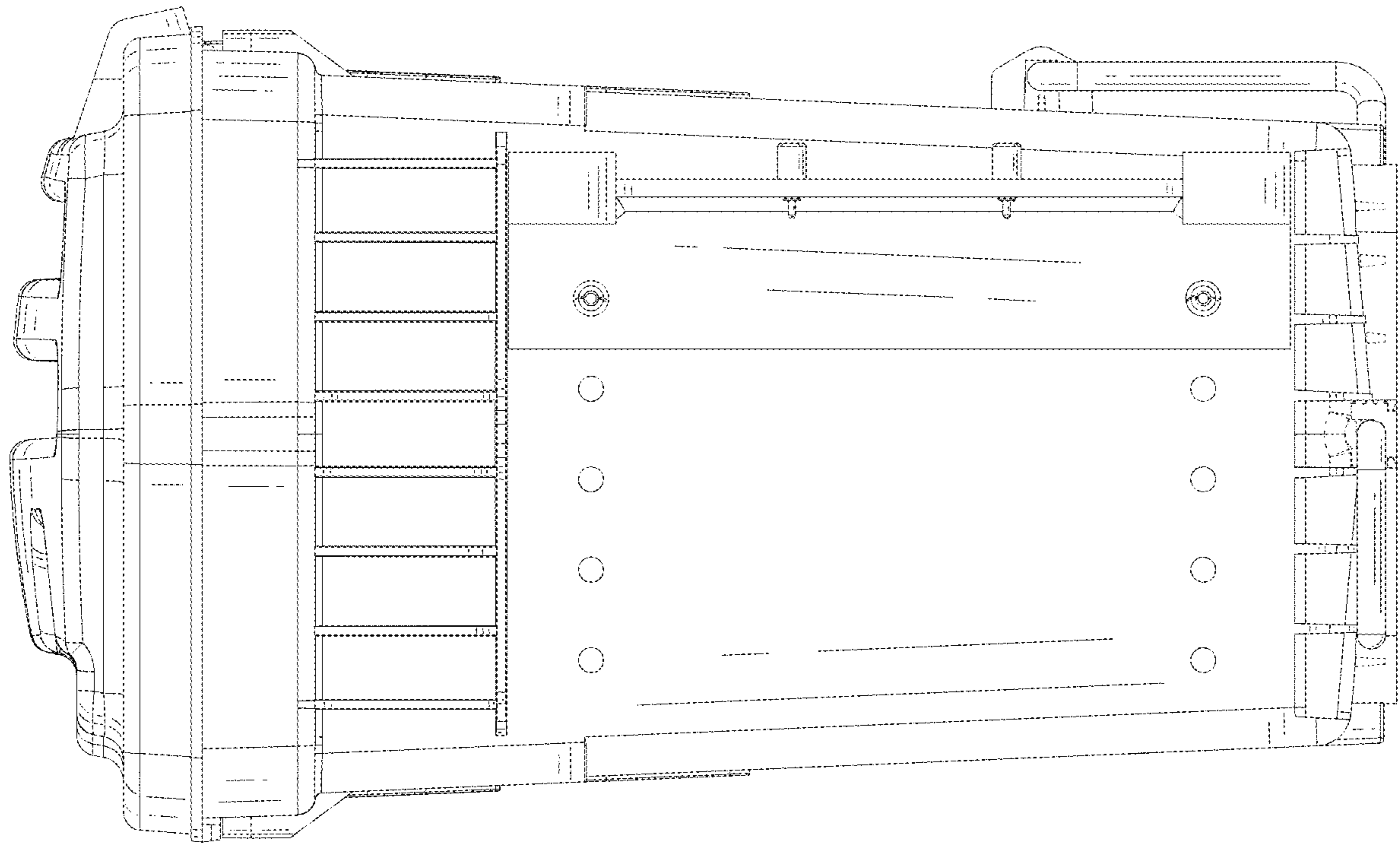


FIG. 5

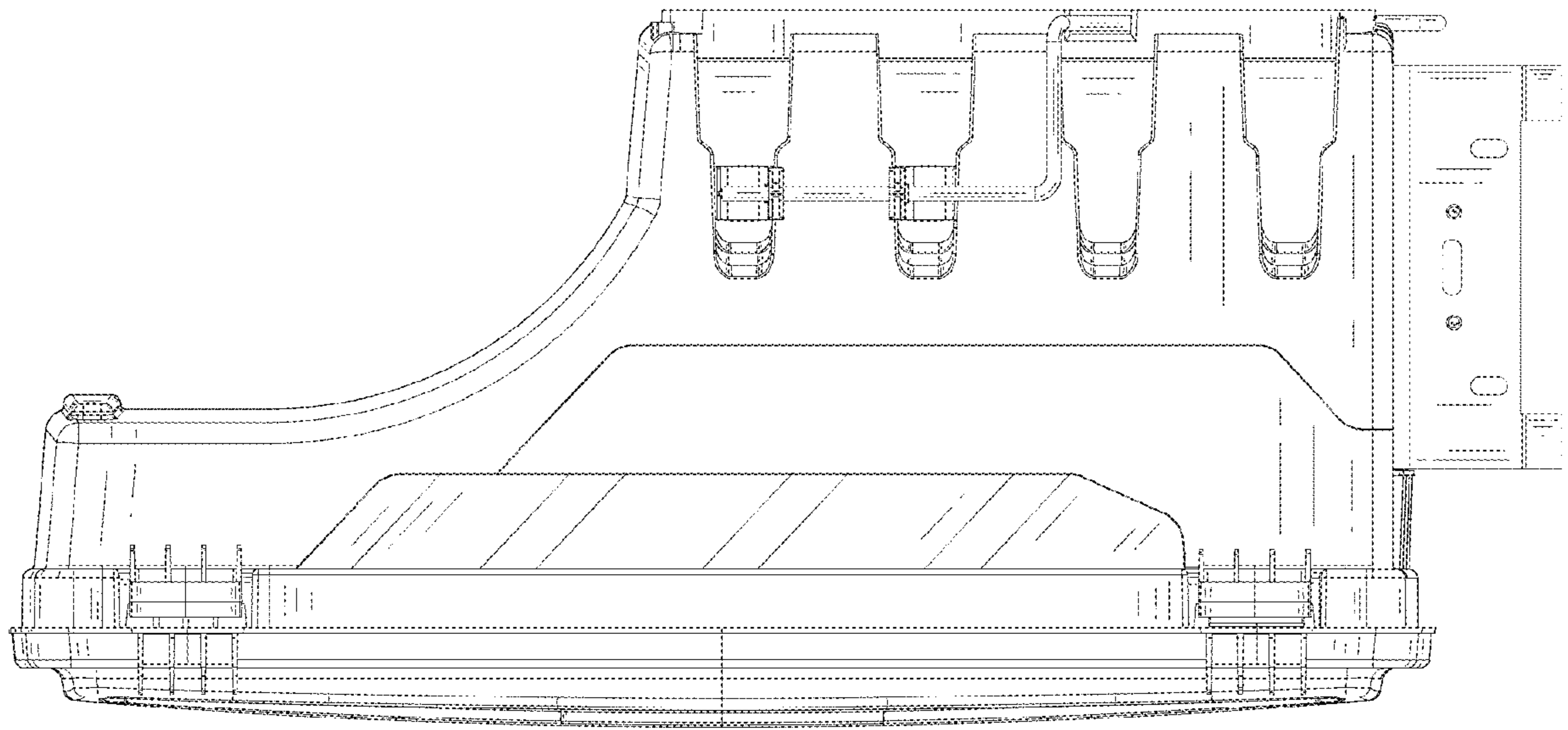


FIG. 6

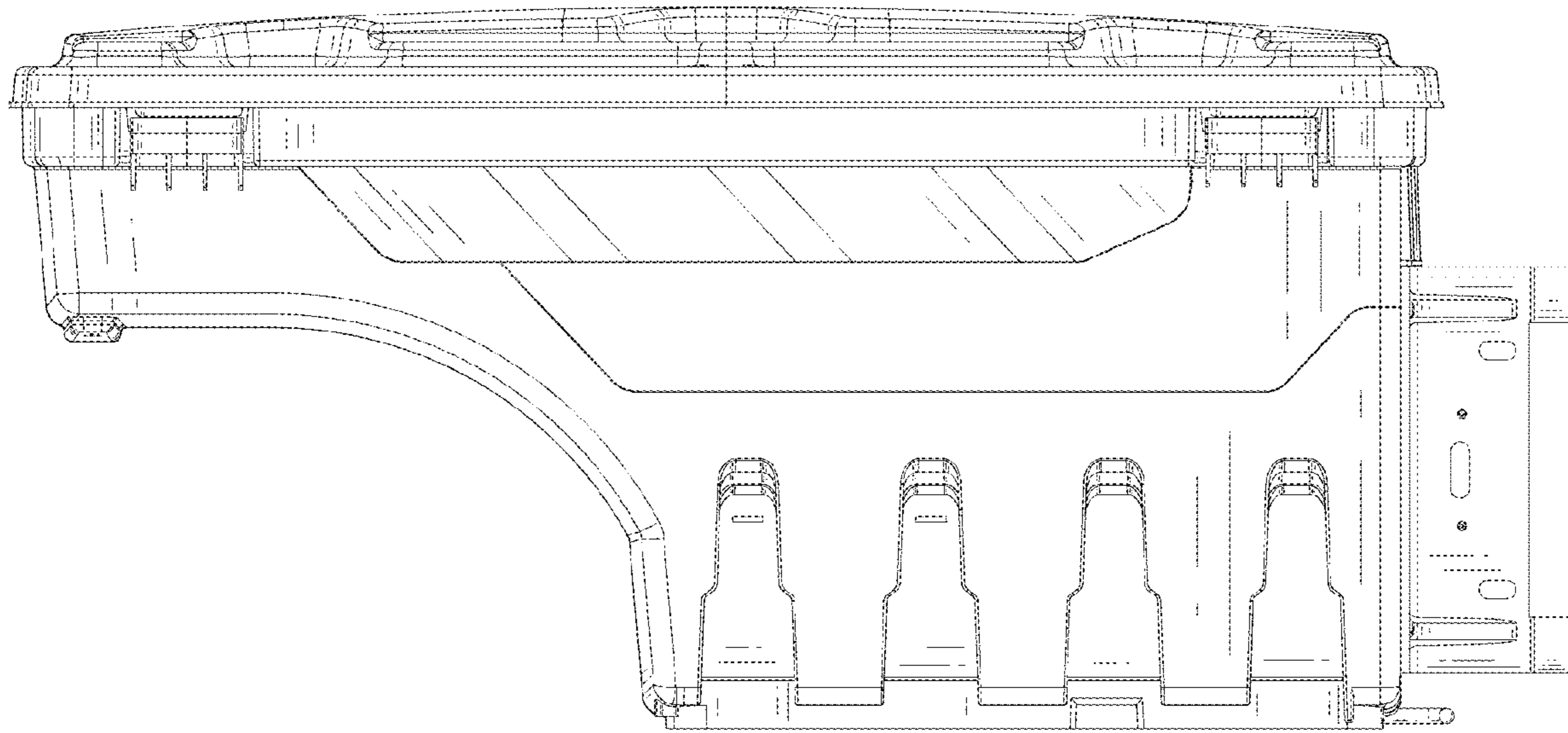


FIG. 7



FIG. 8