



US00D944183S

(12) **United States Design Patent**
Turner et al.

(10) **Patent No.:** **US D944,183 S**

(45) **Date of Patent:** **** Feb. 22, 2022**

(54) **CARGO CONTAINER**

D868,673 S * 12/2019 Eriksson D12/413
D898,655 S * 10/2020 Yang D12/413

(71) Applicant: **Yakima Products, Inc.**, Lake Oswego,
OR (US)

* cited by examiner

(72) Inventors: **Kirk William Turner**, Tigard, OR
(US); **Jason Attfield Sagen**, Portland,
OR (US)

Primary Examiner — Abraham Bahta

(74) *Attorney, Agent, or Firm* — Kolisch Hartwell, P.C.

(73) Assignee: **Yakima Products, Inc.**, Lake Oswego,
OR (US)

(57) **CLAIM**

The ornamental design for a cargo container, as shown and
described.

(**) Term: **15 Years**

DESCRIPTION

(21) Appl. No.: **29/722,200**

FIG. 1 is a front perspective view of a cargo container
showing the new design;

(22) Filed: **Jan. 27, 2020**

FIG. 2 is a front elevation view thereof;

(51) **LOC (13) Cl.** **12-16**

FIG. 3 is a rear elevation view thereof;

(52) **U.S. Cl.**

FIG. 4 is a right side elevation view thereof;

USPC **D12/413**

FIG. 5 is a left side elevation view thereof;

(58) **Field of Classification Search**

USPC D12/413, 406–412, 414, 414.1; D32/35,
D32/58; D6/317–319, 513–514

FIG. 6 is a top plan view thereof;

CPC .. B60R 9/00; B60R 9/04; B60R 9/055; B60R
9/052; B60R 9/058; B62J 9/003; B62J
7/06; B62J 9/001

FIG. 7 is a bottom plan view thereof;

See application file for complete search history.

FIG. 8 is a rear perspective view thereof;

(56) **References Cited**

U.S. PATENT DOCUMENTS

D774,442 S * 12/2016 Adler D12/413
D786,771 S * 5/2017 Eriksson D12/413
D806,639 S * 1/2018 Eriksson D12/413
D822,580 S * 7/2018 Eriksson D12/413

FIG. 9 is a front perspective view of a cargo container
showing the new design;

FIG. 10 is a front elevation view thereof;

FIG. 11 is a rear elevation view thereof;

FIG. 12 is a right side elevation view thereof;

FIG. 13 is a left side elevation view thereof;

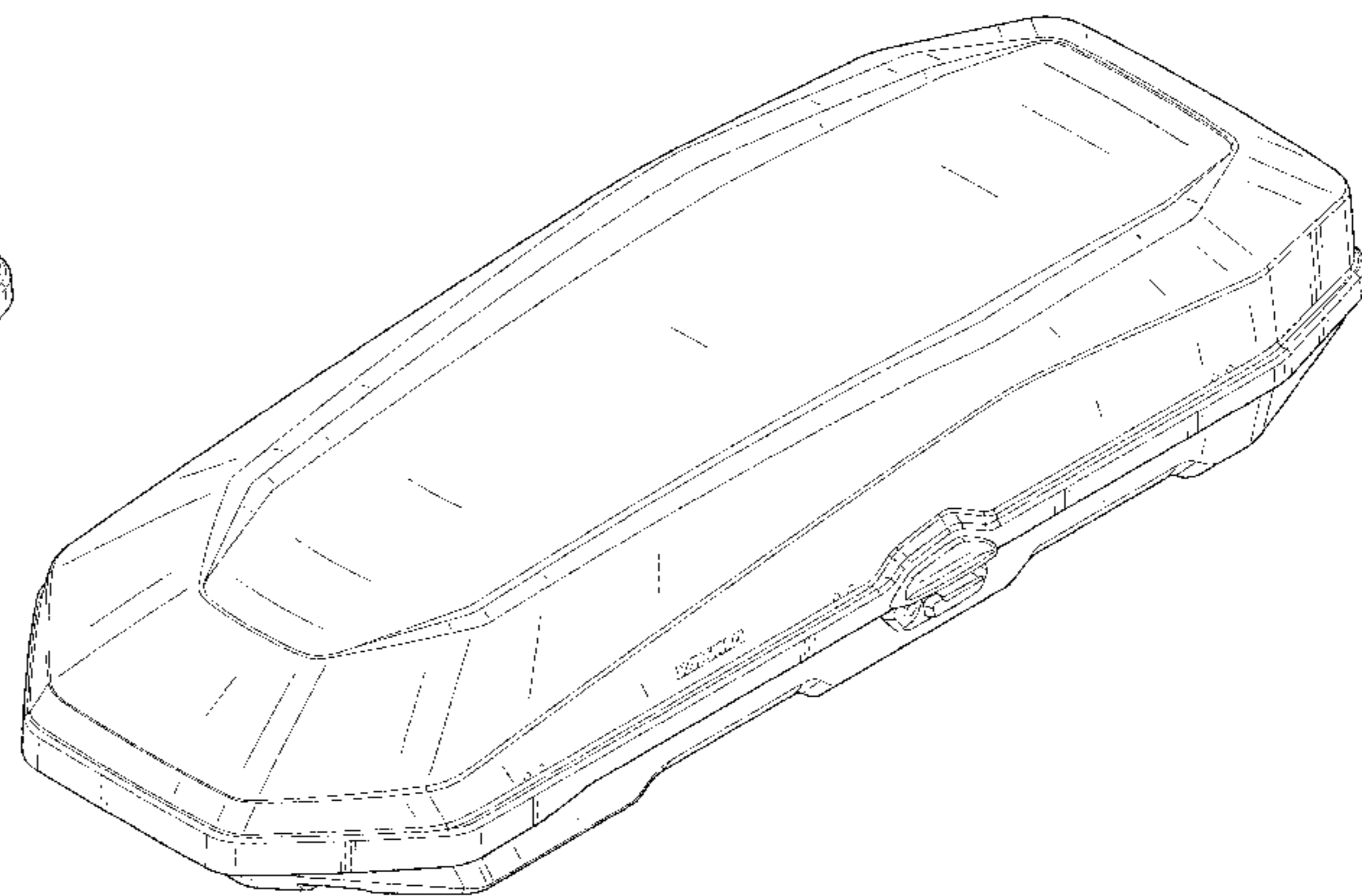
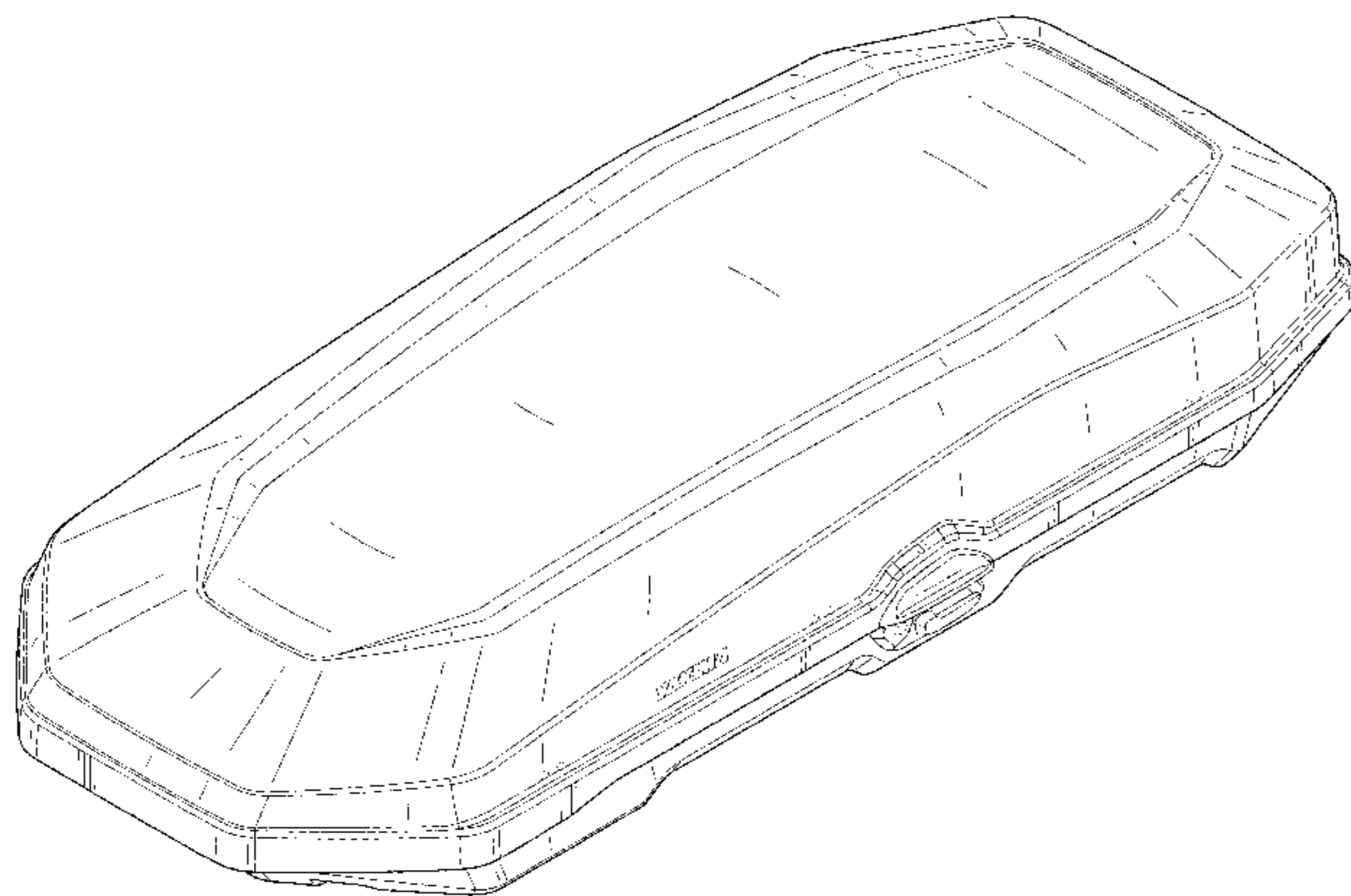
FIG. 14 is a top plan view thereof;

FIG. 15 is a bottom plan view thereof; and,

FIG. 16 is a rear perspective view thereof.

Portions of the cargo container illustrated with dashed lines
and the structures they depict form no part of the claimed
design.

1 Claim, 12 Drawing Sheets



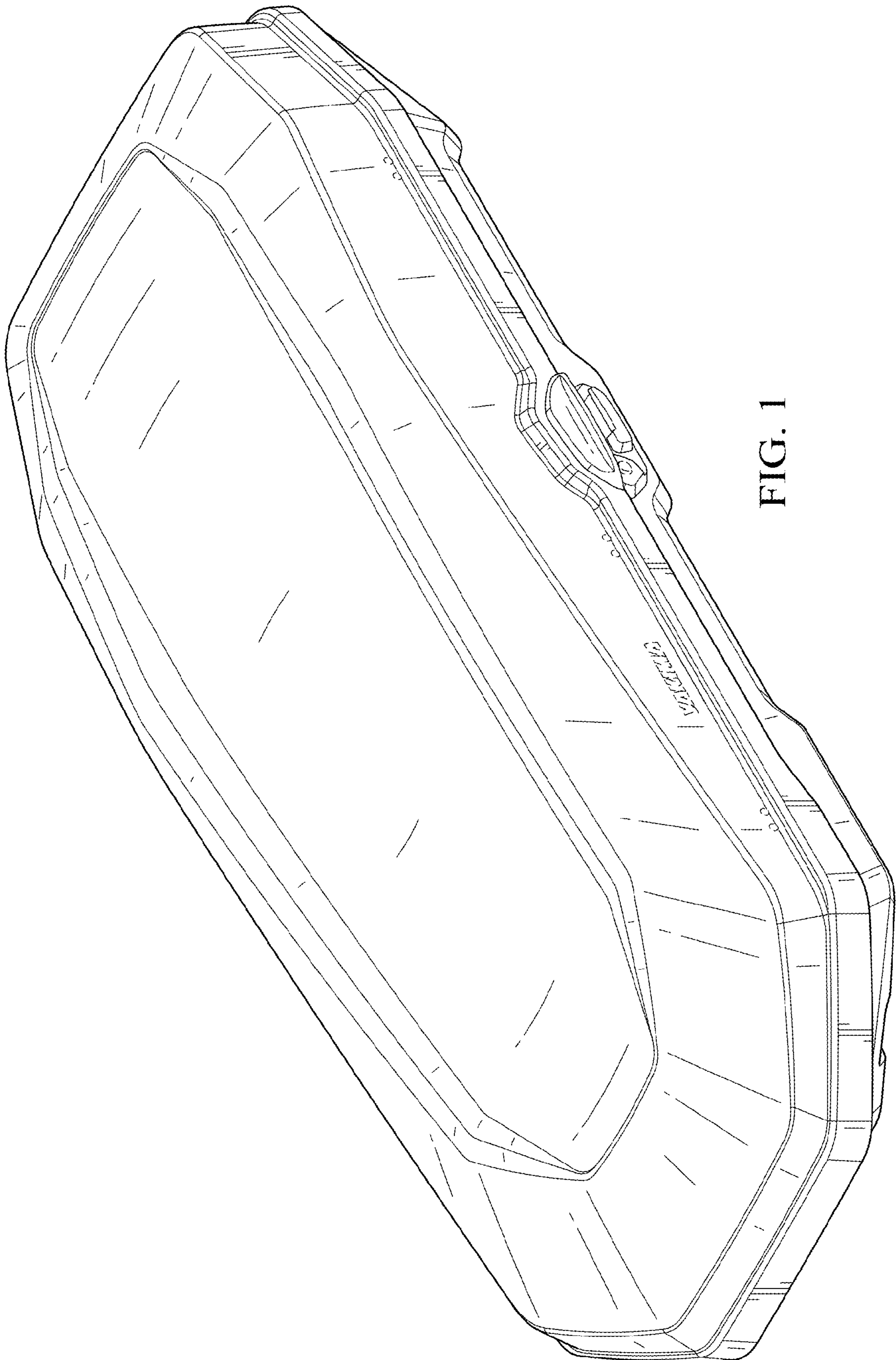


FIG. 1

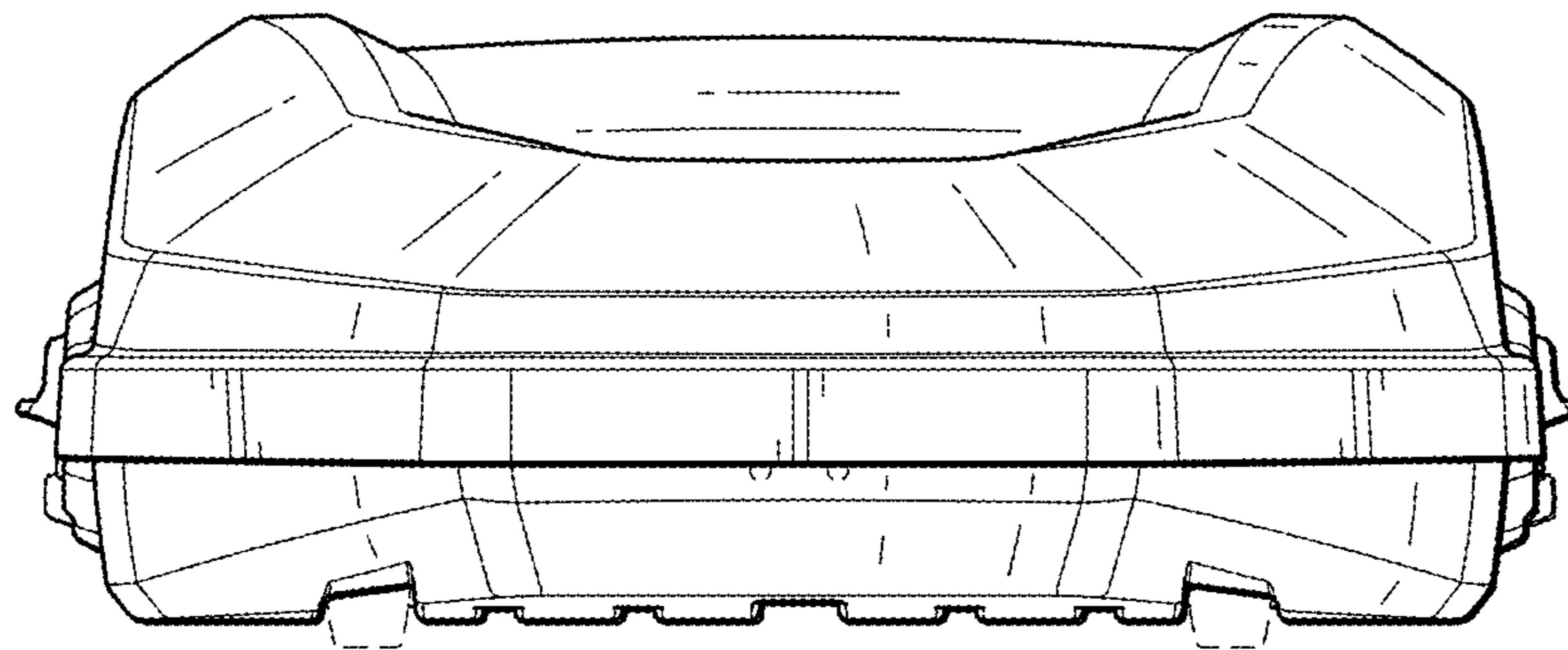


FIG. 2

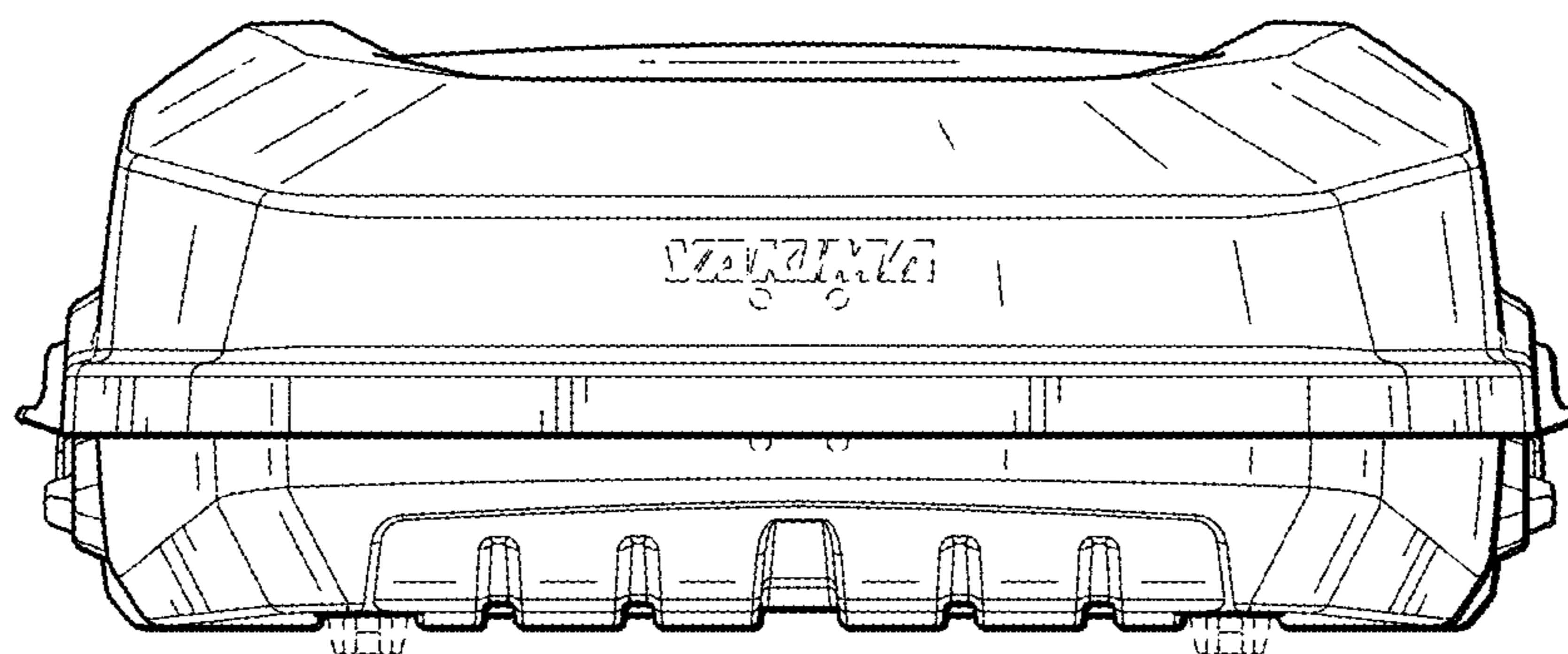


FIG. 3

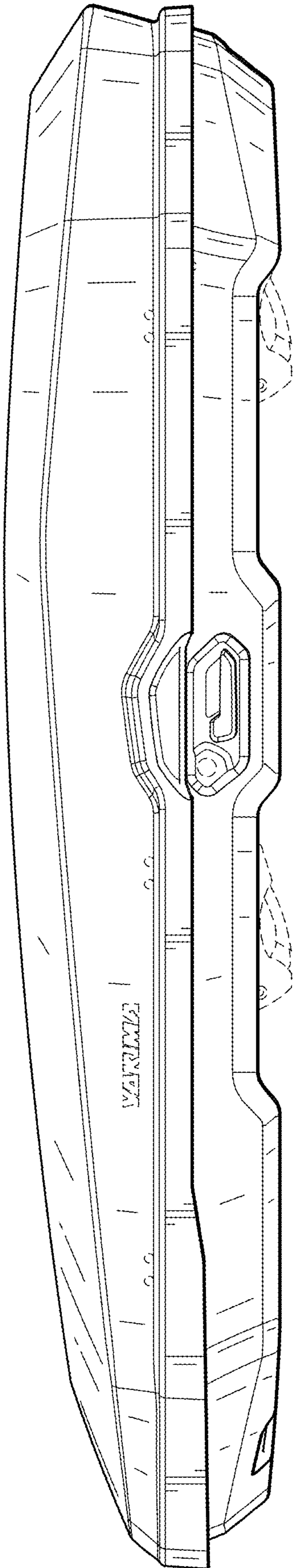


FIG. 4

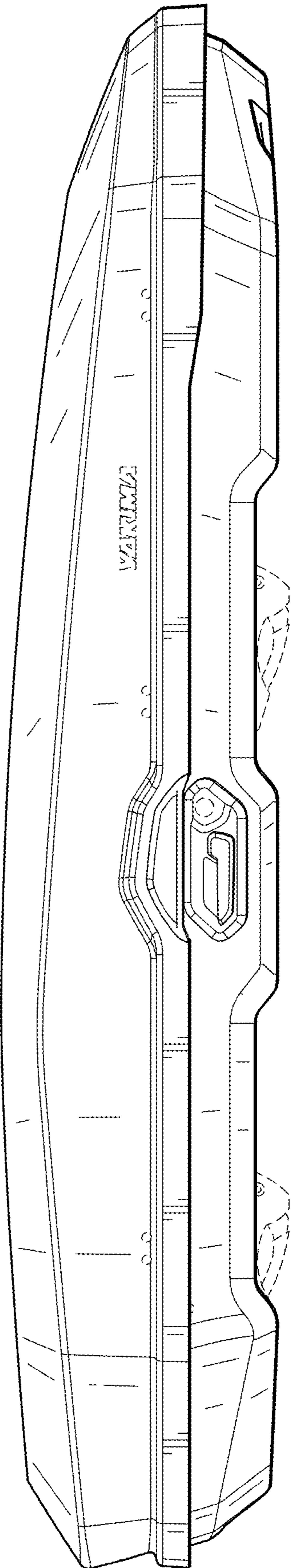


FIG. 5

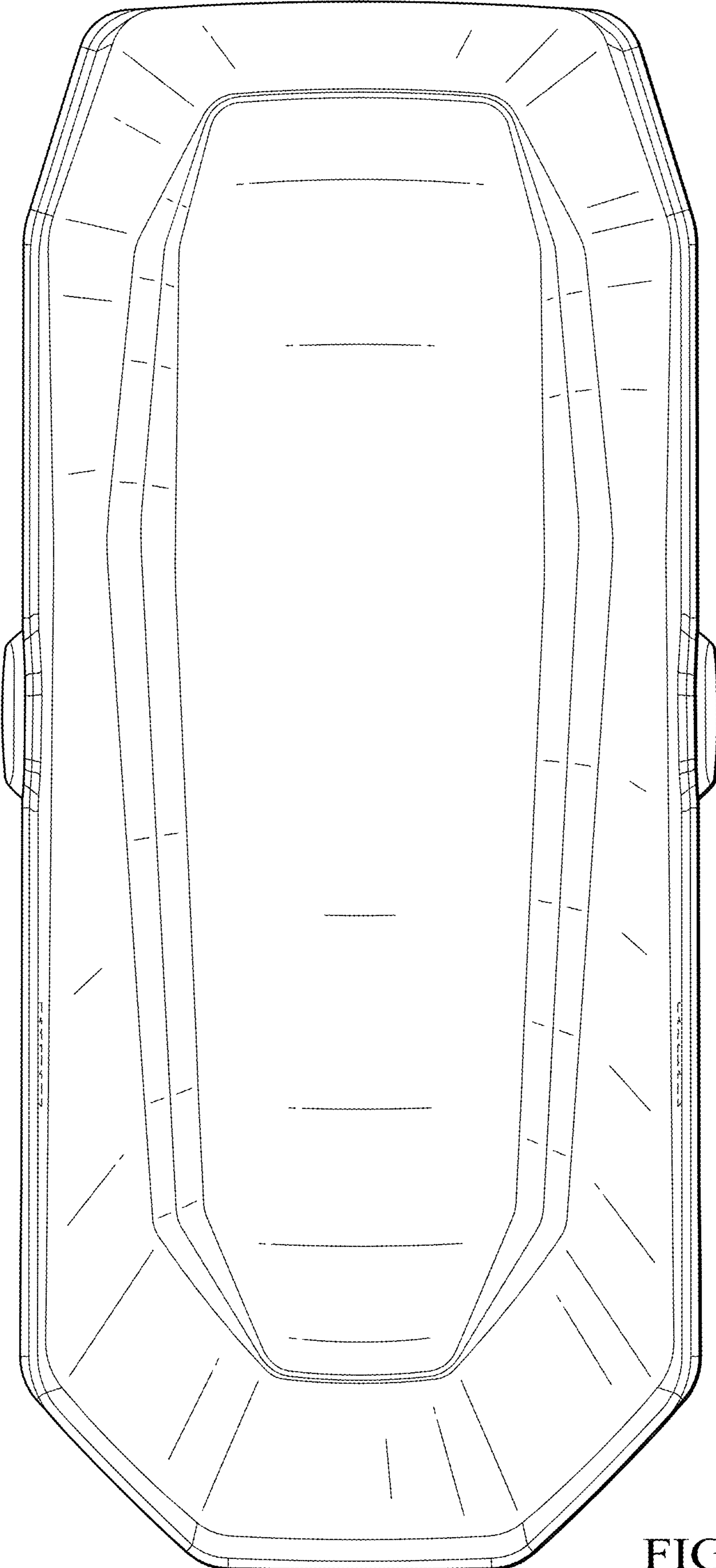


FIG. 6

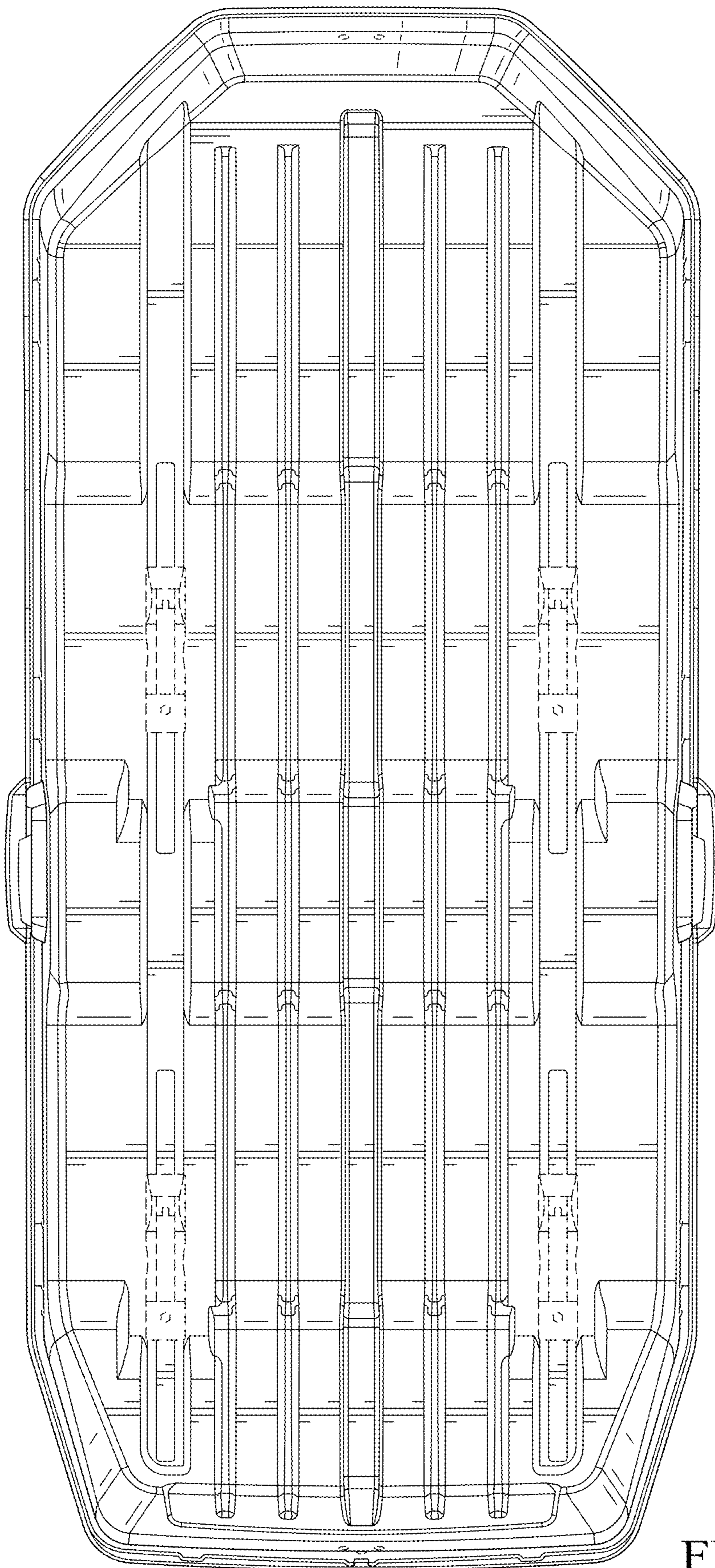


FIG. 7

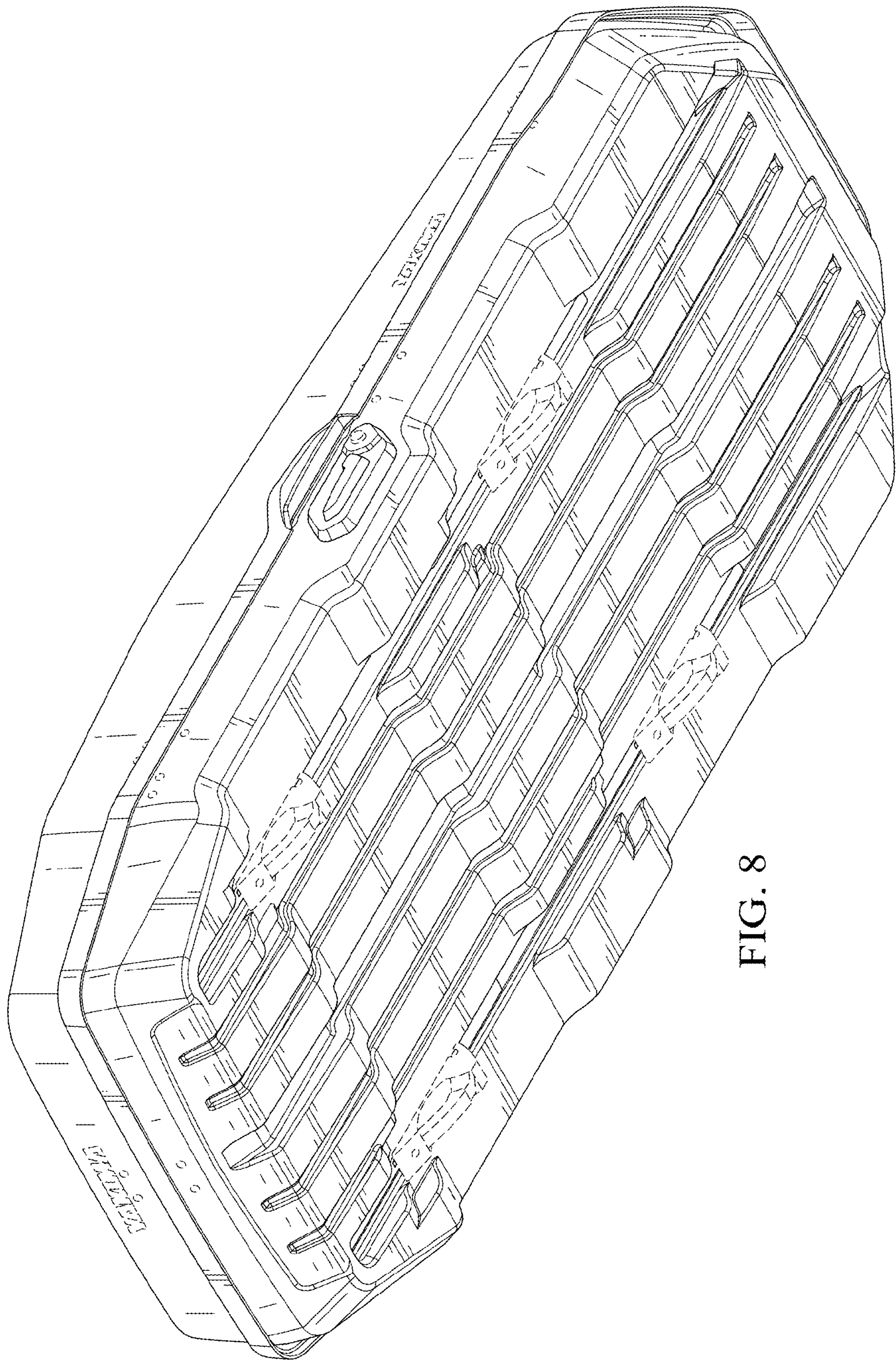


FIG. 8

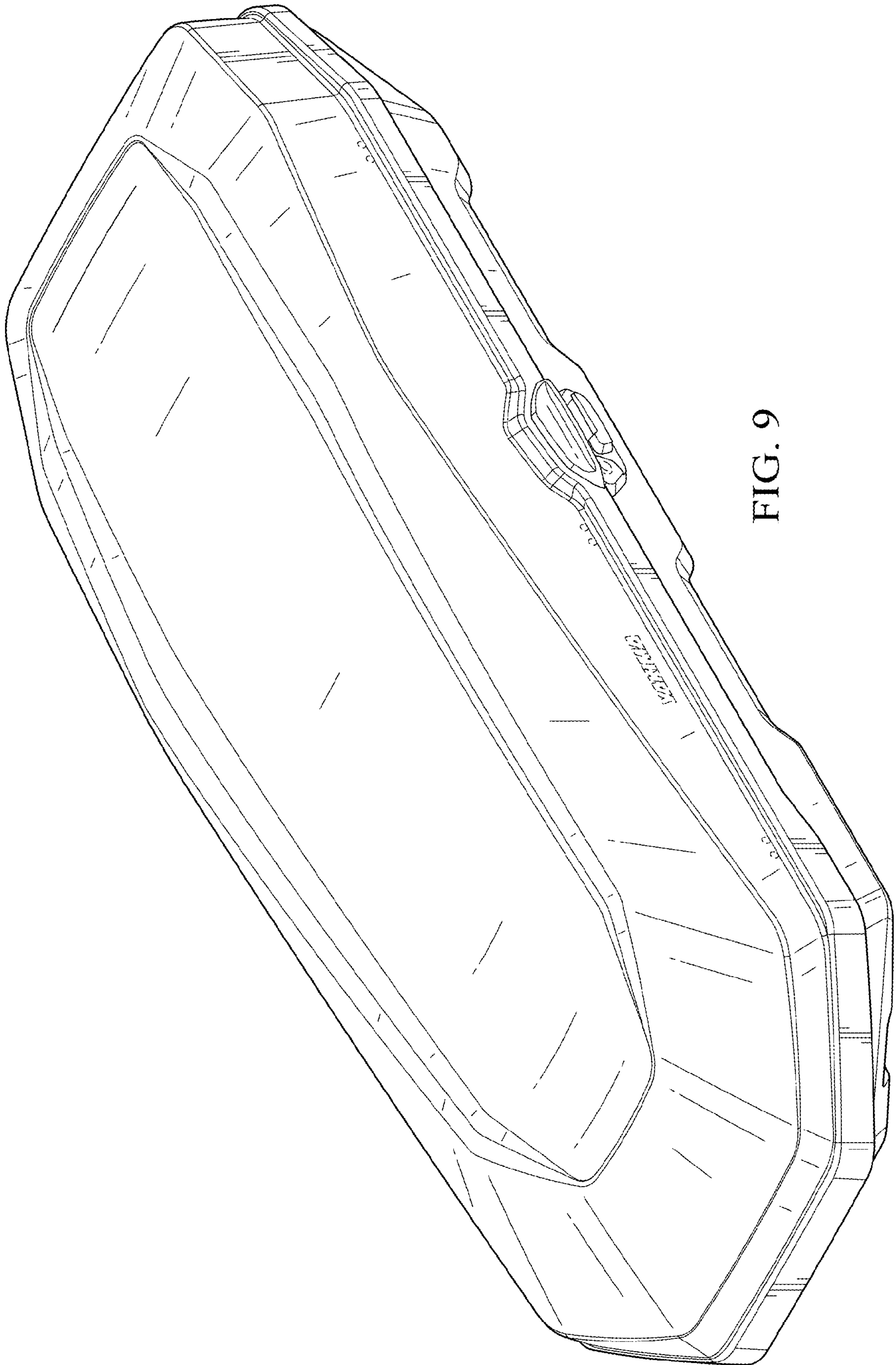


FIG. 9

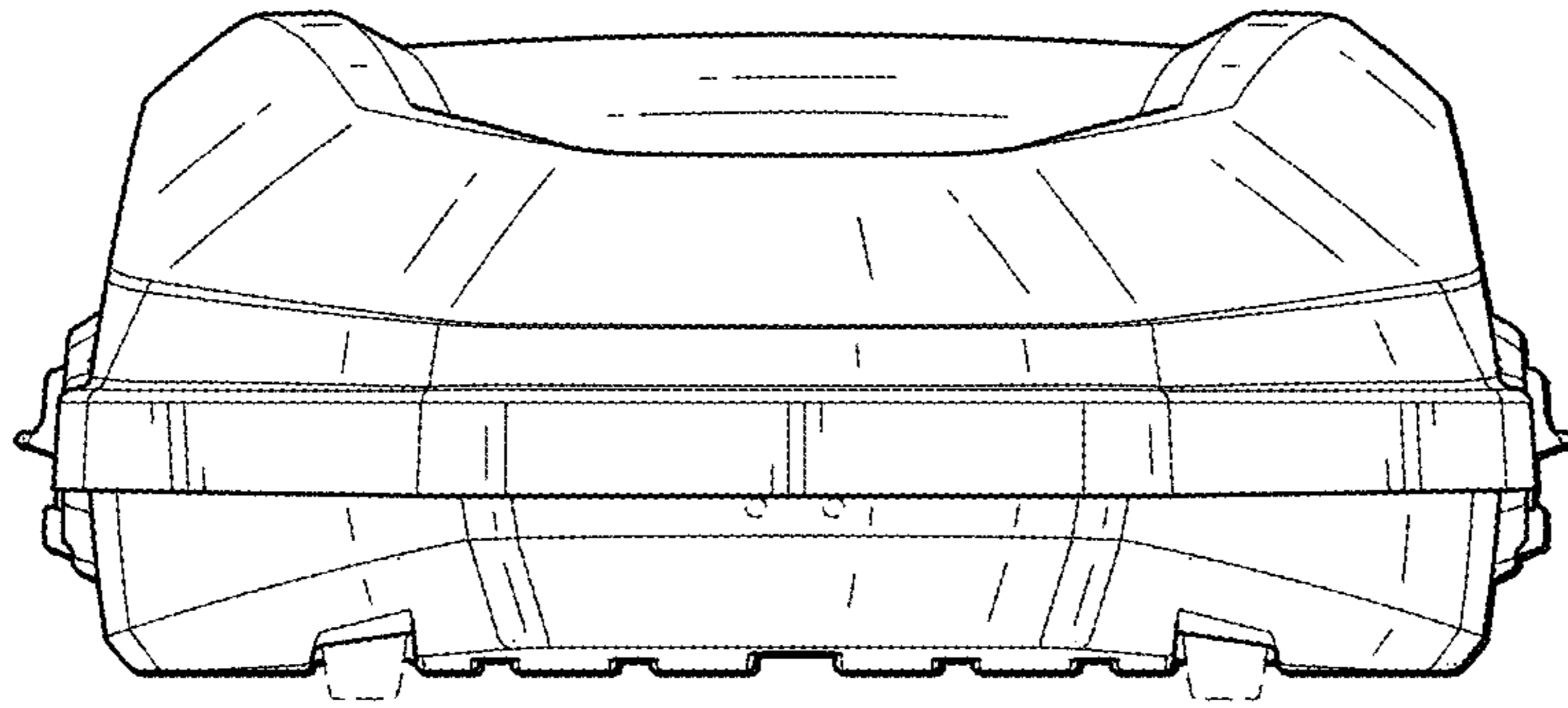


FIG. 10

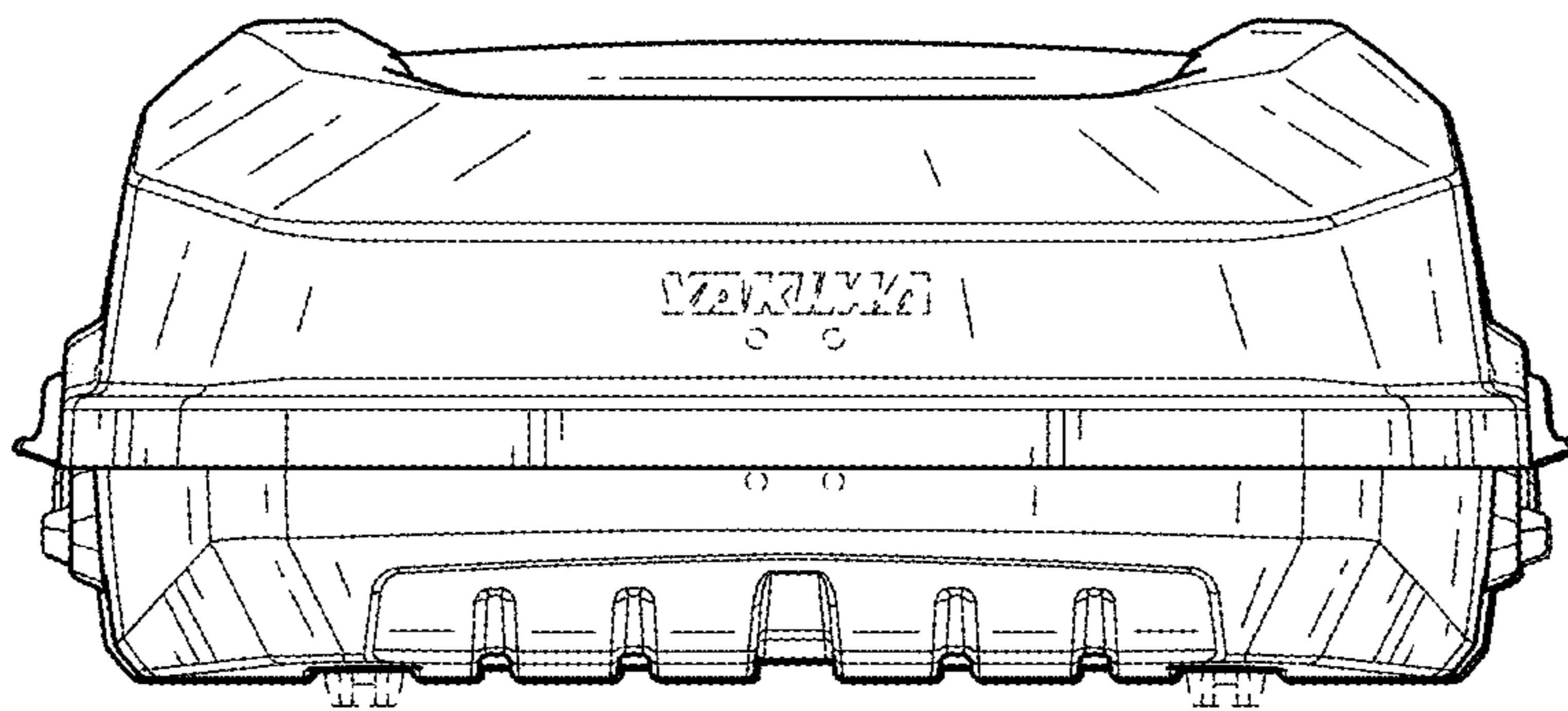


FIG. 11

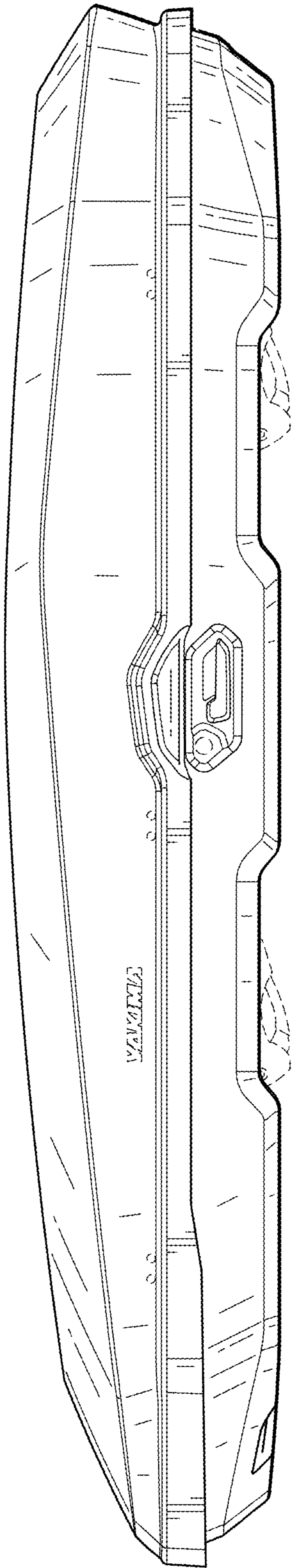


FIG. 12

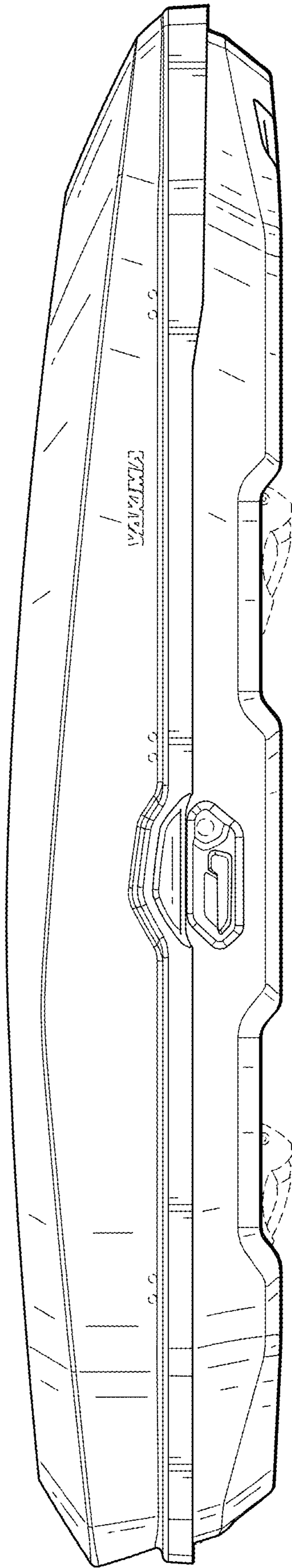


FIG. 13

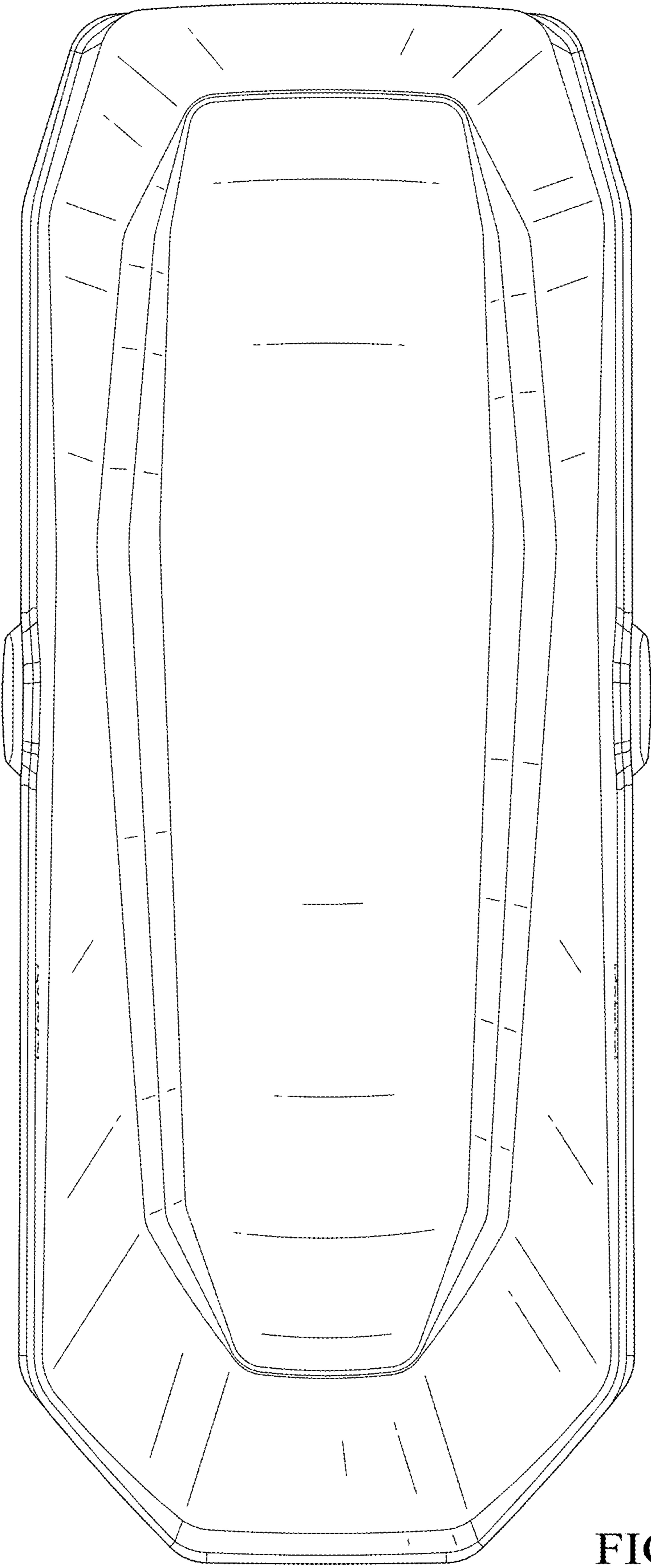


FIG. 14

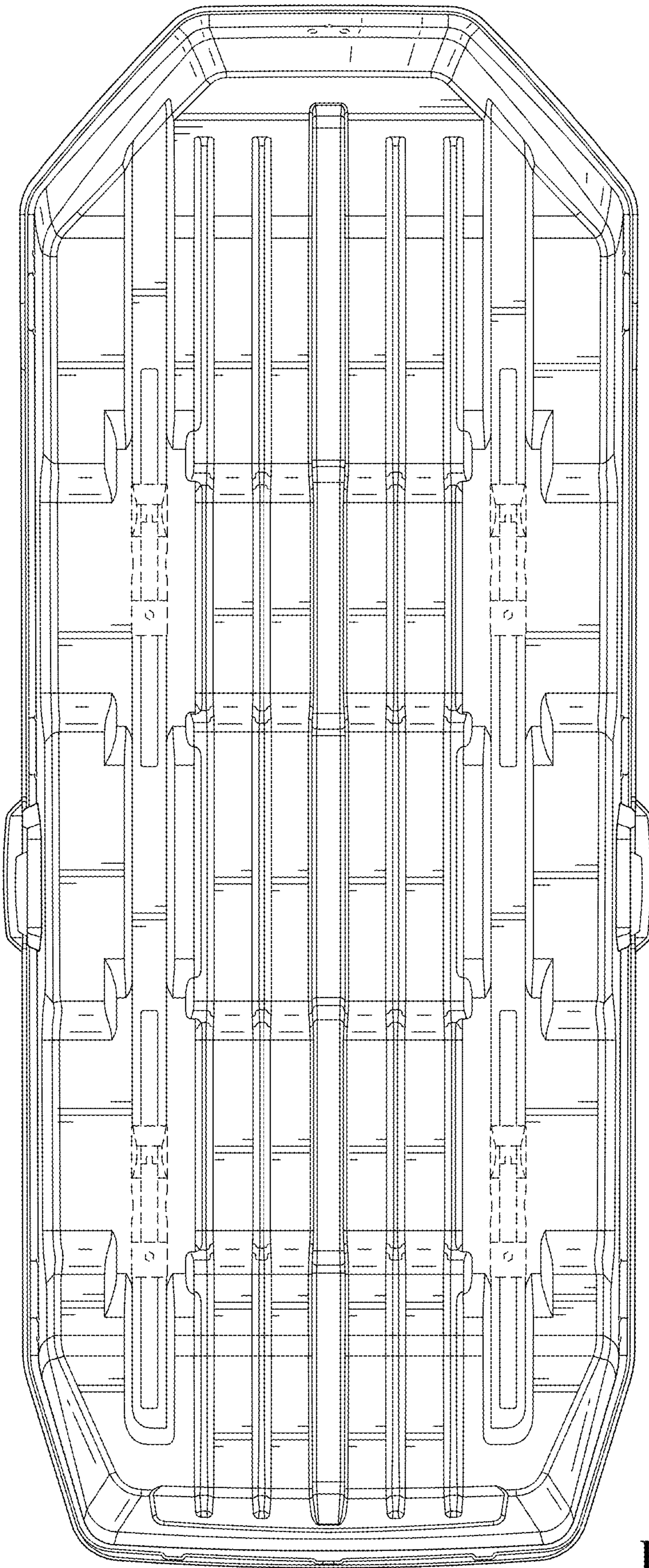


FIG. 15

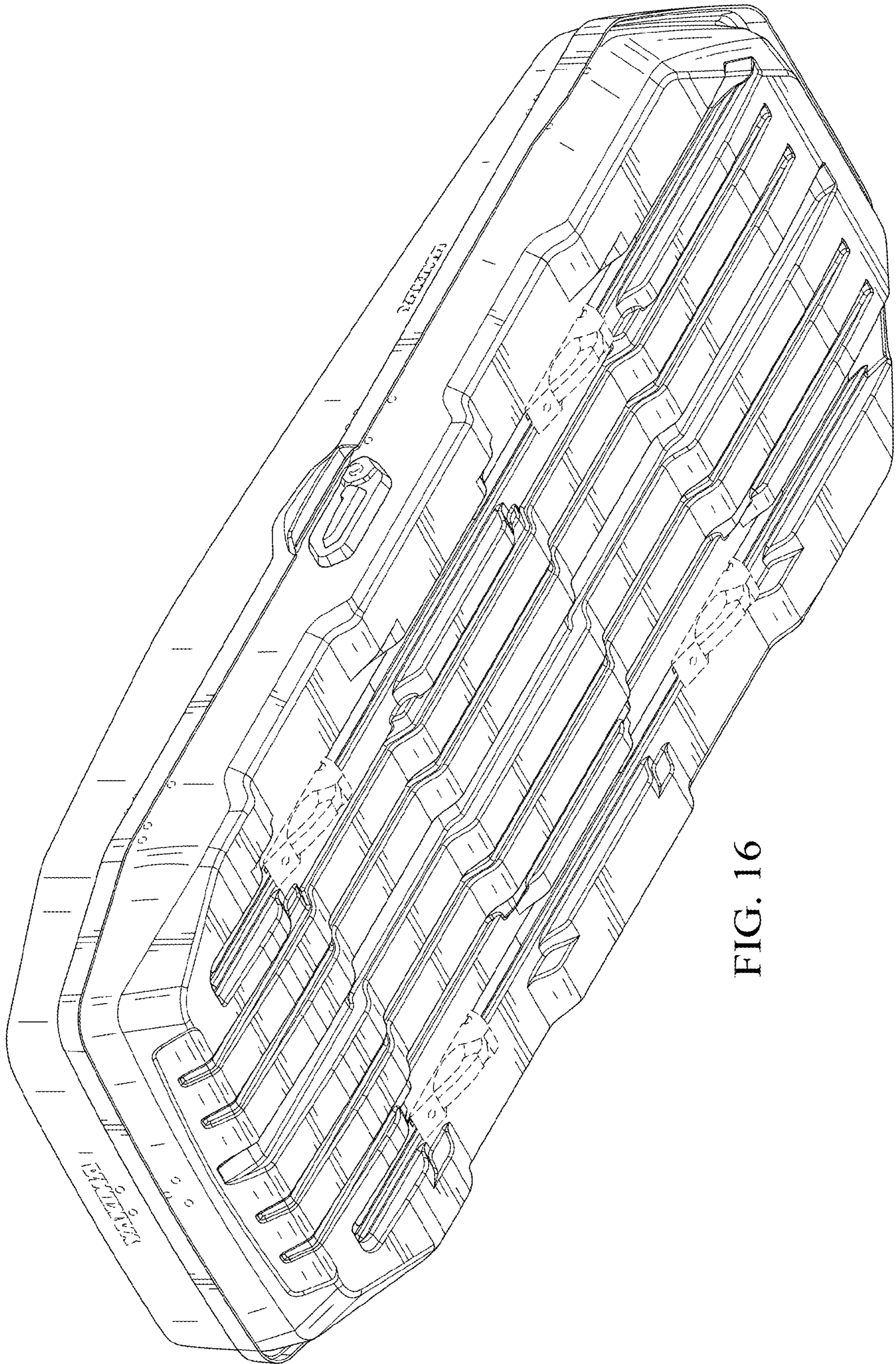


FIG. 16