



US00D944181S

(12) **United States Design Patent**
Connellan

(10) **Patent No.:** **US D944,181 S**
(45) **Date of Patent:** **** Feb. 22, 2022**

(54) **SIDE EXTRUSION FOR ROOF RACK**

(71) Applicant: **Rhino Rack Australia Pty Limited,**
Eastern Creek (AU)

(72) Inventor: **Adam Connellan,** Sydney (AU)

(73) Assignee: **Rhino Rack Australia Pty Limited,**
Eastern Creek (AU)

(**) Term: **15 Years**

(21) Appl. No.: **29/730,176**

(22) Filed: **Apr. 2, 2020**

(30) **Foreign Application Priority Data**

Oct. 2, 2019 (AU) 201915713

(51) **LOC (13) Cl.** **12-16**

(52) **U.S. Cl.**
USPC **D12/412**

(58) **Field of Classification Search**
USPC D12/401, 402, 403, 404, 405, 406, 407,
D12/408, 409, 410, 411, 412, 413, 414,
D12/414.1; D32/35, 58; D6/513, 514,
D6/552; D3/304, 305, 306
CPC B60R 9/00; B60R 9/02; B60R 9/04; B60R
9/042; B60R 9/0423; B60R 9/0426; B60R
9/045; B60R 9/048; B60R 9/0485; B60R
9/05; B60R 9/052; B60R 9/055; B60R
9/058; B60R 9/06; B60R 9/065; B60R
9/08; B60R 9/10; B60R 9/12; B60R
11/00; B60R 11/06; B60R 2011/004;
B60R 2011/0042; B60P 7/0815; B62D
33/0207

See application file for complete search history.

(56) **References Cited**

U.S. PATENT DOCUMENTS

D352,692 S * 11/1994 Christensen D12/412
D352,693 S * 11/1994 Christensen D12/412

D352,694 S * 11/1994 Christensen D12/412
D352,695 S * 11/1994 Christensen D12/412
D352,696 S * 11/1994 Christensen D12/412
D352,926 S * 11/1994 Christensen D12/412
D353,128 S * 12/1994 Christensen D12/412
D425,215 S * 5/2000 Ginzel D25/119
6,238,153 B1 * 5/2001 Karrer B60P 7/0815
296/36
7,568,754 B2 * 8/2009 Adams B60P 7/0815
296/184.1
D878,277 S * 3/2020 Connellan D12/412

OTHER PUBLICATIONS

Rhino Rack Platform Rack, Published date unavailable [online],
[retrieved on Jun. 18, 2021]. Retrieved from the Internet: https://www.rhinorack.com/en-us/products/roof/platforms-and-baskets/pioneer-platforms/pioneer-platform-52-x-49-unassembled_52109f(Year: 2021).*

* cited by examiner

Primary Examiner — Cary M Robinson

Assistant Examiner — Adam C Mager

(74) *Attorney, Agent, or Firm* — Bakos & Kritzer

(57) **CLAIM**

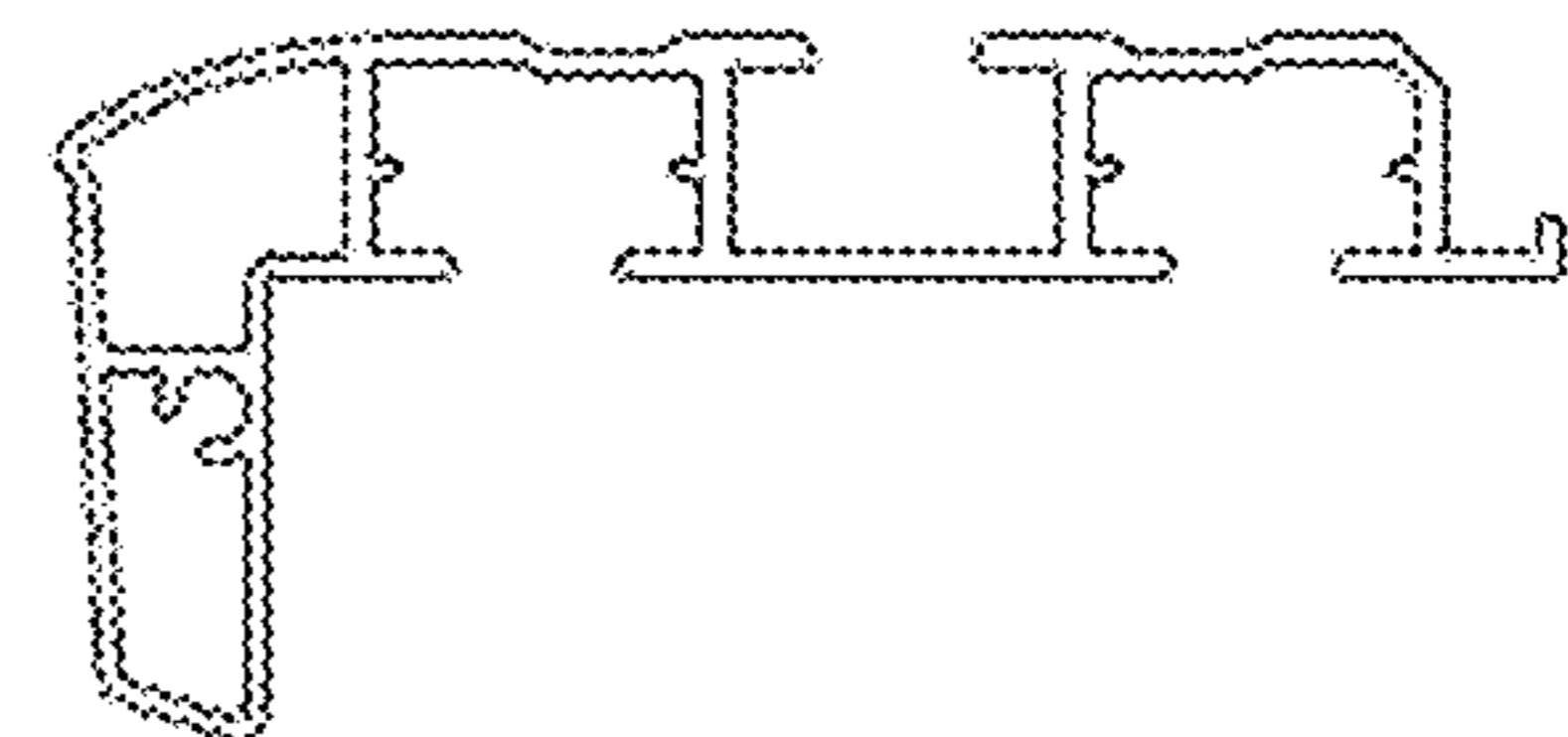
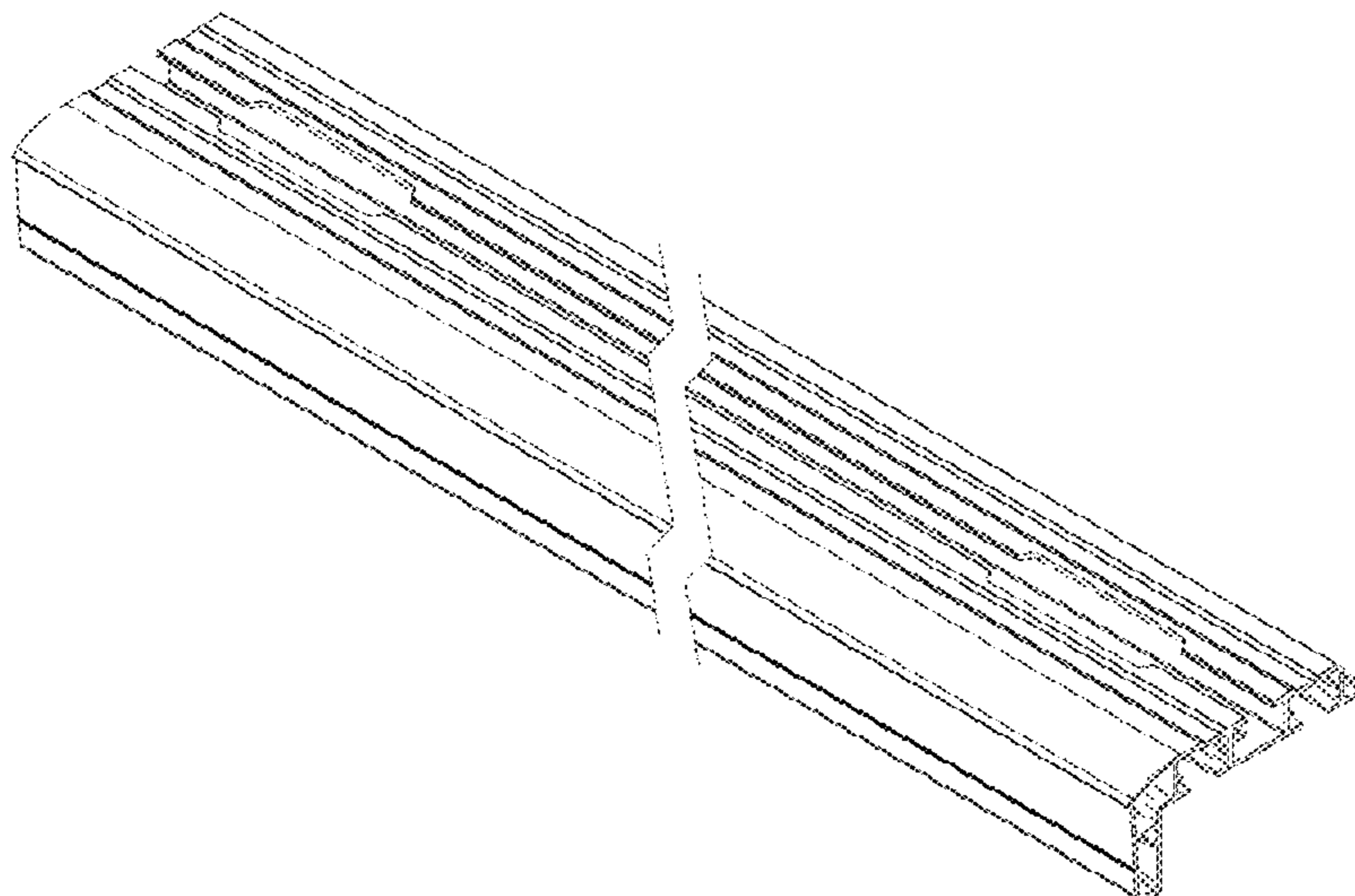
The ornamental design for a side extrusion for roof rack, as shown and described.

DESCRIPTION

FIG. 1 is a top perspective view of a side extrusion for roof rack showing the new design;
FIG. 2 is a bottom perspective view thereof;
FIG. 3 is a top view thereof;
FIG. 4 is a front view thereof;
FIG. 5 is a bottom view thereof; and,
FIG. 6 is a side view thereof.

The side extrusion for roof rack is shown with symbolic breaks in its length. The appearance of any portion of the article between the break lines forms no part of the claimed design.

1 Claim, 6 Drawing Sheets



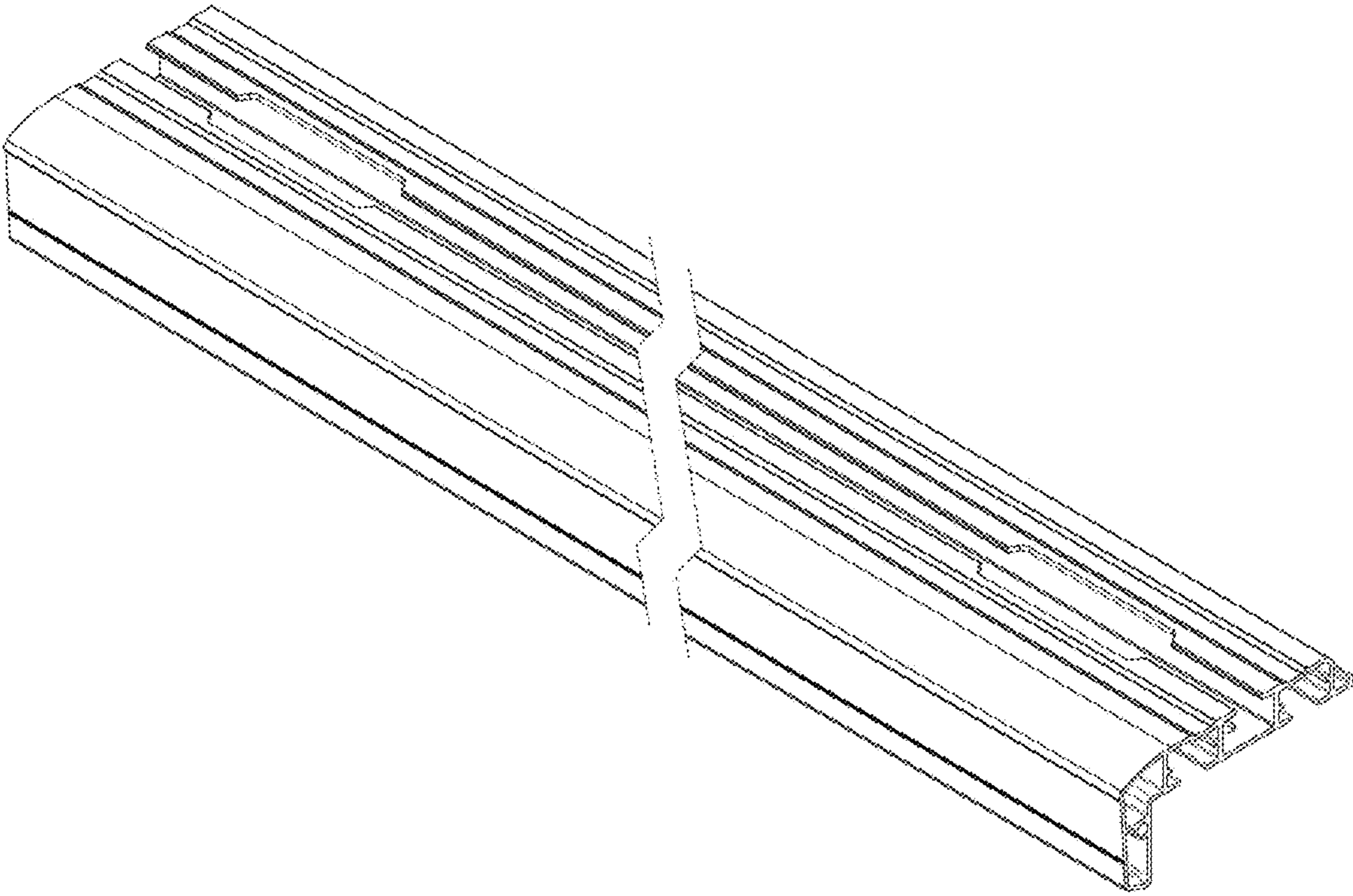


FIG. 1

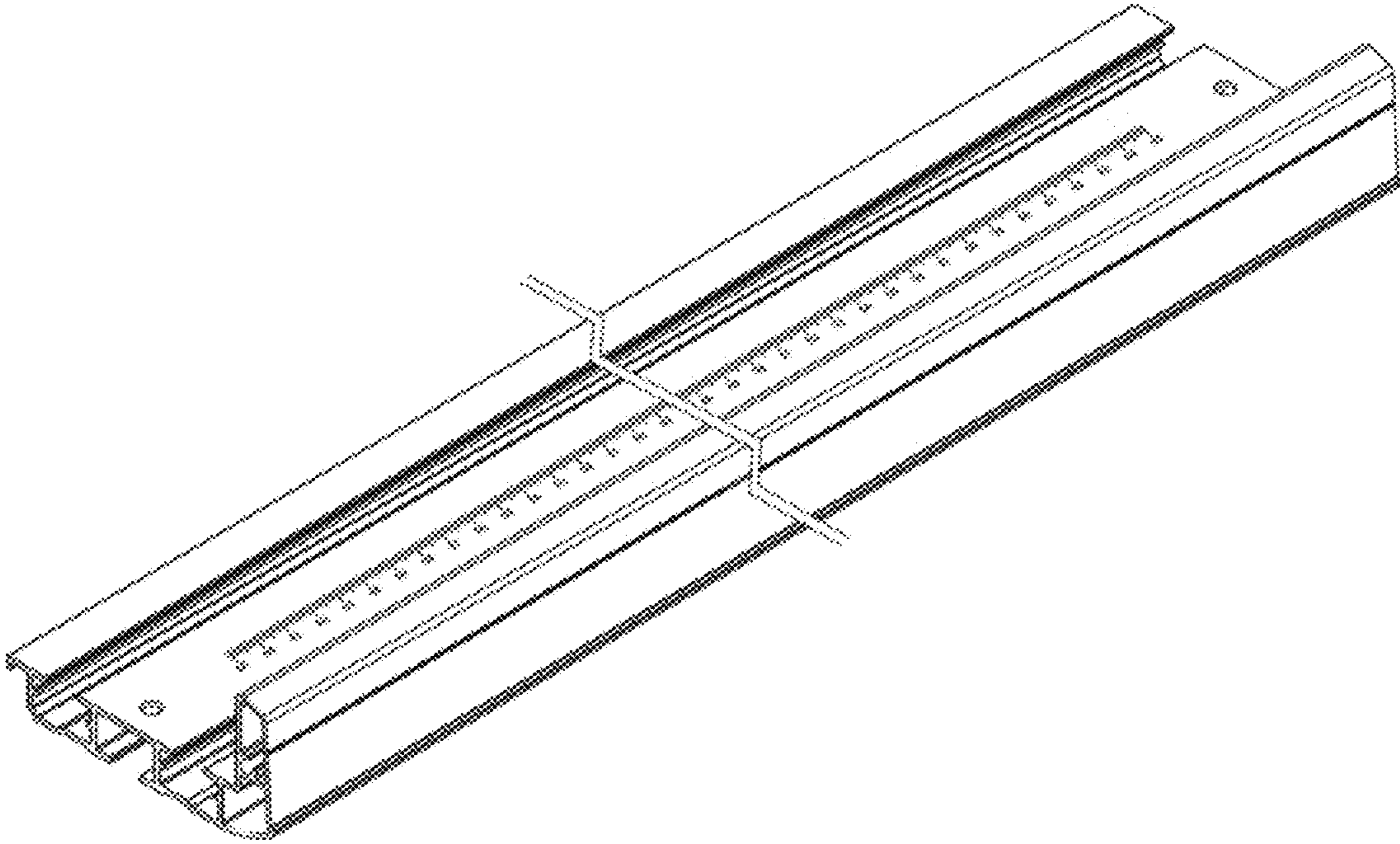


FIG. 2

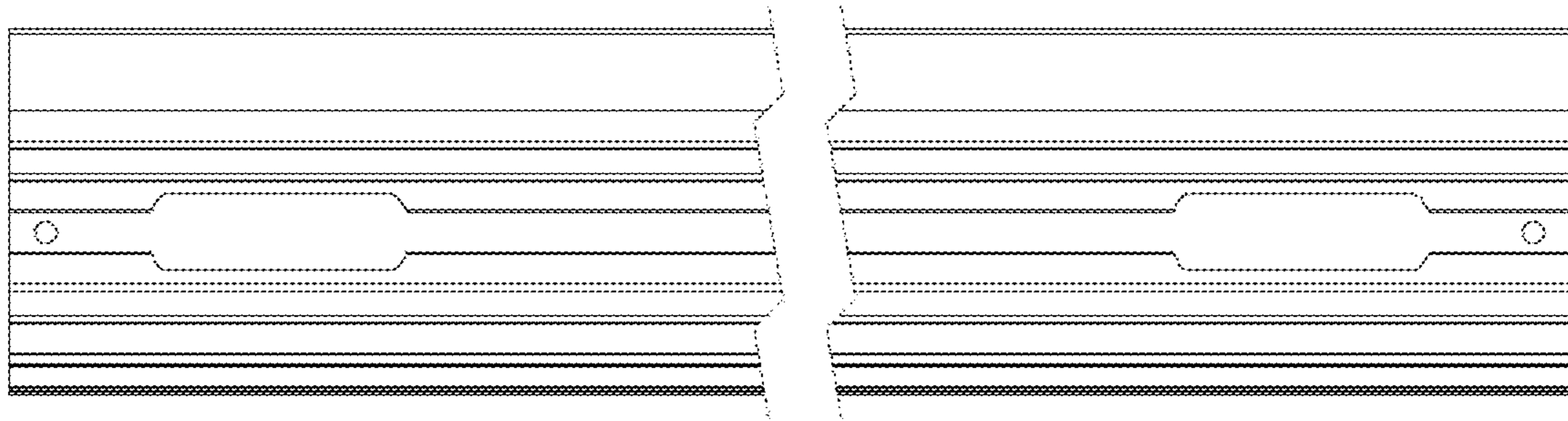


FIG. 3

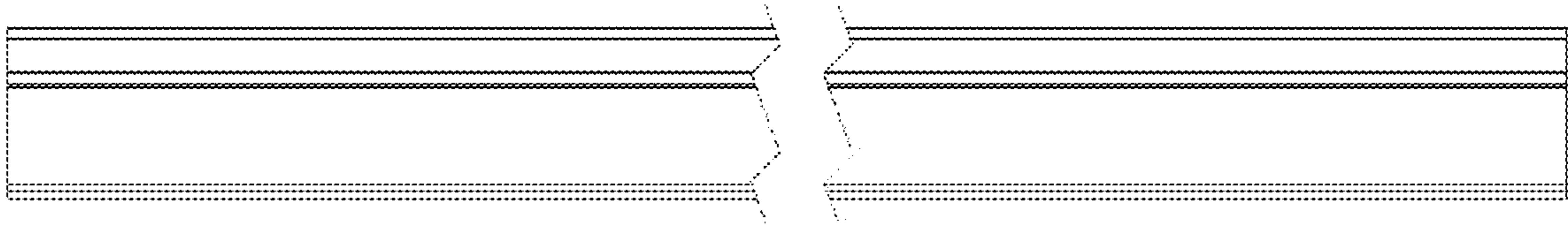


FIG. 4

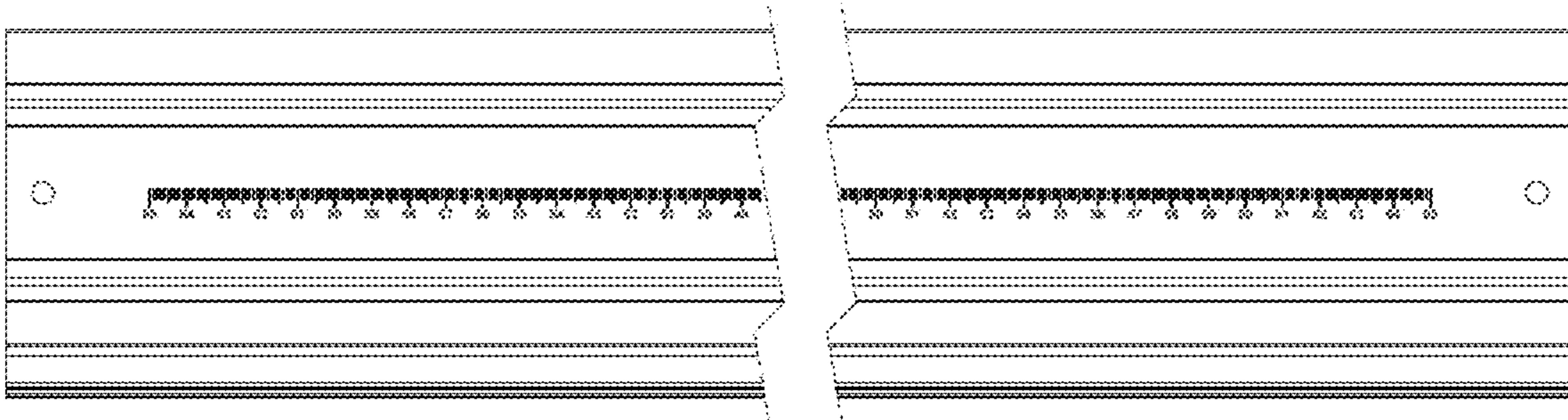


FIG. 5

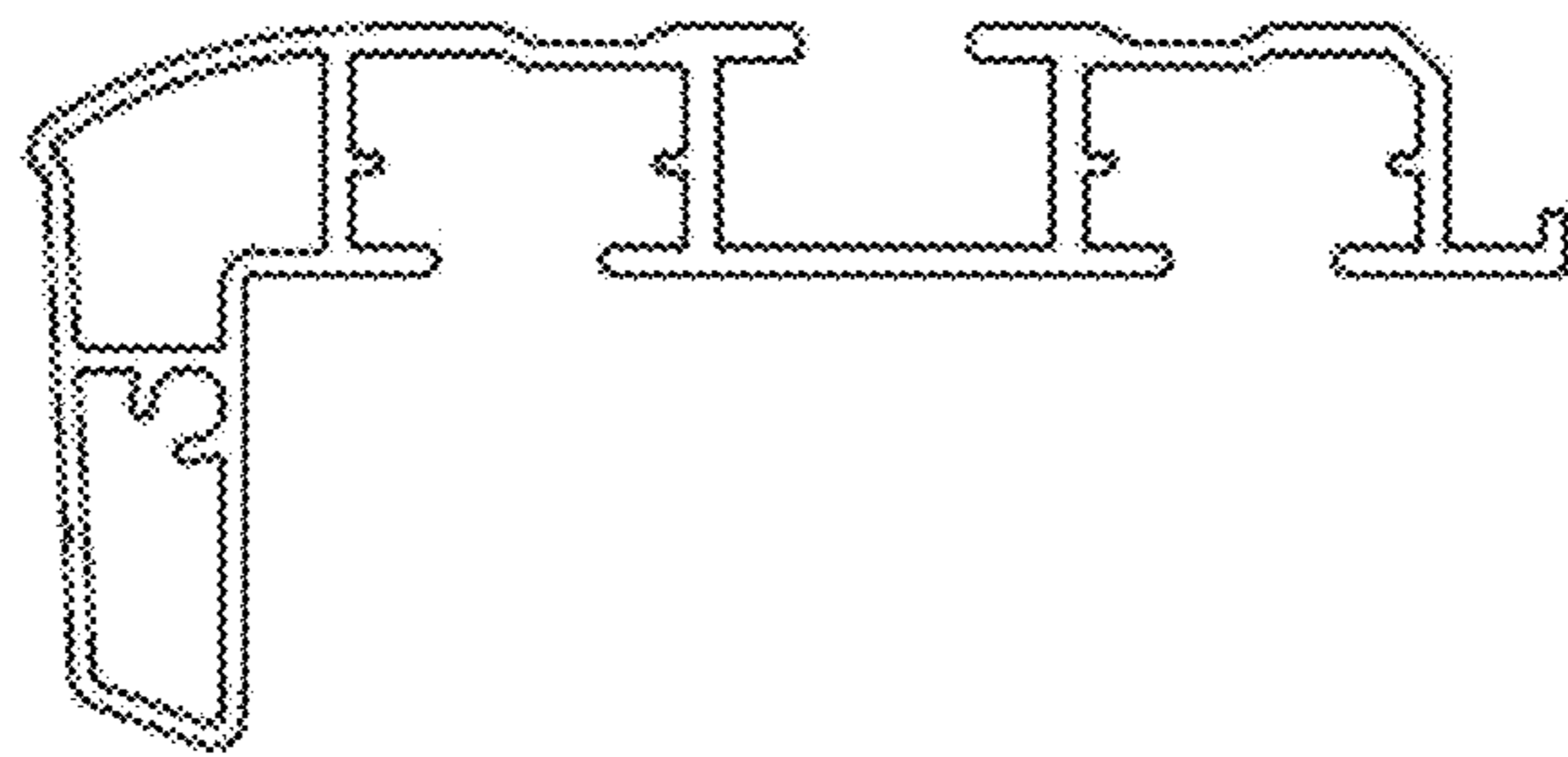


FIG. 6