



US00D944178S

(12) **United States Design Patent**  
**Brown, Jr.**

(10) **Patent No.:** **US D944,178 S**  
(45) **Date of Patent:** **\*\* Feb. 22, 2022**

- (54) **DOCK BOAT MOUNT**
- (71) Applicant: **Maynard H. Brown, Jr.**, Fishers Landing, NY (US)
- (72) Inventor: **Maynard H. Brown, Jr.**, Fishers Landing, NY (US)
- (\*\*) Term: **15 Years**
- (21) Appl. No.: **29/799,905**
- (22) Filed: **Jul. 16, 2021**
- (51) **LOC (13) Cl.** ..... **12-06**
- (52) **U.S. Cl.**  
USPC ..... **D12/317**
- (58) **Field of Classification Search**  
USPC ..... D12/317  
CPC ..... E02B 3/24; B63B 2021/003; B63B 21/00;  
B63B 21/04  
See application file for complete search history.

- 5,520,134 A \* 5/1996 Walker ..... B63B 21/00  
114/230.25
- 6,659,033 B1 \* 12/2003 Donley ..... B63B 21/00  
114/230.15
- 7,784,418 B2 \* 8/2010 Hall ..... B63B 21/00  
114/230.18
- 7,971,546 B1 \* 7/2011 Sandor, Sr. .... E02B 3/26  
114/219
- 8,499,710 B2 \* 8/2013 Marshall ..... E02B 3/20  
114/230.22
- 8,567,334 B1 10/2013 Matlin

\* cited by examiner

*Primary Examiner* — Cynthia M. Chin

(57) **CLAIM**

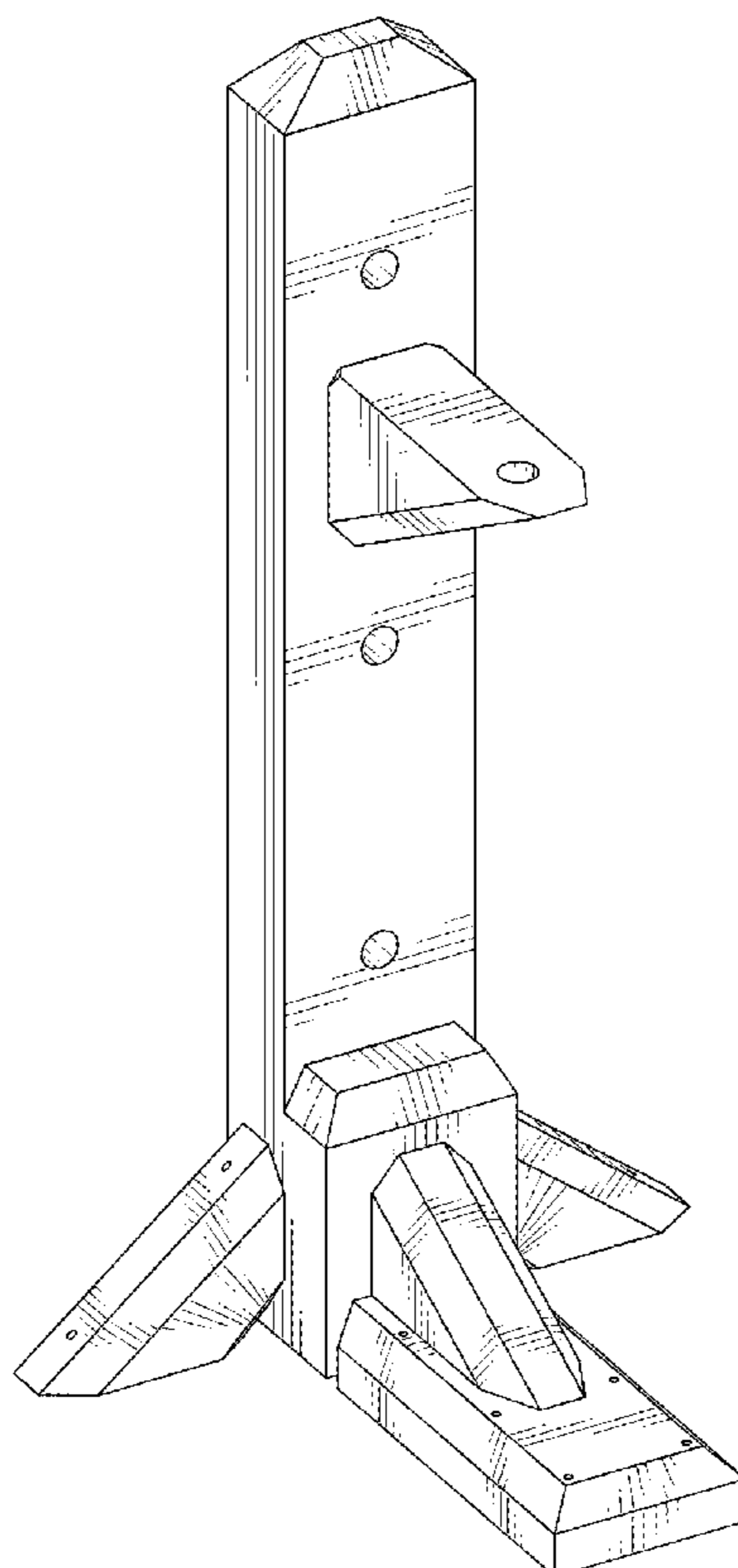
The ornamental design for a dock boat mount, as shown and described.

**DESCRIPTION**

FIG. 1 is a front-top-right perspective view of a dock boat mount showing my new design;  
 FIG. 2 is a rear-bottom-left perspective view thereof;  
 FIG. 3 is a front elevational view thereof;  
 FIG. 4 is a rear elevational view thereof;  
 FIG. 5 is a right elevational view thereof;  
 FIG. 6 is a left elevational view thereof;  
 FIG. 7 is a top plan view thereof; and,  
 FIG. 8 is a bottom plan view thereof.

**1 Claim, 8 Drawing Sheets**

- (56) **References Cited**  
U.S. PATENT DOCUMENTS
- 3,330,244 A \* 7/1967 Page ..... E02B 3/24  
114/230.19
- 4,041,887 A 8/1977 Paul
- 4,480,576 A 11/1984 Mills
- 4,977,846 A \* 12/1990 Landa ..... B63B 21/00  
114/230.17
- D342,477 S \* 12/1993 Lovelady ..... D12/215
- 5,518,342 A 5/1996 Wright



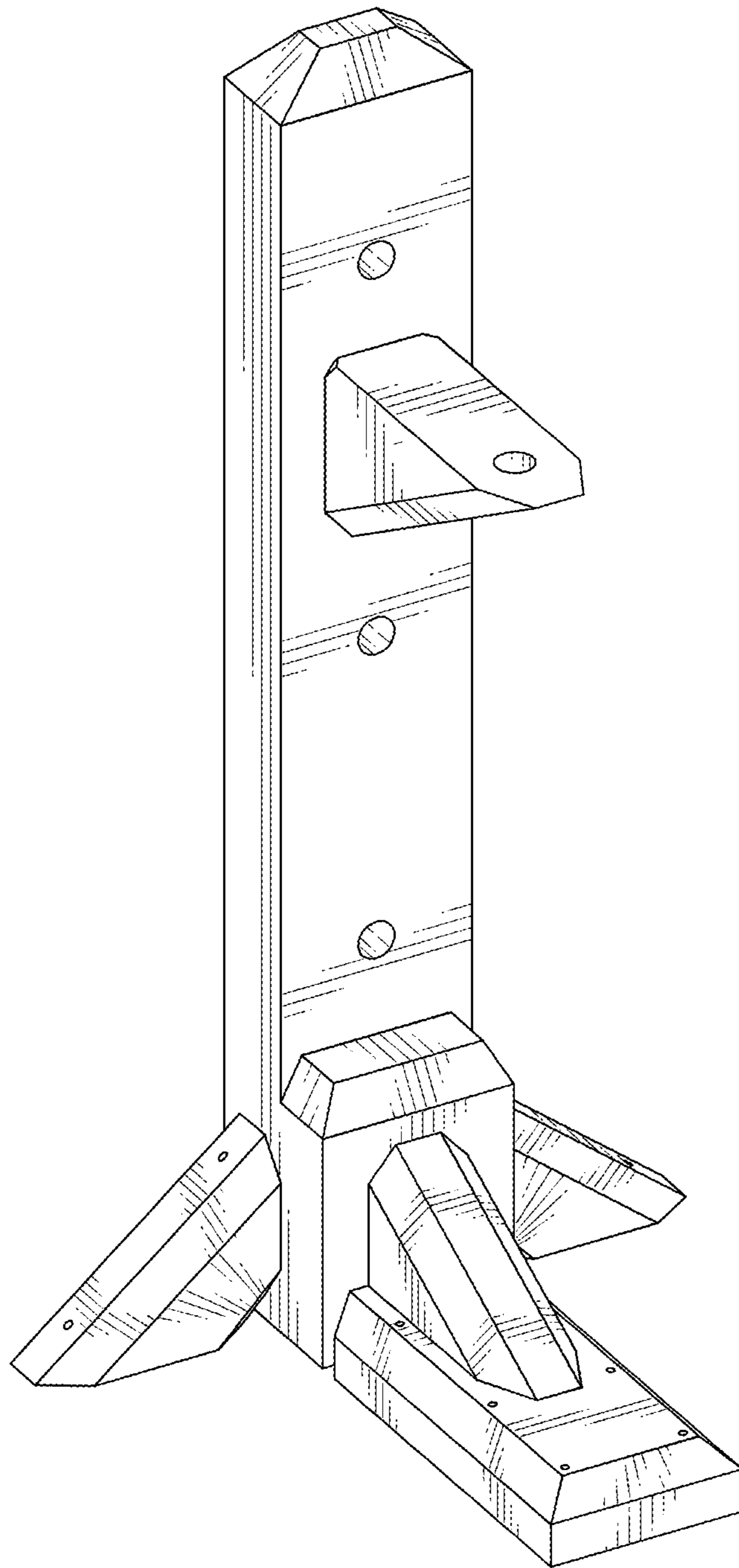


FIG. 1

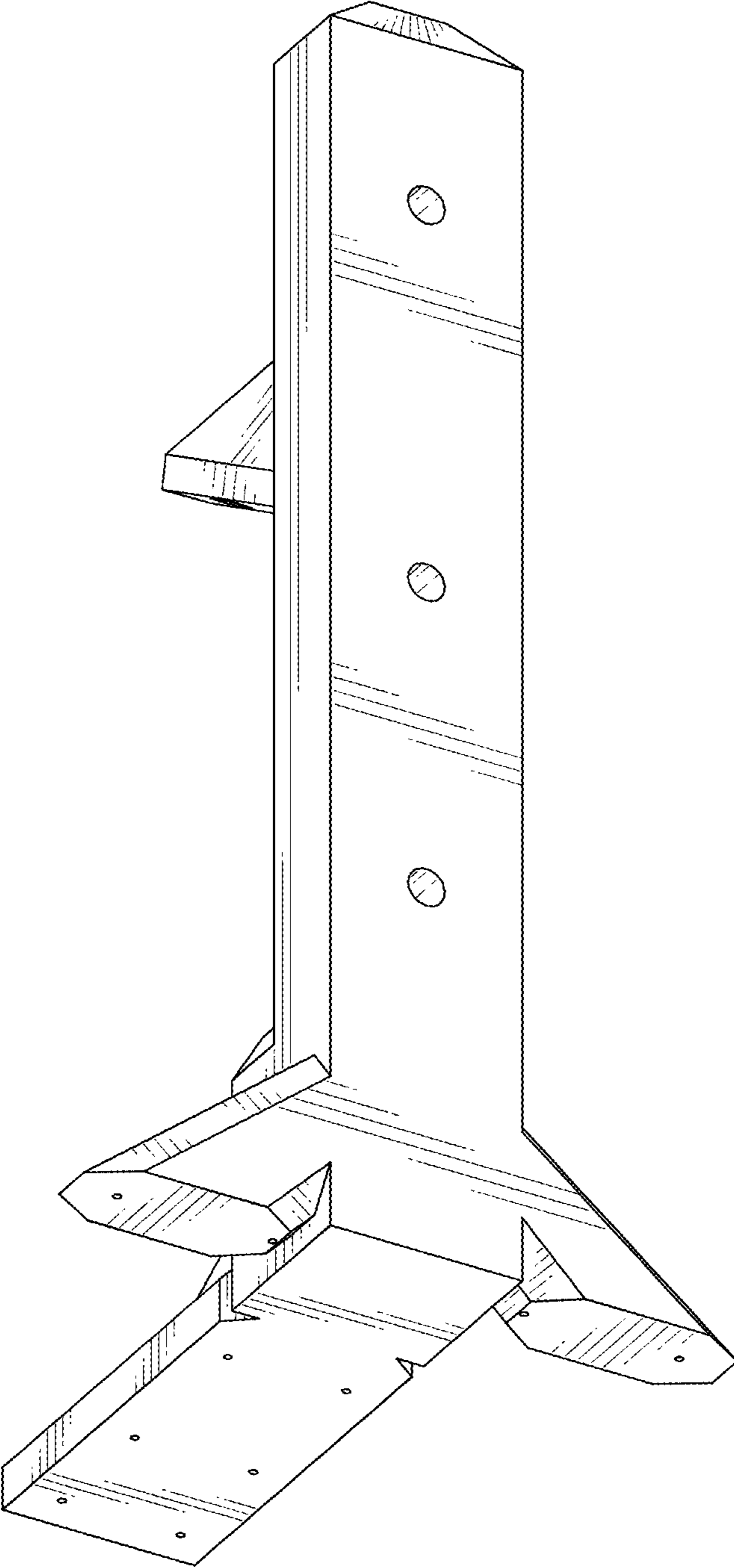


FIG. 2

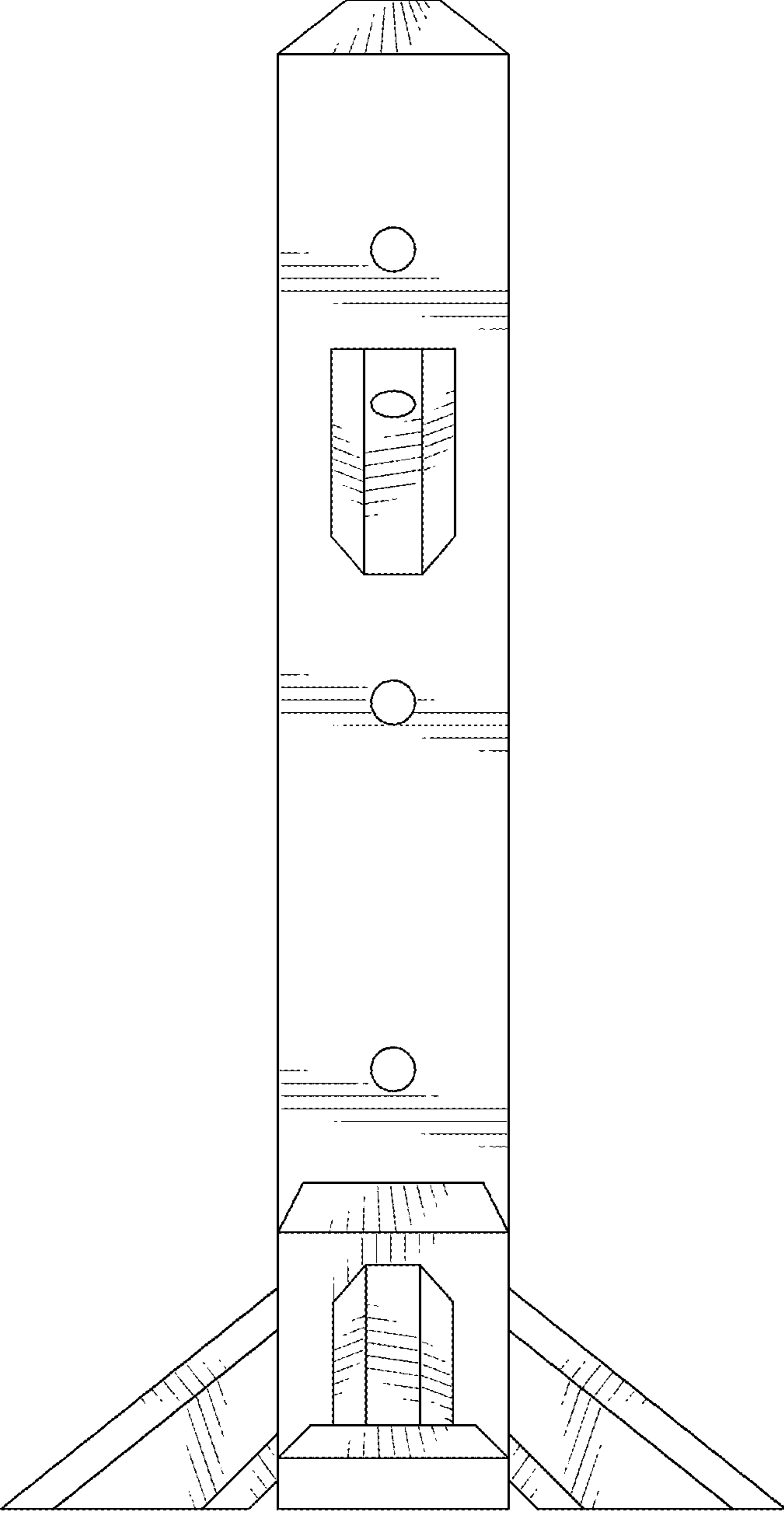


FIG. 3

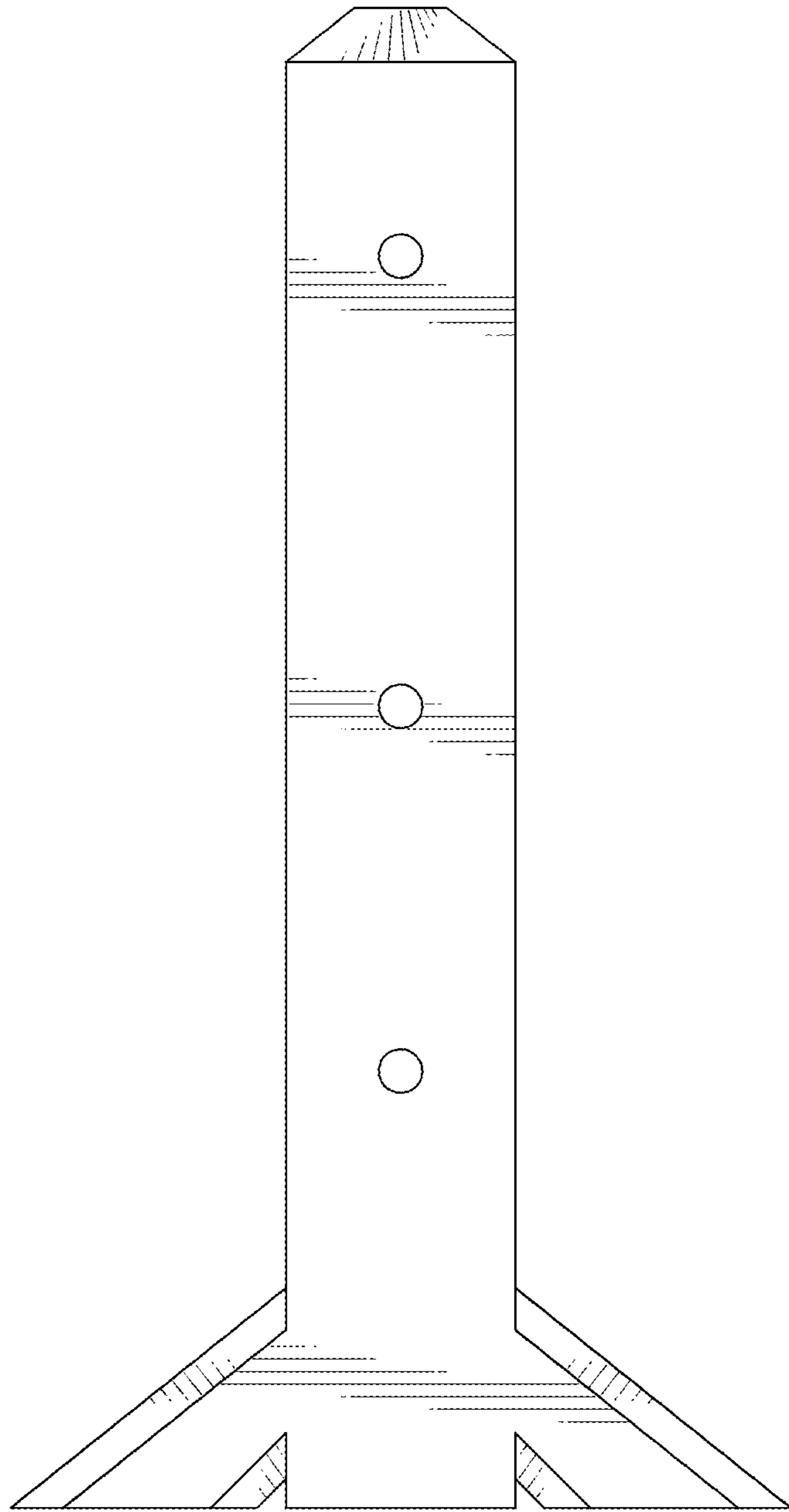


FIG. 4

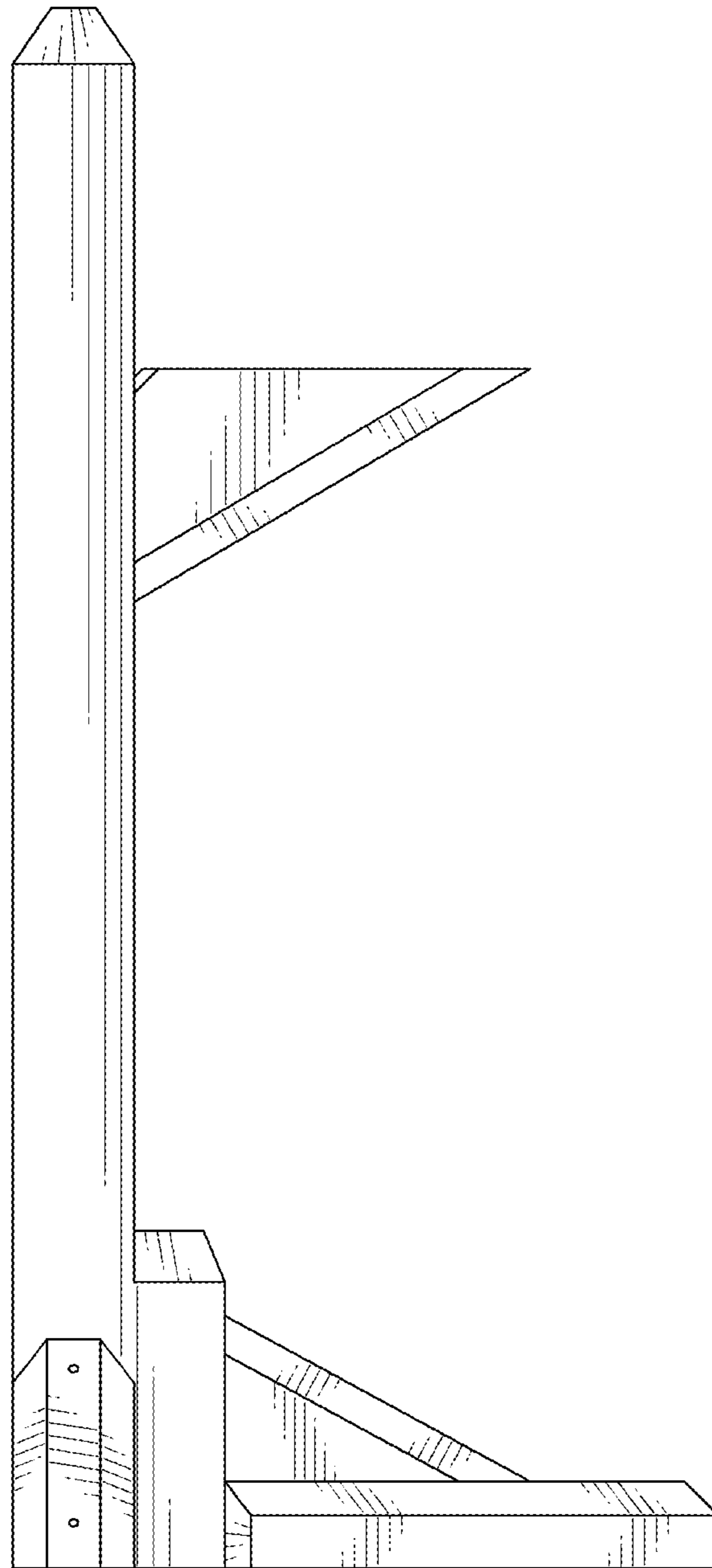


FIG. 5

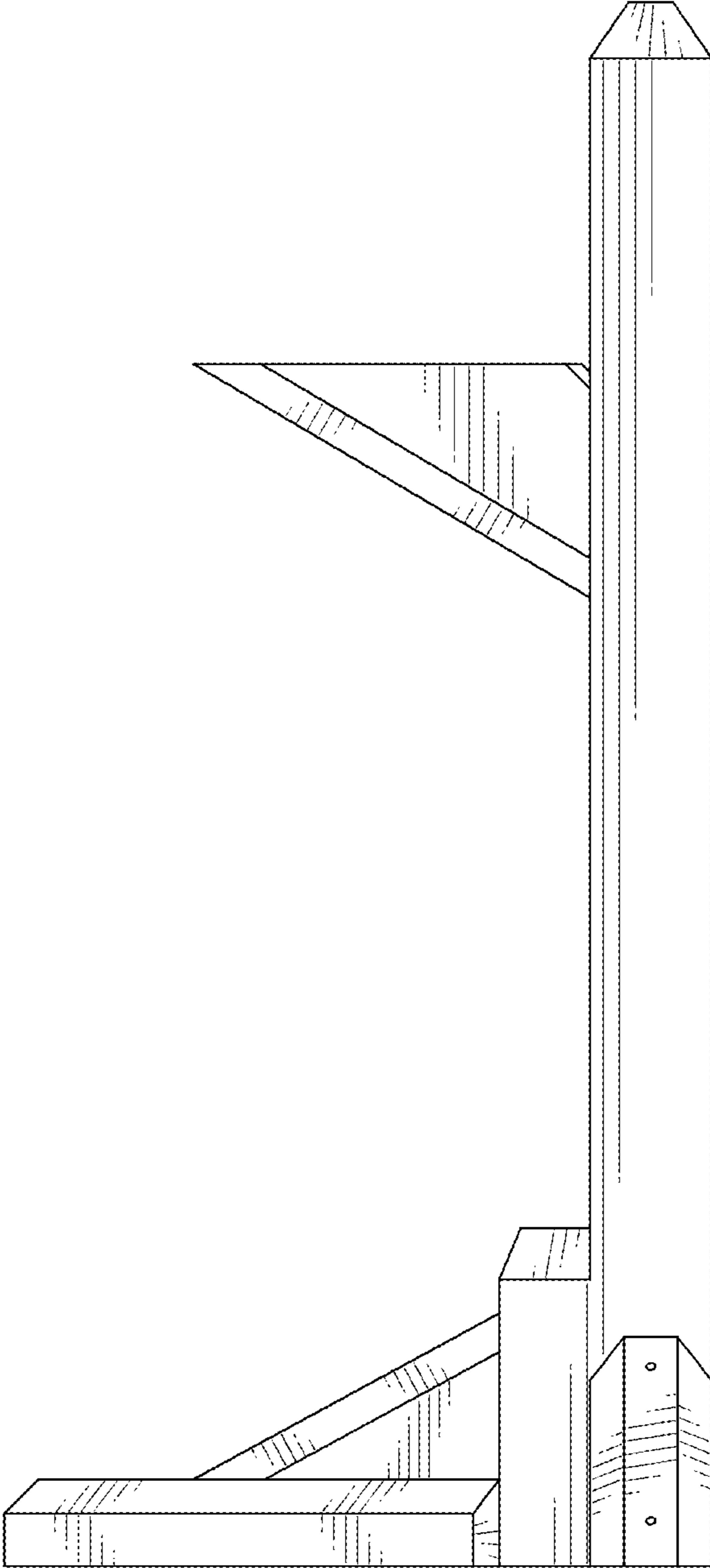


FIG. 6

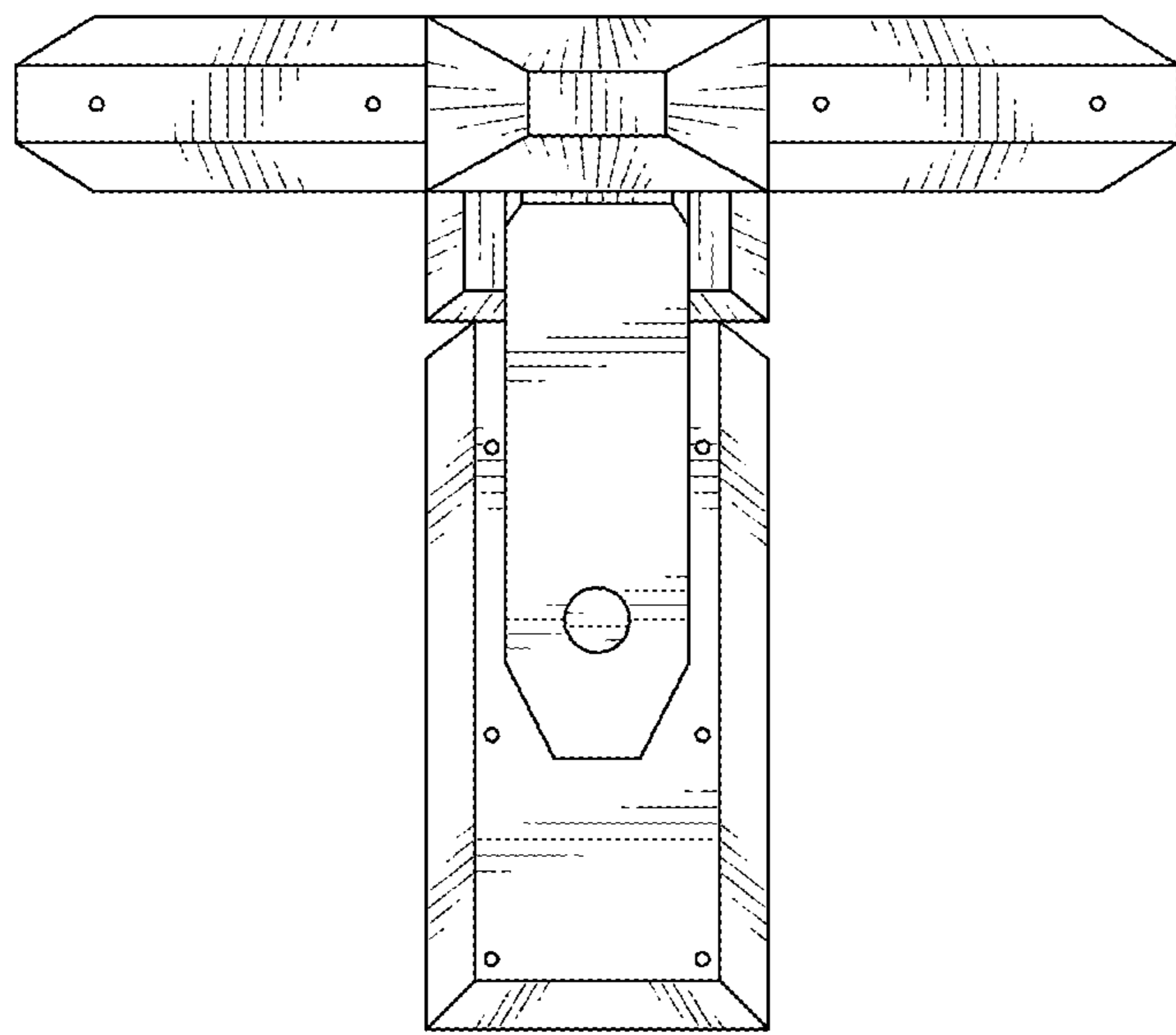


FIG. 7



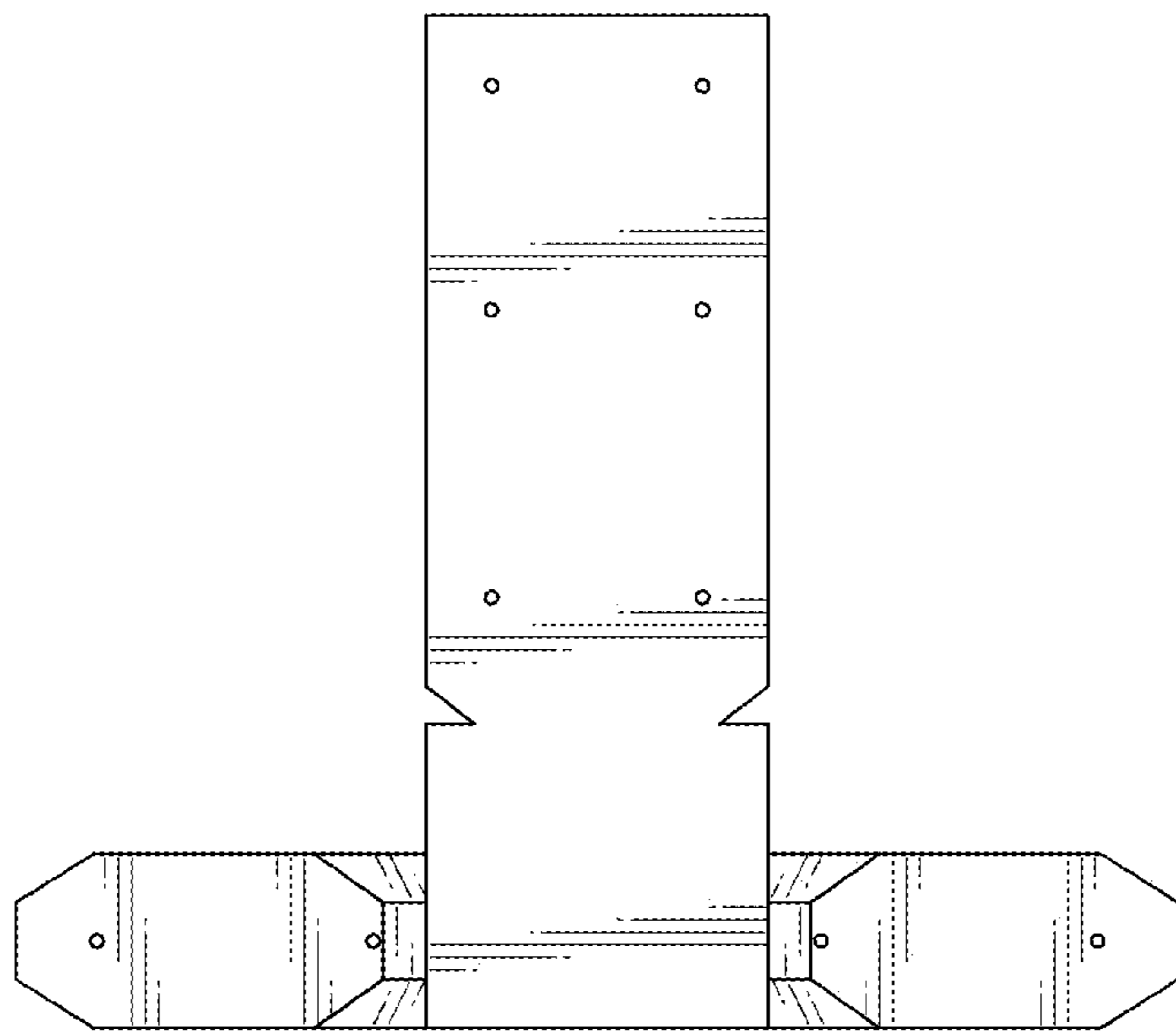


FIG. 8