



US00D944175S

(12) **United States Design Patent** (10) **Patent No.:** **US D944,175 S**
Hall et al. (45) **Date of Patent:** **** Feb. 22, 2022**

(54) **TRAY FOR A TRUCK**
(71) Applicant: **AUSTIN ENGINEERING LIMITED,**
Milton (AU)
(72) Inventors: **Jamie Vincent Clarke Hall,**
Kalamunda (AU); **Lyndon Brian**
Greeshaw, Yukine (AU)
(73) Assignee: **AUSTIN ENGINEERING LIMITED**
(**) Term: **15 Years**

D796,415 S * 9/2017 Tsukamoto D12/331
D798,796 S * 10/2017 Yang D12/331
D807,275 S * 1/2018 Bennett D12/401
D820,188 S 6/2018 Hanson
D821,955 S * 7/2018 Dexter D12/221
D839,817 S * 2/2019 Erspamer D12/401
D852,717 S 7/2019 Champney
D852,718 S 7/2019 Champney
D883,895 S * 5/2020 Kraenzel D12/221
10,710,533 B2 * 7/2020 DeBerti B62D 43/045
D892,023 S * 8/2020 Price D12/221
D906,219 S * 12/2020 Medina D12/221

(Continued)

(21) Appl. No.: **29/764,263**
(22) Filed: **Dec. 29, 2020**

FOREIGN PATENT DOCUMENTS

AU 332686 8/2010
CL 42705 3/2001

Related U.S. Application Data

(63) Continuation of application No. 29/681,663, filed on
Feb. 27, 2019, now Pat. No. Des. 909,277.

(30) Foreign Application Priority Data

Aug. 30, 2018 (AU) 201815225

(51) **LOC (13) Cl.** **12-16**

(52) **U.S. Cl.**
USPC **D12/221**

(58) **Field of Classification Search**
USPC D12/221, 98; D9/431-433, 44, 420, 422,
D9/424
CPC .. B60R 5/00; B60R 7/04; B60R 99/00; B60N
2/30
See application file for complete search history.

(56) References Cited

U.S. PATENT DOCUMENTS

D483,314 S 12/2003 Graves
D488,764 S 4/2004 Sierakowski et al.
D537,770 S * 3/2007 Yamazaki D12/221
D718,697 S * 12/2014 Koblenzer D12/221
D761,185 S 7/2016 Coyle et al.

OTHER PUBLICATIONS

“Hercules Tray from DT Australia”, pp. 6-7, available as early as
Jul. 22, 2019.

Primary Examiner — Katrina A Betton
(74) *Attorney, Agent, or Firm* — Saidman DesignLaw
Group, LLC

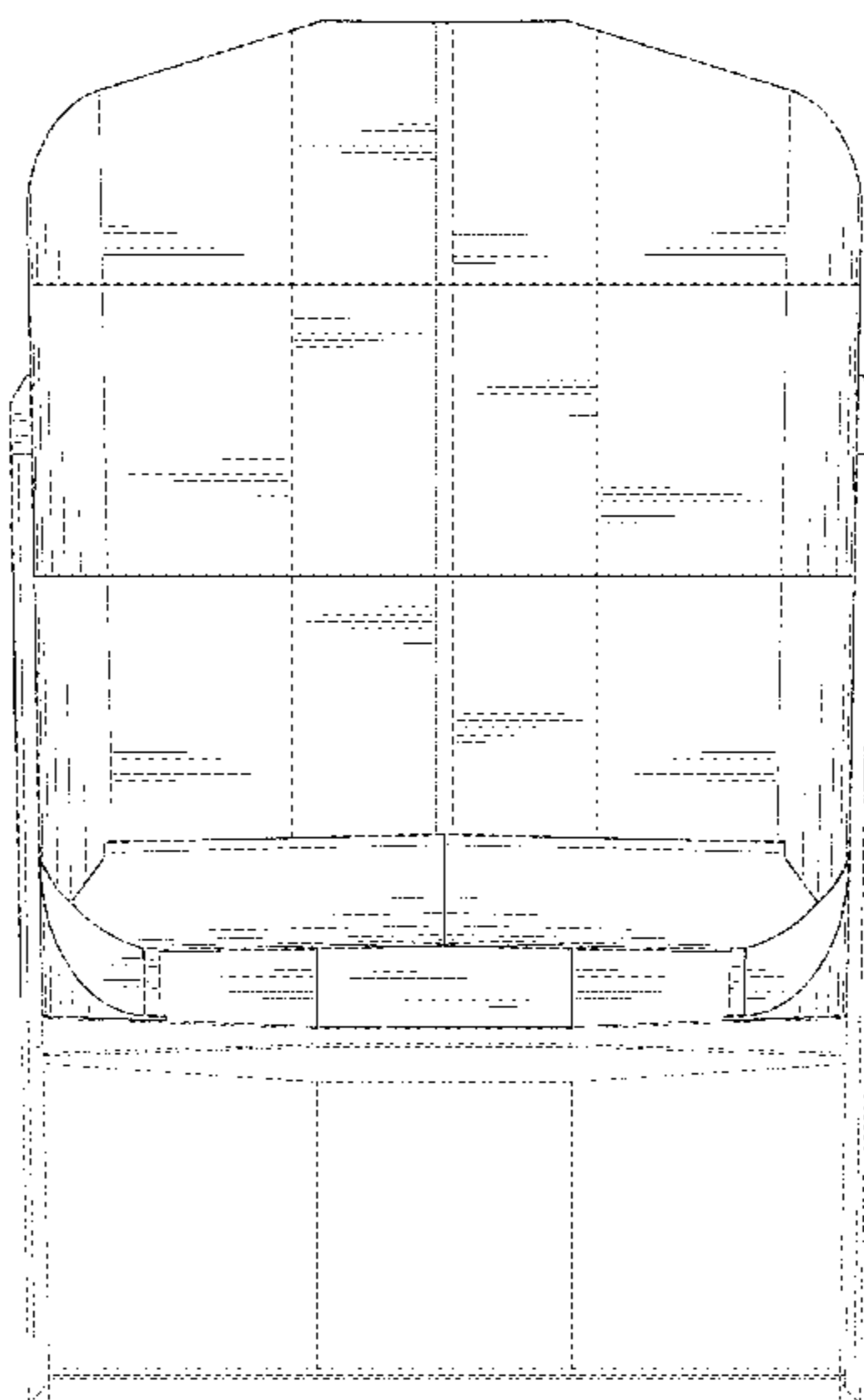
(57) CLAIM

The ornamental design for a tray for a truck, as shown and
described.

DESCRIPTION

FIG. 1 is a front perspective view of a tray for a truck
showing our new design;
FIG. 2 is a rear perspective view thereof;
FIG. 3 is a front view thereof;
FIG. 4 is a rear view thereof;
FIG. 5 is a right side view thereof;
FIG. 6 is a left side view thereof;
FIG. 7 is a top view thereof; and,
FIG. 8 is a bottom view thereof.

1 Claim, 7 Drawing Sheets



(56)

References Cited

U.S. PATENT DOCUMENTS

D909,277 S * 2/2021 Hall D12/221
11,124,247 B2 * 9/2021 Sosnowich B60R 9/06

* cited by examiner

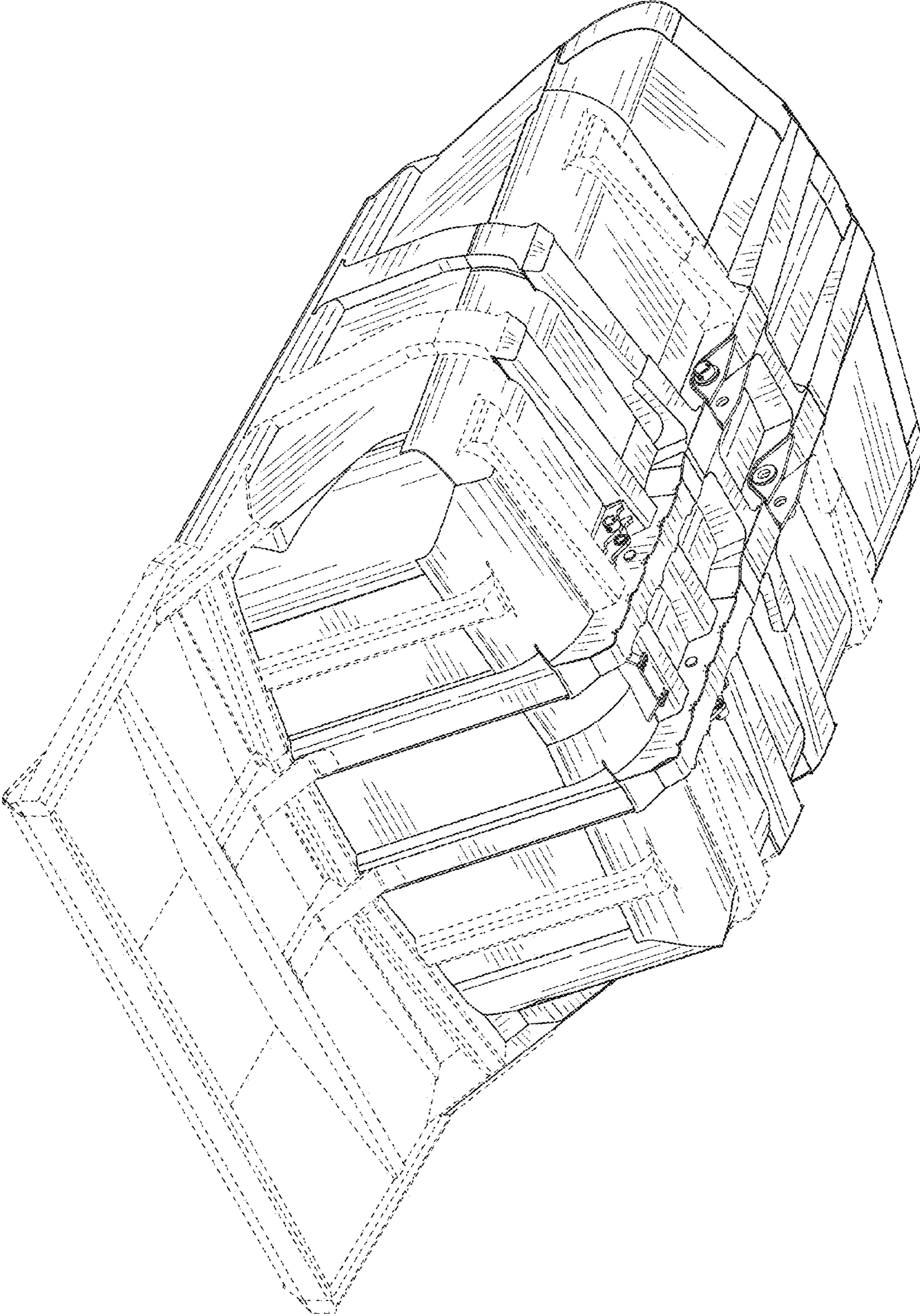


FIG. 1

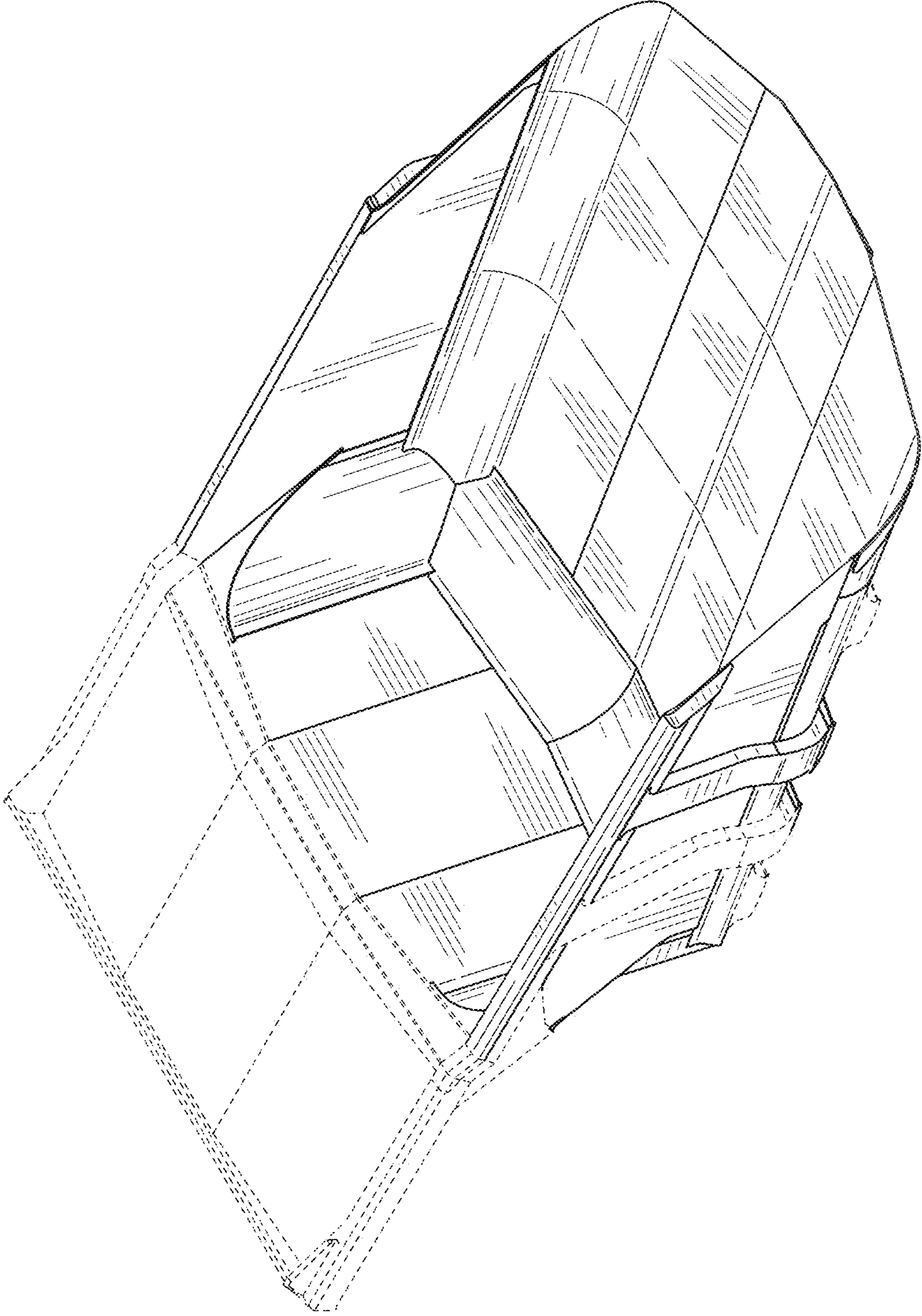


FIG. 2

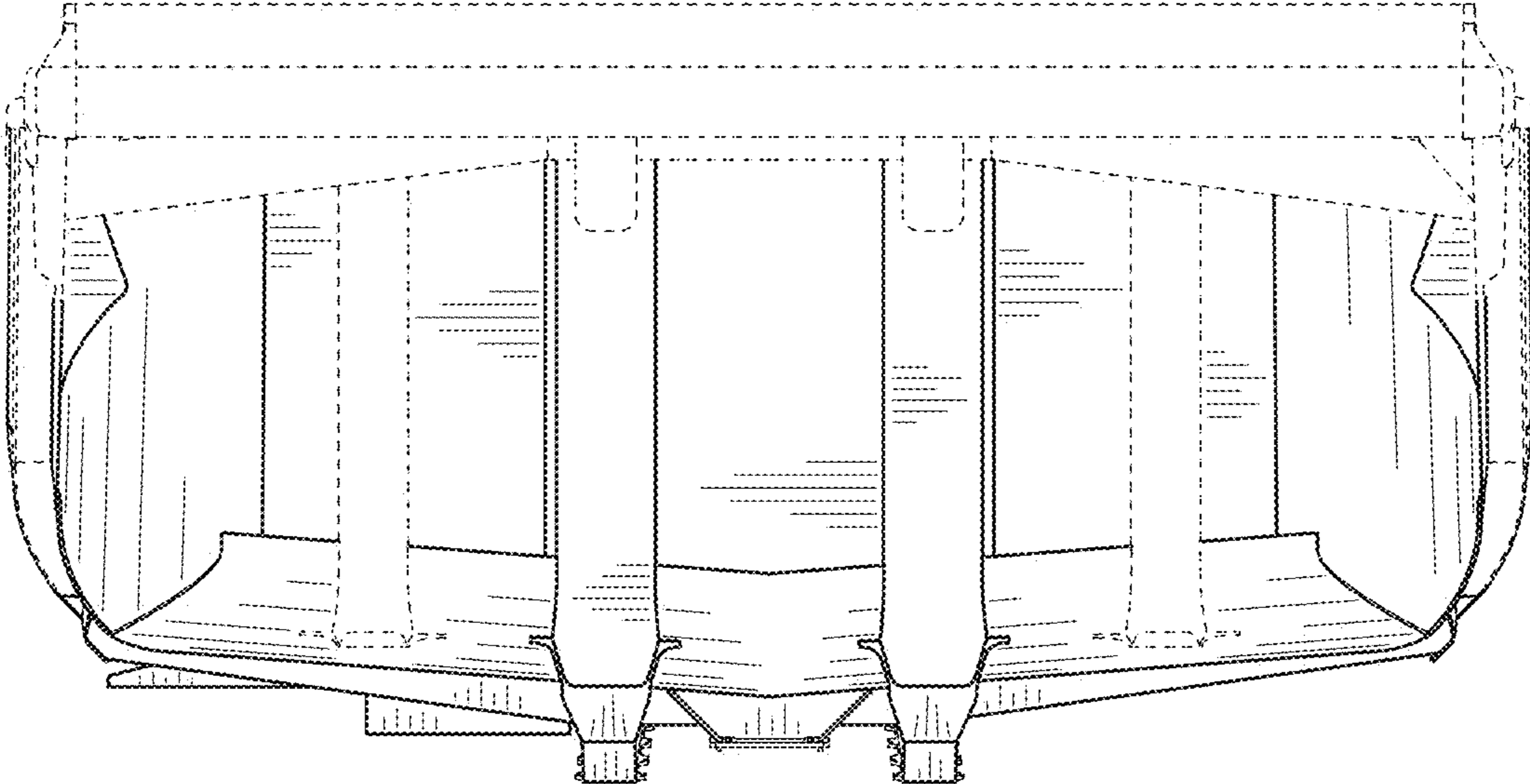


FIG. 3

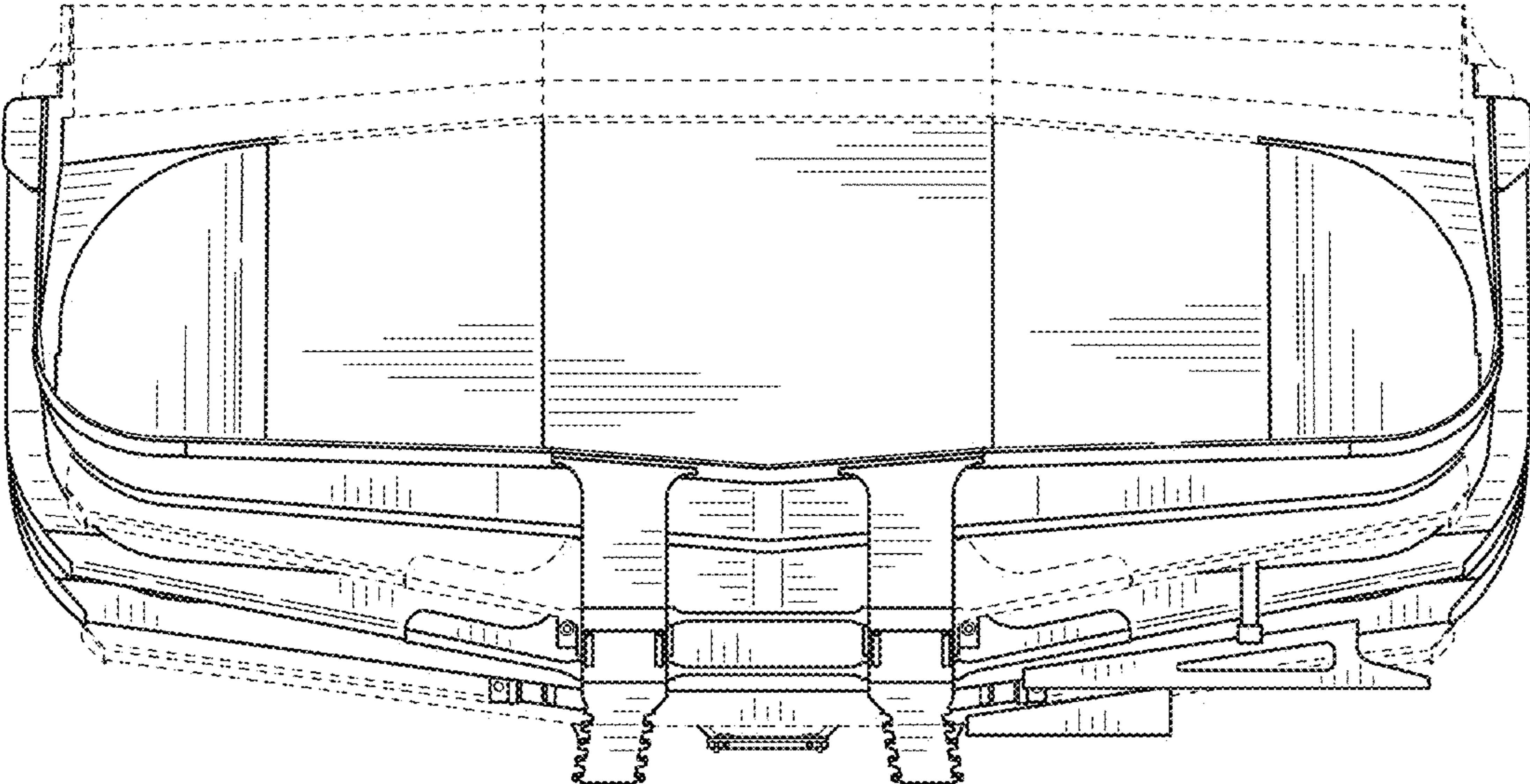


FIG. 4

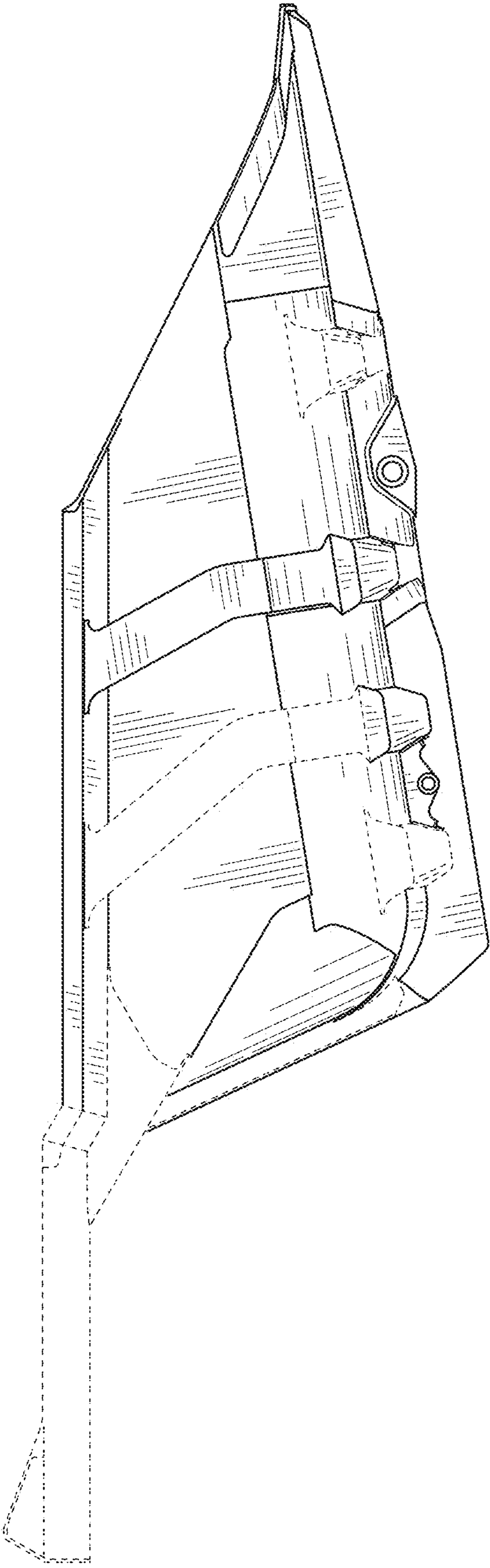


FIG. 5

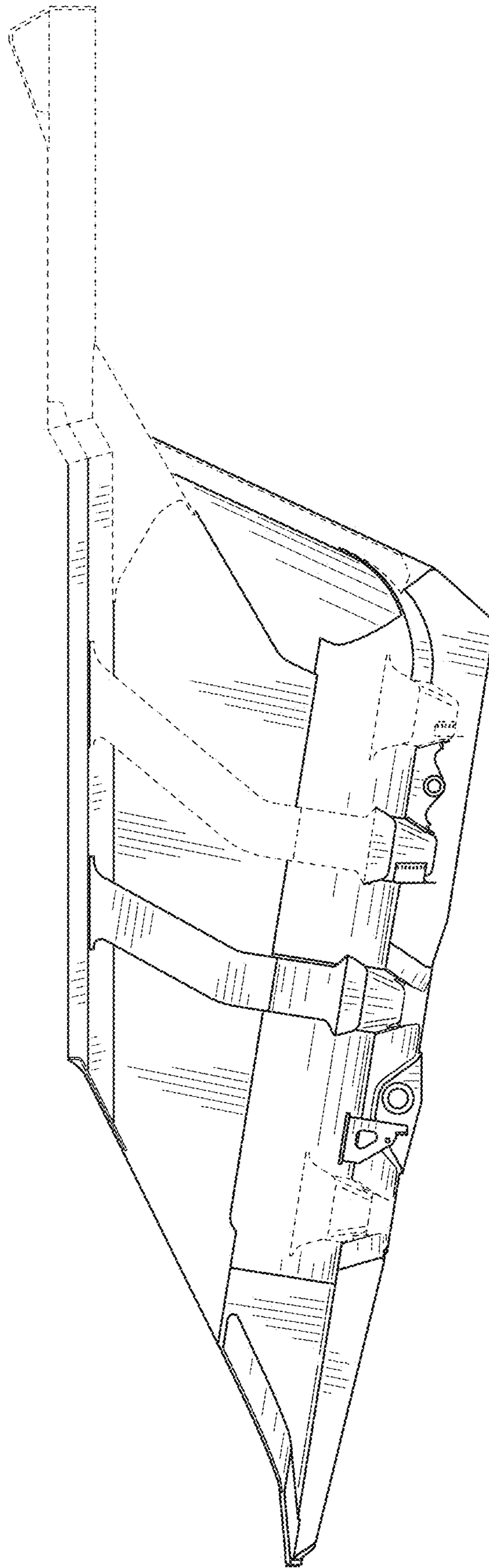


FIG. 6

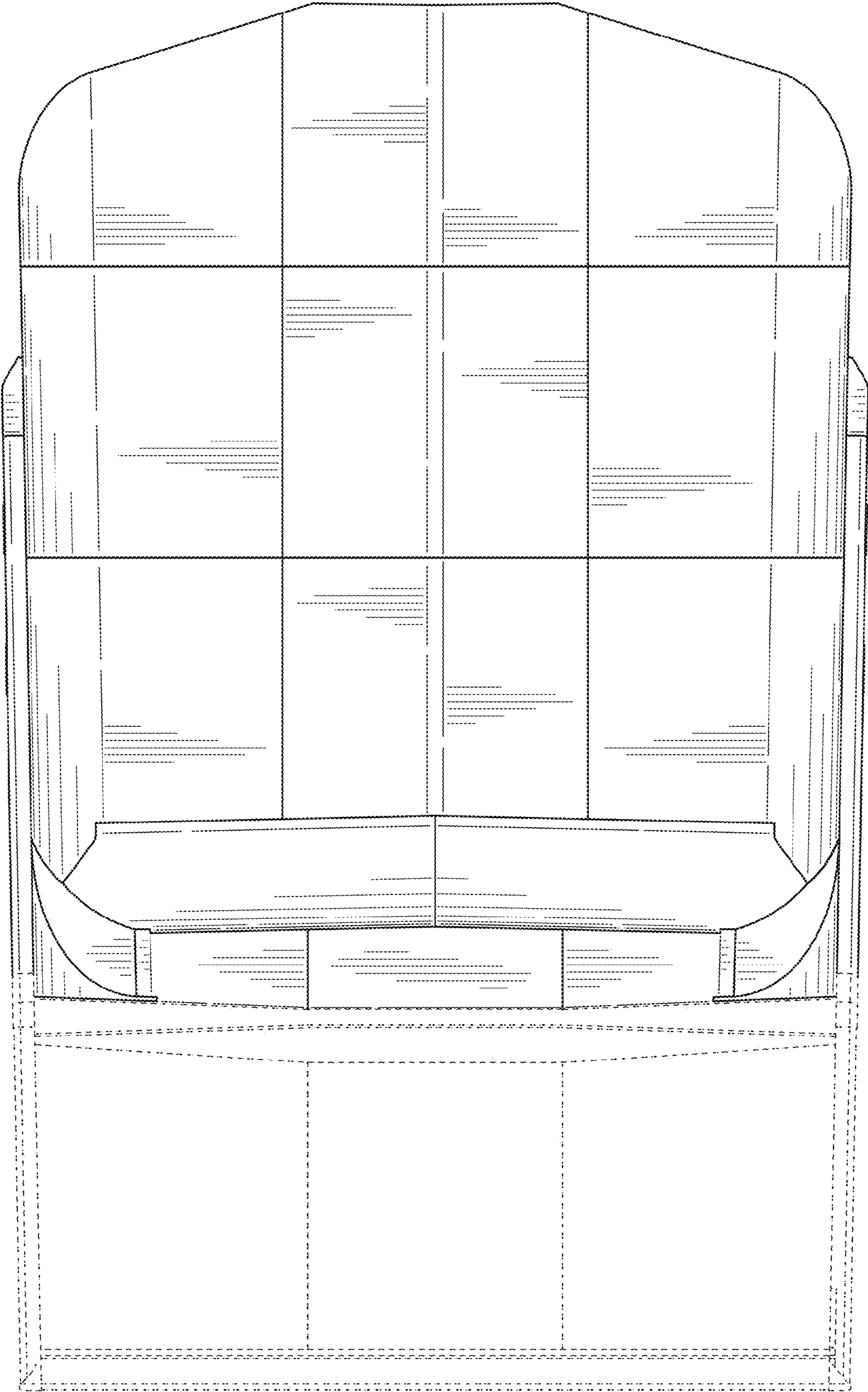


FIG. 7

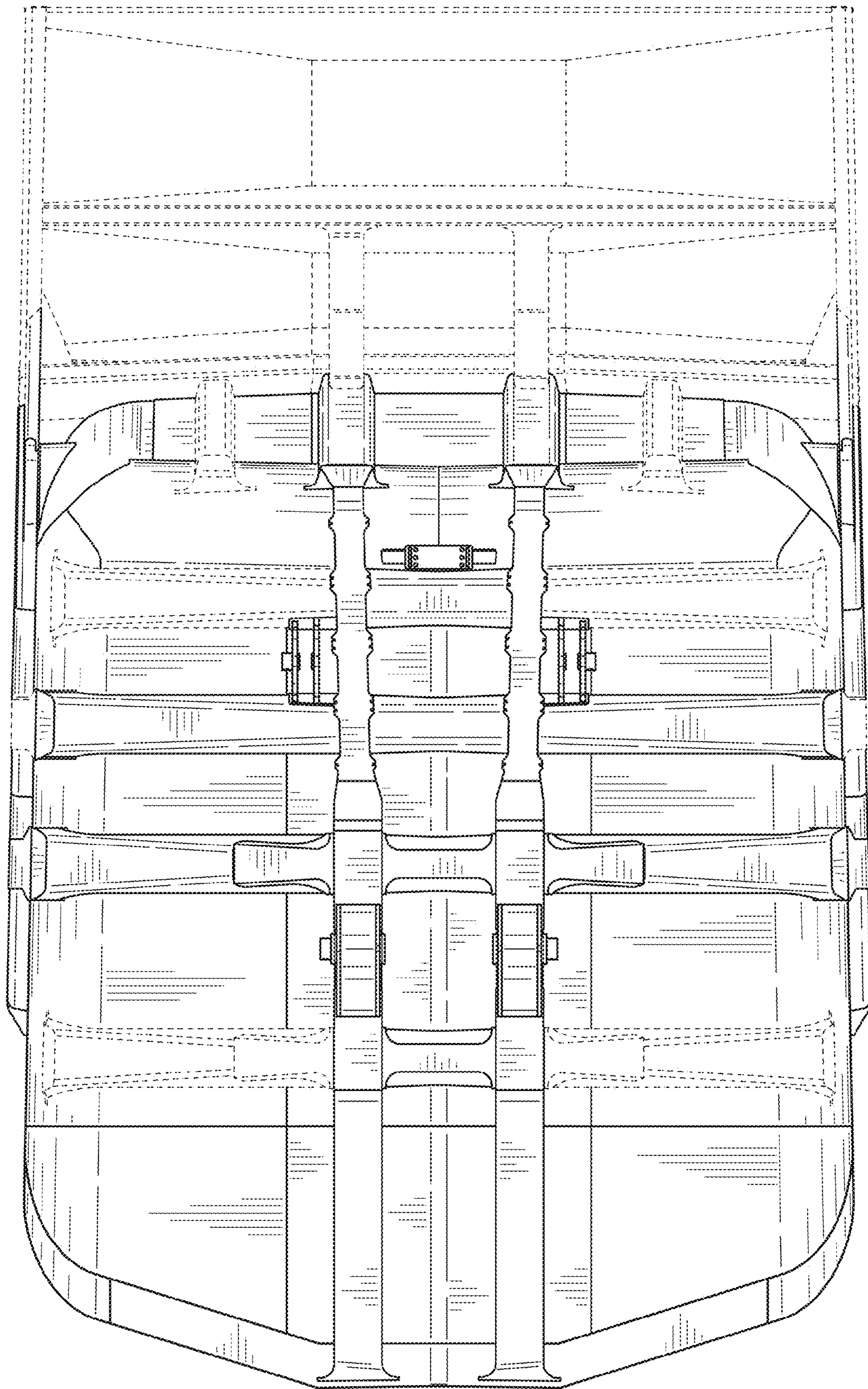


FIG. 8