



US00D944173S

(12) **United States Design Patent**  
**Mukti**

(10) **Patent No.:** **US D944,173 S**

(45) **Date of Patent:** **\*\* Feb. 22, 2022**

(54) **VEHICLE WHEEL**

(71) Applicant: **Quarsa, LLC**, Chino, CA (US)

(72) Inventor: **Ali Mukti**, Surabaya (ID)

(73) Assignee: **Quarsa, LLC**, Chino, CA (US)

(\*\*) Term: **15 Years**

(21) Appl. No.: **29/764,484**

(22) Filed: **Dec. 30, 2020**

(51) **LOC (13) Cl.** ..... **12-16**

(52) **U.S. Cl.**  
USPC ..... **D12/211**

(58) **Field of Classification Search**  
USPC ..... D12/204–213; D21/563  
CPC .... B60B 7/00; B60B 7/02; B60B 7/04; B60B 7/01; B60B 7/06; B60B 3/02; B60B 3/04; B60B 3/06; B60B 3/10; B60B 1/00; B60B 1/08; B60B 1/10; B60B 1/12  
See application file for complete search history.

(56) **References Cited**

**U.S. PATENT DOCUMENTS**

D500,727 S \* 1/2005 Thompson ..... D12/211  
D594,804 S \* 6/2009 Laengerer ..... D12/211

D614,114 S \* 4/2010 Kim ..... D12/211  
D626,051 S \* 10/2010 Fisker ..... D12/209  
D644,589 S \* 9/2011 Fisker ..... D12/211  
D663,248 S \* 7/2012 Kogawa ..... D12/209  
D671,876 S \* 12/2012 Roura ..... D12/209  
D676,794 S \* 2/2013 Hilpert ..... D12/209  
D729,137 S \* 5/2015 Muntada Roura ..... D12/209  
D749,030 S \* 2/2016 Zhao ..... D12/211  
D770,958 S \* 11/2016 Panchai ..... D12/211  
D833,359 S \* 11/2018 Ranum ..... D12/209  
D859,267 S \* 9/2019 Valencia Pollex ..... D12/209  
D870,629 S \* 12/2019 Bjerke ..... D12/209  
D911,911 S \* 3/2021 Liu ..... D12/211  
D913,898 S \* 3/2021 Ma ..... D12/211

\* cited by examiner

*Primary Examiner* — Stacia A Cadmus

(74) *Attorney, Agent, or Firm* — Snell & Wilmer L.L.P.

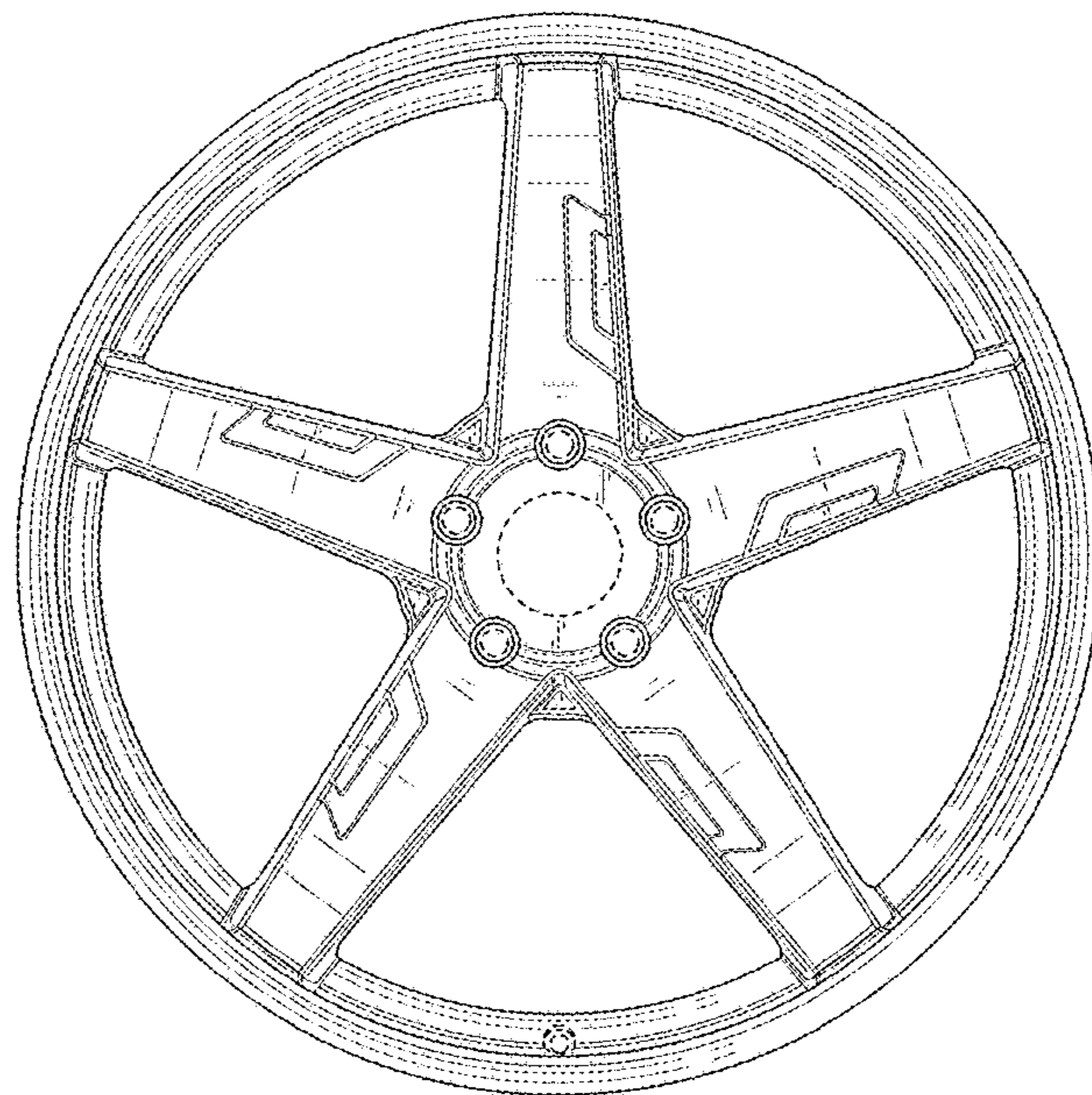
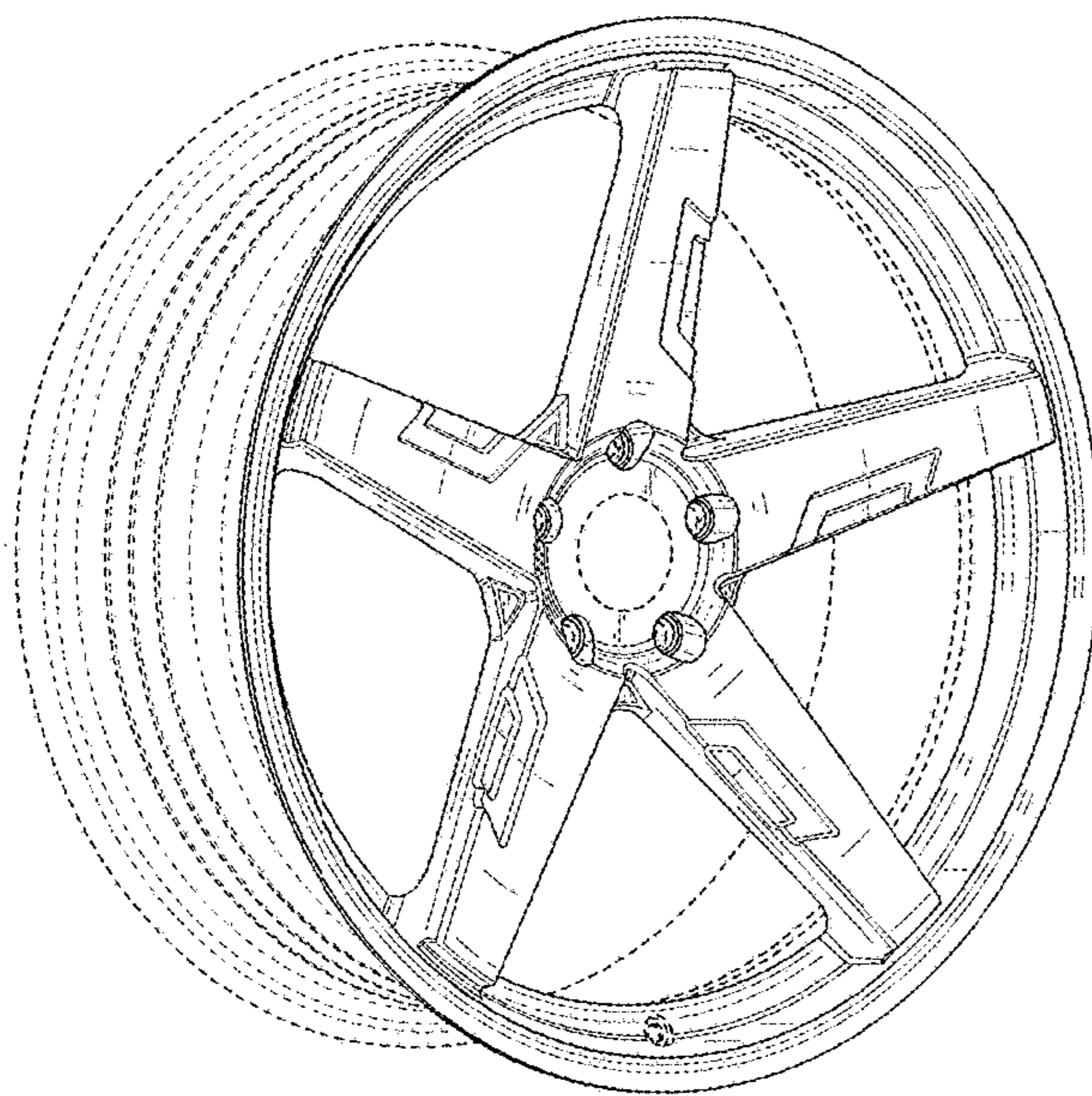
(57) **CLAIM**

I claim the ornamental design for a vehicle wheel, as shown and described.

**DESCRIPTION**

FIG. 1 is a front perspective view of the vehicle wheel showing my new design; and, FIG. 2 is a front view of the vehicle wheel of FIG. 1. In the drawings the broken lines depict portions of the wheel that form no part of the claimed design.

**1 Claim, 2 Drawing Sheets**



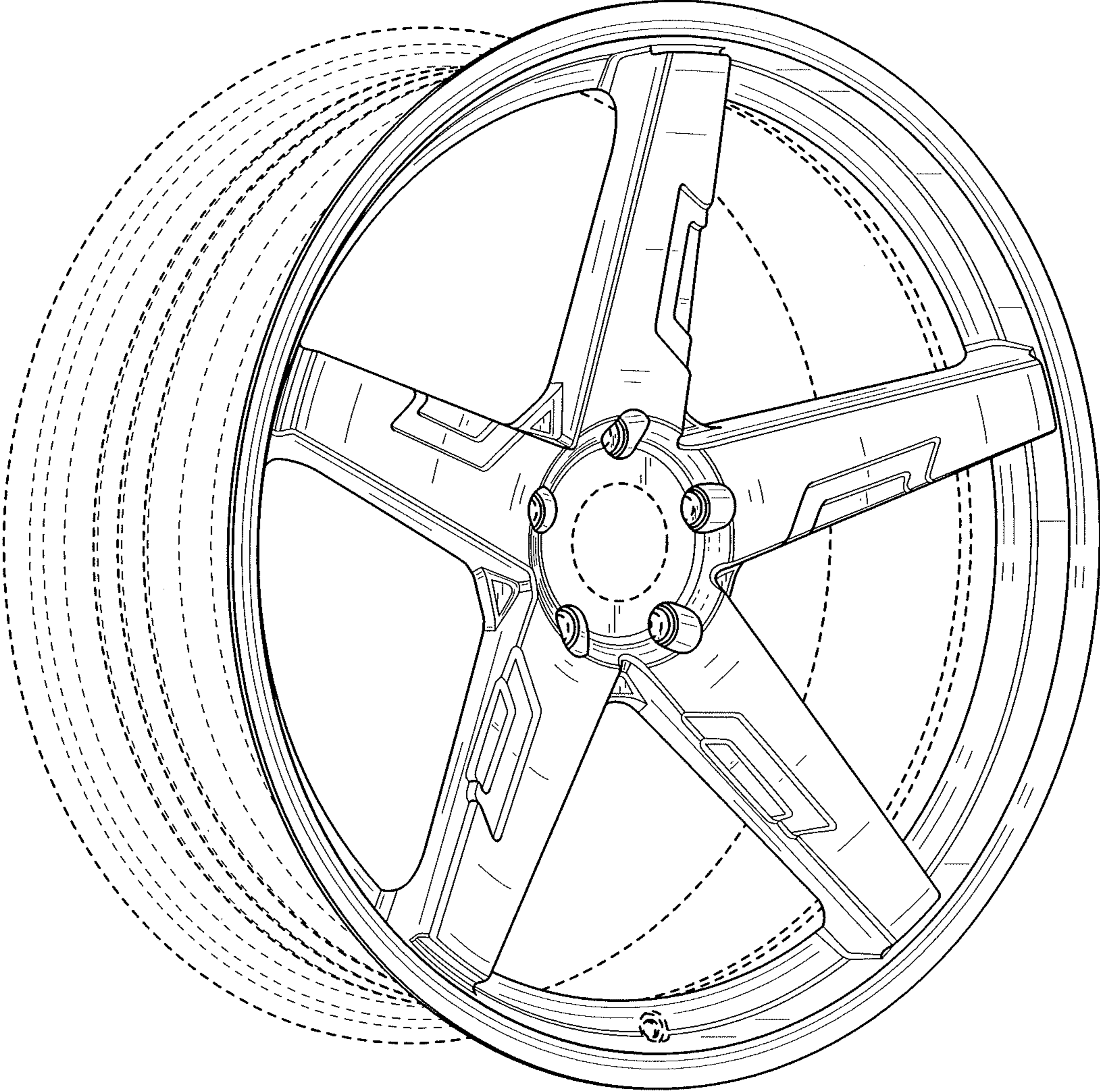


FIG. 1

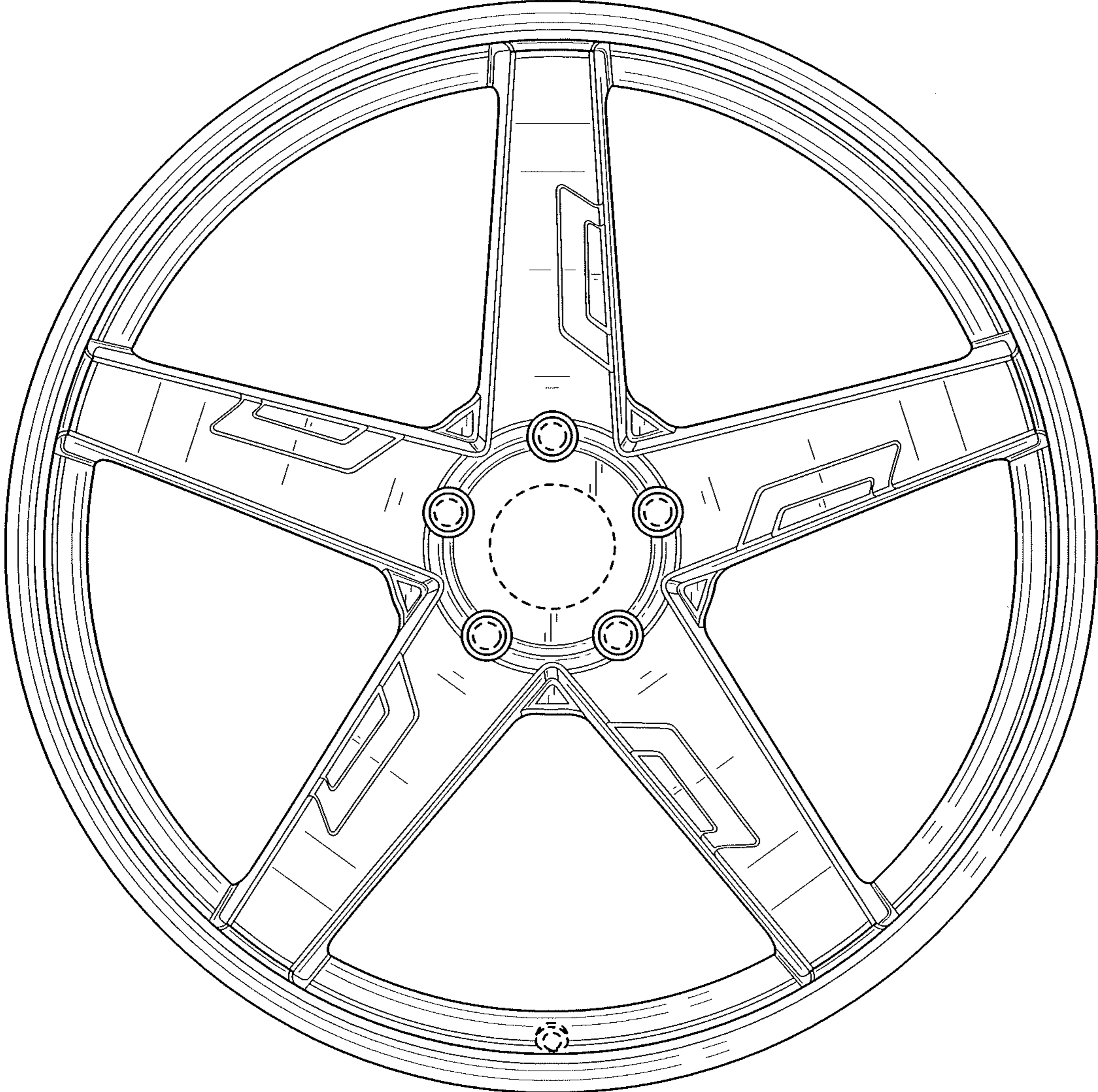


FIG. 2