



US00D944169S

(12) **United States Design Patent** (10) **Patent No.:** **US D944,169 S**  
**Diboine et al.** (45) **Date of Patent:** **\*\* Feb. 22, 2022**

(54) **DASHBOARD WITH STEERING WHEEL FOR AUTOMOBILE**

(71) Applicant: **LG ELECTRONICS INC.**, Seoul (KR)

(72) Inventors: **Romain Diboine**, Seoul (KR); **Inkoo Shim**, Seoul (KR); **Sangmin Park**, Seoul (KR)

(73) Assignee: **LG ELECTRONICS INC.**, Seoul (KR)

(\*\*) Term: **15 Years**

(21) Appl. No.: **35/510,028**

(22) Filed: **Feb. 6, 2020**

(80) **Hague Agreement Data**

Int. Filing Date: **Feb. 6, 2020**

Int. Reg. No.: **DM/207170**

Int. Reg. Date: **Feb. 6, 2020**

Int. Reg. Pub. Date: **Aug. 7, 2020**

(30) **Foreign Application Priority Data**

Aug. 29, 2019 (KR) ..... 30-2019-0041501

(51) **LOC (13) Cl.** ..... **12-11**

(52) **U.S. Cl.**  
USPC ..... **D12/192**

(58) **Field of Classification Search**

USPC ..... D12/110, 114, 192, 415; D10/46, 98, D10/102-103, 122-127; D15/17, 28

CPC ..... B60K 35/00; B60K 37/04; B60K 37/06; B60R 11/0235; B60R 11/0252

See application file for complete search history.

(56) **References Cited**

**U.S. PATENT DOCUMENTS**

D697,461 S \* 1/2014 Norman ..... D12/192

D697,462 S \* 1/2014 Yamazaki ..... D12/192

D704,609 S \* 5/2014 Nakauchi ..... D12/192  
D726,611 S \* 4/2015 Higashimori ..... D12/192  
D727,817 S \* 4/2015 Schroeder ..... D12/192  
D730,805 S \* 6/2015 Tran ..... D12/345  
D756,279 S \* 5/2016 Shouno ..... D12/192  
D761,709 S \* 7/2016 Shimizu ..... D12/192  
D770,348 S \* 11/2016 Shimizu ..... D12/192  
D817,832 S \* 5/2018 Maezono ..... D12/192  
D828,260 S \* 9/2018 Takagi ..... D12/192  
D837,117 S \* 1/2019 Manzoni ..... D12/192  
D844,516 S \* 4/2019 Yu ..... D12/192  
D847,055 S \* 4/2019 De Vienne ..... D12/192  
D853,919 S \* 7/2019 Hazumi ..... D12/192  
D893,373 S \* 8/2020 Selipanov ..... D12/192  
2016/0129871 A1 \* 5/2016 Knauf ..... B60K 35/00  
280/730.1  
2018/0032138 A1 \* 2/2018 Yasuoka ..... G06F 3/04886  
2018/0079284 A1 \* 3/2018 Choi ..... G02F 1/0121

\* cited by examiner

*Primary Examiner* — Darlington Ly

(74) *Attorney, Agent, or Firm* — Birch, Stewart, Kolasch & Birch, LLP

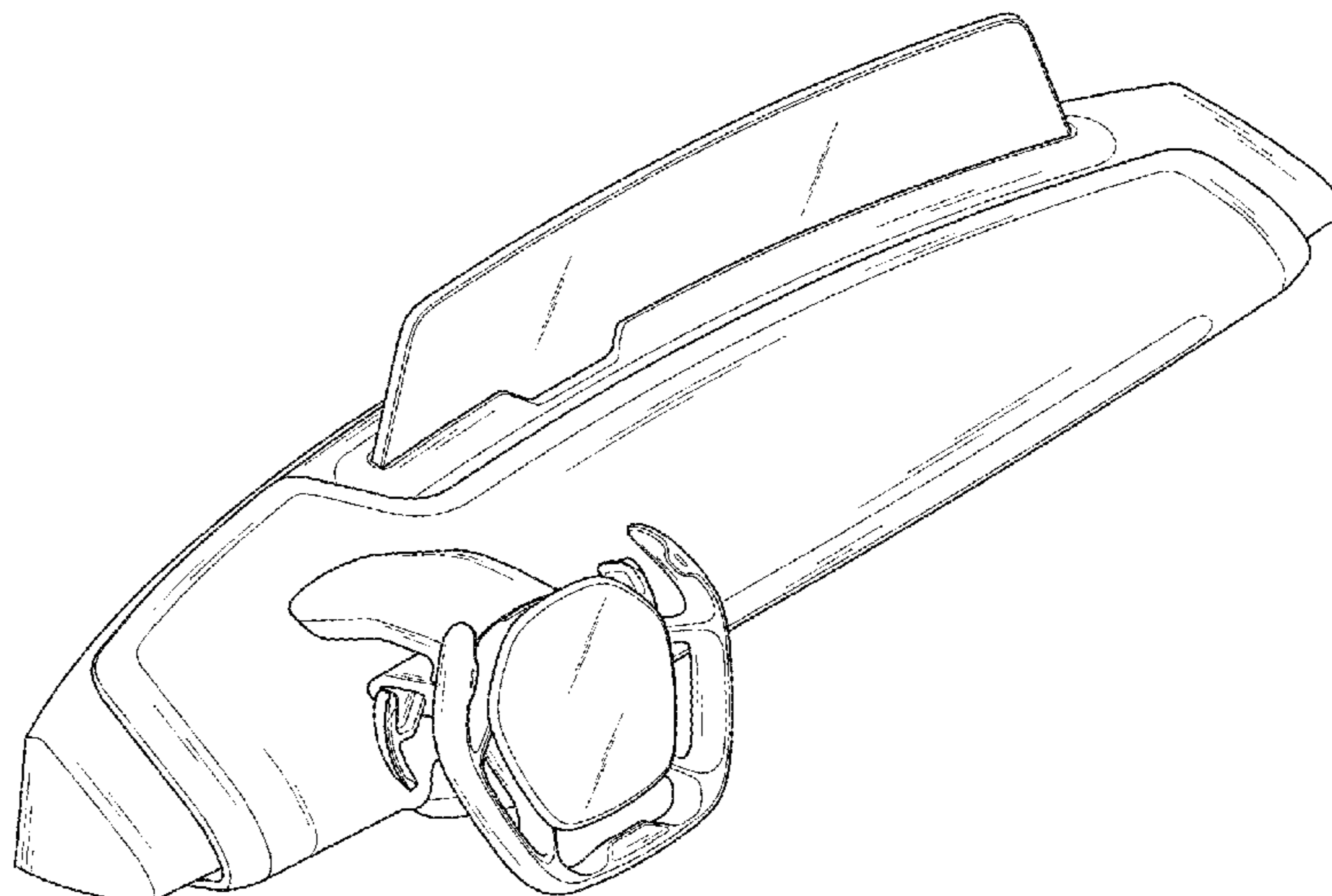
(57) **CLAIM**

The ornamental design for a dashboard with steering wheel for automobile, as shown and described.

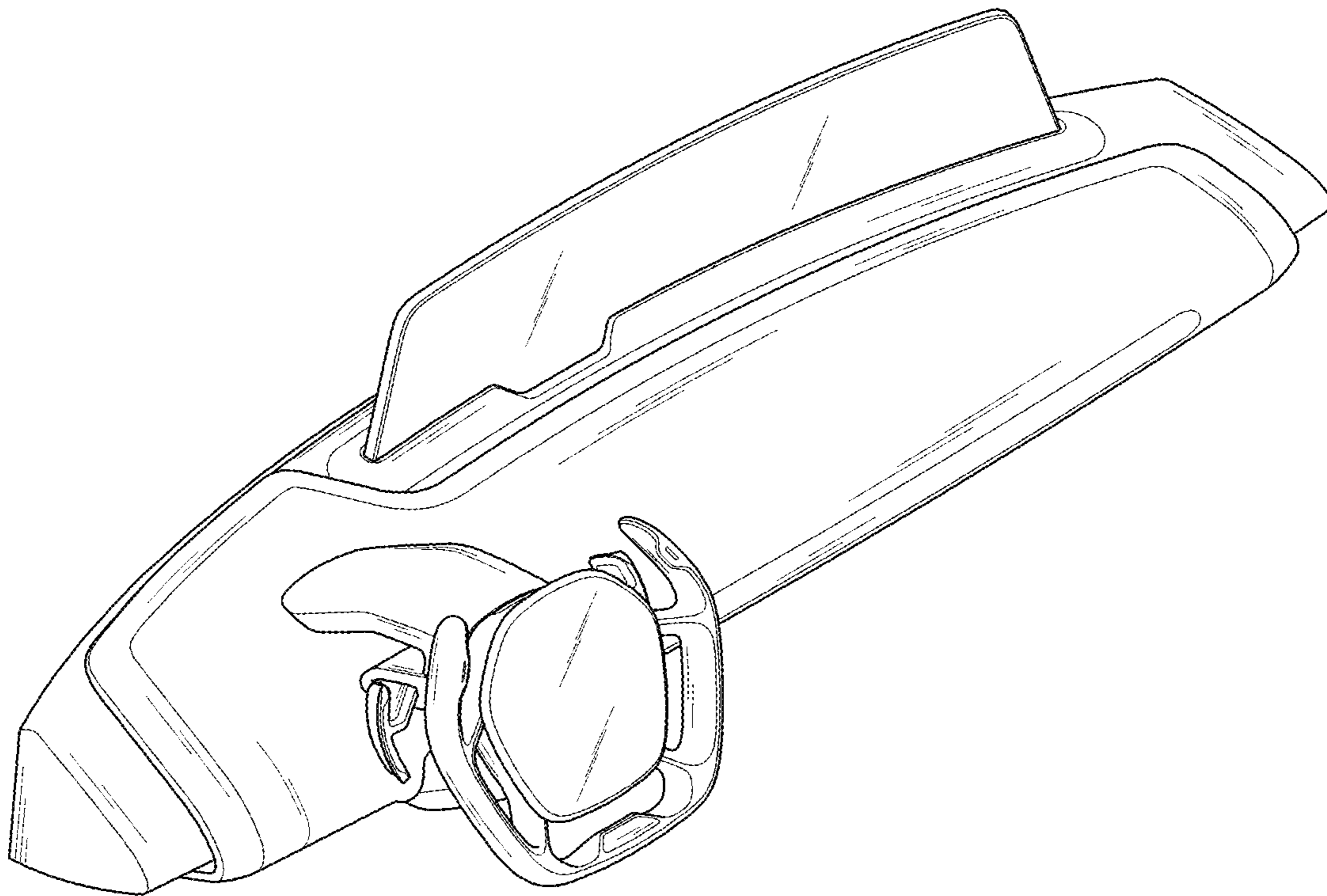
**DESCRIPTION**

- 1. Dashboard with steering wheel for automobile
- 1.1 is a perspective view of a dashboard with steering wheel for automobile embodying our new design;
- 1.2 is a front elevation view thereof;
- 1.3 is a rear elevation view thereof;
- 1.4 is a left side elevation view thereof;
- 1.5 is a right side elevation view thereof;
- 1.6 is a top plan view thereof; and
- 1.7 is a bottom plan view thereof.

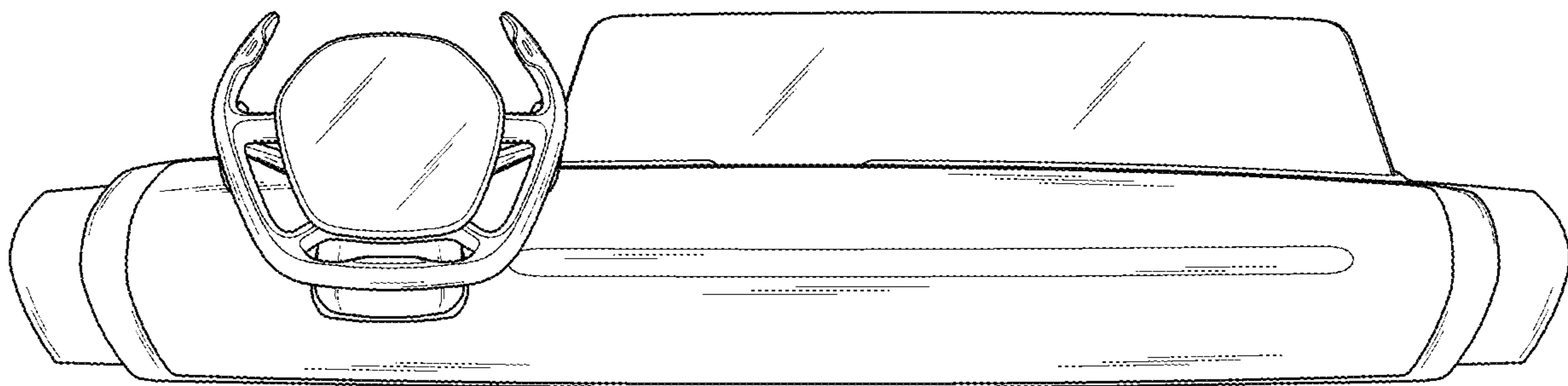
**1 Claim, 7 Drawing Sheets**



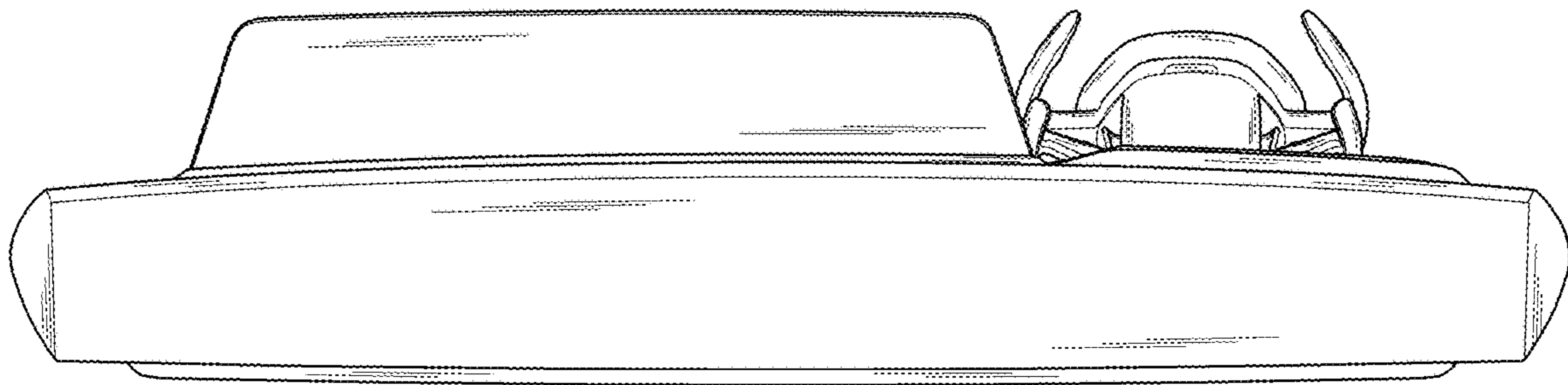
1.1



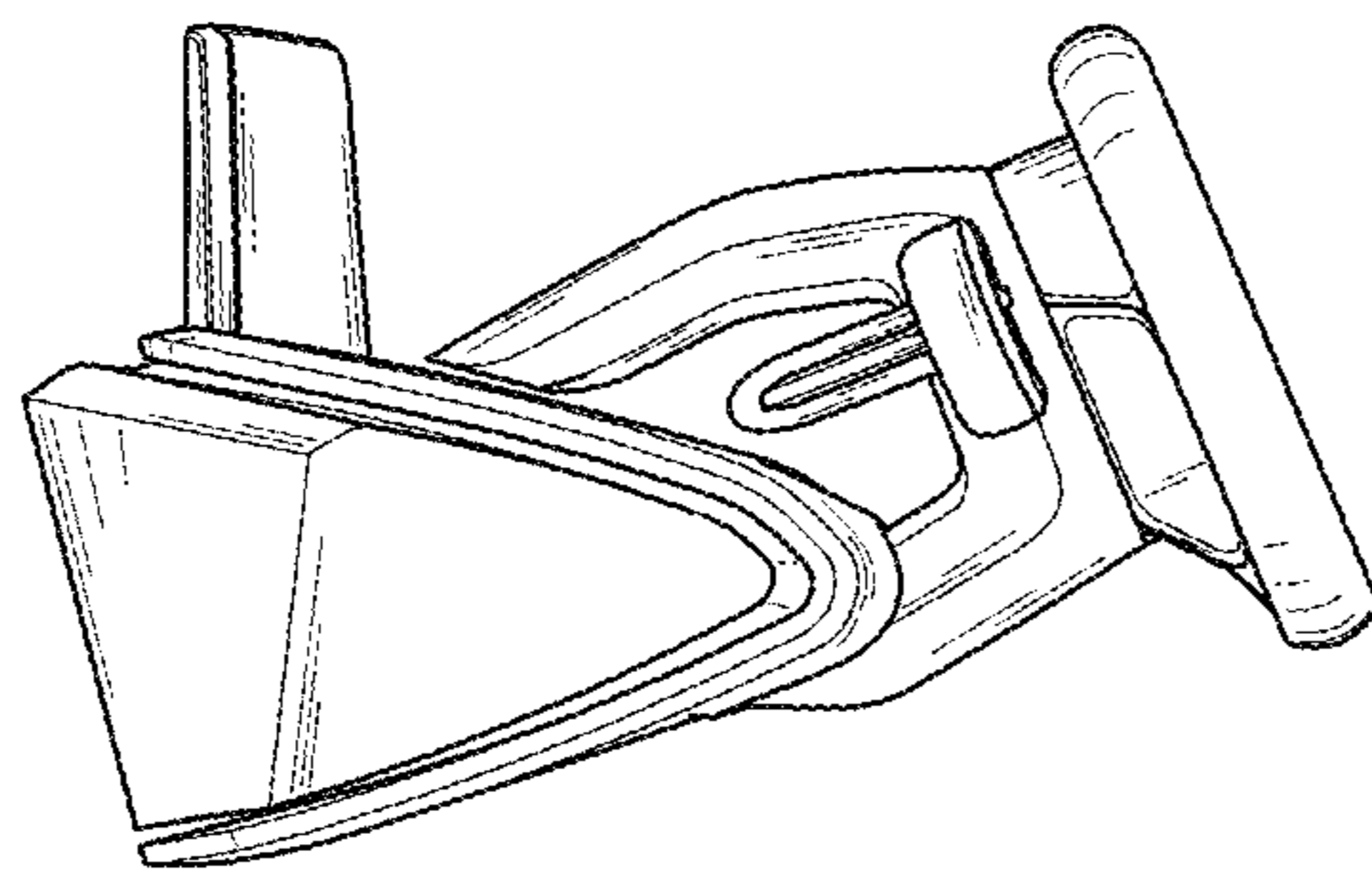
1.2



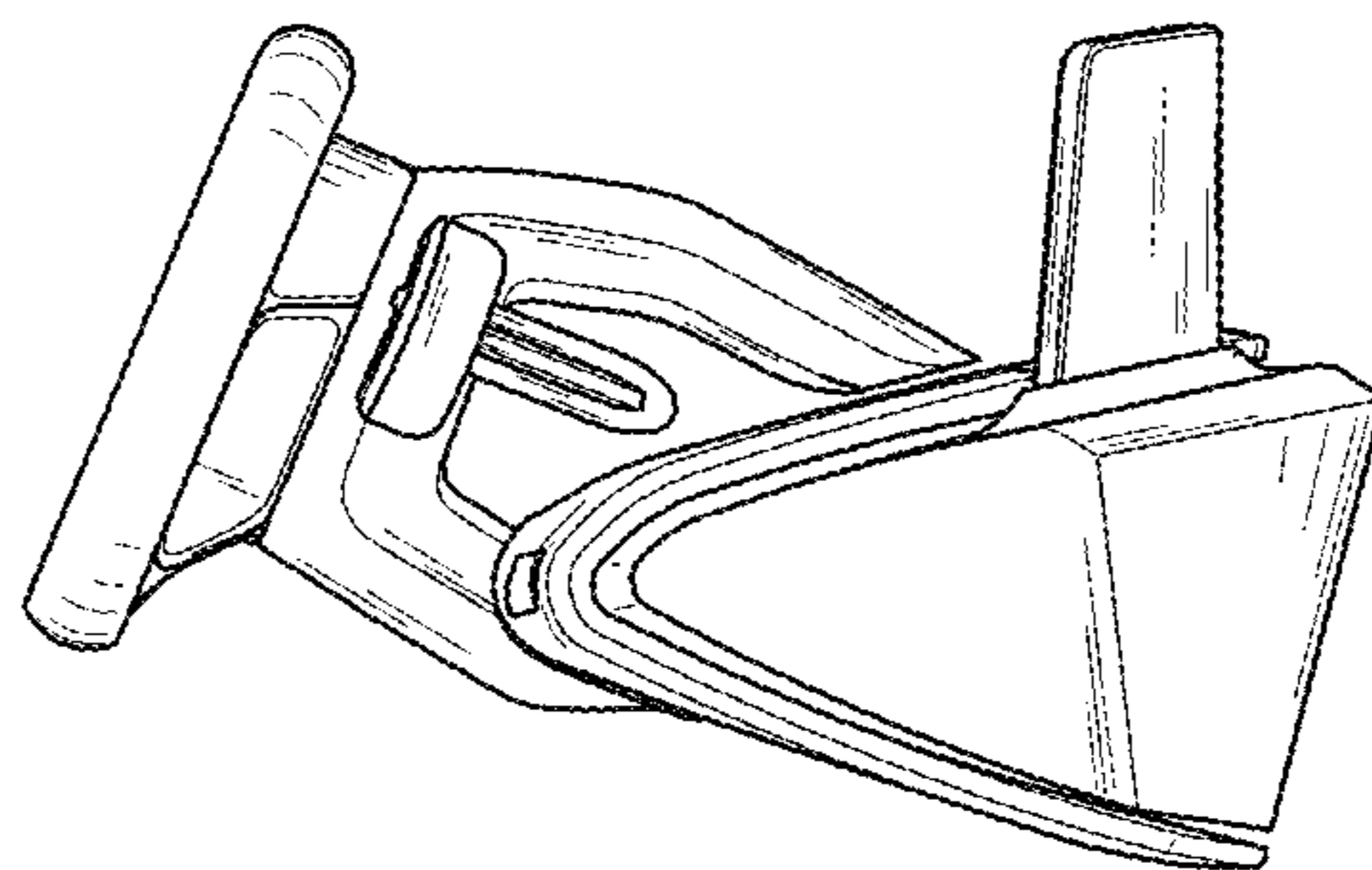
1.3



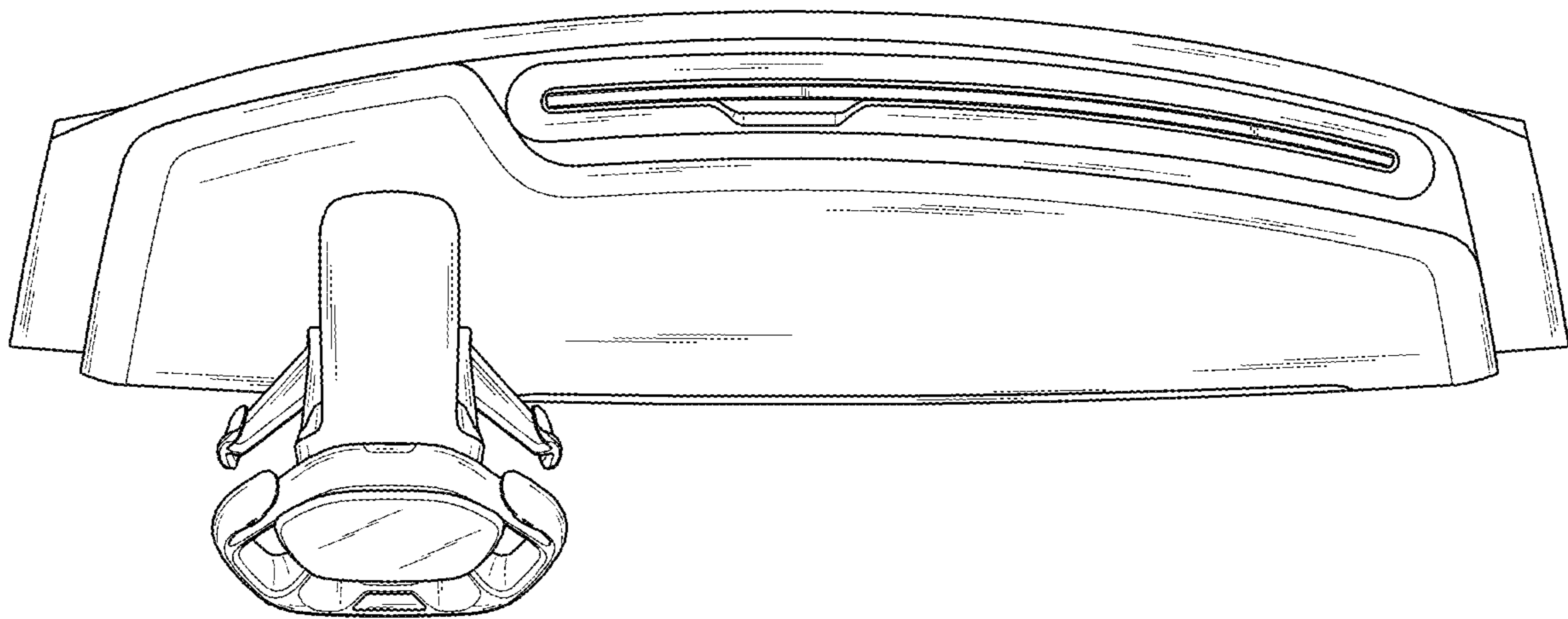
1.4



1.5



1.6



1.7

