

US00D944168S

(12) **United States Design Patent** (10) **Patent No.:** **US D944,168 S**
Dubs et al. (45) **Date of Patent:** **** Feb. 22, 2022**

(54) **DISPLAY**
(71) Applicant: **Gentex Corporation**, Zeeland, MI (US)
(72) Inventors: **Bradley T. Dubs**, Grand Haven, MI (US); **Andrew D. Weller**, Holland, MI (US); **Adam R. Heintzelman**, Grand Rapids, MI (US); **Nigel T. Lock**, Holland, MI (US)
(73) Assignee: **GENTEX CORPORATION**, Zeeland, MI (US)
(**) Term: **15 Years**
(21) Appl. No.: **29/719,568**
(22) Filed: **Jan. 6, 2020**
(51) **LOC (13) Cl.** **12-16**
(52) **U.S. Cl.**
USPC **D12/190**
(58) **Field of Classification Search**
USPC ... D12/190, 181, 192, 400, 90-92, 196-200, D12/171, 172, 163, 110, 114
CPC B60S 9/205; B60R 13/005; B60R 13/02
See application file for complete search history.

D873,192 S * 1/2020 Smith D12/190
D874,368 S * 2/2020 Smith D12/190
D876,301 S * 2/2020 Setina D12/190
D878,265 S * 3/2020 Bentzen D12/190
D886,698 S * 6/2020 Goodrich D12/190
D902,815 S * 11/2020 Wheel D12/190
D906,914 S * 1/2021 Duncan D12/190
2017/0066481 A1 3/2017 Bodin
2017/0251092 A1 8/2017 Elie et al.

FOREIGN PATENT DOCUMENTS

JP 5380458 B2 1/2014
* cited by examiner

Primary Examiner — Katrina A Betton
(74) *Attorney, Agent, or Firm* — Price Heneveld LLP; Brian James Brewer

(57) **CLAIM**

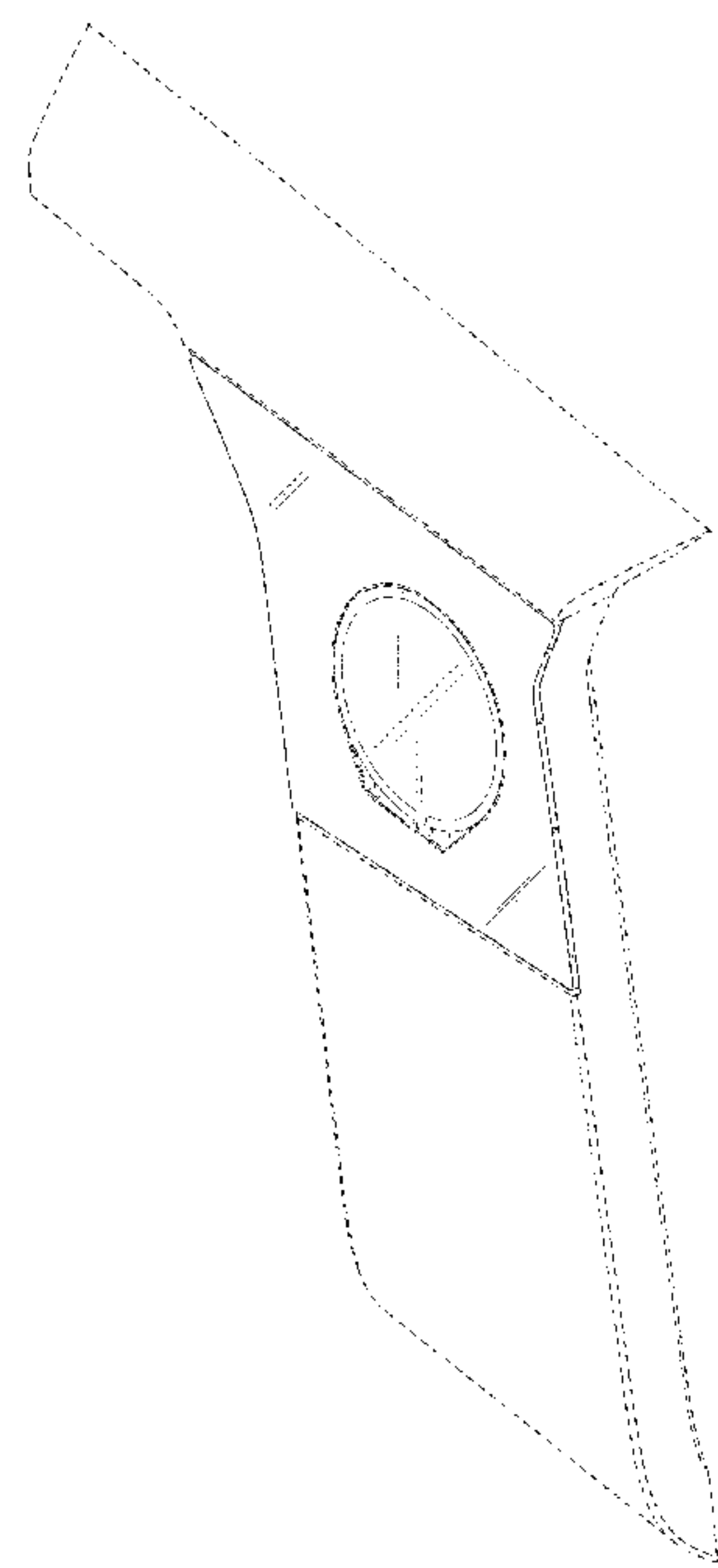
We claim the ornamental design for a display, as shown and described herein.

DESCRIPTION

FIG. 1 is a front perspective view of a display of the present disclosure;
FIG. 2 is a rear perspective view of the display of FIG. 1;
FIG. 3 is a front elevational view of the display of FIG. 1;
FIG. 4 is a rear elevational view of the display of FIG. 1;
FIG. 5 is a first side elevational view of the display of FIG. 1;
FIG. 6 is a second side elevational view of the display of FIG. 1;
FIG. 7 is a top elevational view of the display of FIG. 1; and,
FIG. 8 is a bottom elevational view of the display of FIG. 1.
The broken lines depict portions of the article that form no part of the claimed design.

1 Claim, 6 Drawing Sheets

(56) **References Cited**
U.S. PATENT DOCUMENTS
1,949,581 A * 3/1934 Place E05F 1/1215
49/398
6,409,256 B1 6/2002 Page
9,085,323 B2 7/2015 Busch et al.
10,040,488 B2 8/2018 Atzmüller et al.
D855,525 S * 8/2019 Schwartz D12/190
D856,234 S * 8/2019 Piscopo D12/190
D873,189 S * 1/2020 Battams D12/190
D873,190 S * 1/2020 Battams D12/190



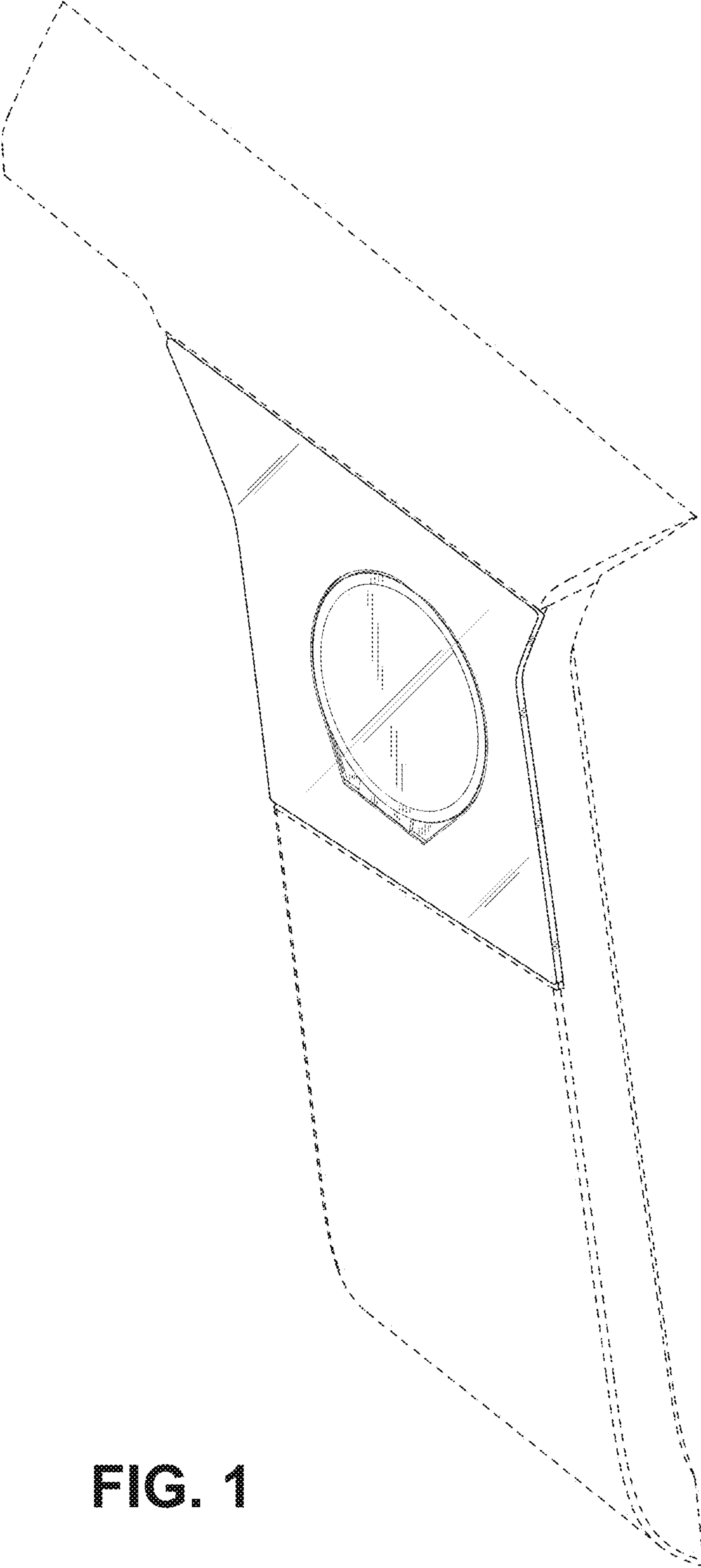


FIG. 1

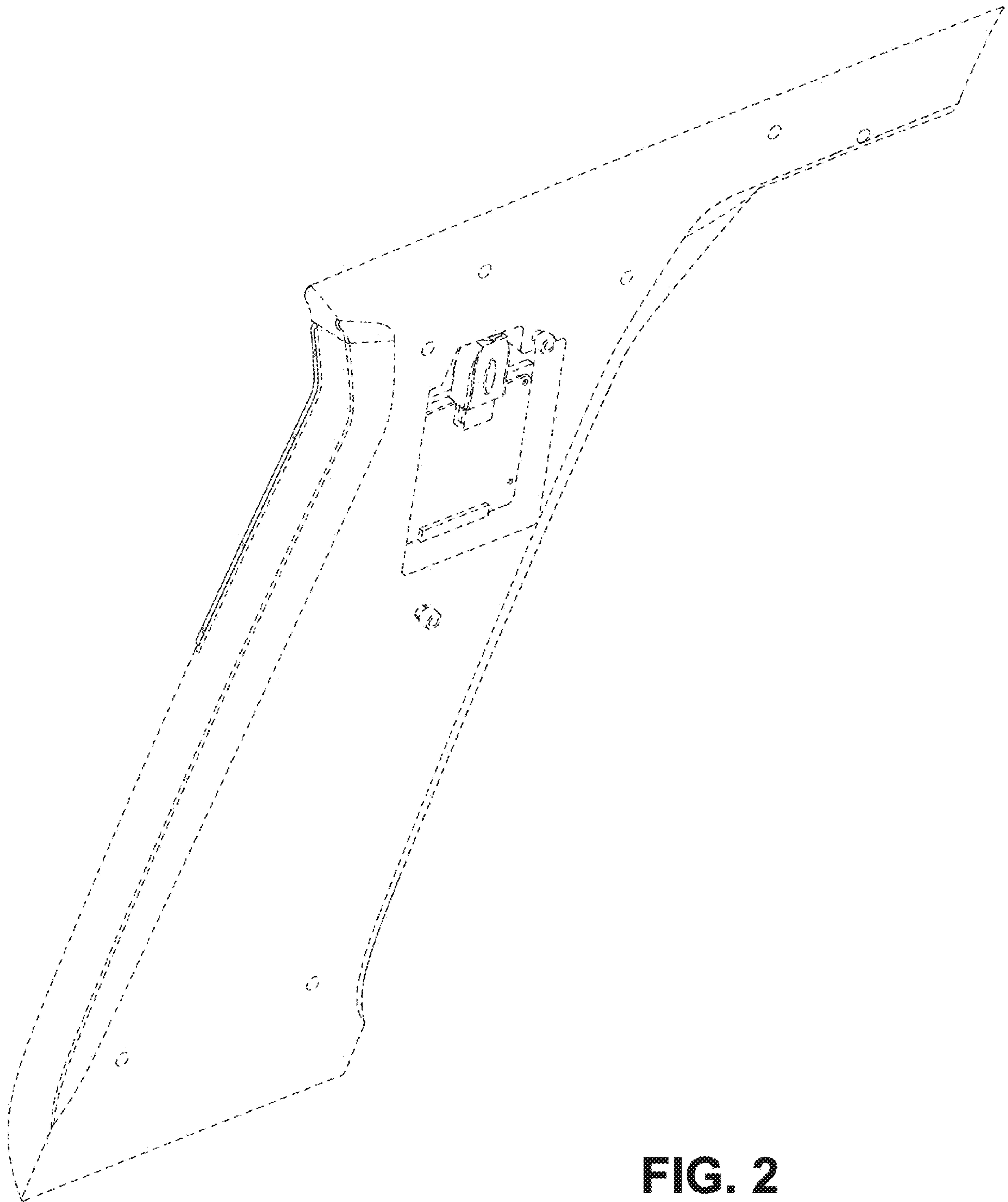


FIG. 2

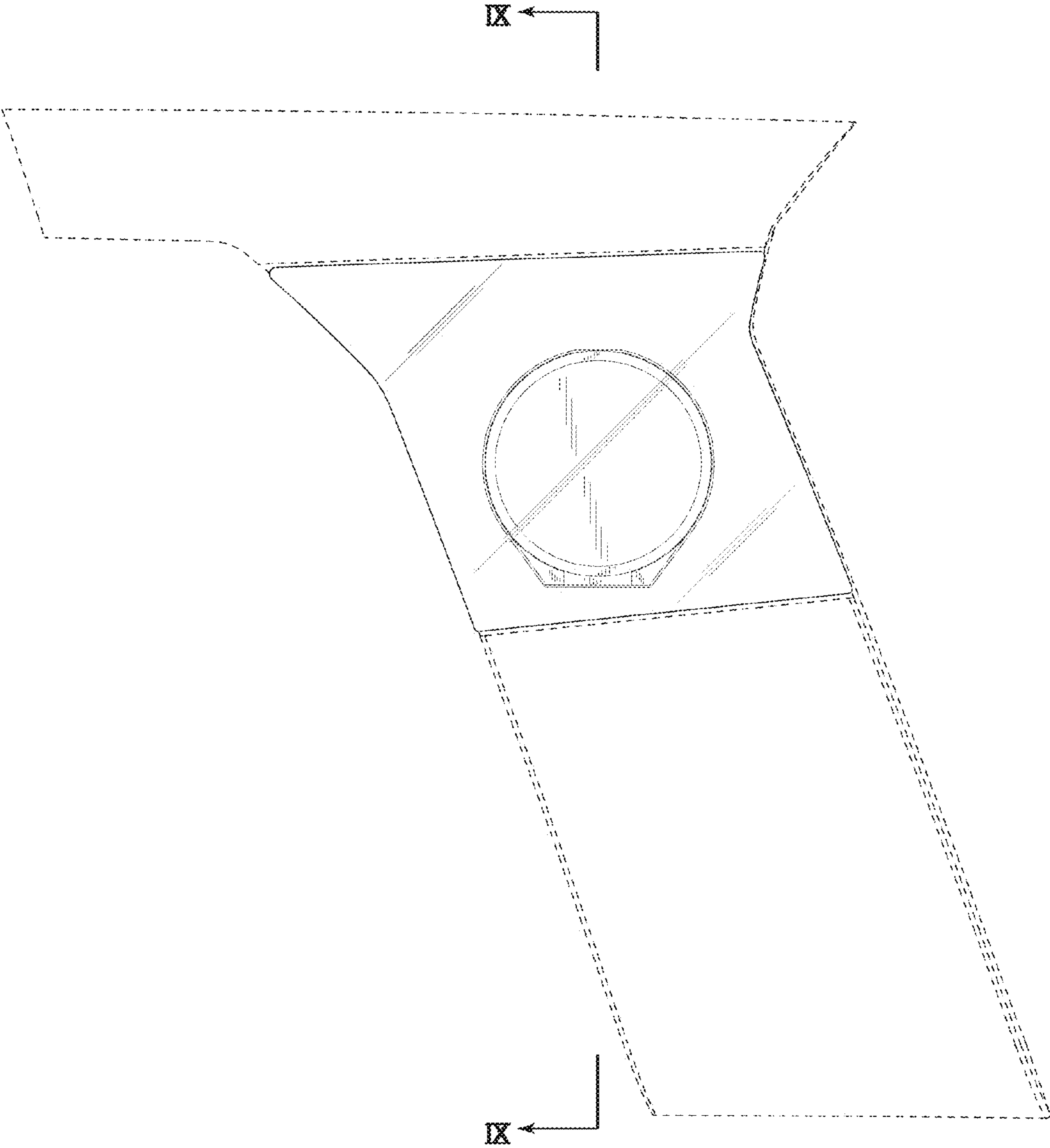


FIG. 3

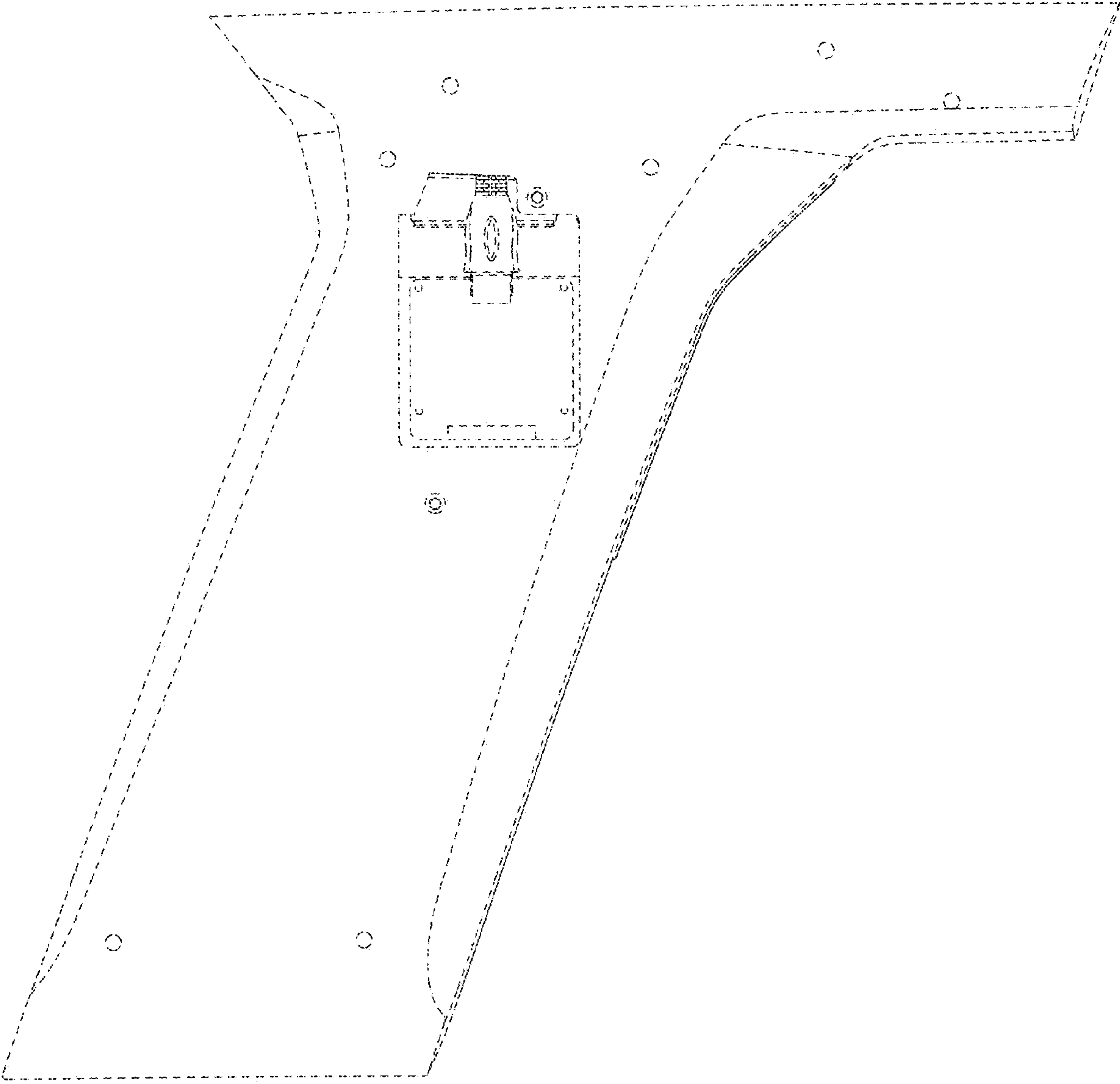


FIG. 4

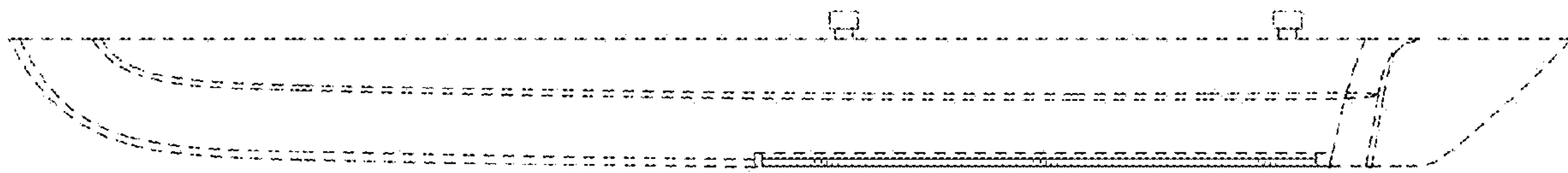


FIG. 5

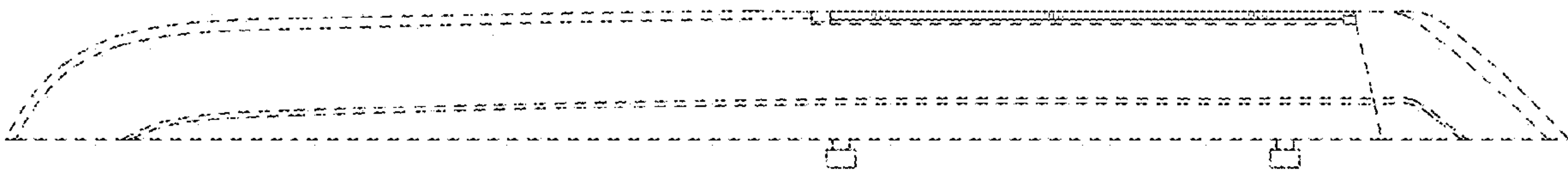


FIG. 6

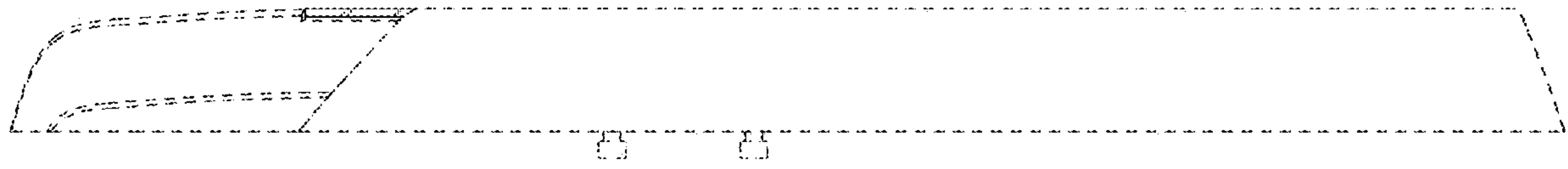


FIG. 7

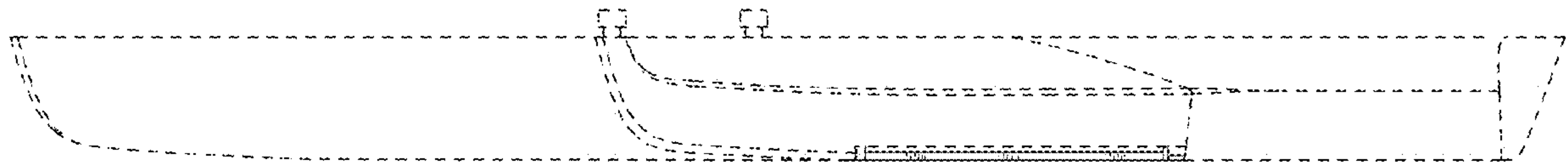


FIG. 8