



US00D944167S

(12) **United States Design Patent**
Kim et al.

(10) **Patent No.:** **US D944,167 S**

(45) **Date of Patent:** **** Feb. 22, 2022**

(54) **IN-VEHICLE ACCESSORY ATTACHMENT BOARD**

(71) Applicant: **Canoo Technologies Inc.**, Torrance, CA (US)

(72) Inventors: **Richard Kim**, Los Angeles, CA (US); **Taeho Kim**, South Pasadena, CA (US); **Arthur Henrique Martins**, Los Angeles, CA (US); **Cameron Bresn**, Redondo Beach, CA (US); **Ji-Nam Lee**, Cypress, CA (US)

(73) Assignee: **Canoo Technologies Inc.**, Torrance, CA (US)

(**) Term: **15 Years**

(21) Appl. No.: **29/706,598**

(22) Filed: **Sep. 20, 2019**

(51) **LOC (13) Cl.** **12-08**

(52) **U.S. Cl.**
USPC **D12/190**

(58) **Field of Classification Search**
USPC ... D12/190, 195, 400, 411, 414, 414.1, 415, D12/419, 420, 424, 426; D6/553, 561, D6/566, 571, 572; 211/87.01, 90.04; 248/220.31; D8/21-28; D25/58, 138, D25/153, 156, 152, 155
CPC .. A47K 1/09; F16B 2/06; F16B 21/02; F16M 13/02; F16M 11/041
See application file for complete search history.

(56) **References Cited**

U.S. PATENT DOCUMENTS

- 2,513,239 A * 6/1950 Hatchett G09F 7/08 40/124.4
- 3,014,597 A * 12/1961 McWherter A47F 5/0815 211/175
- D226,457 S * 3/1973 Wilson D3/304

- D263,428 S * 3/1982 Bartscher D25/156
- D271,721 S * 12/1983 Howitt D3/304
- D302,019 S * 7/1989 Dehlen D15/147
- D336,349 S * 6/1993 Moreau D25/156
- D355,636 S * 2/1995 Dickerson D12/419
- D366,400 S * 1/1996 Dentsbier D12/317

(Continued)

OTHER PUBLICATIONS

Canoo takes the covers off of its debut electric vehicle, TechCrunch.com, Jonathan Shieber, 10:01 pm EDT, Sep. 24, 2019, [online], [site visited Oct. 13, 2020]. <URL: https://techcrunch.com/2019/09/24/canoo-takes-the-covers-off-of-its-debut-electric-vehicle/?utm_source=feedburner&utm_medium=> (Year: 2019).*

(Continued)

Primary Examiner — Jonathan J Han

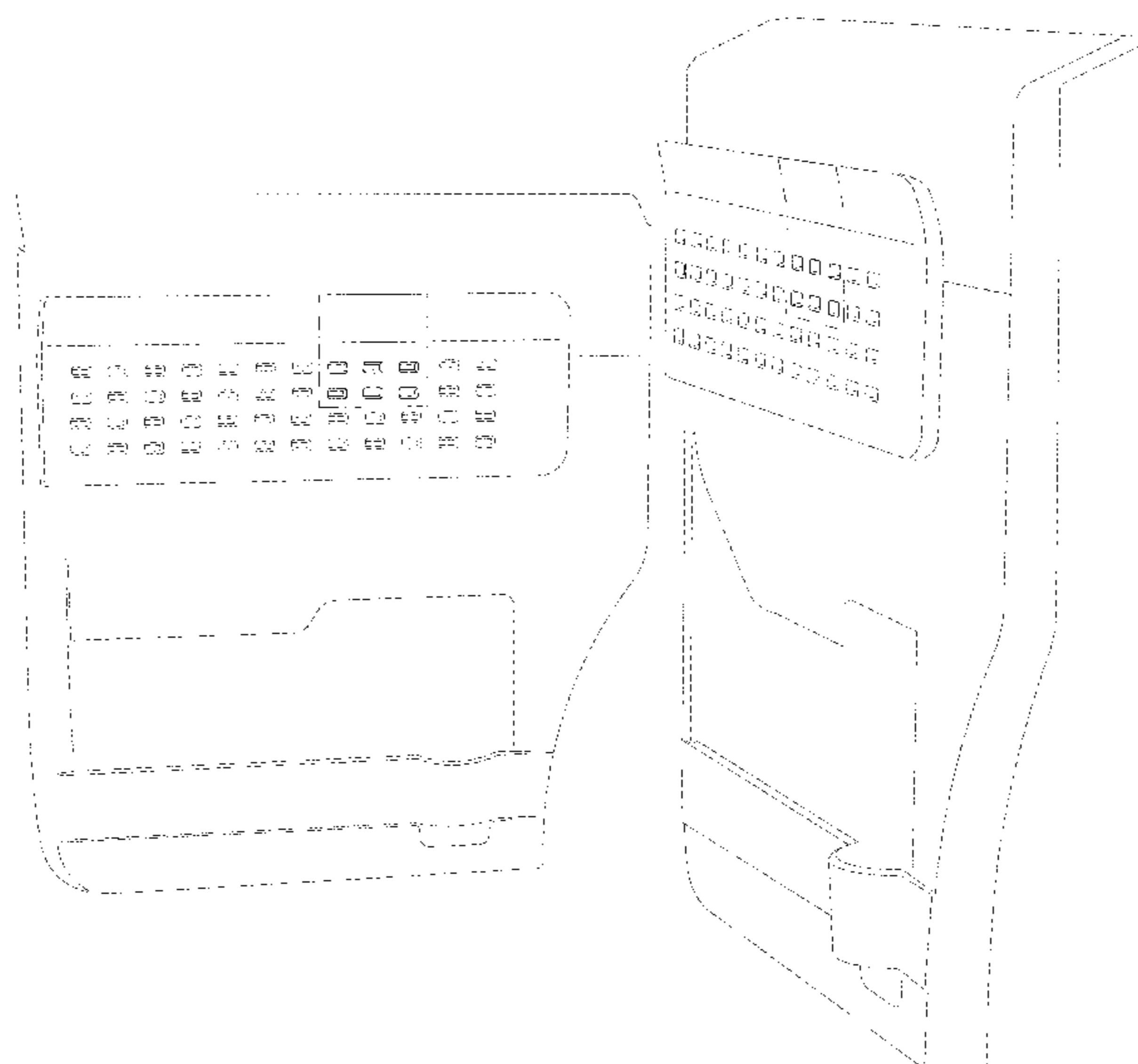
(57) **CLAIM**

The ornamental design for an in-vehicle accessory attachment board, as shown and described.

DESCRIPTION

FIG. 1 is a front view of an in-vehicle accessory attachment board;
FIG. 2 is a front perspective view of the in-vehicle accessory attachment board of FIG. 1;
FIG. 3 is a side perspective view of the in-vehicle accessory attachment board of FIG. 1;
FIG. 4 is a top perspective view of the in-vehicle accessory attachment board of FIG. 1;
FIG. 5 is another side perspective view of the in-vehicle accessory attachment board of FIGS. 1; and
FIG. 6 is a bottom perspective view of the in-vehicle accessory attachment board of FIG. 1.
The dashed broken lines show environment and form no part of the claimed design. The dot-dash broken lines illustrate the boundaries of the claimed design and form no part of the claimed design.

1 Claim, 6 Drawing Sheets



(56)

References Cited

U.S. PATENT DOCUMENTS

5,490,650 A * 2/1996 Pendergrass A47F 5/0823
248/220.31
D367,972 S * 3/1996 Valls D25/156
D367,973 S * 3/1996 Valls D3/304
5,556,068 A * 9/1996 Gorelik A47F 5/0823
248/214
5,855,274 A * 1/1999 Piao B25H 3/02
206/373
6,019,328 A * 2/2000 Allen A47F 5/0823
248/220.31
D446,414 S * 8/2001 Schafer D6/553
D455,221 S * 4/2002 Smith D25/152
D491,287 S * 6/2004 Winig D25/152
D495,067 S * 8/2004 Winig D25/138
D498,634 S * 11/2004 Winig D6/571
D512,254 S * 12/2005 Ottens D6/553
7,353,957 B2 * 4/2008 Winig A47F 5/0815
211/59.1
D573,828 S * 7/2008 Clokey D6/553
D597,653 S * 8/2009 Calkins D23/388
7,845,501 B1 * 12/2010 Fosburg B25H 3/04
211/103
7,963,621 B1 * 6/2011 Ellis B25H 3/04
312/242
D678,701 S * 3/2013 Hansen D6/561
D687,524 S * 8/2013 Heiser D23/261
8,646,196 B2 * 2/2014 Glass, Jr. G09F 15/0056
40/607.03
D721,795 S * 1/2015 Bernoti D23/260
D799,239 S * 10/2017 Wall D6/553
9,807,993 B2 * 11/2017 Montoya A47F 5/0823
D838,501 S * 1/2019 Kim D5/62
D840,715 S * 2/2019 Lowenhielm D6/553
D843,607 S * 3/2019 Schneider D25/152
10,405,675 B1 * 9/2019 Yu A47F 5/0823
D863,815 S * 10/2019 Lowenhielm D6/553
D867,017 S * 11/2019 Altizer D6/553
2003/0057336 A1 * 3/2003 Hochman A47F 5/0823
248/220.21

2005/0242047 A1 * 11/2005 Winig A47F 5/0815
211/59.1
2007/0290107 A1 * 12/2007 Lang A47F 5/0815
248/220.31
2009/0014602 A1 * 1/2009 Frost B60R 7/08
248/100
2009/0146032 A1 * 6/2009 Bettenhausen A61B 50/30
248/220.31
2010/0051769 A1 * 3/2010 Tyson A47F 5/0807
248/220.31
2010/0084528 A1 * 4/2010 Thiel A47B 96/068
248/220.41
2010/0187154 A1 * 7/2010 Angelocci B65D 73/0064
206/736
2011/0259772 A1 * 10/2011 Forsyth H01L 21/67333
206/320
2012/0217360 A1 * 8/2012 Fanning, Jr. G09F 5/042
248/220.31
2012/0241397 A1 * 9/2012 Strollo A47B 81/00
211/71.01
2013/0107413 A1 * 5/2013 Moore H01R 31/02
361/102
2015/0189977 A1 * 7/2015 Thompson A45F 5/02
24/3.7
2016/0227943 A1 * 8/2016 Russo A47F 5/02

OTHER PUBLICATIONS

We Are Canoo, YouTube.com, Canoo, Sep. 24, 2019, [online], [site visited Oct. 13, 2020]. <URL: https://www.youtube.com/watch?v=iGy_G0L9moE> (Year: 2019).*

Triton Products LocBoard LBS-2S Steel Square Hole Pegboard Strip, 31.5"x9", Silver, Amazon.com, Date First Available: Jun. 4, 2015, [online], [site visited Oct. 13, 2020]. <URL: <https://www.amazon.com/LocBoard-LBS-2S-Square-Pegboard-Silver/dp/B0107R5OX8>> (Year: 2015).*

Pegboard collection square hole wall hooks, Thingiverse.com, by TFKKillermatrix, Feb. 25, 2018, [online], [site visited Oct. 13, 2020]. <URL: <https://www.thingiverse.com/thing:2806391>> (Year: 2018).*

* cited by examiner

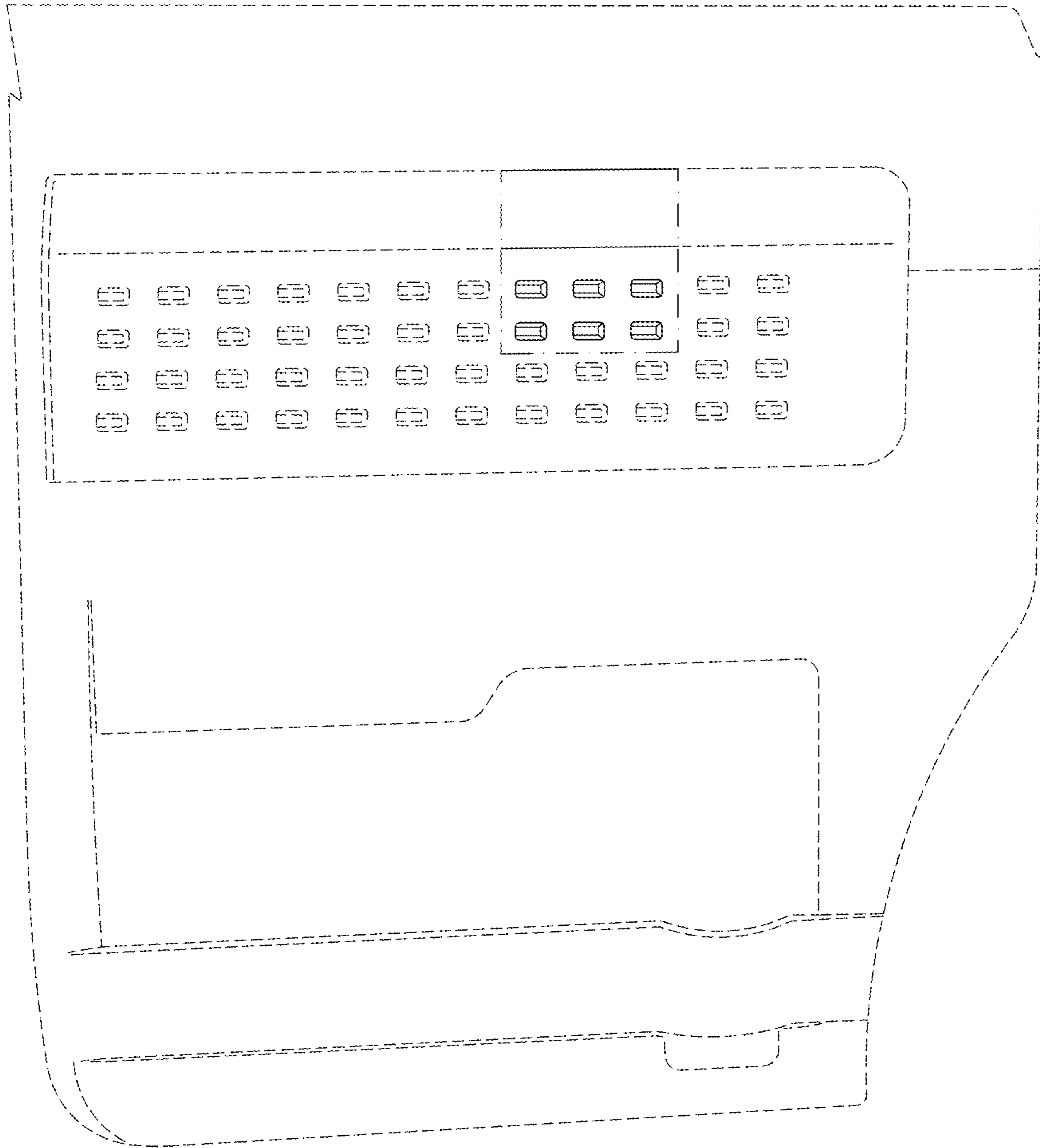


FIG. 1

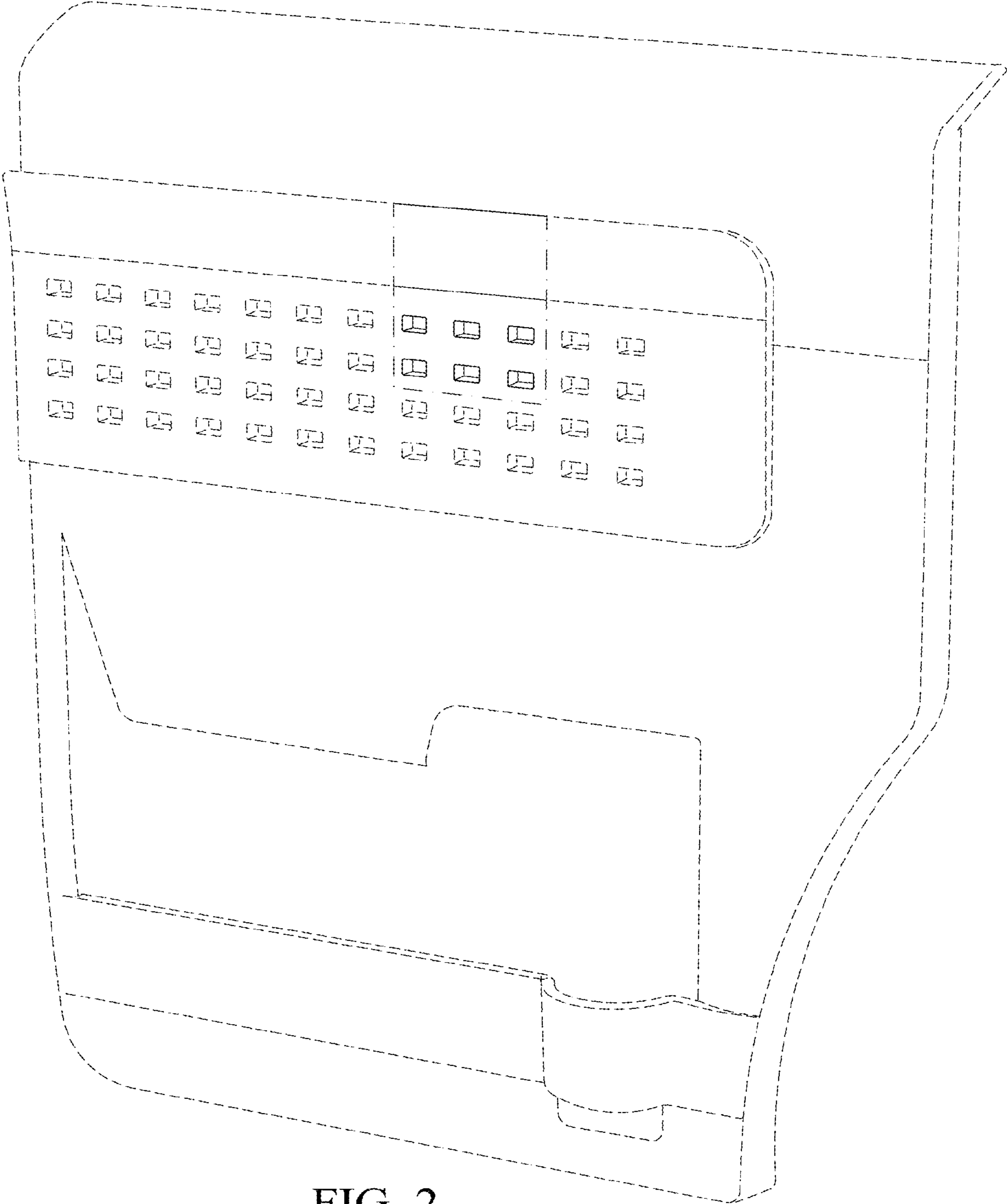


FIG. 2

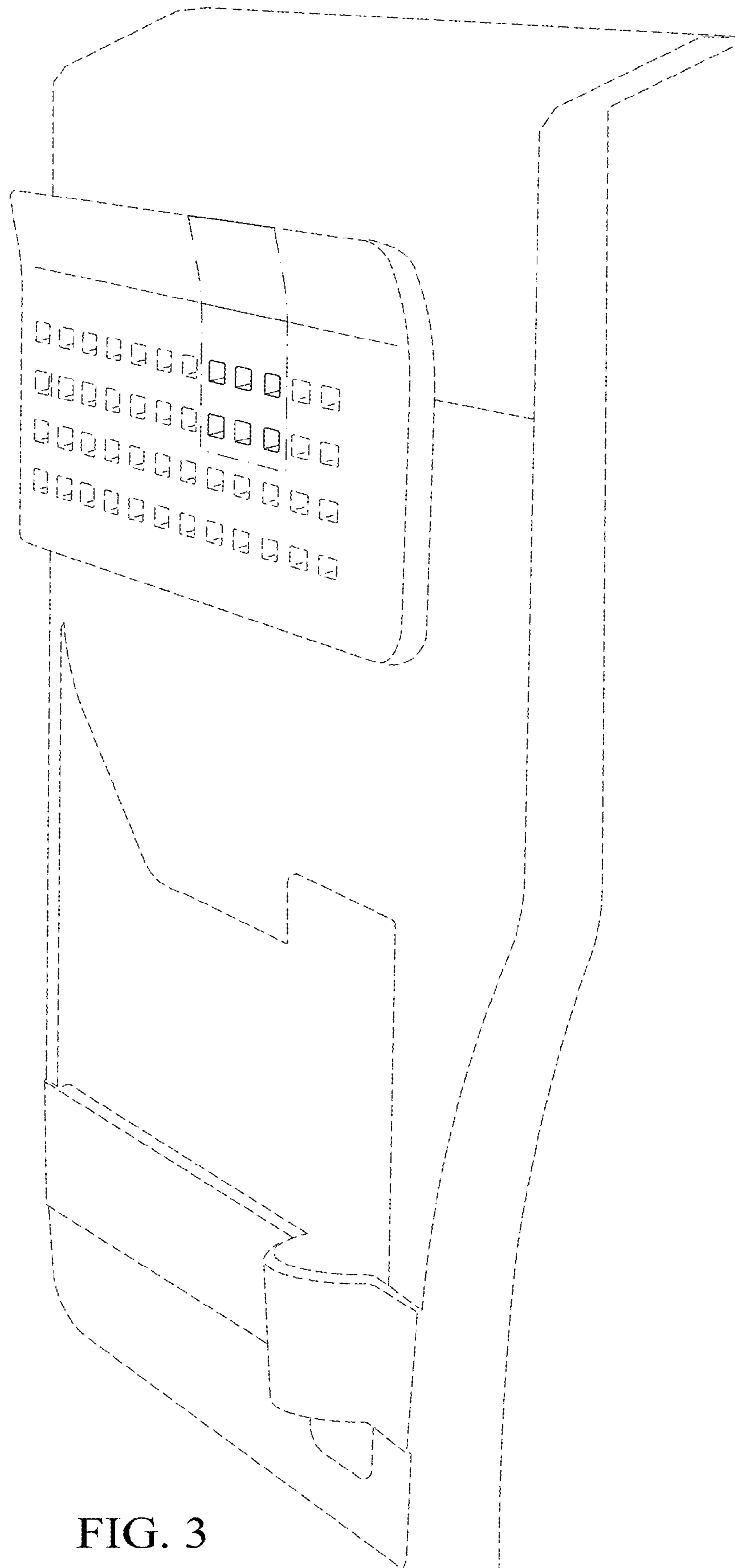


FIG. 3

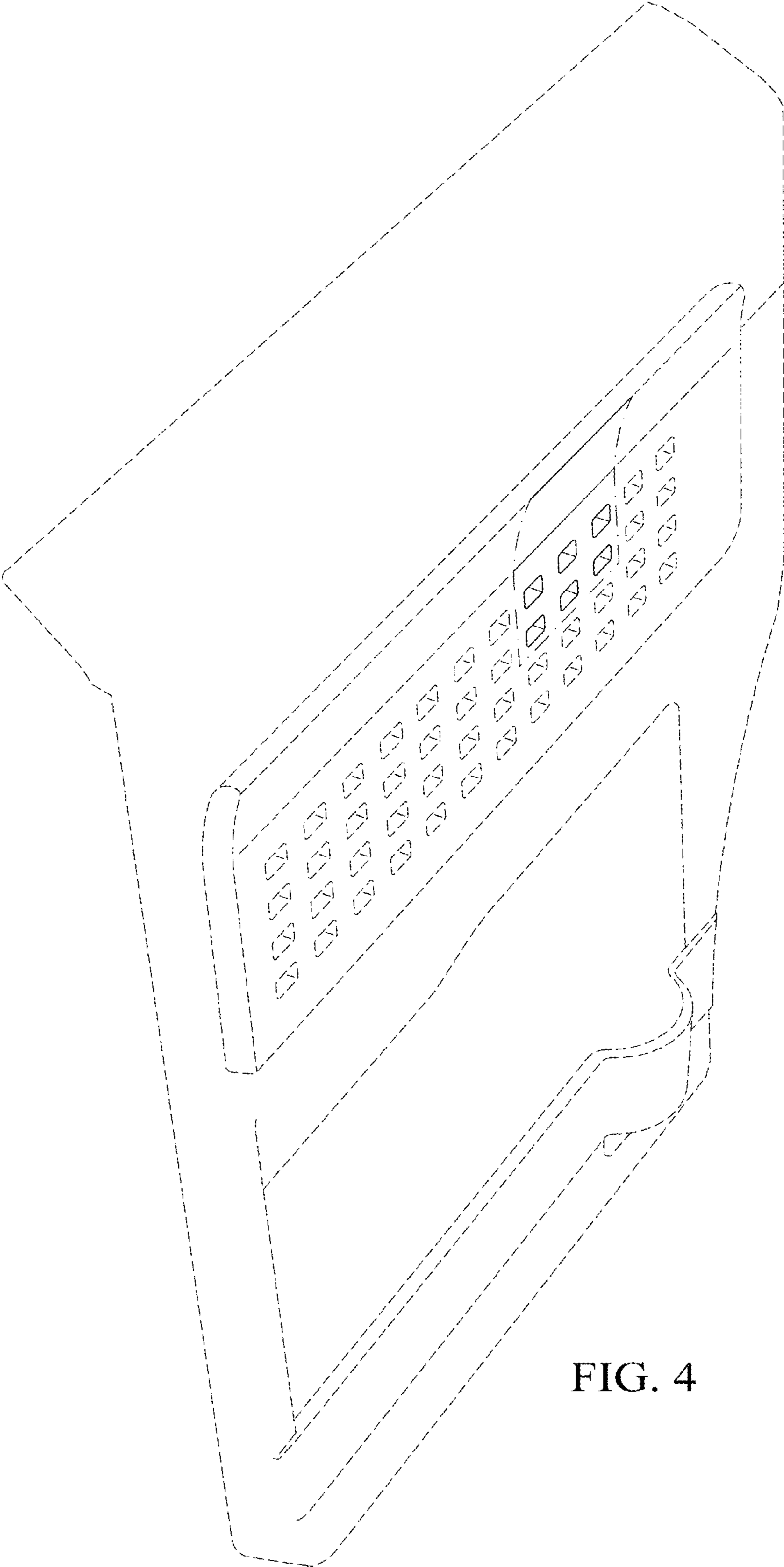


FIG. 4

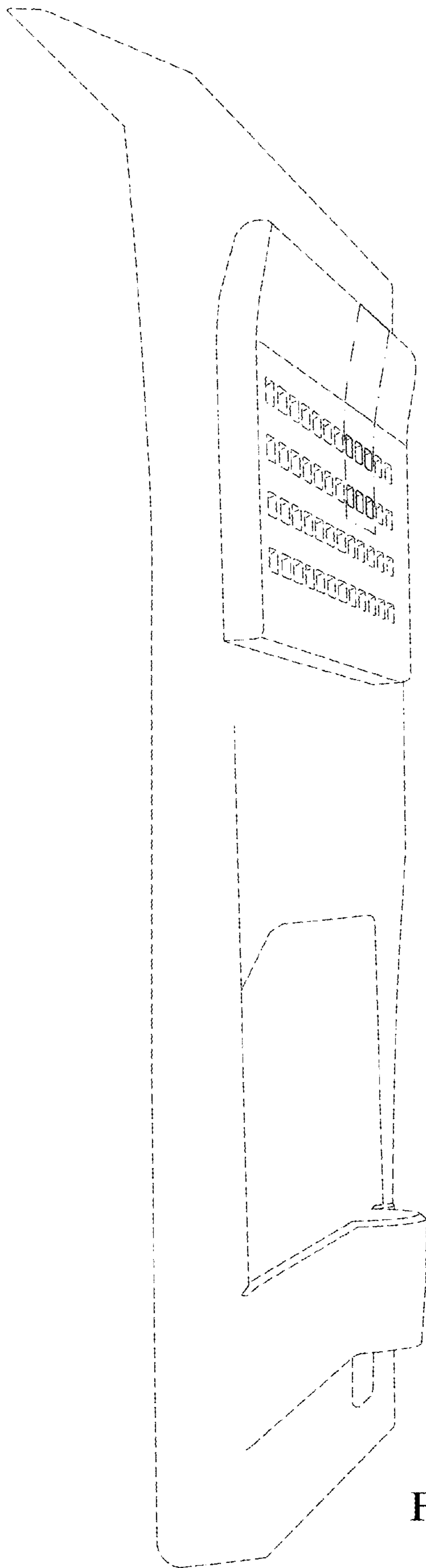


FIG. 5

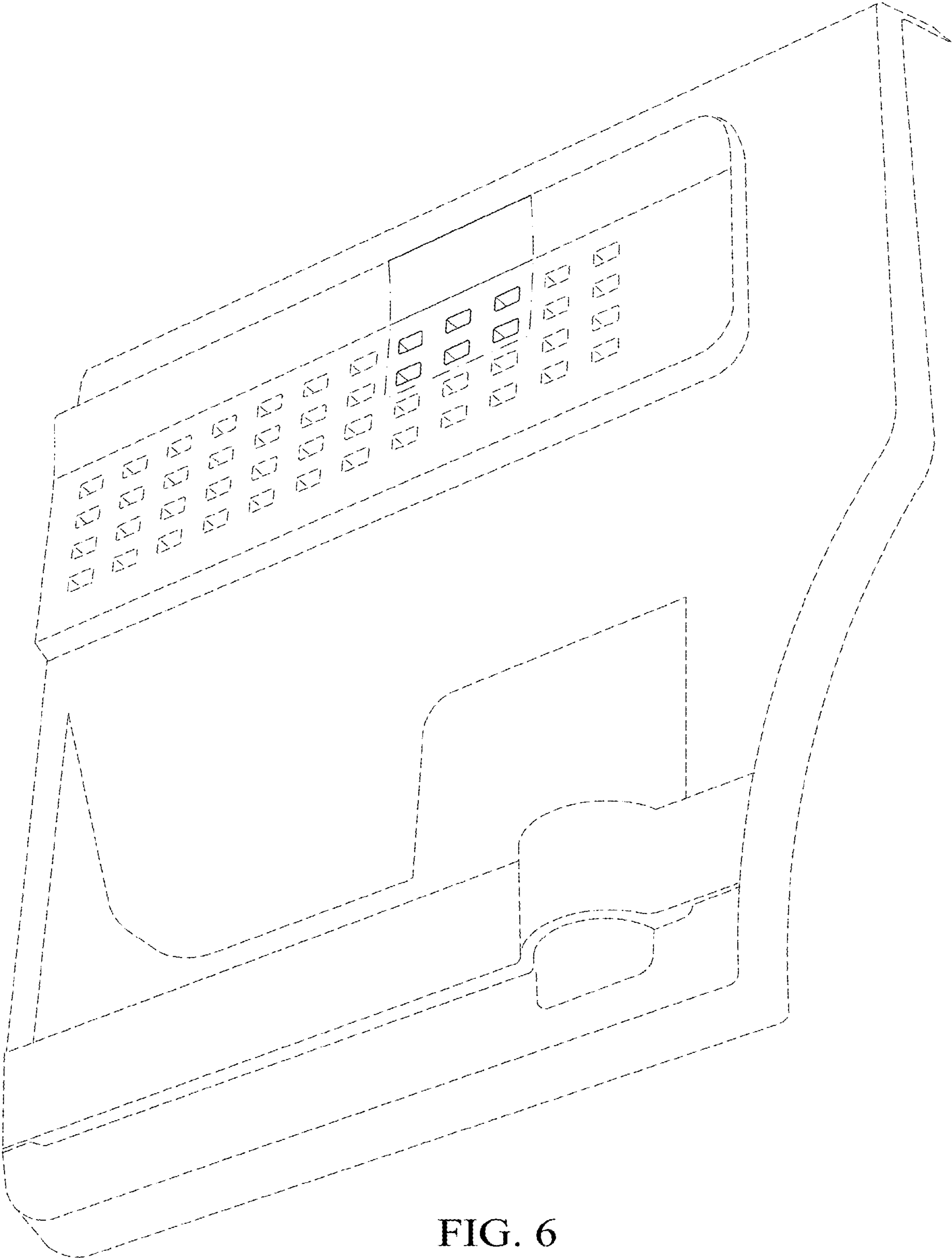


FIG. 6