



US00D944166S

(12) **United States Design Patent**
Cowan et al.

(10) **Patent No.:** **US D944,166 S**
(45) **Date of Patent:** **** Feb. 22, 2022**

(54) **RETRACTABLE VEHICLE MIRROR ASSEMBLY**

(71) Applicant: **CLEARVIEW TOWING MIRRORS PTY LTD**, Craigieburn (AU)

(72) Inventors: **Michael Cowan**, Craigieburn (AU);
Paul McCormack, Craigieburn (AU);
Jay Praag, Craigieburn (AU); **Graham Chapman**, Craigieburn (AU)

(73) Assignee: **CLEARVIEW TOWING MIRRORS PTY LTD**, Craigieburn (AU)

(**) Term: **15 Years**

(21) Appl. No.: **29/755,939**

(22) Filed: **Oct. 23, 2020**

(30) **Foreign Application Priority Data**

Apr. 23, 2020 (AU) 202012426

(51) **LOC (13) Cl.** **12-16**

(52) **U.S. Cl.**
USPC **D12/187**

(58) **Field of Classification Search**
USPC D12/187-189; D6/300, 309
CPC B60R 1/076; G02B 7/182; G02B 5/08;
G02B 7/18

See application file for complete search history.

(56) **References Cited**

U.S. PATENT DOCUMENTS

D863,160 S	*	10/2019	Gifford	D12/187
D865,600 S	*	11/2019	Goodrich	D12/187
D867,249 S	*	11/2019	Chen	D12/187
D870,006 S	*	12/2019	Chen	D12/187
D870,622 S	*	12/2019	Chen	D12/187

D877,011 S	*	3/2020	Ogawa	D12/187
D886,015 S	*	6/2020	Kim	D12/187
D889,339 S	*	7/2020	Chen	D12/187
D891,339 S	*	7/2020	Tanghe	D12/187
D902,812 S	*	11/2020	Sterner	D12/187
D908,565 S	*	1/2021	Choi	D12/187
D909,939 S	*	2/2021	Von Holzhausen	D12/187
D930,535 S	*	9/2021	He	D12/187

* cited by examiner

Primary Examiner — Katrina A Betton

(74) *Attorney, Agent, or Firm* — JCIP; Joseph G. Chu; Jeremy I. Maynard

(57) **CLAIM**

The ornamental design for a retractable vehicle mirror assembly, as shown and described.

DESCRIPTION

FIG. 1 is a front perspective view of a retractable vehicle mirror assembly;

FIG. 2 is a front view of the retractable vehicle mirror assembly;

FIG. 3 is a rear perspective view of the retractable vehicle mirror assembly;

FIG. 4 is a side view of the retractable vehicle mirror assembly;

FIG. 5 is a top view of the retractable vehicle mirror assembly;

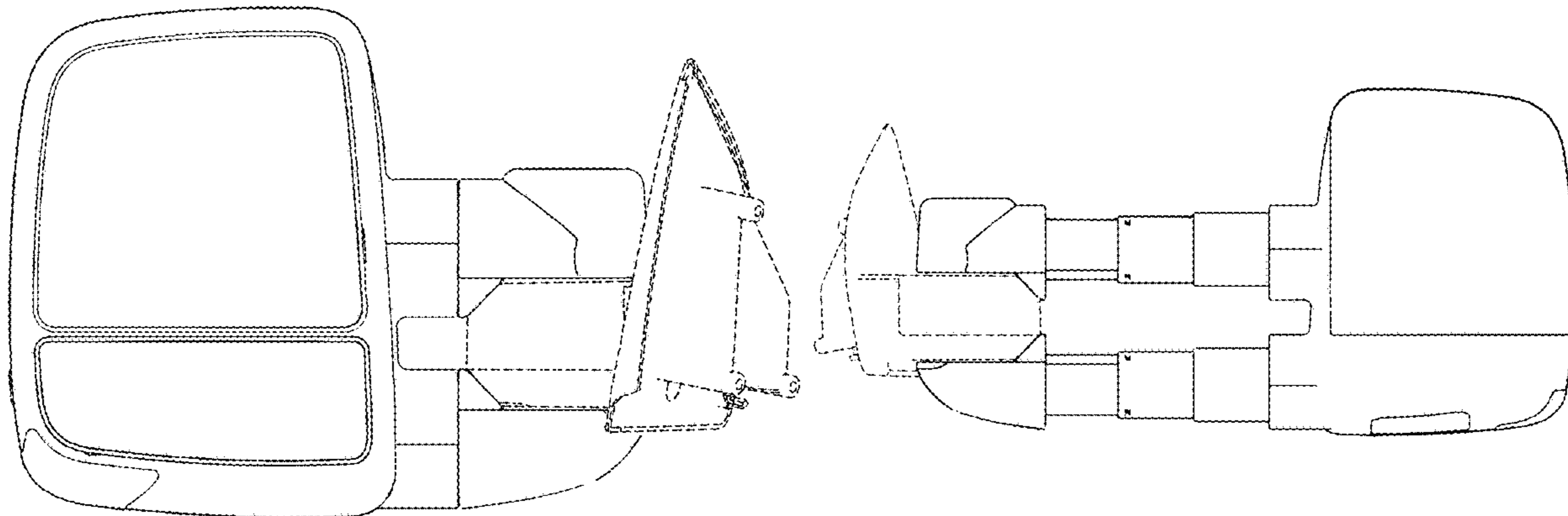
FIG. 6 is a bottom view of the retractable vehicle mirror assembly;

FIG. 7 is a front perspective view of the retractable vehicle mirror assembly in extended configuration; and,

FIG. 8 is a rear view of the retractable vehicle mirror assembly in extended configuration.

The broken lines are included for the purpose of illustrating environmental structure, which form no part of the claimed design.

1 Claim, 8 Drawing Sheets



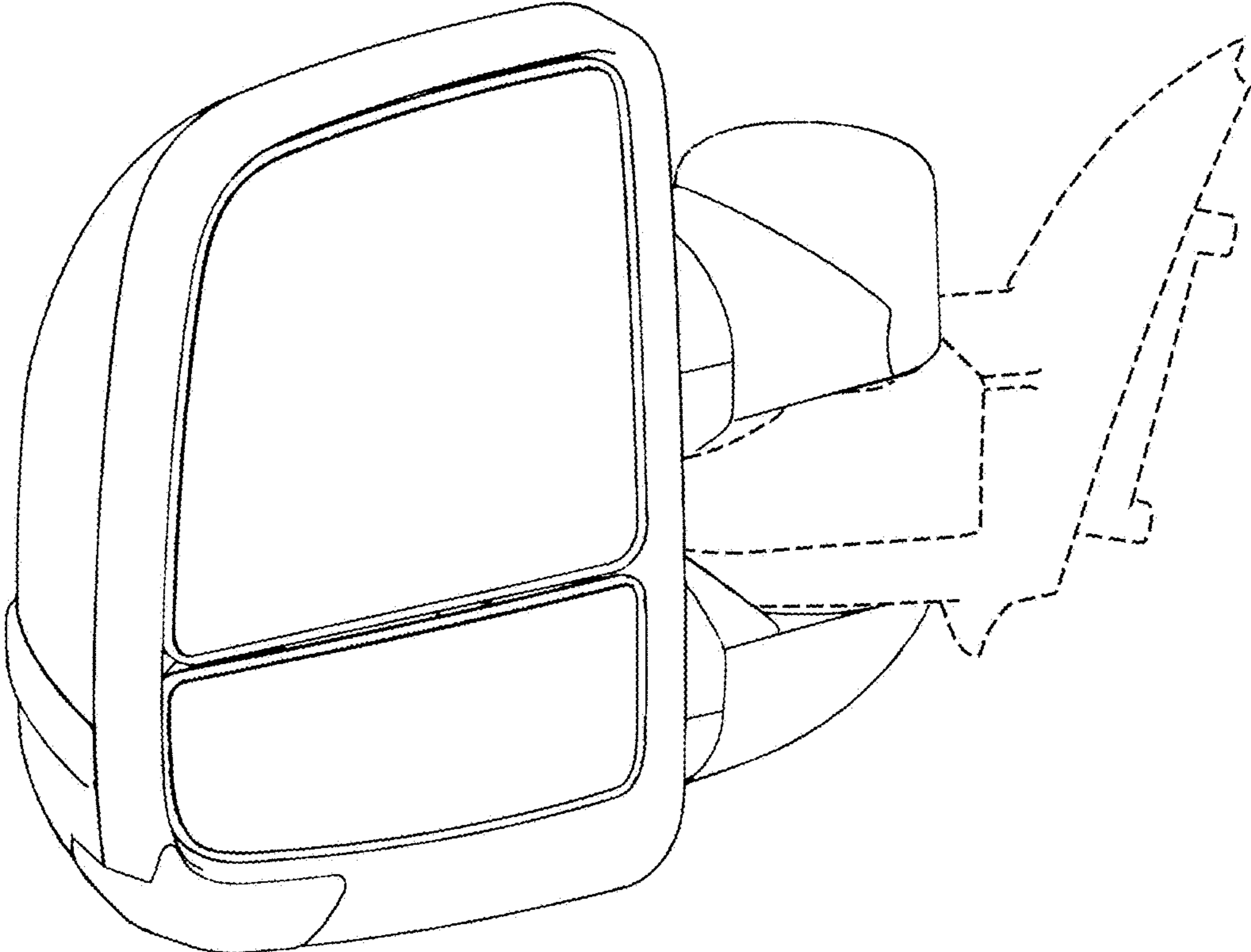


Fig. 1

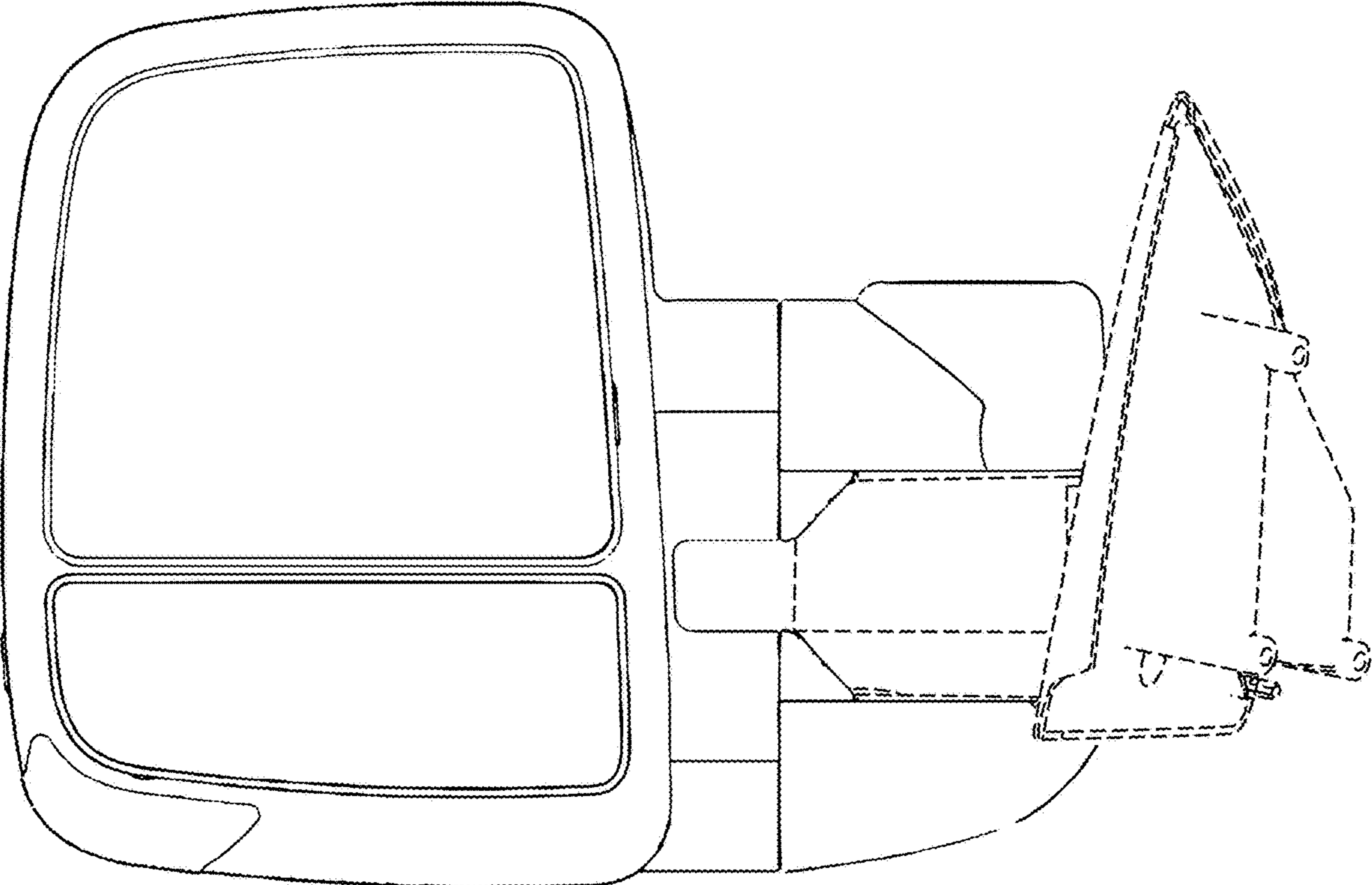


Fig. 2

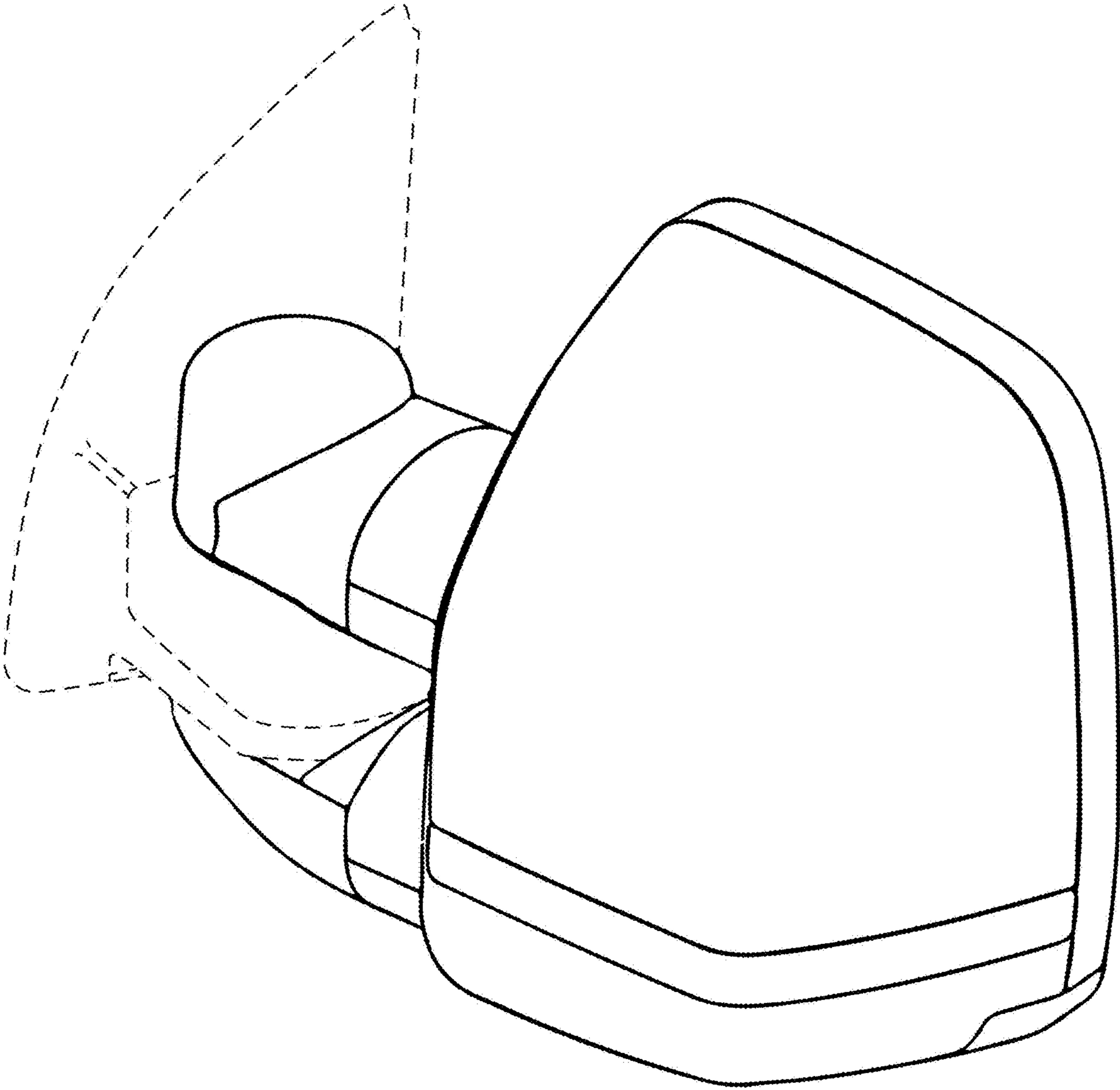


Fig. 3

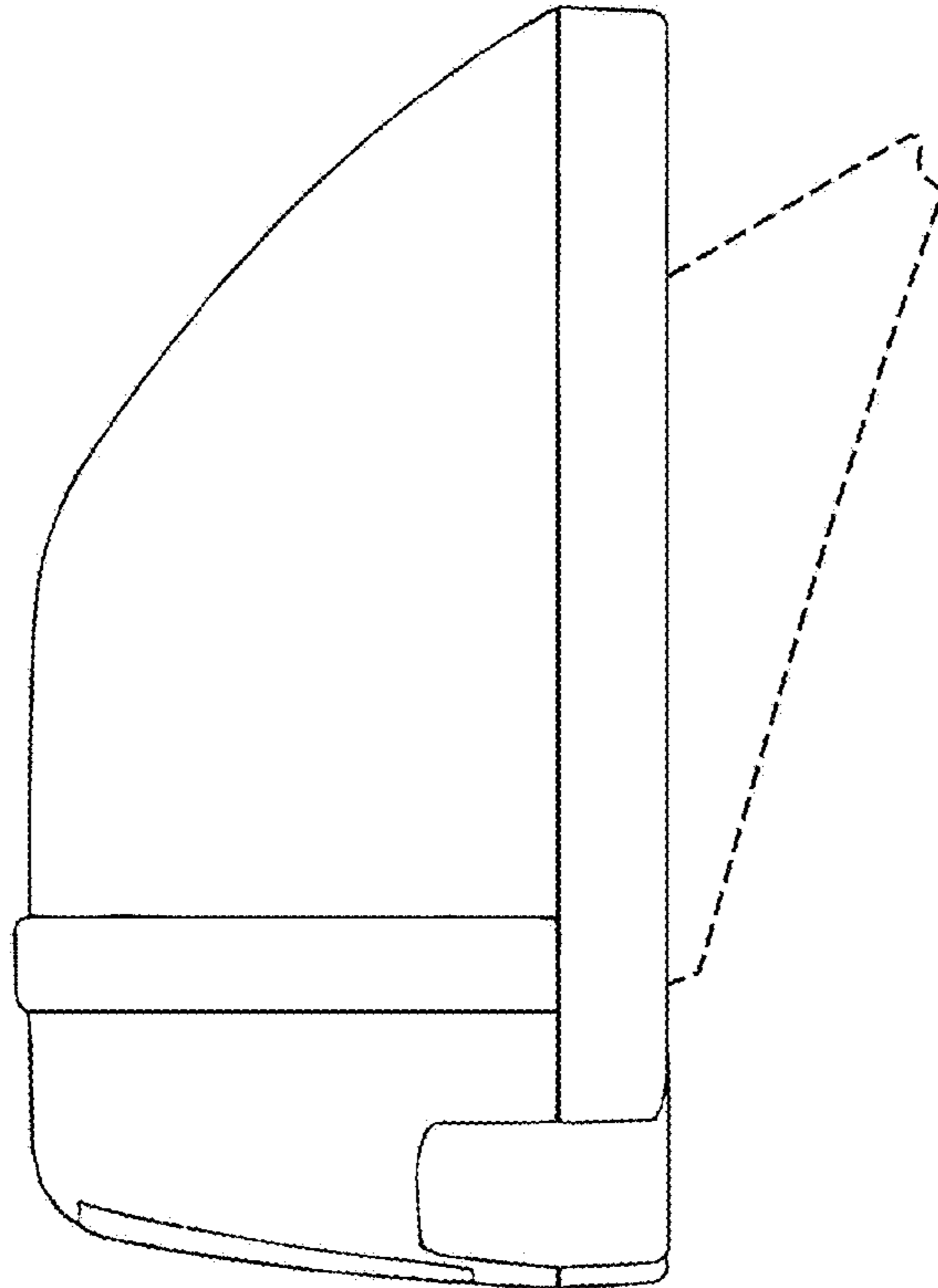


Fig. 4

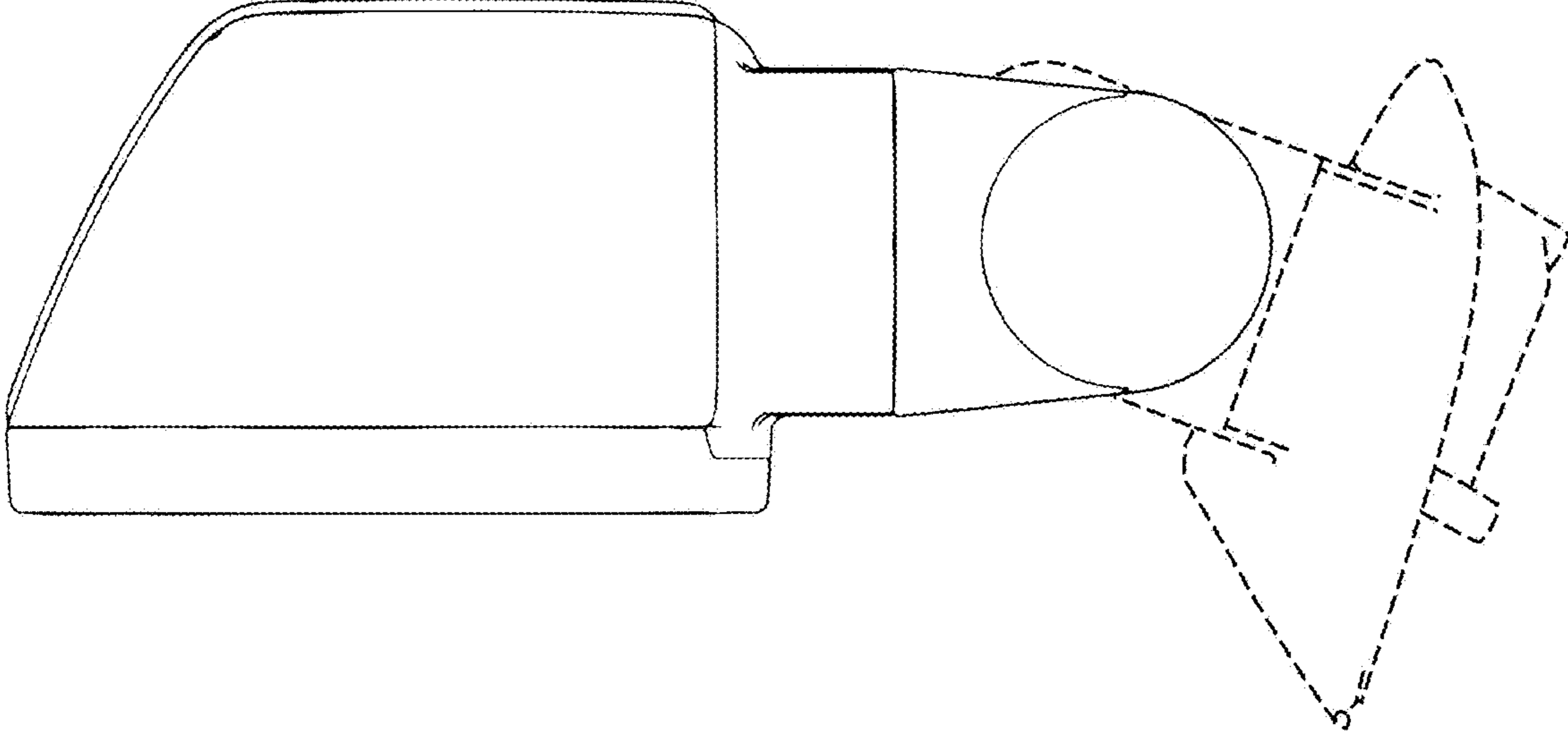


Fig. 5

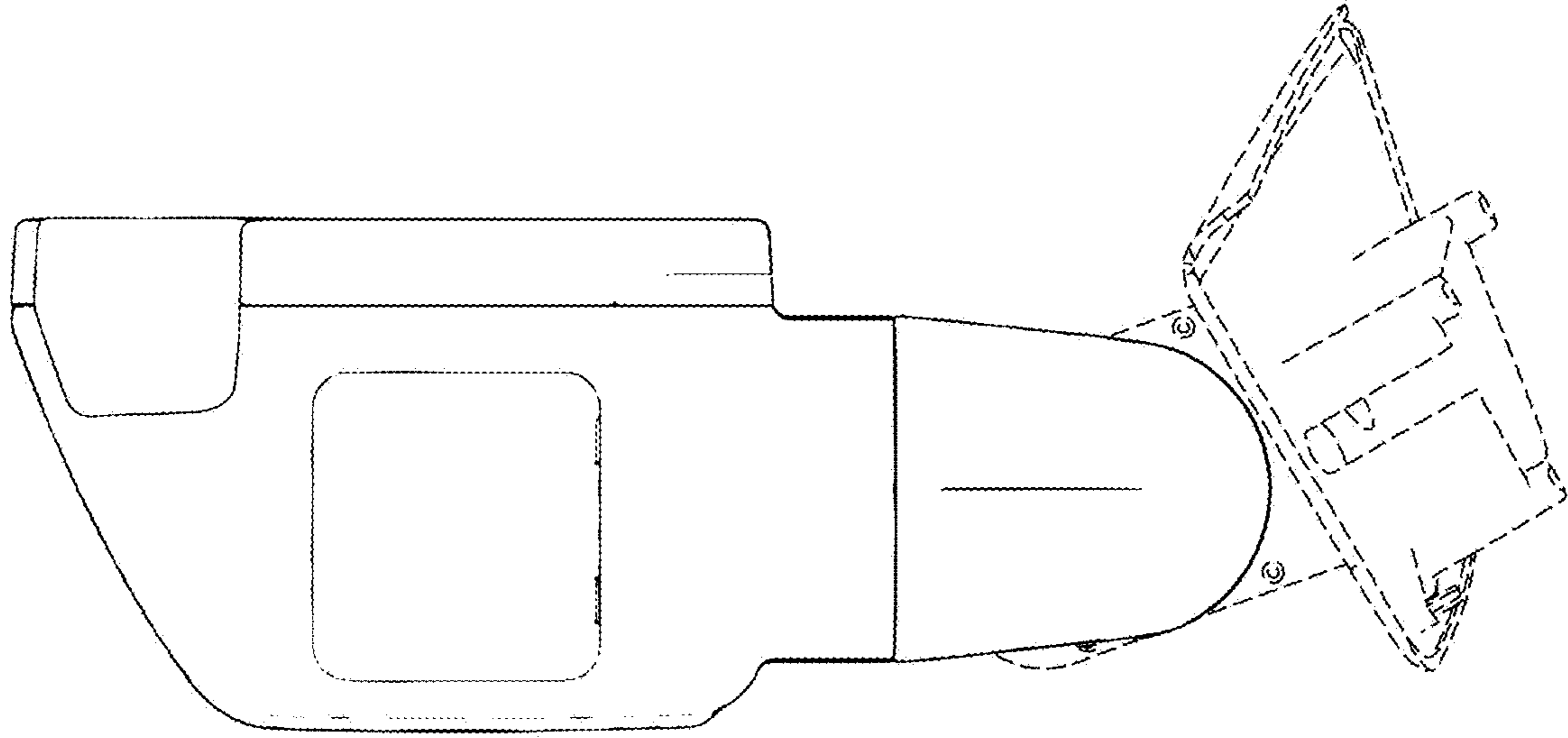


Fig. 6

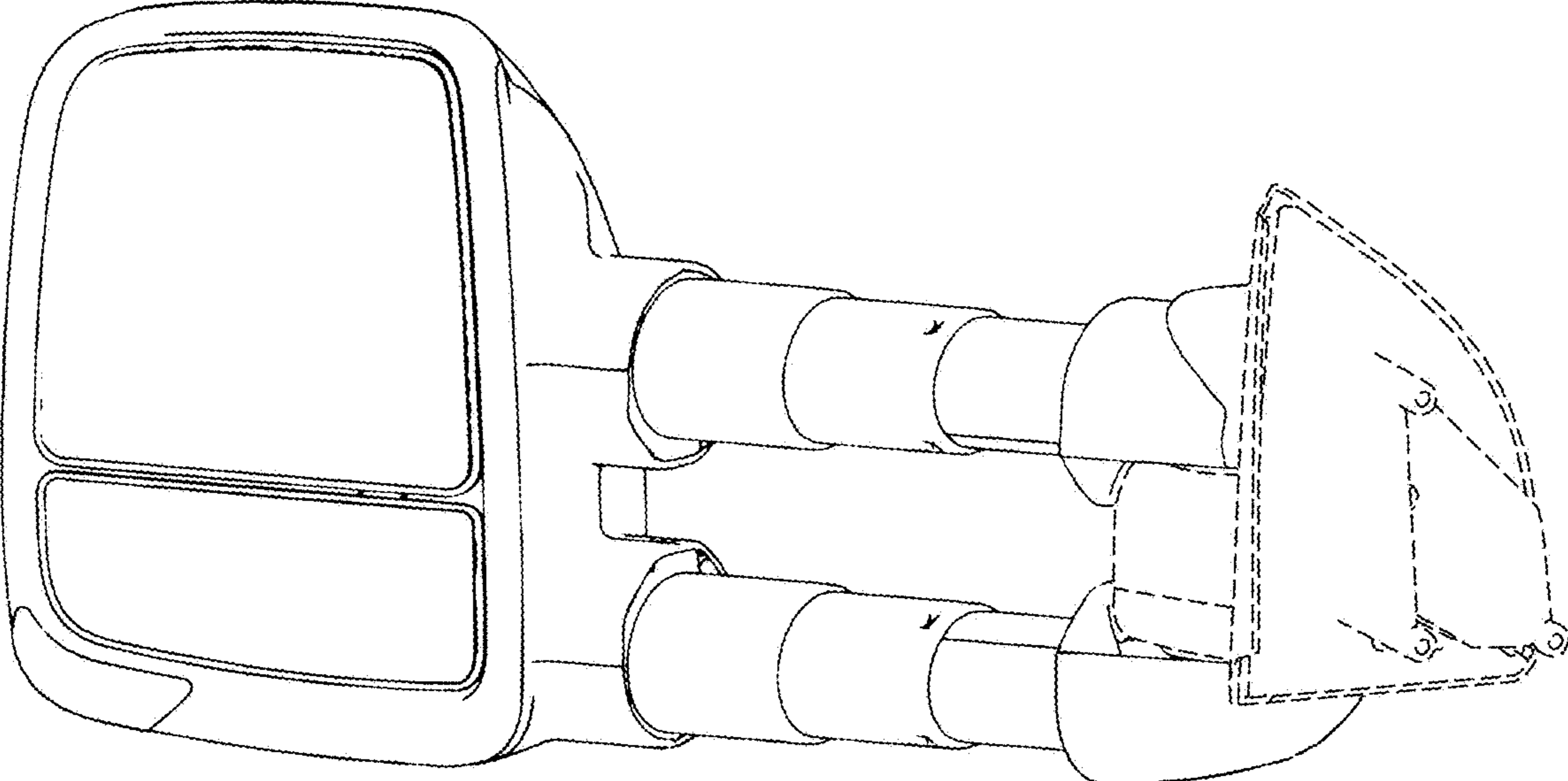


Fig. 7

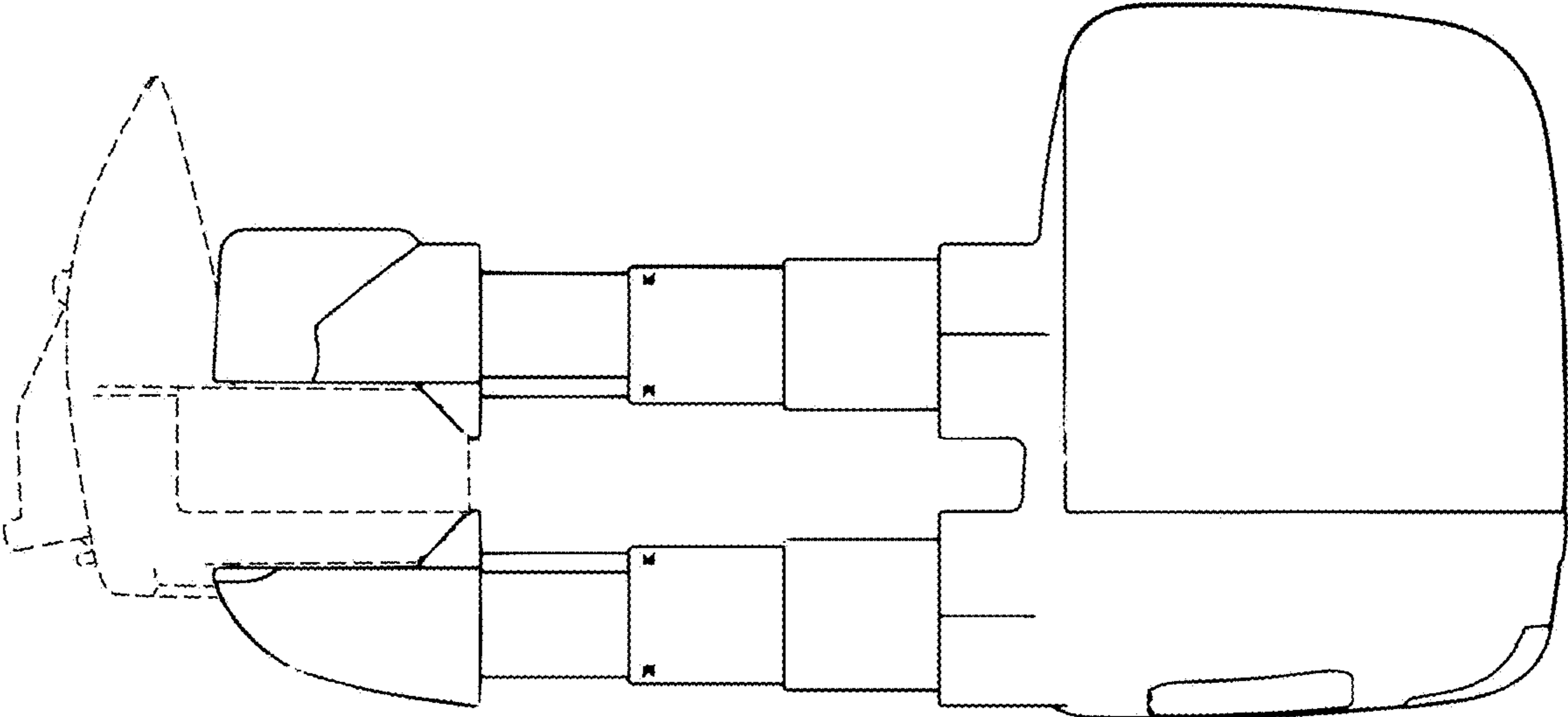


Fig. 8