



US00D944164S

(12) **United States Design Patent** (10) **Patent No.:** **US D944,164 S**
Forschner (45) **Date of Patent:** **** Feb. 22, 2022**

(54) **SIDE MIRROR FOR A VEHICLE**
(71) Applicant: **Bayerische Motoren Werke Aktiengesellschaft, Munich (DE)**
(72) Inventor: **Anne Kristina Forschner, Munich (DE)**
(73) Assignee: **Bayerische Motoren Werke Aktiengesellschaft, Munich (DE)**
(**) Term: **15 Years**
(21) Appl. No.: **29/755,486**
(22) Filed: **Oct. 21, 2020**
(30) **Foreign Application Priority Data**
Apr. 29, 2020 (DE) 402020100415.4
(51) **LOC (13) Cl.** **12-16**
(52) **U.S. Cl.**
USPC **D12/187**
(58) **Field of Classification Search**
USPC D12/187-189; D6/300, 309
CPC B60R 1/076; G02B 7/182; G02B 5/08; G02B 7/18
See application file for complete search history.

D913,880 S * 3/2021 Hilliard D12/187
D913,881 S * 3/2021 Hilliard D12/187
D919,529 S * 5/2021 Dewitt D12/187
D920,868 S * 6/2021 Piaskowski D12/187
D932,403 S * 10/2021 Jenkins D12/187

FOREIGN PATENT DOCUMENTS

DE 402014101119.2 1/2015
EM 000715974-0002 2/2008
EM 002592469-0003 9/2015
WO WO DM/200913 6/2019

* cited by examiner

Primary Examiner — Katrina A Betton

(74) *Attorney, Agent, or Firm* — Crowell & Moring LLP

(57) **CLAIM**

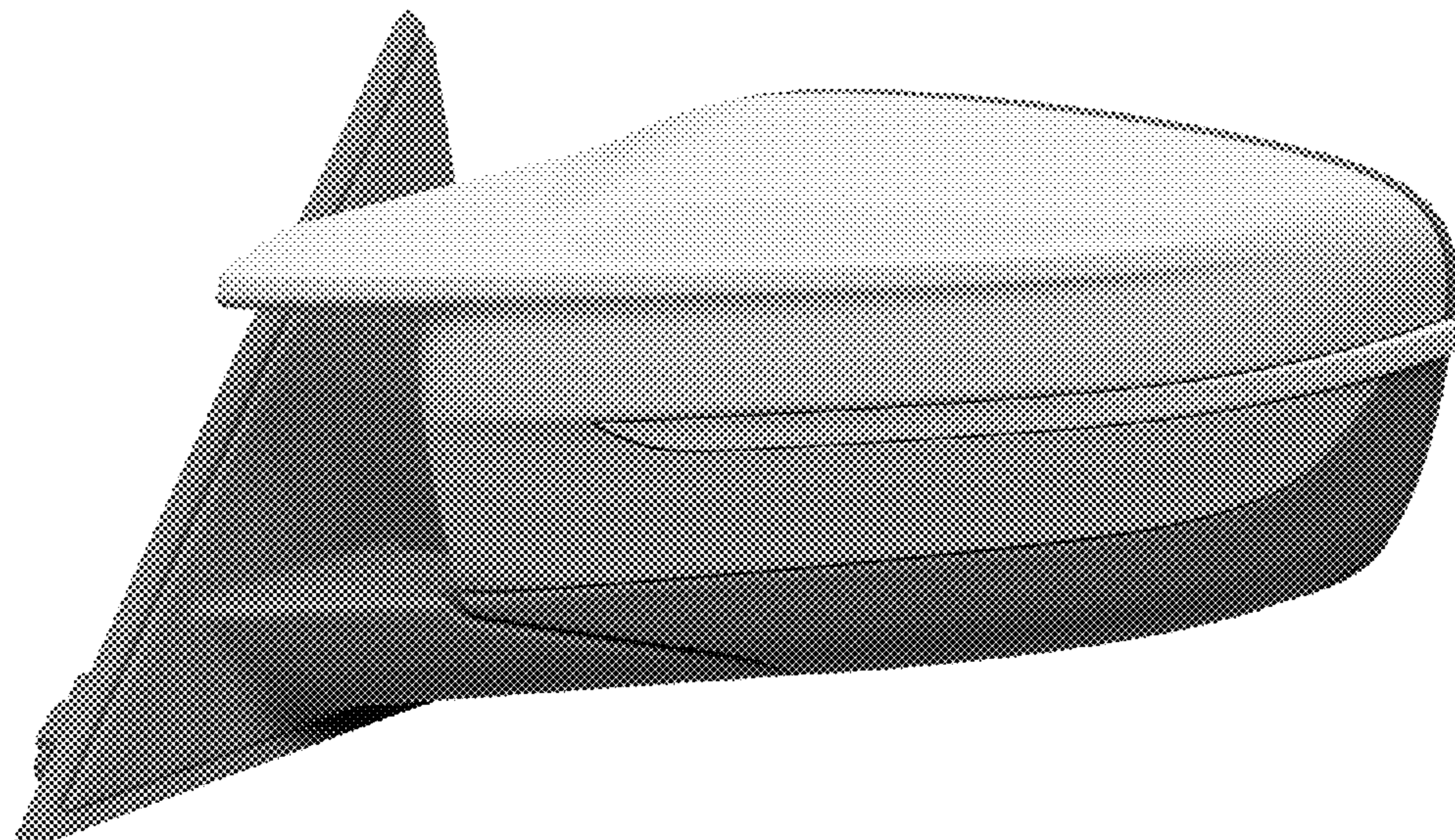
The ornamental design for a side mirror for a vehicle, as shown and described.

DESCRIPTION

This application contains subject matter related to the following co-pending U.S. design patent applications: Application Ser. No. 29/755,479, filed herewith and entitled "Vehicle, Toy, and/or Replicas Thereof"; Application Ser. No. 29/755,480, filed herewith and entitled "Vehicle, Toy, and/or Replicas Thereof"; and Application Ser. No. 29/755,481, filed herewith and entitled "Vehicle, Toy, and/or Replicas Thereof". FIG. 1 is a front view of a side mirror for a vehicle according to the design; FIG. 2 is a right, front perspective view thereof; FIG. 3 is a left, bottom perspective view thereof; FIG. 4 is a right side view thereof; FIG. 5 is a left side view thereof; FIG. 6 is a top view thereof; FIG. 7 is a bottom view thereof; and, FIG. 8 is a rear view thereof.

1 Claim, 8 Drawing Sheets

(56) **References Cited**
U.S. PATENT DOCUMENTS
D567,160 S 4/2008 Baum
D746,197 S 12/2015 Nissl
D761,173 S 7/2016 Faghihzadeh
D891,338 S * 7/2020 Ninov D12/187
D891,339 S * 7/2020 Tanghe D12/187
D902,813 S * 11/2020 Ruiz D12/187
D904,259 S * 12/2020 Piaskowski D12/187
D904,260 S * 12/2020 Piaskowski D12/187
D908,565 S * 1/2021 Choi D12/187
D908,566 S * 1/2021 Zhao D12/187
D911,894 S * 3/2021 Tonello D12/187



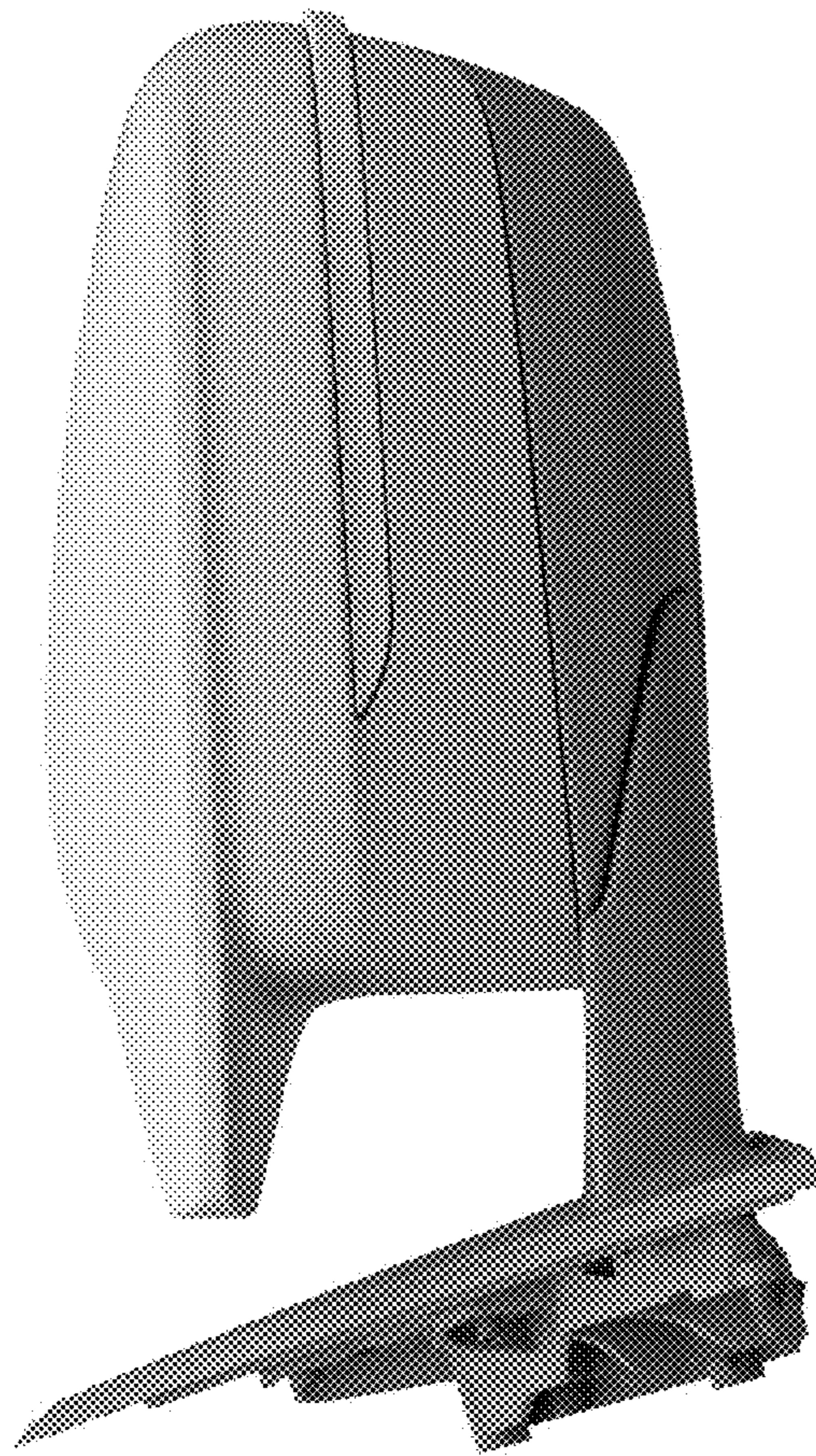


Fig. 1

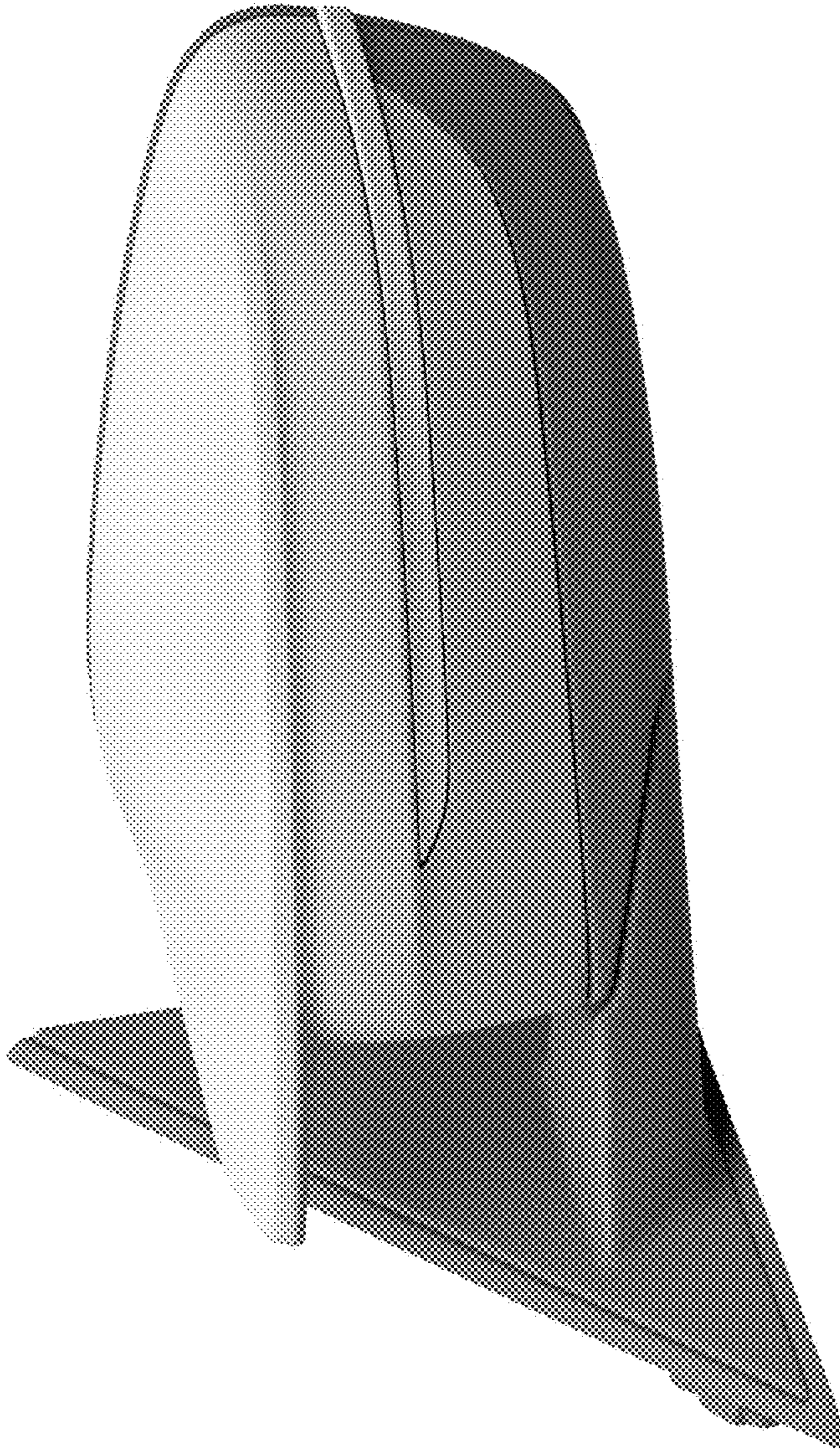


Fig. 2



Fig. 3

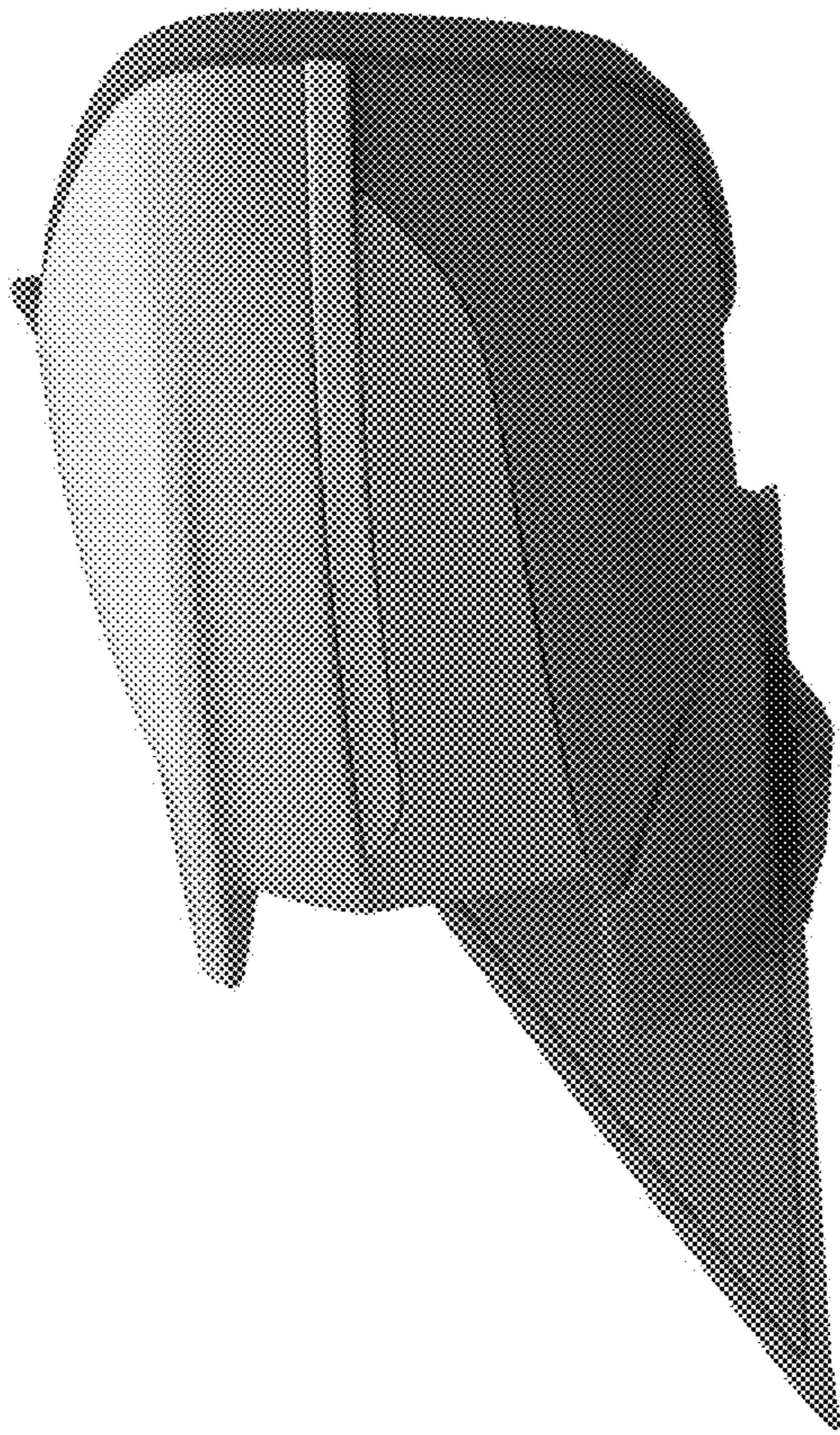


Fig. 4

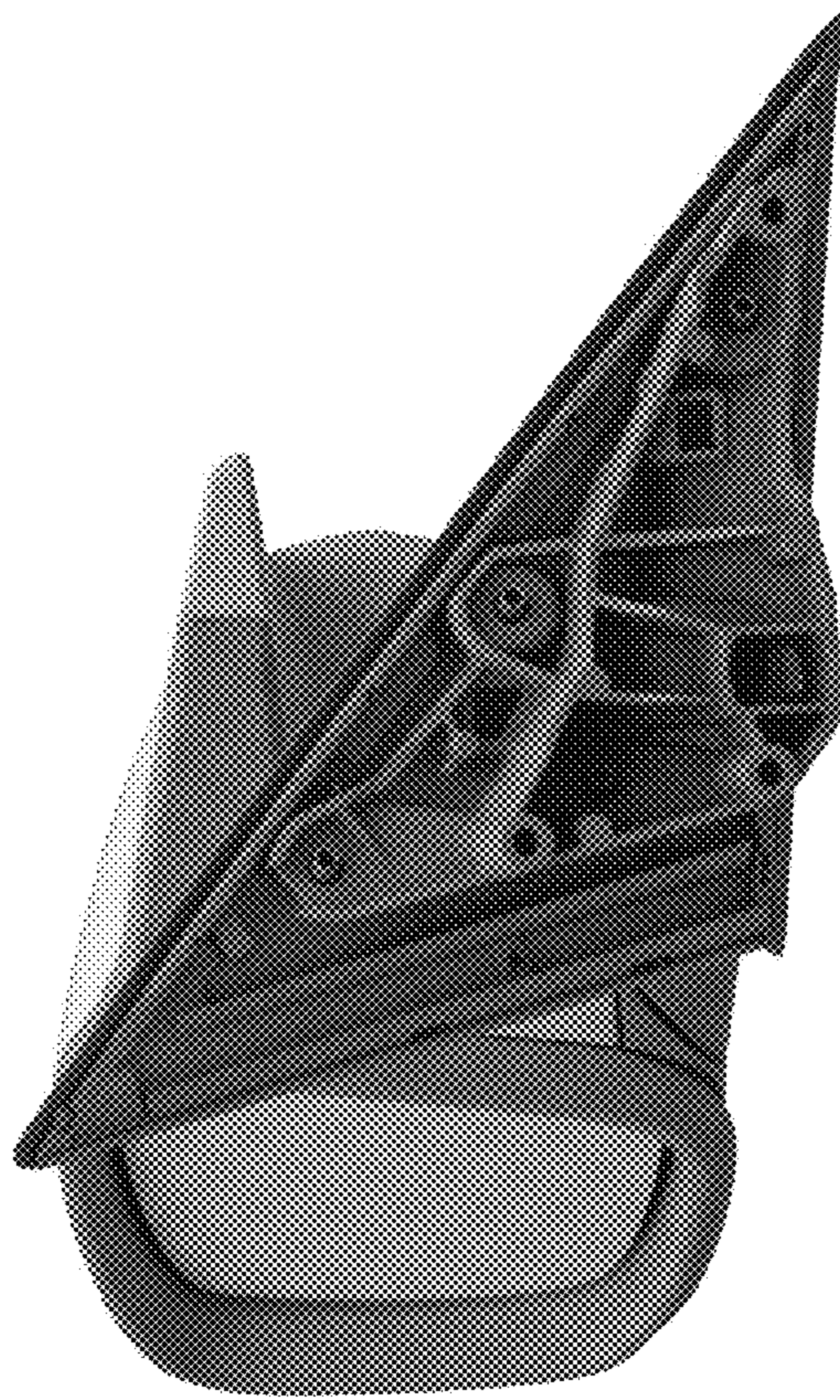


Fig. 5



Fig. 6



Fig. 7



Fig. 8