



US00D944163S

(12) **United States Design Patent** (10) **Patent No.:** **US D944,163 S**
Wu (45) **Date of Patent:** **** Feb. 22, 2022**

(54) **VEHICLE SIDE MIRROR**
(71) Applicant: **Meachow Technology Co., Ltd.**,
Taichung (TW)
(72) Inventor: **Min-Hsiung Wu**, Taichung (TW)
(73) Assignee: **Meachow Technology Co., Ltd.**,
Taichung (TW)
(**) Term: **15 Years**
(21) Appl. No.: **29/749,376**
(22) Filed: **Sep. 4, 2020**
(51) **LOC (13) Cl.** **12-16**
(52) **U.S. Cl.**
USPC **D12/187**
(58) **Field of Classification Search**
USPC D12/187-189; D6/300, 309
CPC B60R 1/076; G02B 7/182; G02B 5/08;
G02B 7/18
See application file for complete search history.

(56) **References Cited**
U.S. PATENT DOCUMENTS
D575,710 S * 8/2008 Zimmer D12/187
D647,444 S * 10/2011 Manukyan D12/187
D690,244 S * 9/2013 Suesse D12/187
D702,609 S * 4/2014 Hovind D12/187
D716,209 S * 10/2014 Rigolio D12/187
D782,948 S * 4/2017 Wu D12/187

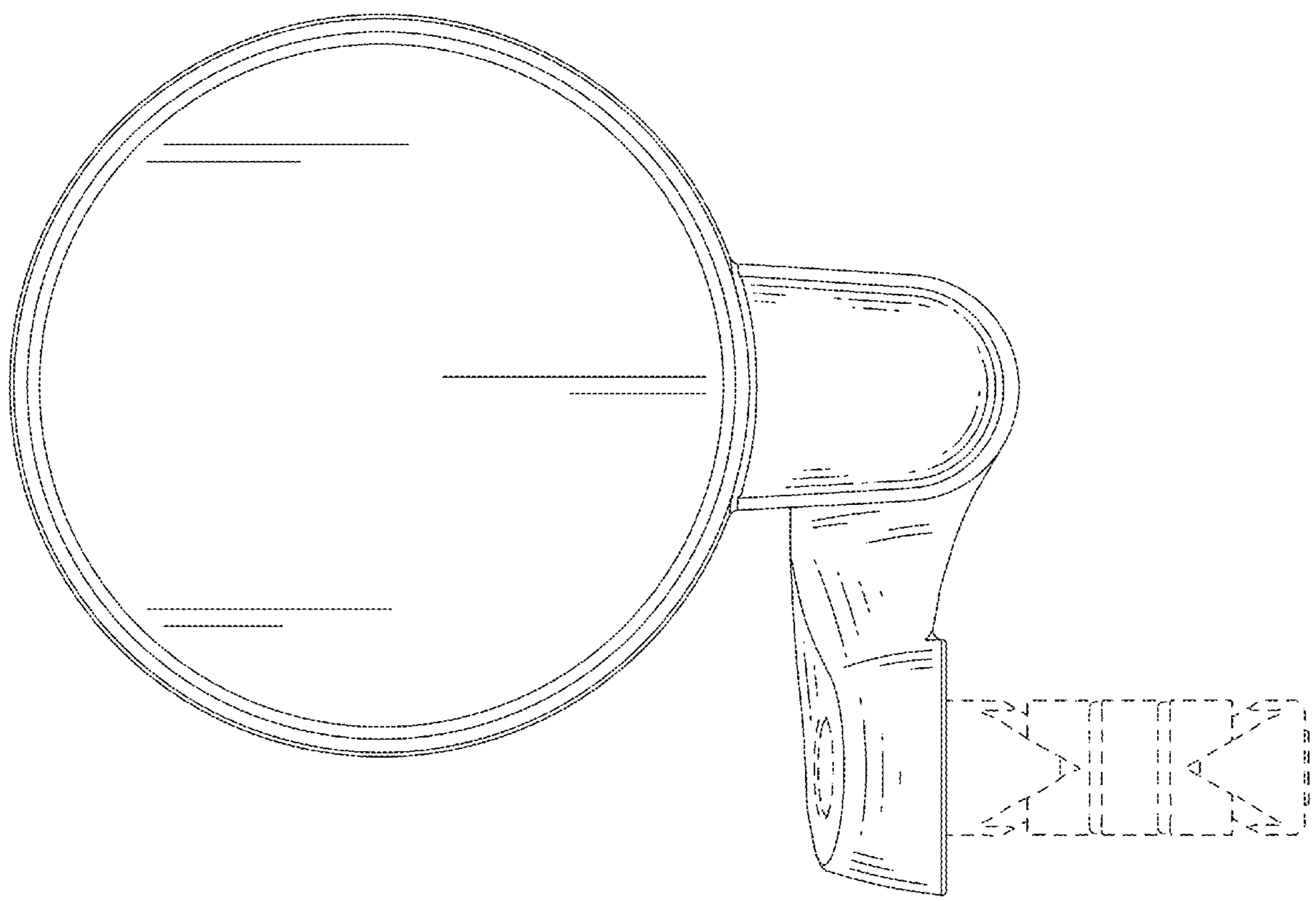
D791,658 S * 7/2017 Ito D12/187
D815,577 S * 4/2018 Chiang D12/187
D839,788 S * 2/2019 Keller D12/114
D846,288 S * 4/2019 Yang D6/309
D914,563 S * 3/2021 Triebold D12/188
D930,535 S * 9/2021 He D12/187
2004/0027699 A1 * 2/2004 Teague B60D 1/36
359/871

* cited by examiner
Primary Examiner — Katrina A Betton
(74) *Attorney, Agent, or Firm* — Karin L. Williams; Alan
D. Kamrath; Mayer & Williams PC

(57) **CLAIM**
The ornamental design for a vehicle side mirror, as shown
and described.

DESCRIPTION
FIG. 1 is a front side perspective view of a vehicle side
mirror showing my design;
FIG. 2 is a front elevational view thereof;
FIG. 3 is a rear elevational view thereof;
FIG. 4 is a left side elevational view thereof;
FIG. 5 is a right side elevational view thereof;
FIG. 6 is a top plan view thereof; and,
FIG. 7 is a bottom plan view thereof.
The broken lines, shown in the drawings, indicate portions
of the vehicle side mirror which form no part of the claimed
design.

1 Claim, 7 Drawing Sheets



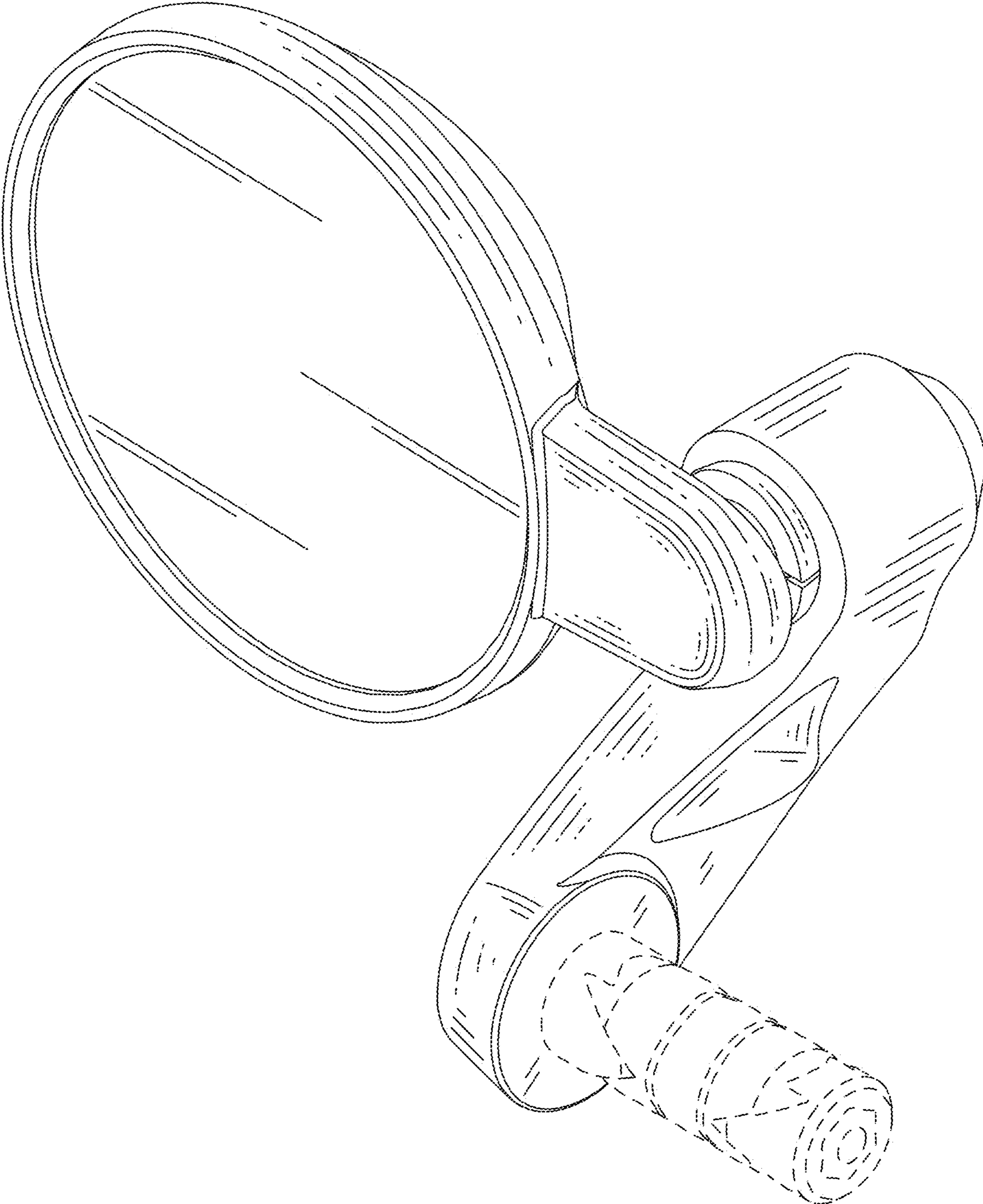


FIG. 1

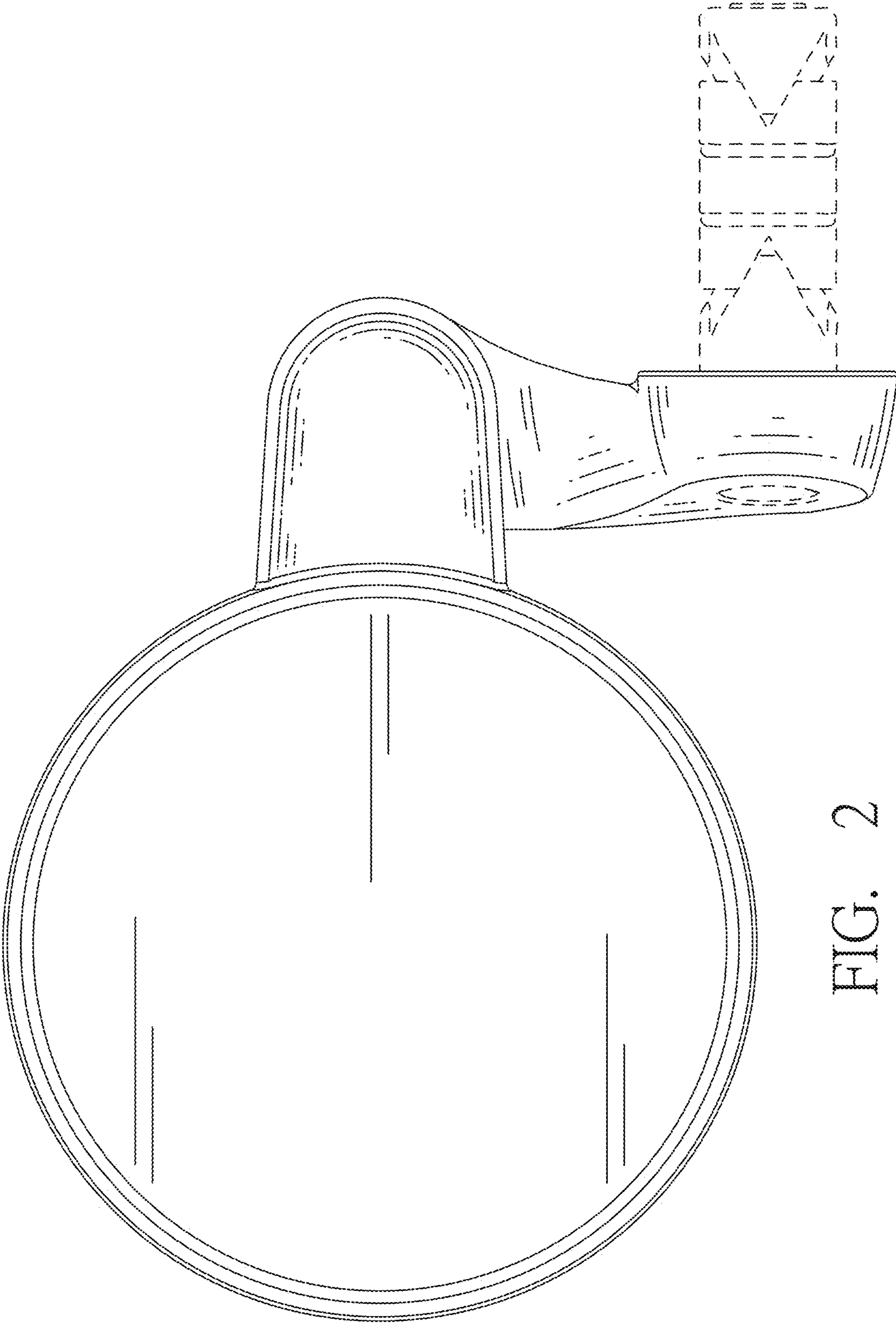


FIG. 2

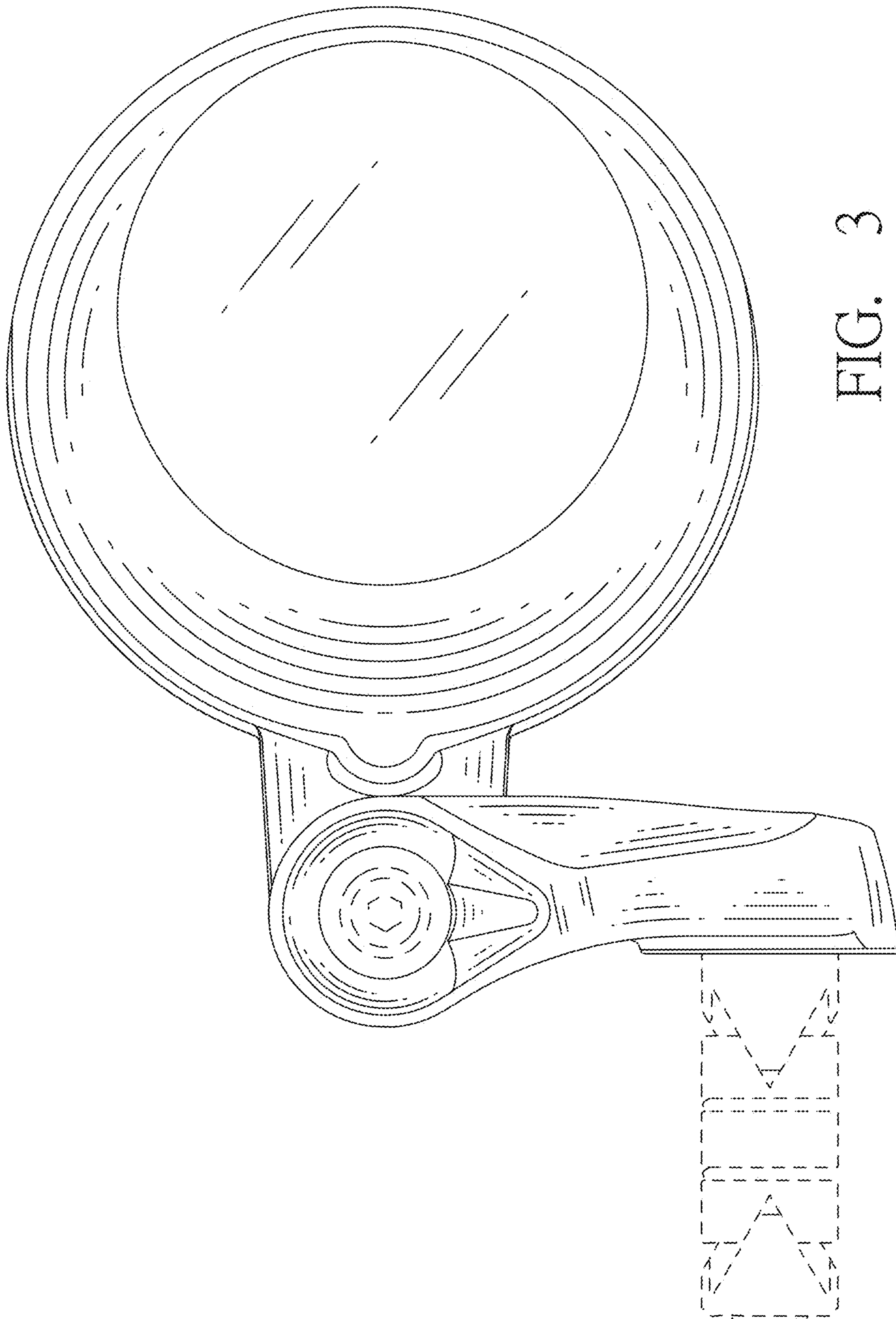


FIG. 3

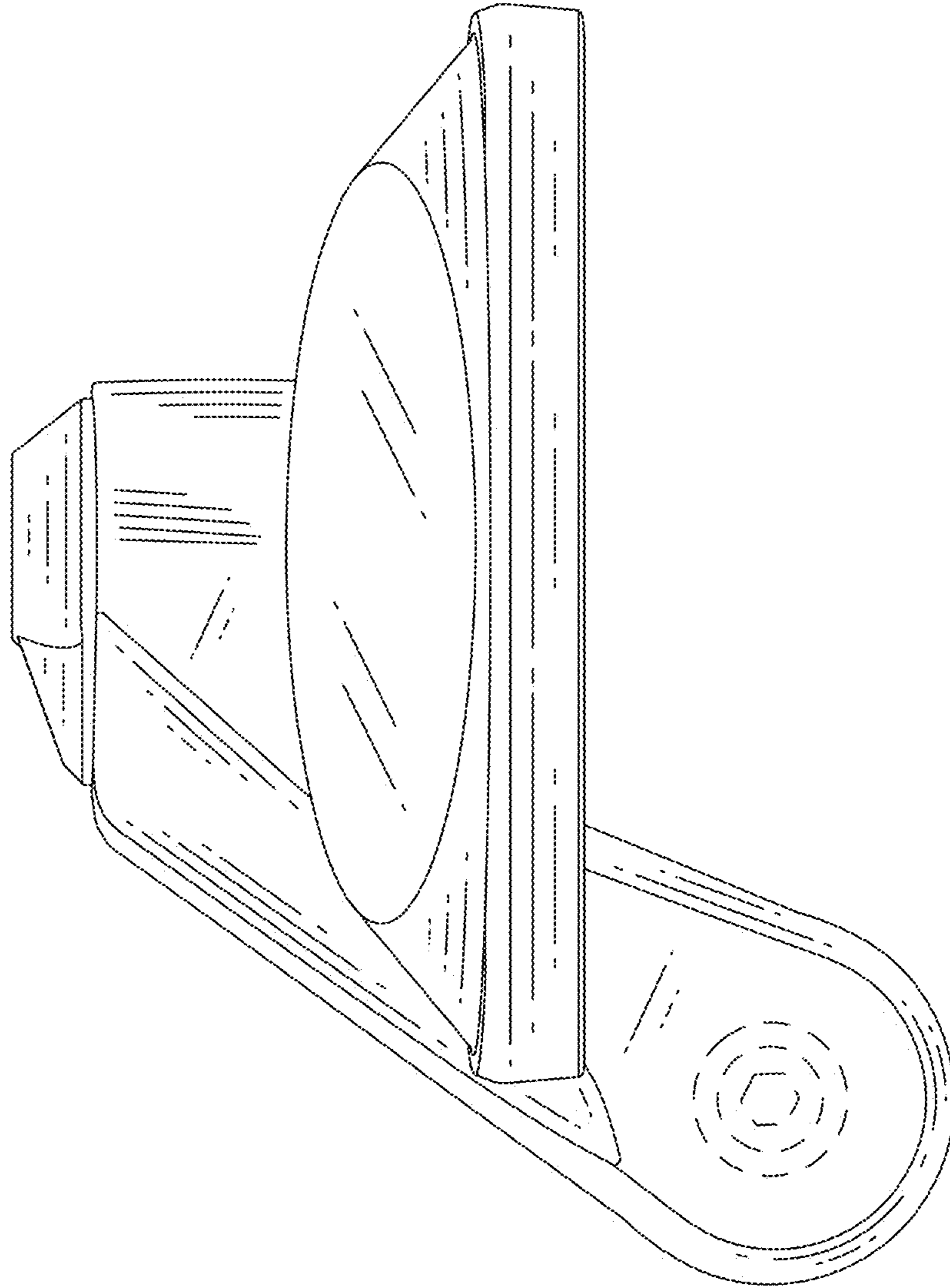


FIG. 4

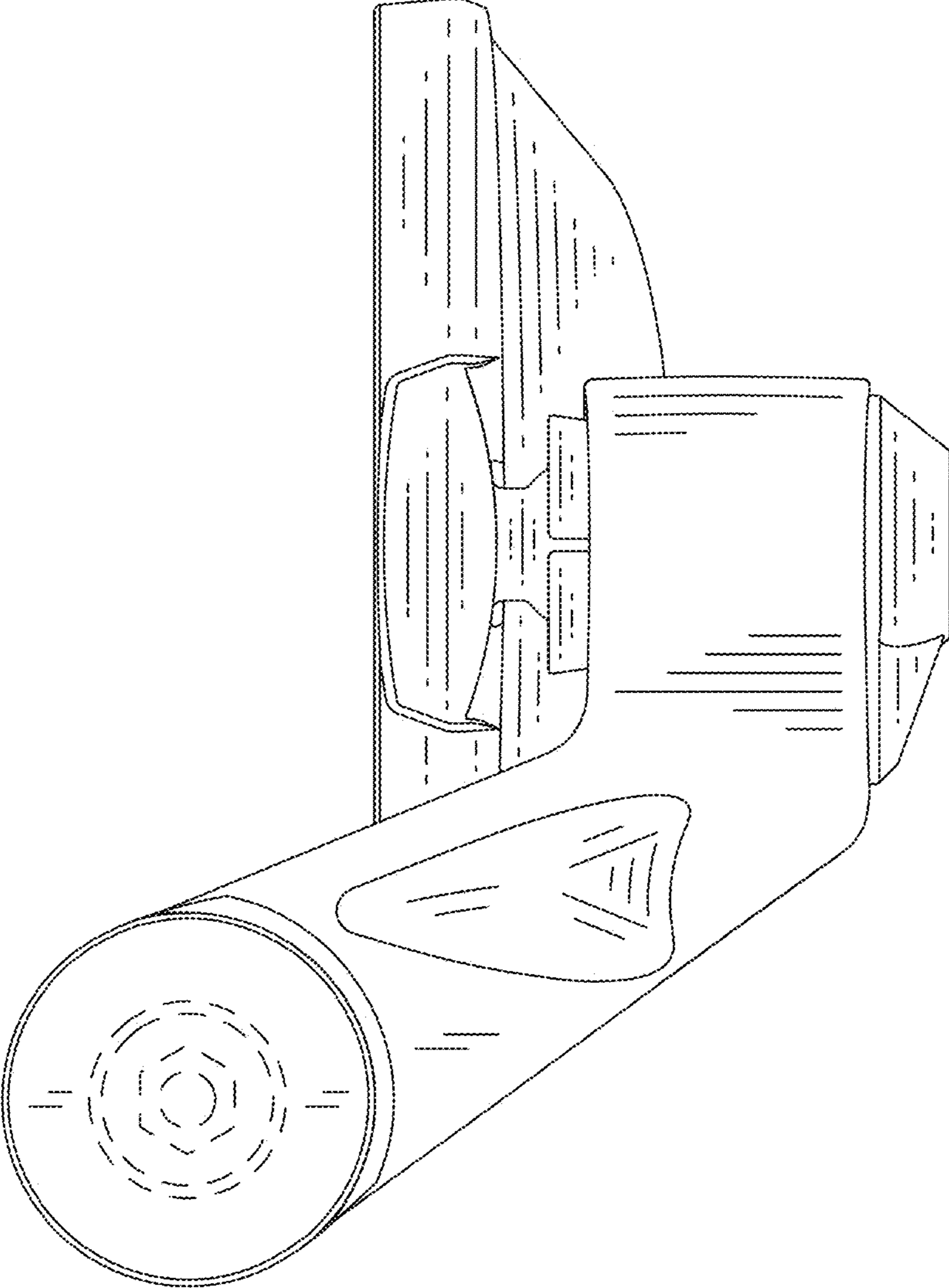


FIG. 5

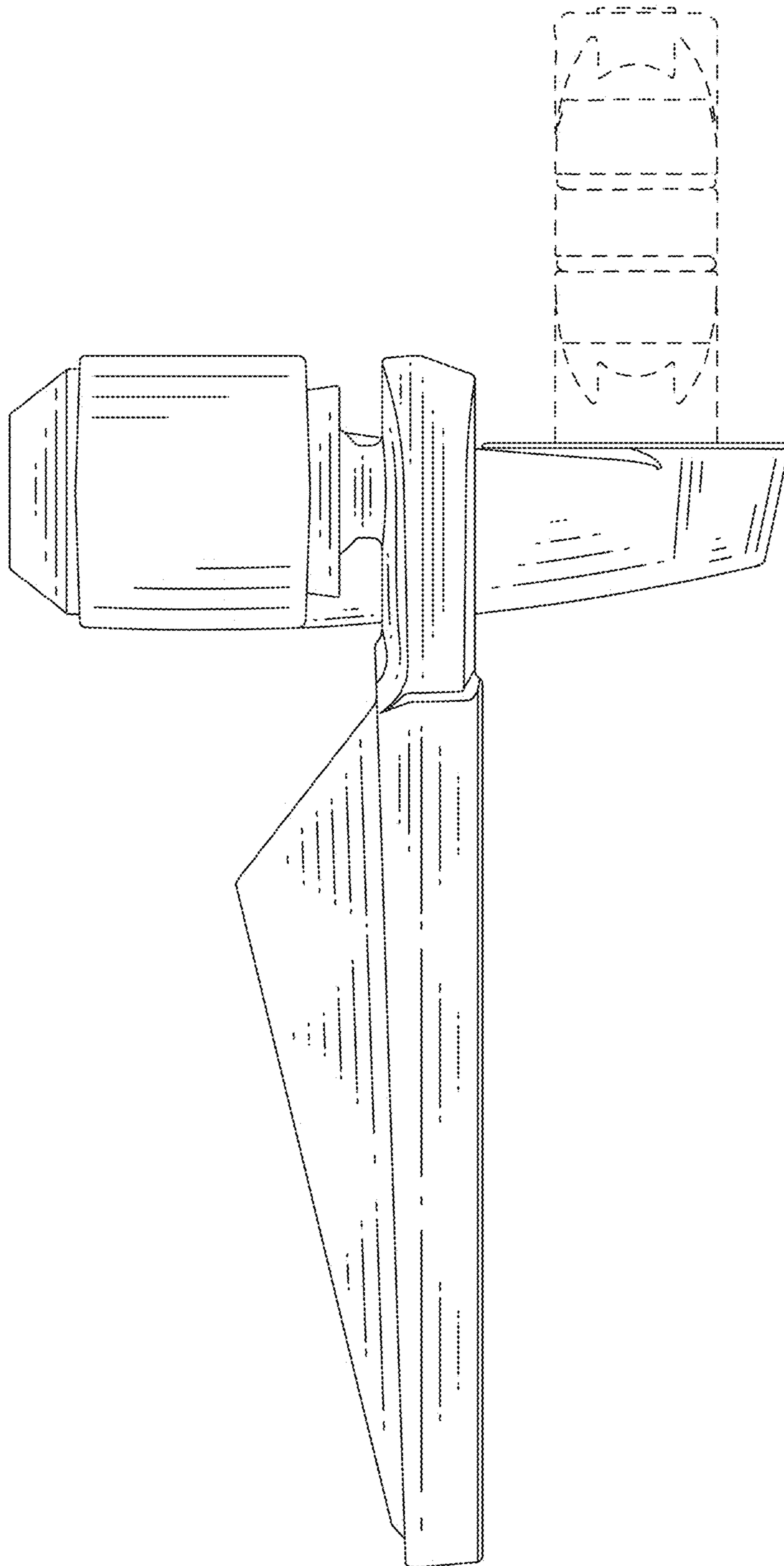


FIG. 6

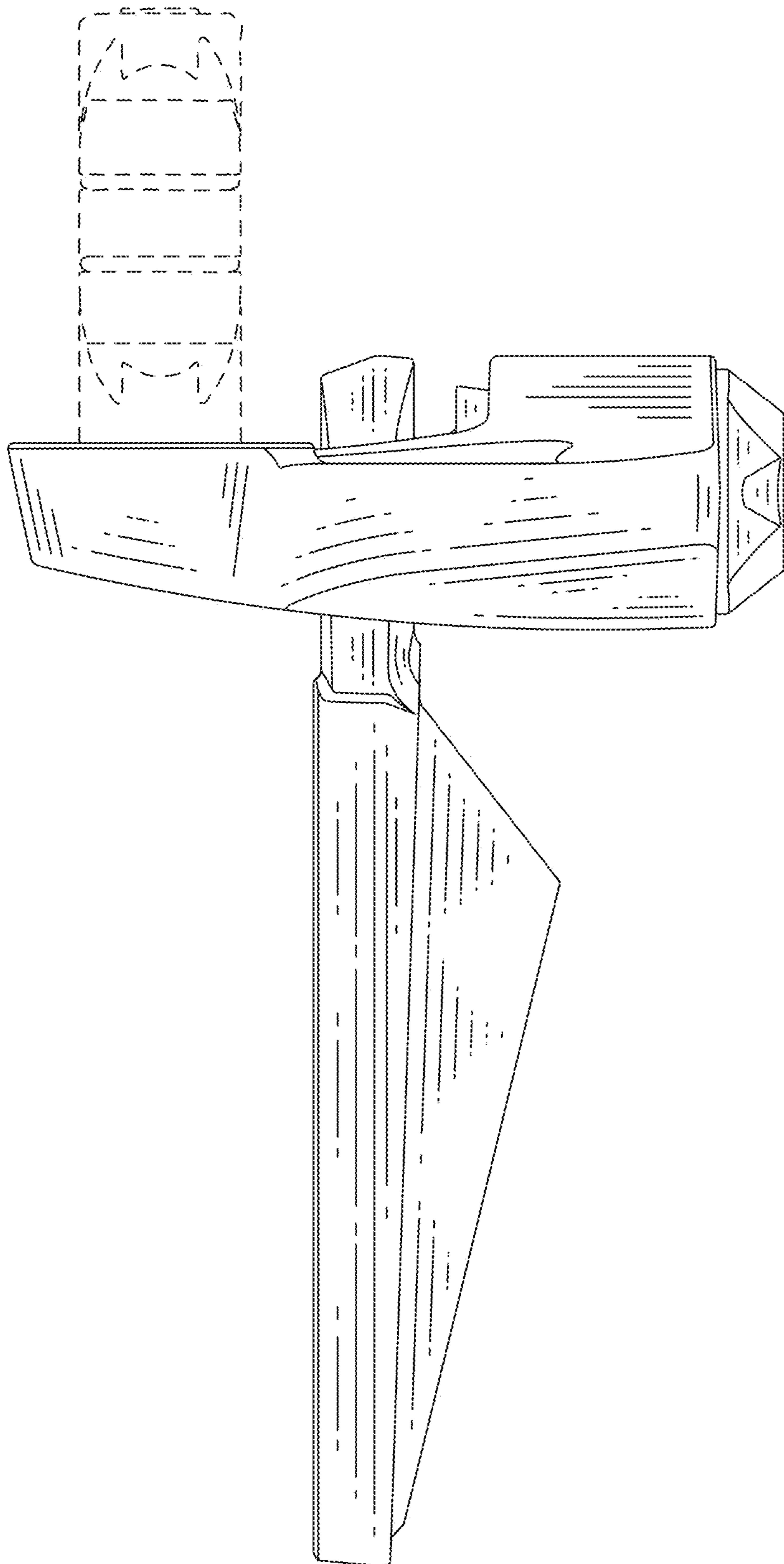


FIG. 7