



US00D944159S

(12) **United States Design Patent**
Ye

(10) **Patent No.:** **US D944,159 S**
(45) **Date of Patent:** **** Feb. 22, 2022**

(54) **CAR MUD FLAP SET**

(71) Applicant: **Si Ye**, Shenzhen (CN)

(72) Inventor: **Si Ye**, Shenzhen (CN)

(**) Term: **15 Years**

(21) Appl. No.: **29/774,265**

(22) Filed: **Mar. 15, 2021**

(51) **LOC (13) Cl.** **12-16**

(52) **U.S. Cl.**
USPC **D12/184**

(58) **Field of Classification Search**
USPC D12/163, 164, 167, 169, 170, 171, 172,
D12/173, 181, 184, 185, 190, 192, 196,
D12/223, 400; D21/533, 548, 552, 561
CPC B62D 25/02; B62D 25/04; B62D 25/16;
B62D 25/18; B62D 25/161; B62D
25/163; B62D 25/165; B62D 25/166;
B62D 25/168; B62D 25/182; B62D
25/184; B62D 25/186; B62D 25/188;
B60R 19/00

See application file for complete search history.

(56) **References Cited**

U.S. PATENT DOCUMENTS

D267,864	S *	2/1983	Watanabe	D12/185
D310,345	S *	9/1990	Iacovelli	D12/185
5,120,082	A *	6/1992	Ito	B62D 25/18 280/848
5,407,229	A *	4/1995	Garrett	B62D 25/18 280/851
5,722,690	A *	3/1998	Ward	B62D 25/18 280/851
D415,460	S *	10/1999	Ward	D12/185
6,193,278	B1 *	2/2001	Ward	B62D 25/18 280/848
D579,836	S	11/2008	Vanaria		
D787,396	S	5/2017	Serbinski		
D808,314	S *	1/2018	Johnson	D12/185
D818,914	S *	5/2018	Johnson	D12/185

D826,120	S *	8/2018	DiCanzio	D12/185
10,252,753	B2 *	4/2019	Johnson	B62D 25/18
D850,342	S *	6/2019	DiCanzio	D12/185
10,829,161	B1 *	11/2020	Vu	B62D 25/18

(Continued)

OTHER PUBLICATIONS

Model Y Mud Flaps, Published Feb. 28, 2021 [online], [retrieved on Sep. 22, 2021]. Retrieved from the Internet: <https://www.youtube.com/watch?v=0APIjDglaRA> (Year: 2021).*

(Continued)

Primary Examiner — Cary M Robinson
Assistant Examiner — Adam C Mager

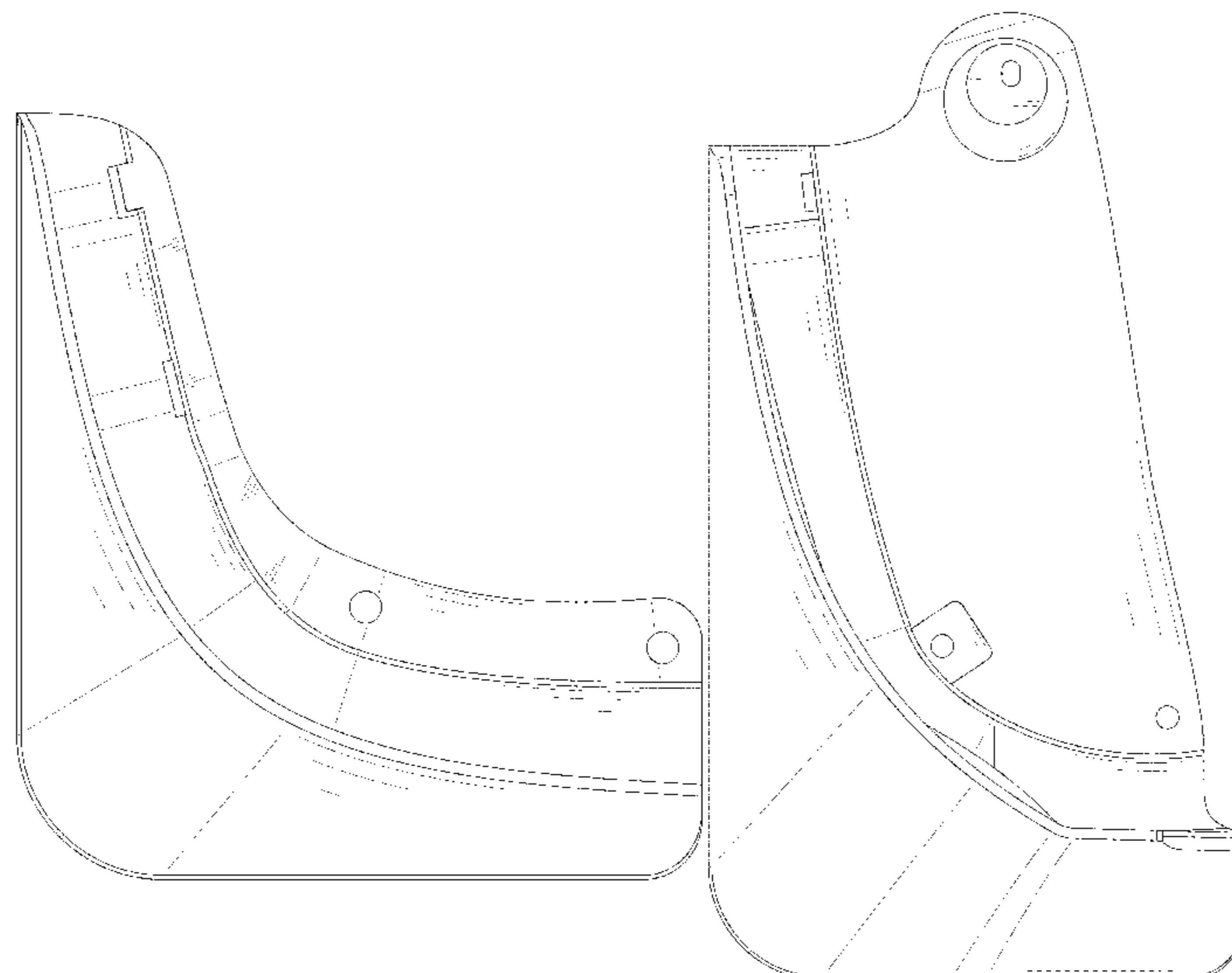
(57) **CLAIM**

The ornamental design for a car mud flap set, as shown and described.

DESCRIPTION

FIG. 1 is a perspective view of a first car mud flap of a car mud flap set, shown separately for ease of illustration; FIG. 2 is another perspective view thereof; FIG. 3 is a front elevational view thereof; FIG. 4 is a rear elevational view thereof; FIG. 5 is a left side elevational view thereof; FIG. 6 is a right side elevational view thereof; FIG. 7 is a top plan view thereof; FIG. 8 is a bottom plan view thereof; FIG. 9 is a perspective view of a second car mud flap of the car mud flap set, shown separately for ease of illustration; FIG. 10 is another perspective view thereof; FIG. 11 is a front elevational view thereof; FIG. 12 is a rear elevational view thereof; FIG. 13 is a left side elevational view thereof; FIG. 14 is a right side elevational view thereof; FIG. 15 is a top plan view thereof; and, FIG. 16 is a bottom plan view thereof.

1 Claim, 16 Drawing Sheets



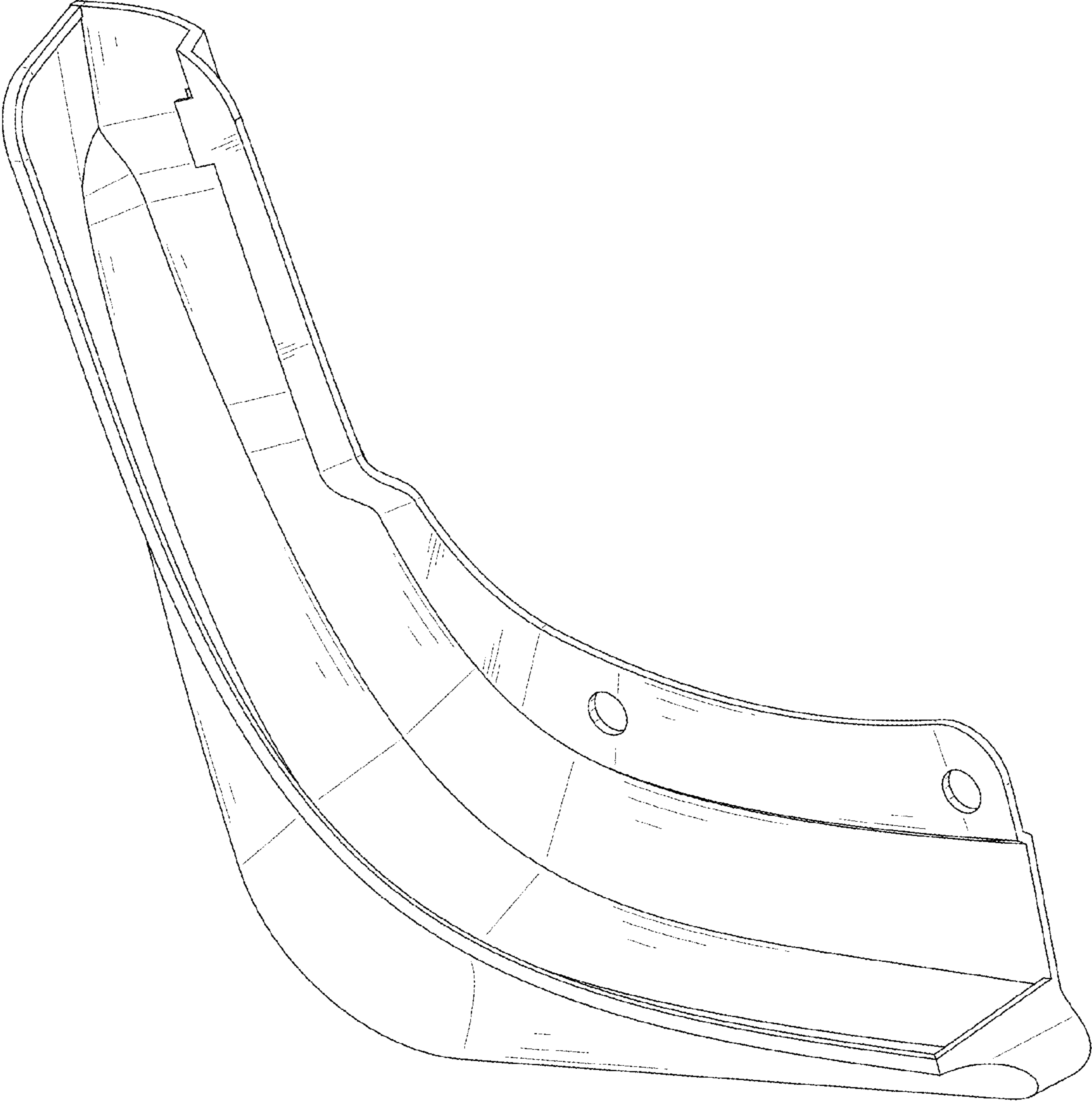


FIG. 1

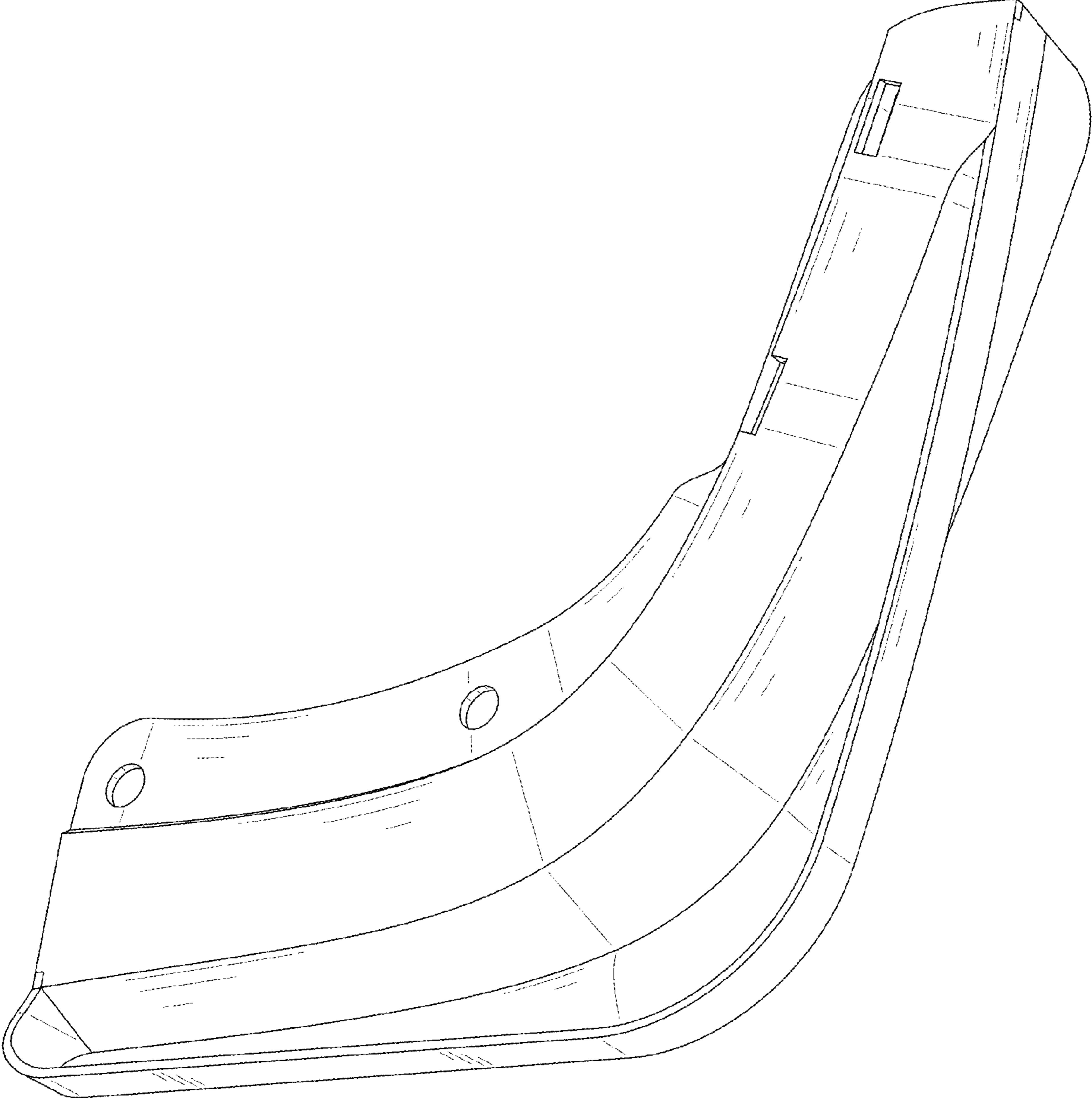


FIG. 2

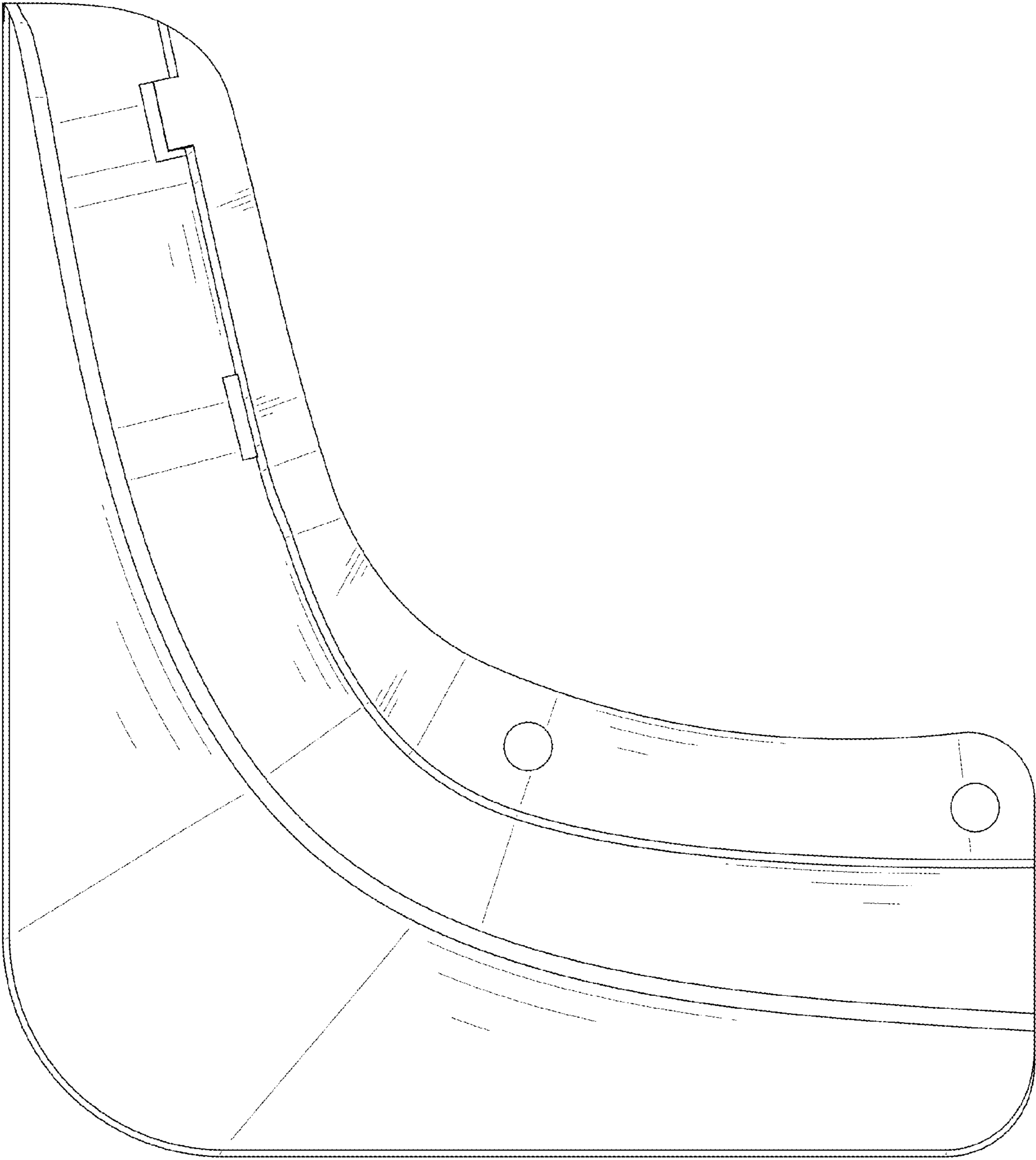


FIG. 3

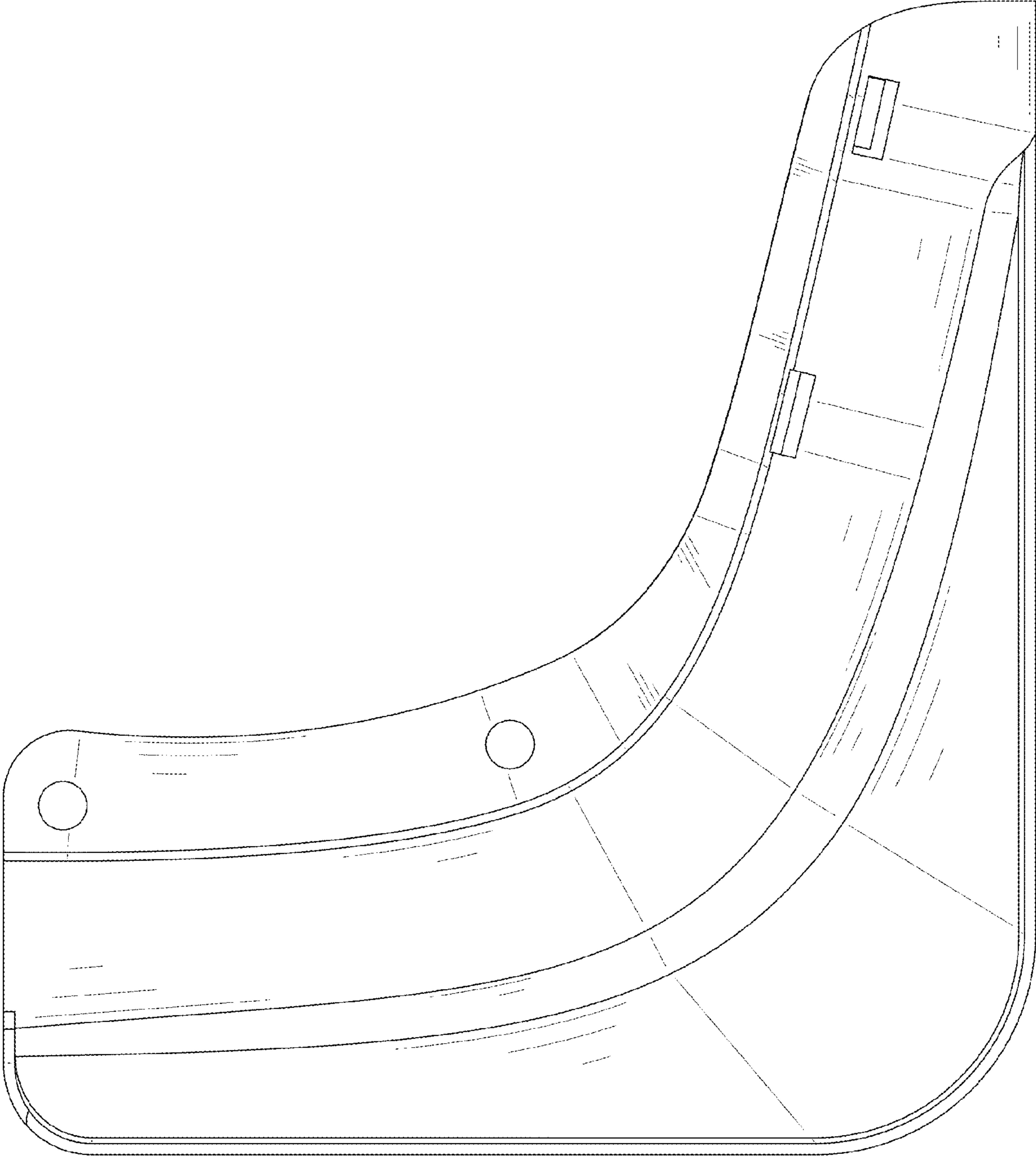


FIG. 4

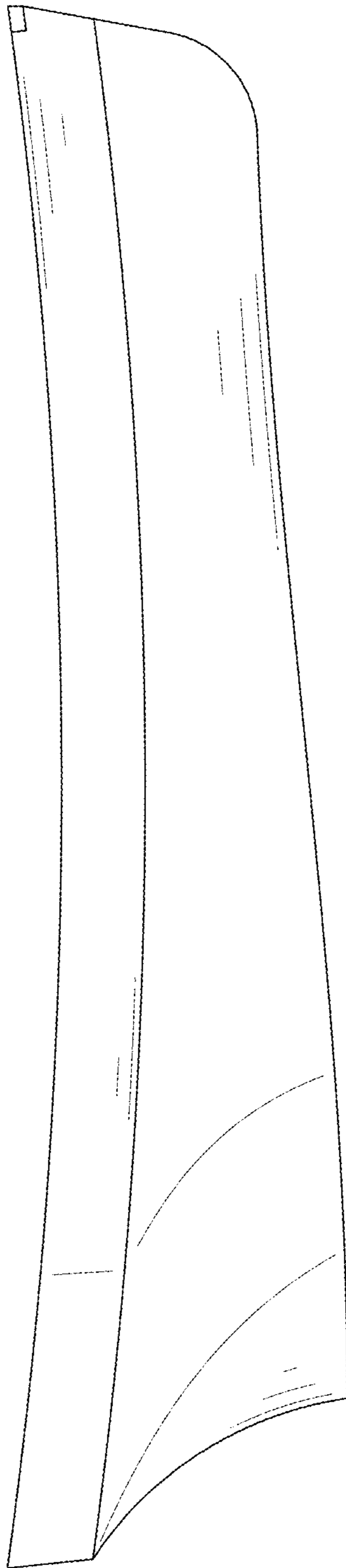


FIG. 5

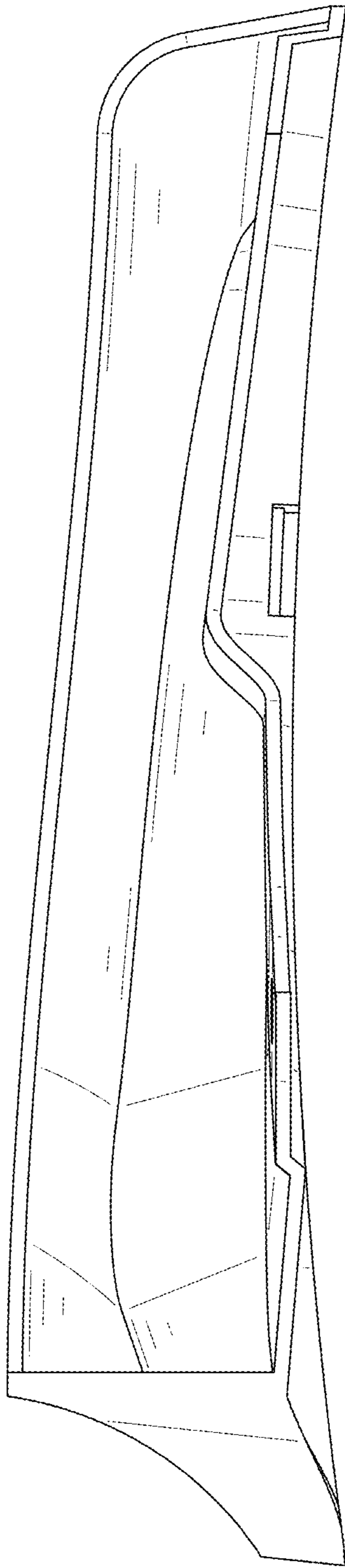


FIG. 6

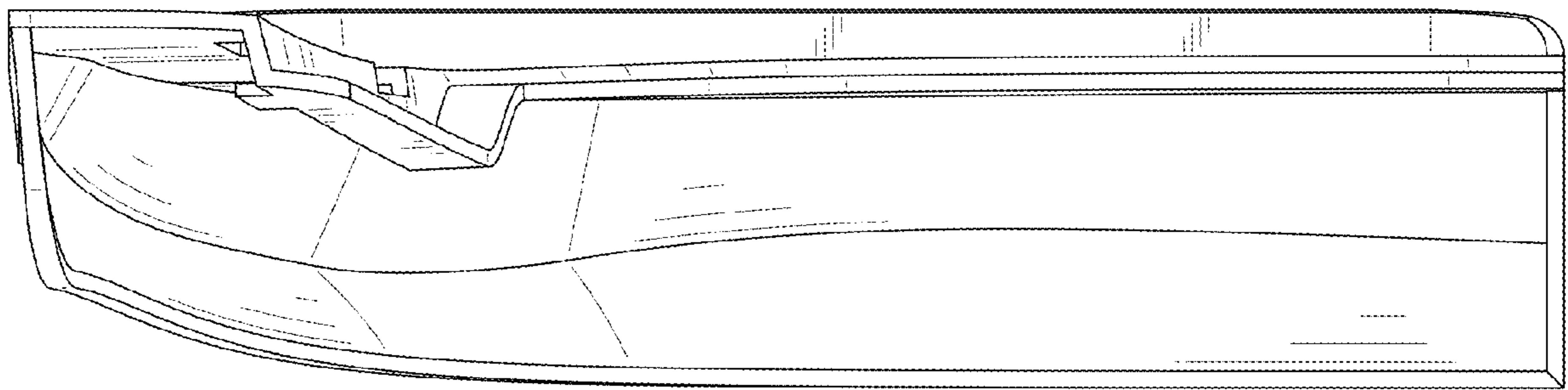


FIG. 7

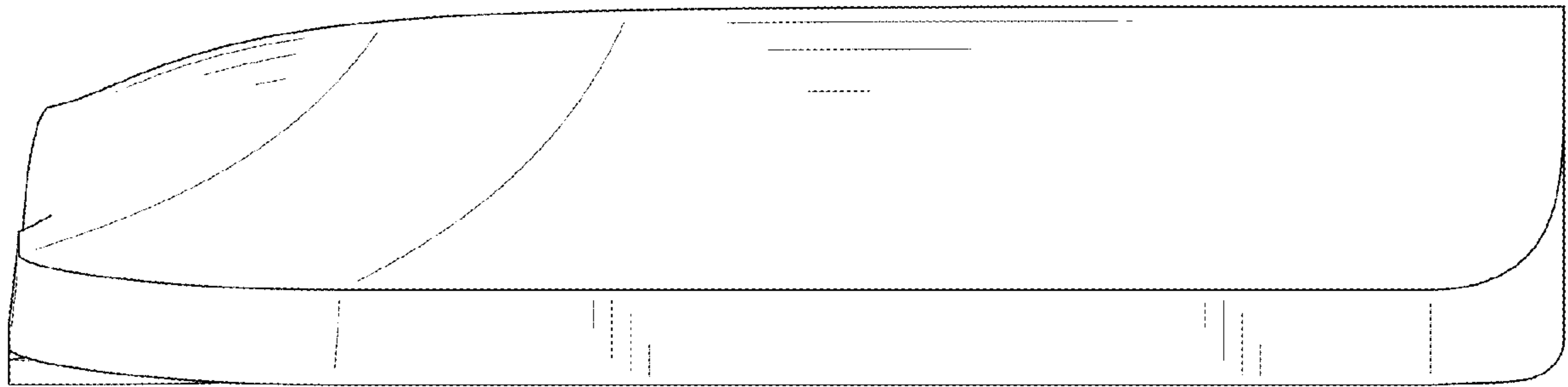


FIG. 8

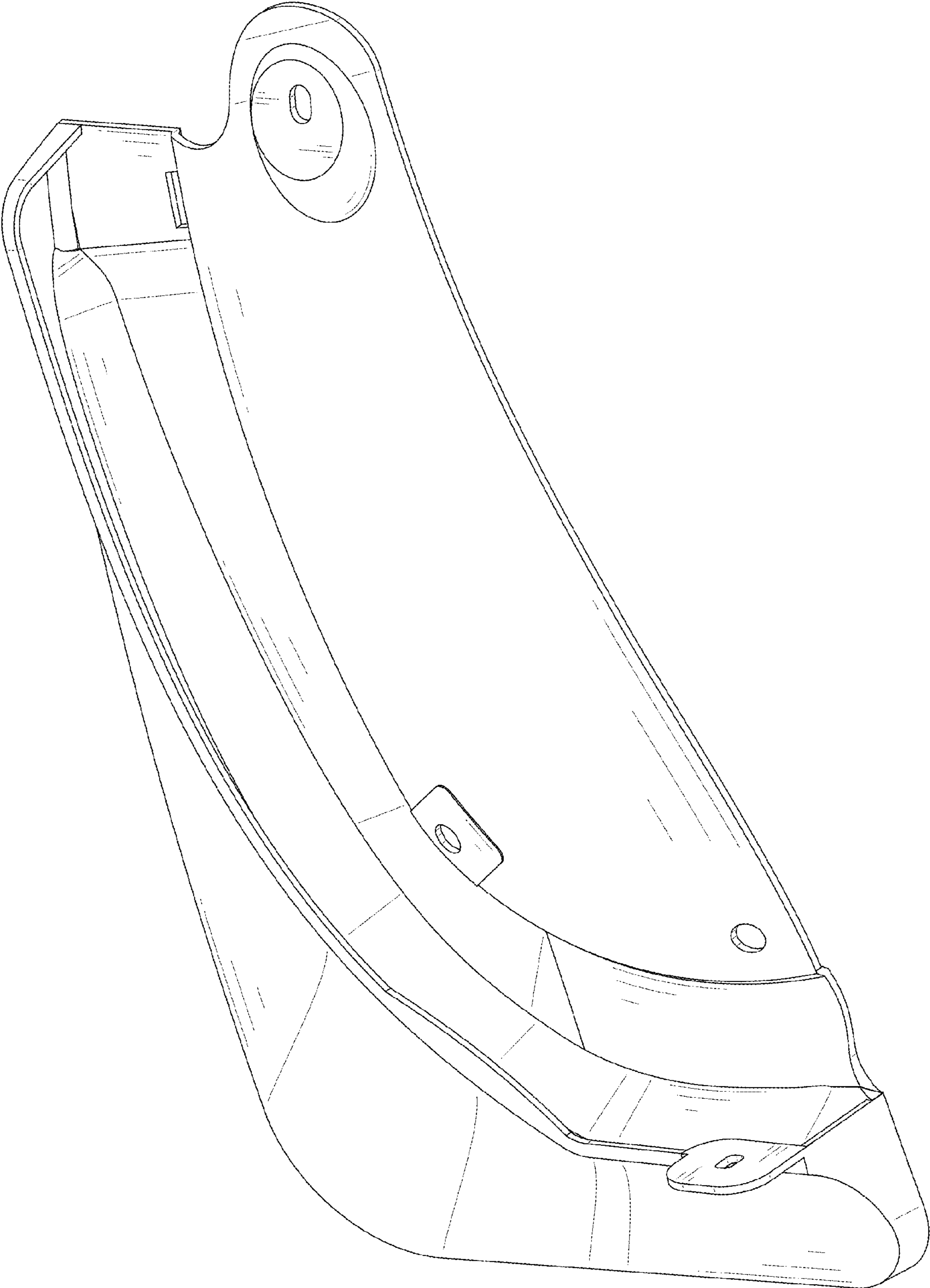


FIG. 9

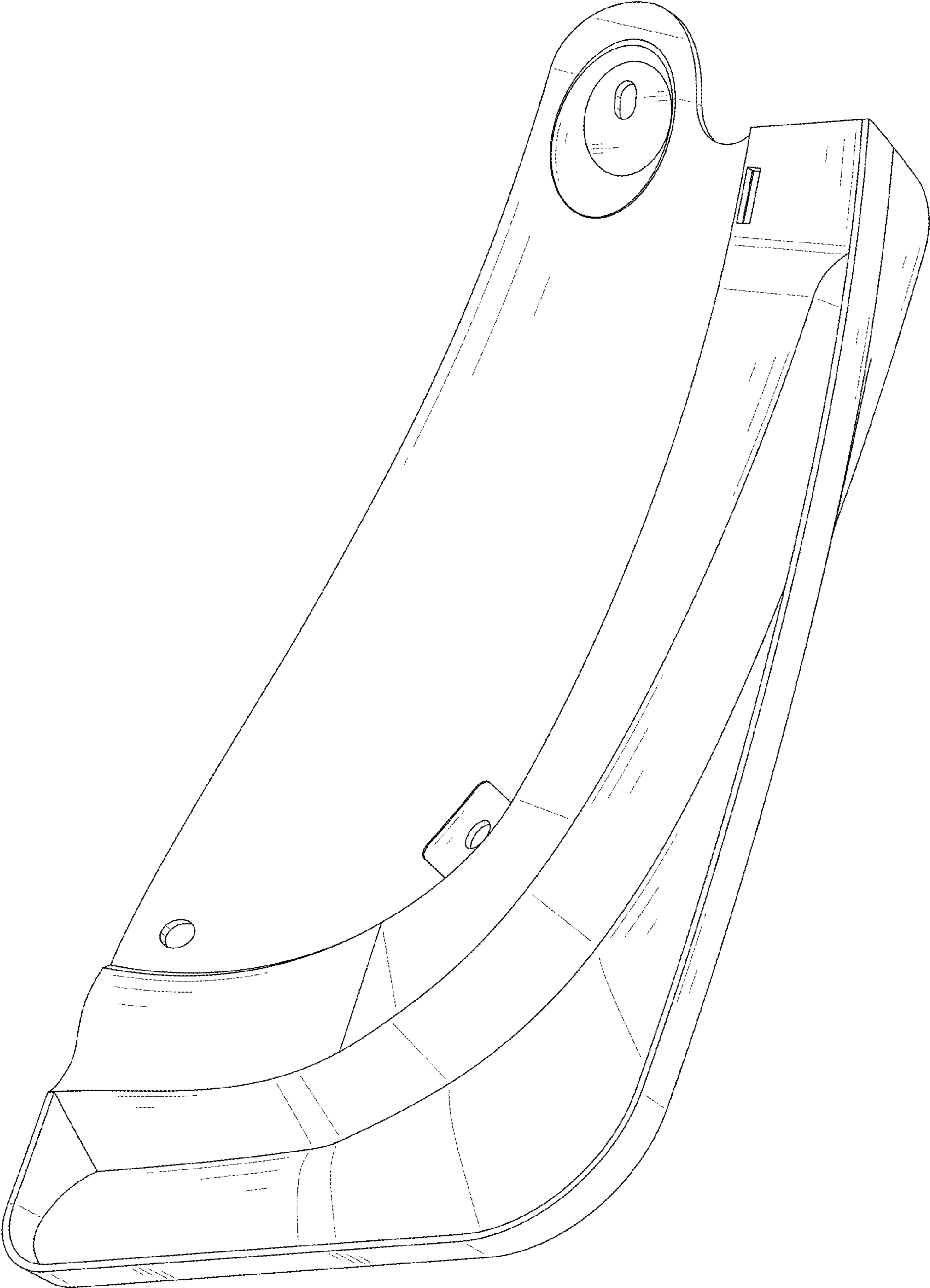


FIG. 10

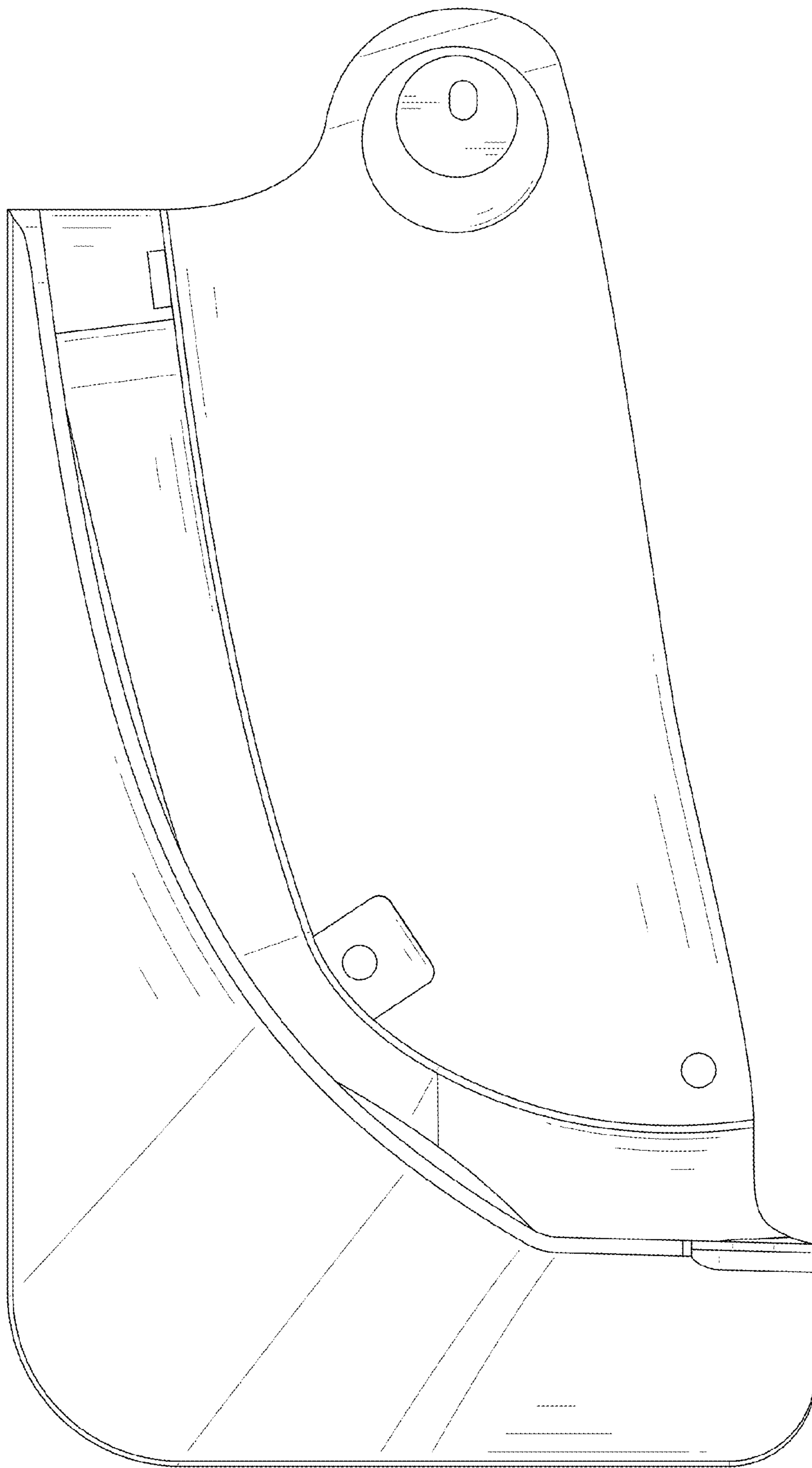


FIG. 11

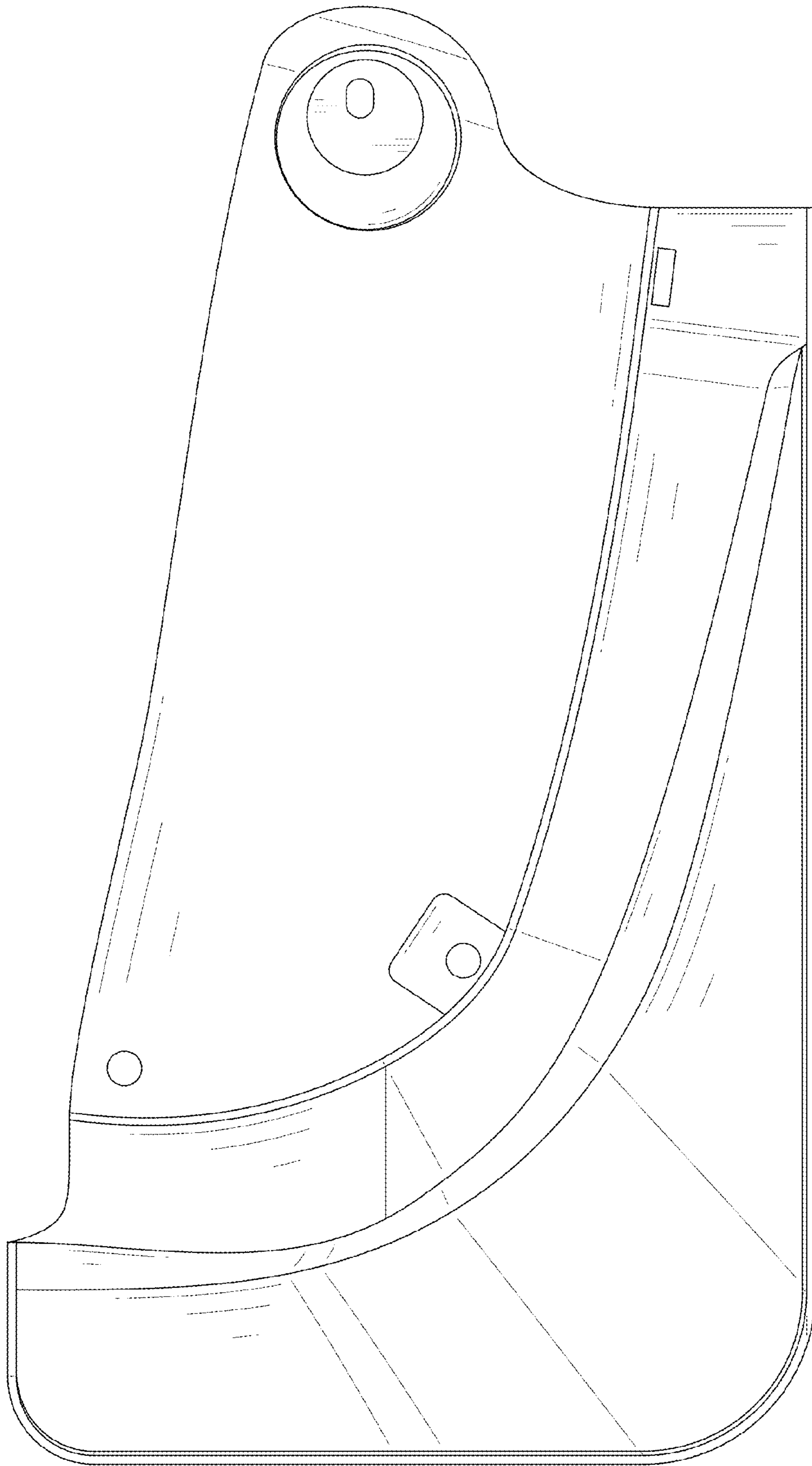


FIG. 12

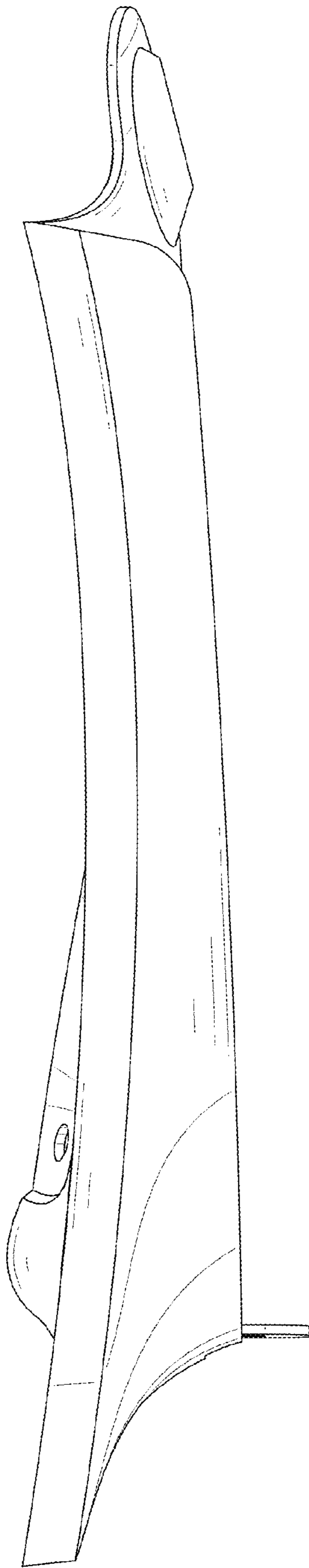


FIG. 13

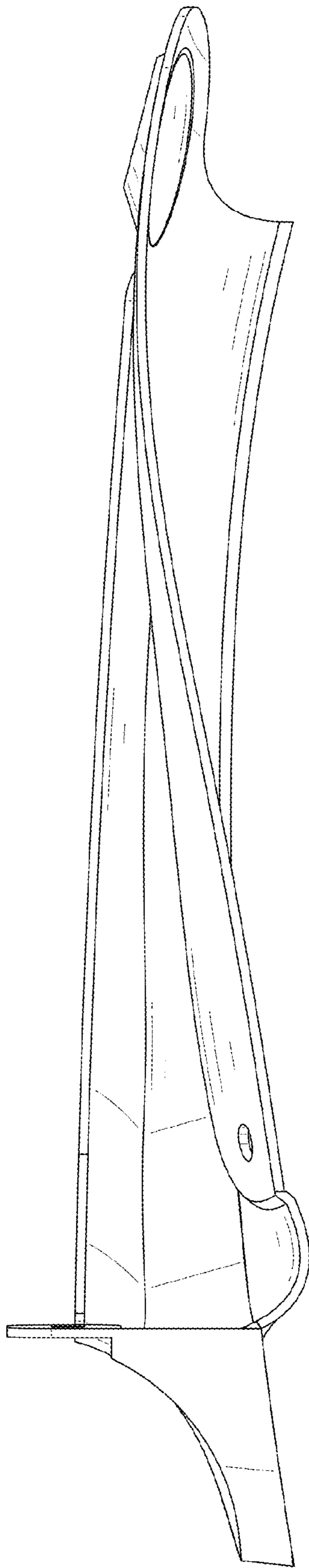


FIG. 14

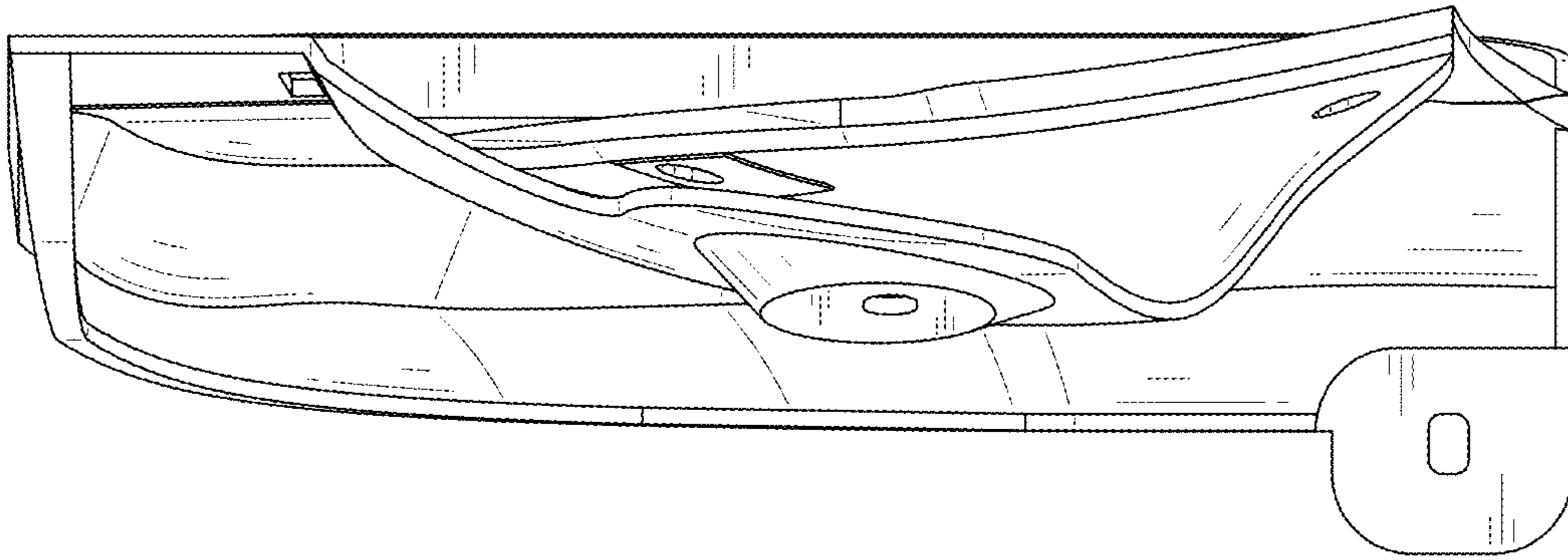


FIG. 15

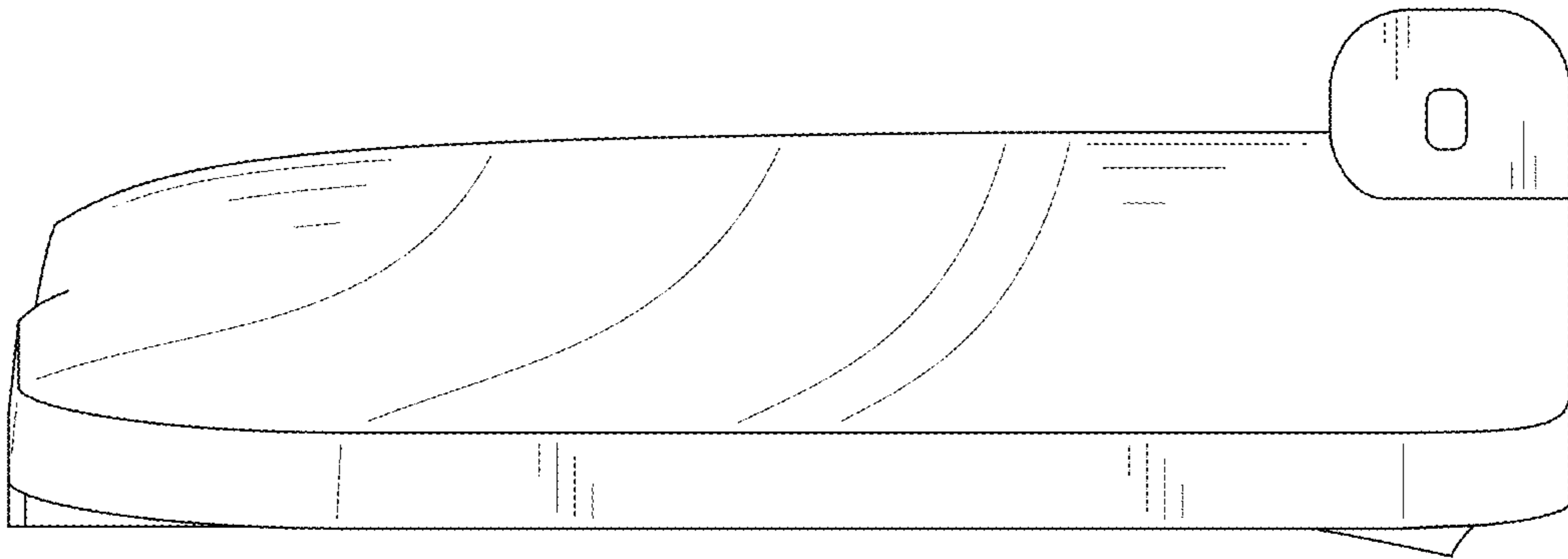


FIG. 16