



US00D944158S

(12) **United States Design Patent**  
**Zheng**

(10) **Patent No.:** **US D944,158 S**

(45) **Date of Patent:** **\*\* Feb. 22, 2022**

(54) **REAR WINDSHIELD ORNAMENT**

(71) Applicant: **Huidong Zheng**, Changzhou (CN)

(72) Inventor: **Huidong Zheng**, Changzhou (CN)

(\*\*) Term: **15 Years**

(21) Appl. No.: **29/767,142**

(22) Filed: **Jan. 20, 2021**

(51) **LOC (13) Cl.** ..... **12-16**

(52) **U.S. Cl.**  
USPC ..... **D12/183**

(58) **Field of Classification Search**  
USPC ..... D12/183, 182, 190, 191, 401, 404  
CPC ..... B60J 3/0204; B60J 1/2002; B60J 1/2005;  
B60J 1/20; B60J 3/0208; B60J 3/02  
See application file for complete search history.

D776,587 S *	1/2017	Nussbaumer	.....	D12/183
D778,794 S *	2/2017	Bouie	.....	D12/183
D797,622 S *	9/2017	Taylor	.....	D12/183
D801,244 S	10/2017	Shu		
D825,419 S	8/2018	Saporito		
D828,253 S	9/2018	Mao		
D904,254 S	12/2020	Saporito		
D910,515 S *	2/2021	Patel	.....	D12/183
D920,198 S *	5/2021	Jia	.....	D12/183

\* cited by examiner

*Primary Examiner* — Katrina A Betton

(74) *Attorney, Agent, or Firm* — Xiaofang Zhong; Law Office of Xiaofang Zhong, PLLC

(57) **CLAIM**

The ornamental design for a rear windshield ornament, as shown and described.

**DESCRIPTION**

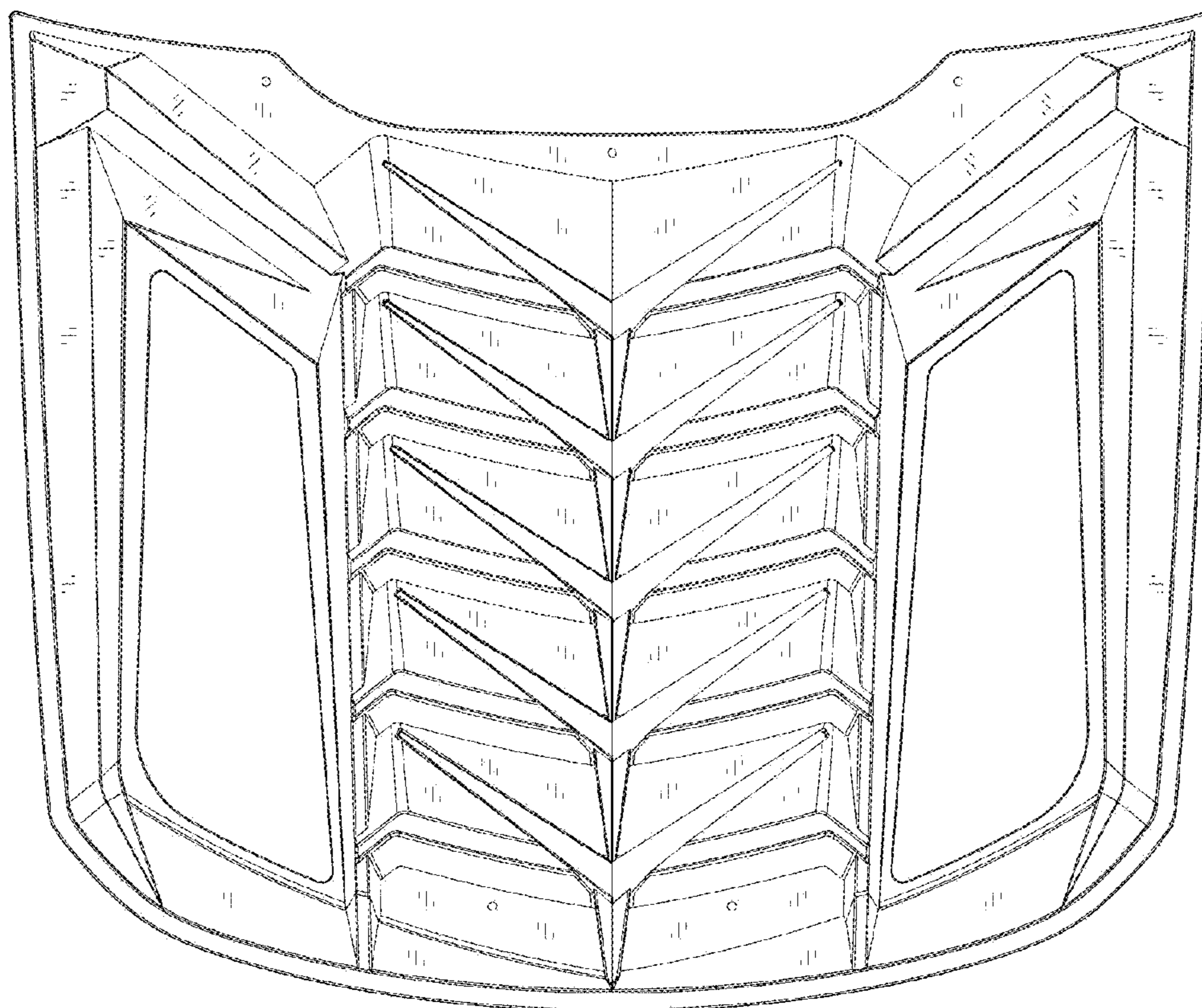
FIG. 1 is a perspective view of a rear windshield ornament showing my new design;  
FIG. 2 is another perspective view of the rear windshield ornament thereof;  
FIG. 3 is a front elevational view thereof;  
FIG. 4 is a back elevational view thereof;  
FIG. 5 is a right-side elevational view thereof;  
FIG. 6 is a left-side elevational view thereof;  
FIG. 7 is a top plan view thereof; and,  
FIG. 8 is a bottom plan view thereof.

(56) **References Cited**

**U.S. PATENT DOCUMENTS**

D374,855 S	10/1996	Lazzeroni		
D625,673 S	10/2010	Rodriguez		
D725,560 S *	3/2015	Mays	.....	D12/183
D733,020 S *	6/2015	Queen	.....	D12/183
D735,628 S *	8/2015	Eskandry	.....	D12/183
D746,192 S	12/2015	Balfour		
D750,259 S *	2/2016	Lau	.....	D24/183
D756,868 S *	5/2016	Shu	.....	D12/183
D757,618 S *	5/2016	Richardson	.....	D12/183
D773,969 S *	12/2016	Akins	.....	D12/183

**1 Claim, 6 Drawing Sheets**



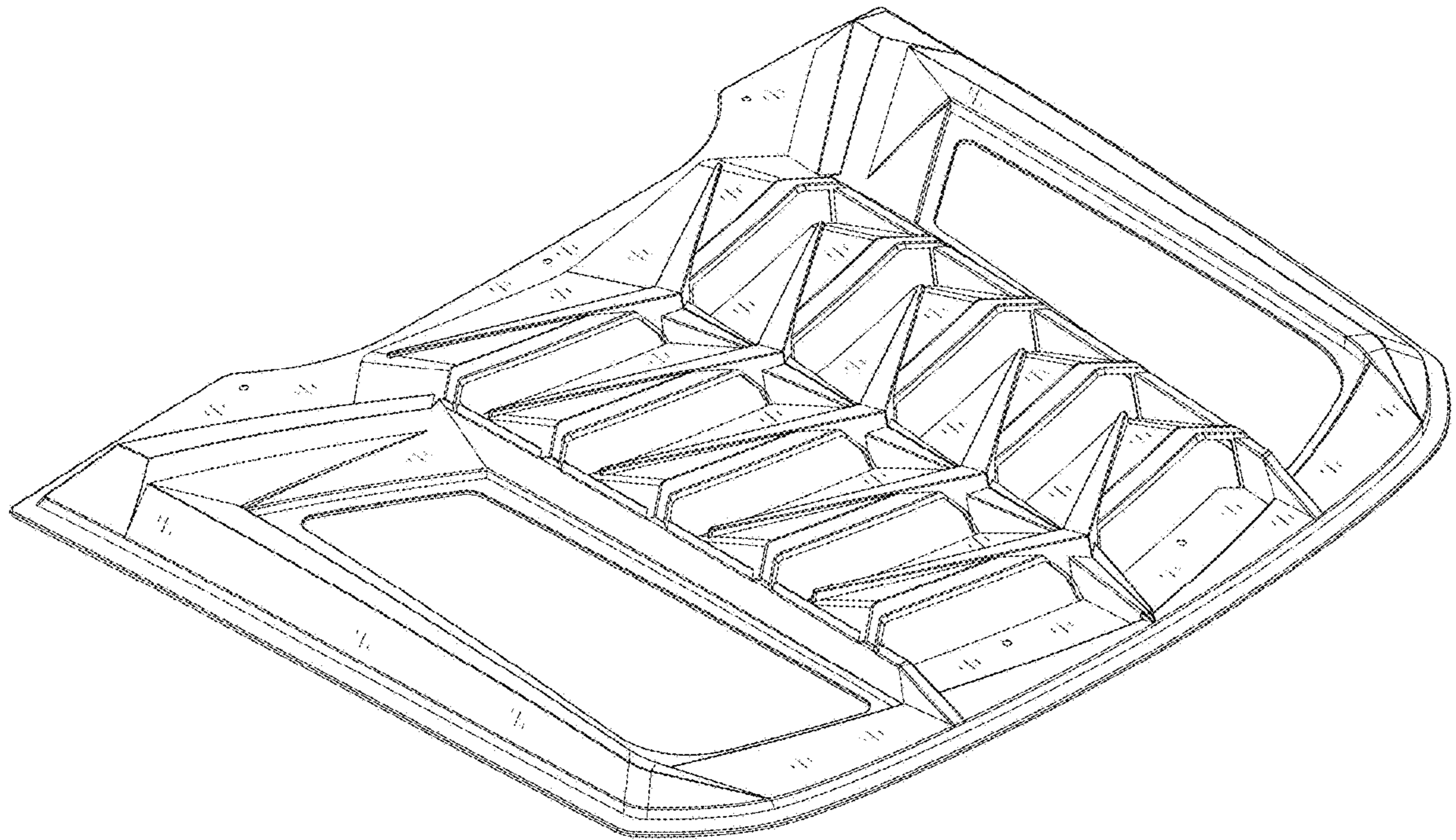


FIG. 1

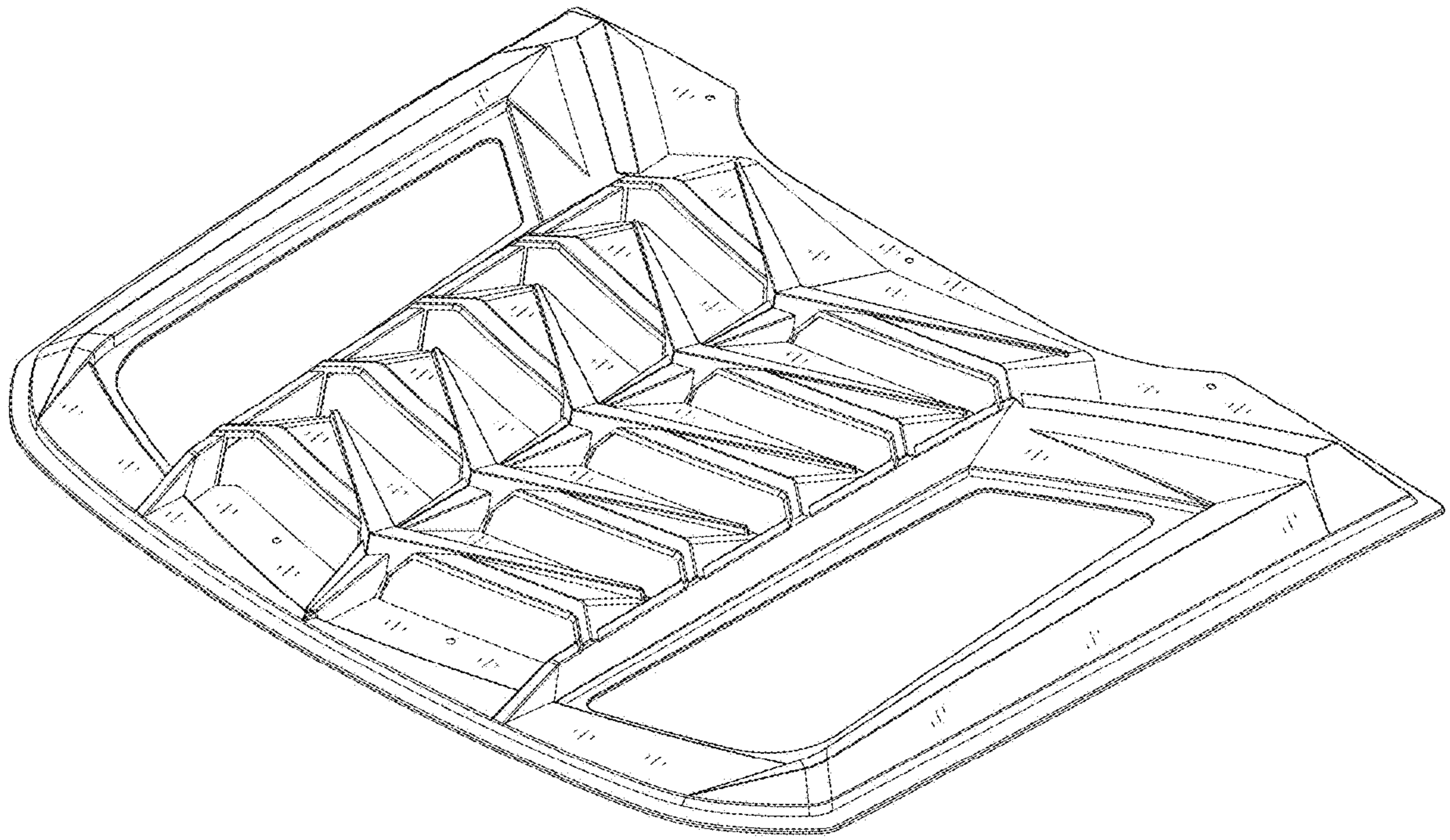


FIG. 2

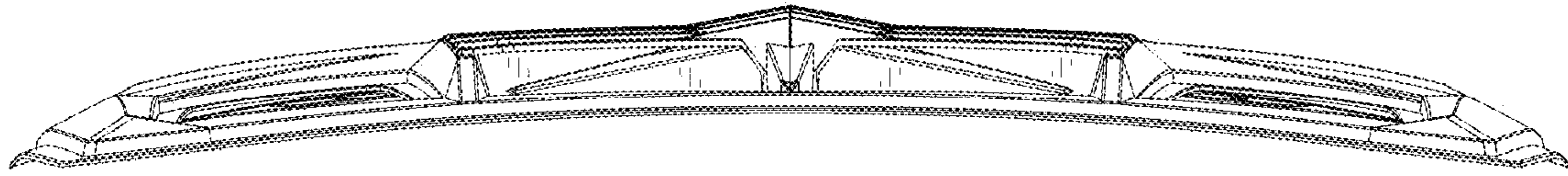


FIG. 3

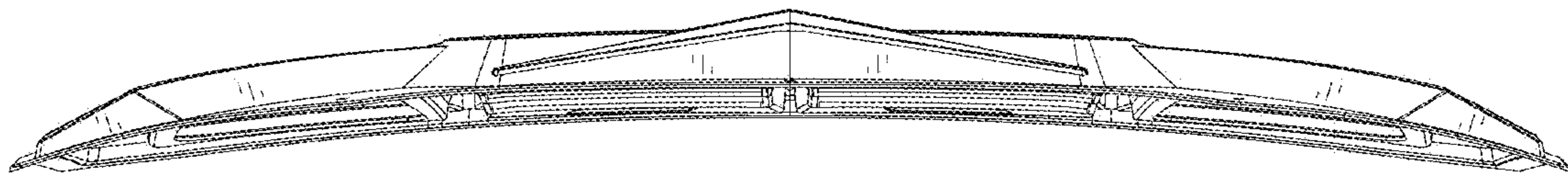


FIG. 4

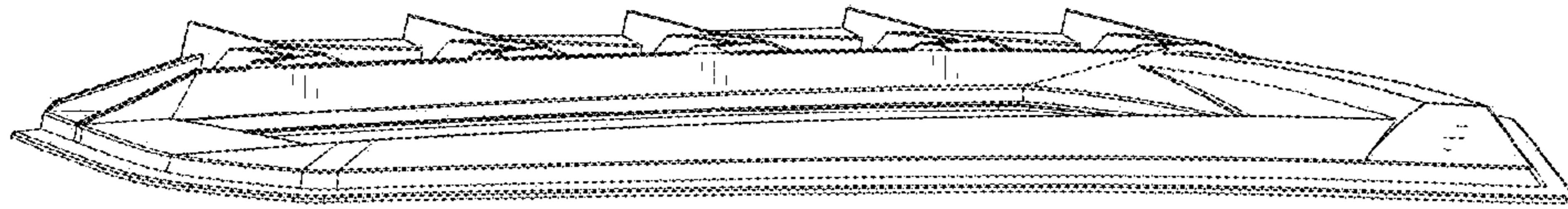


FIG. 5

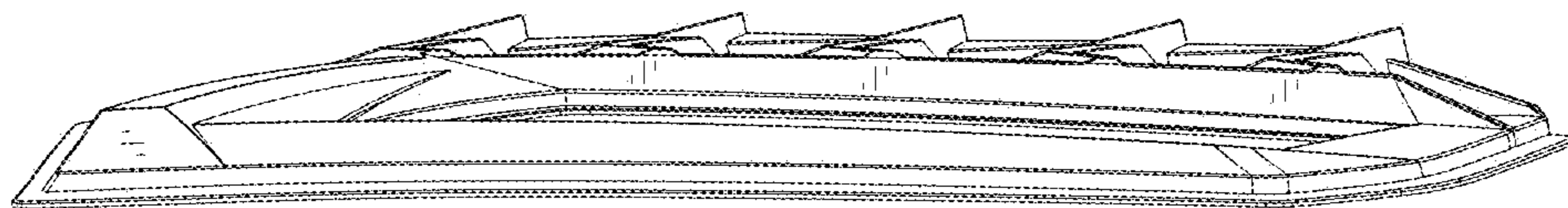


FIG. 6

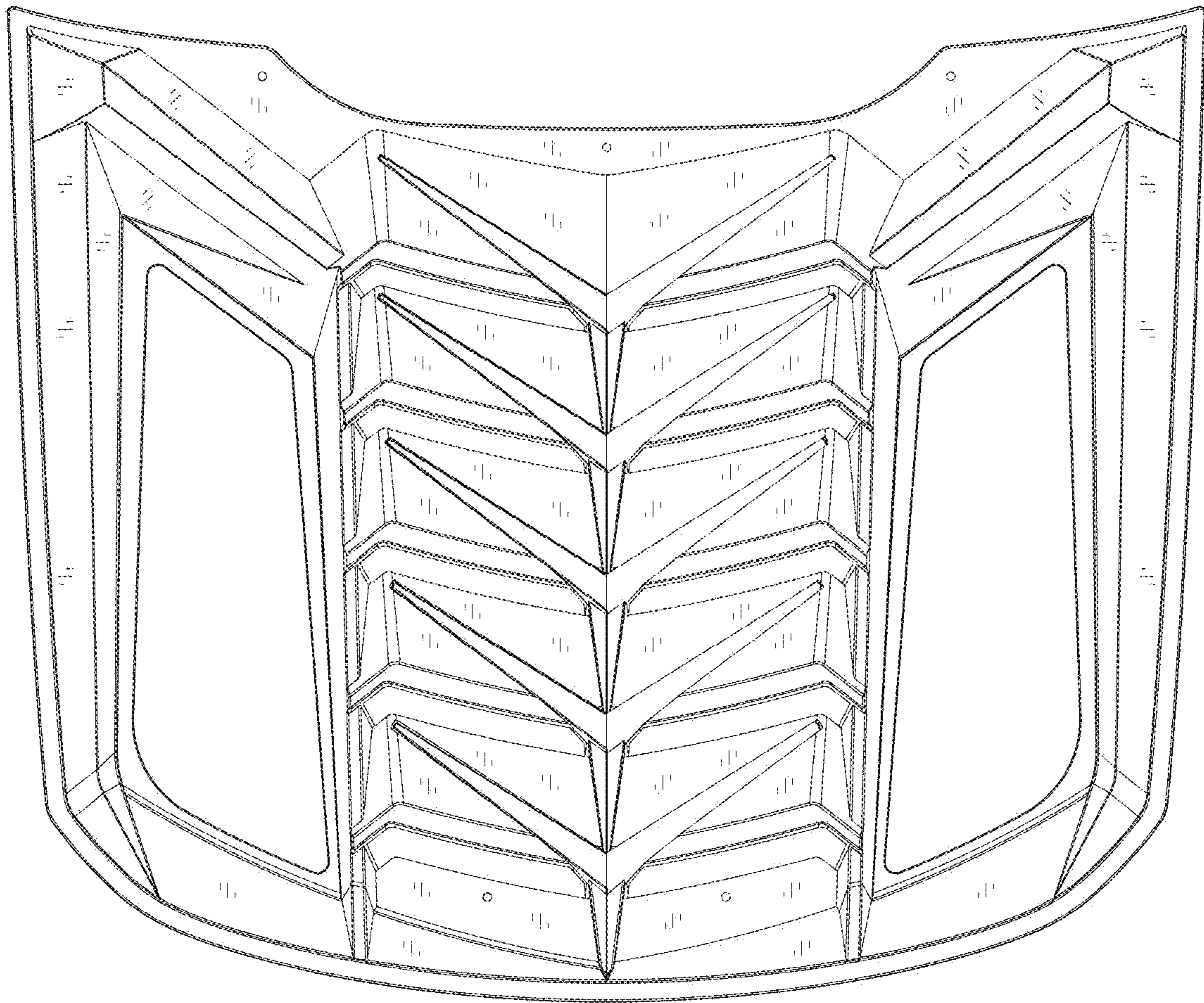


FIG. 7

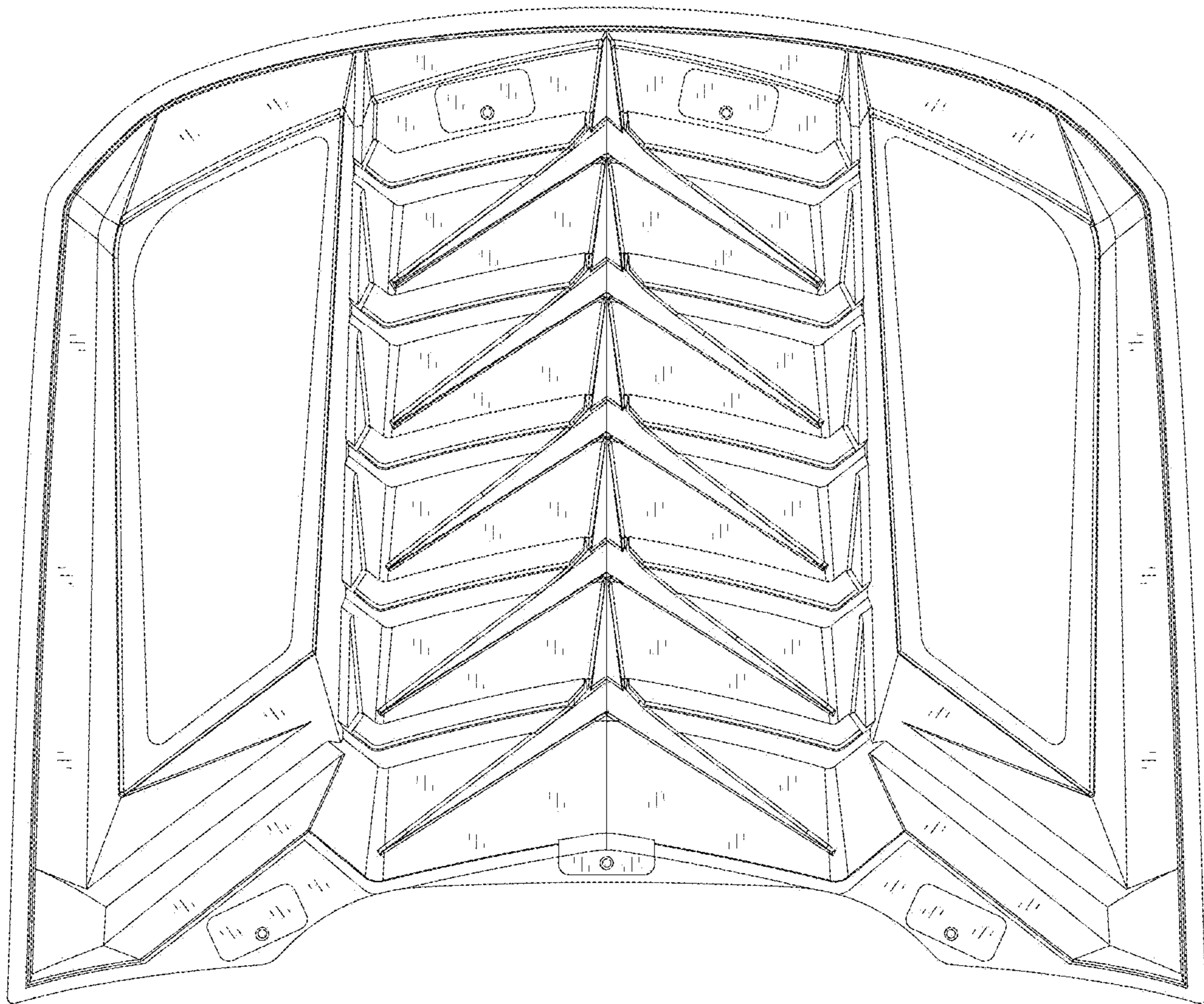


FIG. 8