



US00D944129S

(12) **United States Design Patent**  
**Son et al.**

(10) **Patent No.:** **US D944,129 S**

(45) **Date of Patent:** **\*\* Feb. 22, 2022**

(54) **ELECTRIC WHEELCHAIR**

(71) Applicant: **LG ELECTRONICS INC.**, Seoul (KR)

(72) Inventors: **Jungkyu Son**, Seoul (KR); **Jinwon Kang**, Seoul (KR); **Jinsu Kim**, Seoul (KR); **Hyon Kim**, Seoul (KR); **Hyesun Lee**, Seoul (KR)

(73) Assignee: **LG ELECTRONICS INC.**, Seoul (KR)

(\*\*) Term: **15 Years**

(21) Appl. No.: **29/732,482**

(22) Filed: **Apr. 24, 2020**

(30) **Foreign Application Priority Data**

Nov. 14, 2019 (KR) ..... 30-2019-0054433

(51) **LOC (13) Cl.** ..... **12-12**

(52) **U.S. Cl.**  
USPC ..... **D12/131**

(58) **Field of Classification Search**  
USPC ..... D12/128, 129, 130, 131, 132, 133;  
D21/686, 687, 689, 690, 691  
CPC . A61G 5/00; A61G 5/02; A61G 5/021; A61G 5/022; A61G 5/04; A61G 5/041; A61G 5/042; A61G 5/043; A61G 5/045; A61G 5/046; A61G 5/047; A61G 5/048; A61G 5/10; A61G 5/128

See application file for complete search history.

(56) **References Cited**

U.S. PATENT DOCUMENTS

D322,050 S	*	12/1991	Kataoka	.....	D12/1
D377,325 S	*	1/1997	Brown	.....	D12/16
D454,814 S	*	3/2002	Ou	.....	D12/128
D525,569 S	*	7/2006	Azuma	.....	D12/133
D590,751 S	*	4/2009	Yang	.....	D12/128
D833,917 S	*	11/2018	Jiang	.....	D12/128
D848,317 S	*	5/2019	Sugie	.....	D12/131

FOREIGN PATENT DOCUMENTS

KR 20210060066 A \* 5/2021 ..... A61G 5/1075

\* cited by examiner

*Primary Examiner* — Cary M Robinson

*Assistant Examiner* — Adam C Mager

(74) *Attorney, Agent, or Firm* — Birch, Stewart, Kolasch & Birch, LLP

(57) **CLAIM**

We claim the ornamental design for an electric wheelchair, as shown and described.

**DESCRIPTION**

FIG. 1 is a front perspective view of an electric wheelchair showing the new design;

FIG. 2 is a rear perspective view thereof;

FIG. 3 is a front elevation view thereof;

FIG. 4 is a rear elevation view thereof;

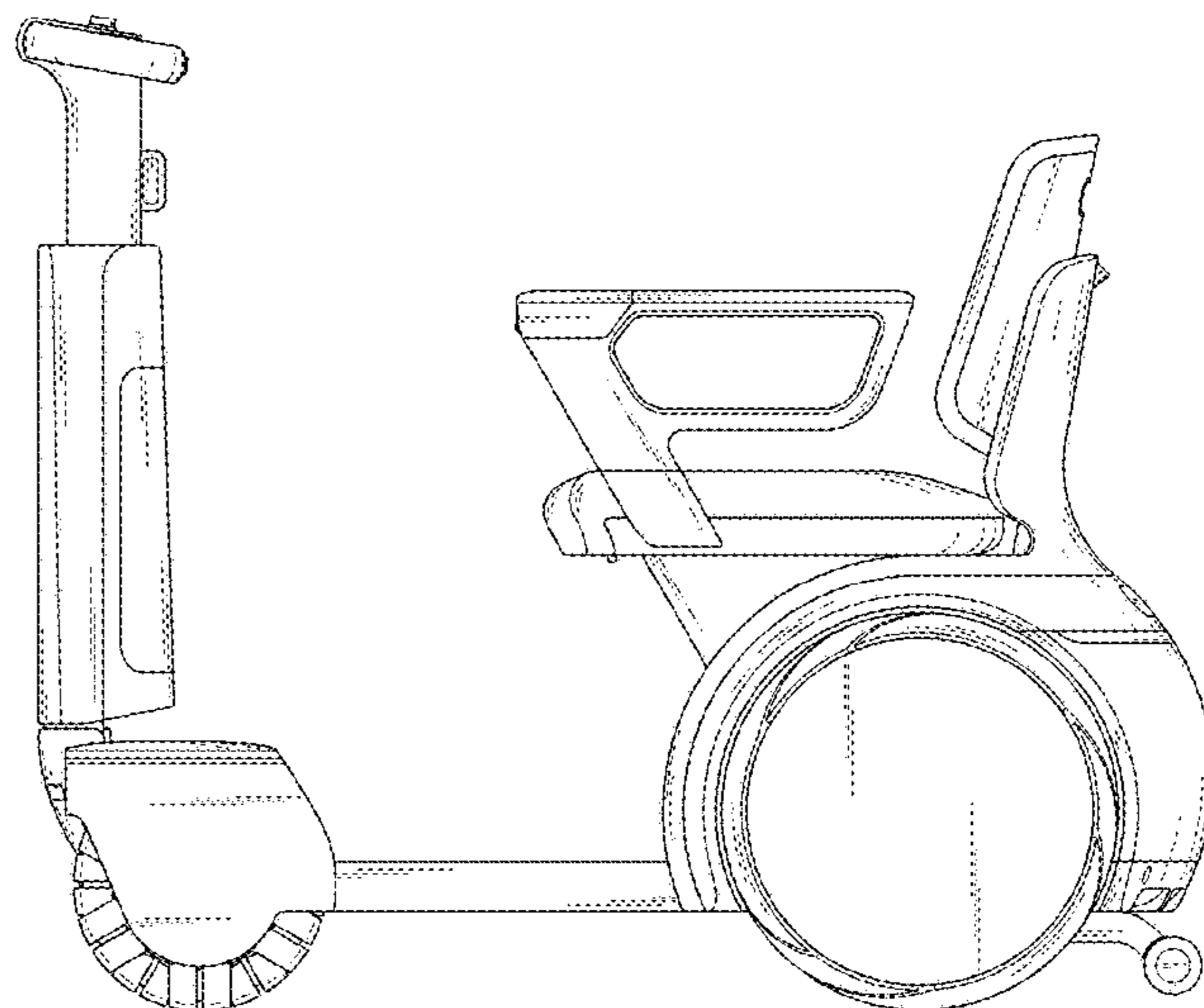
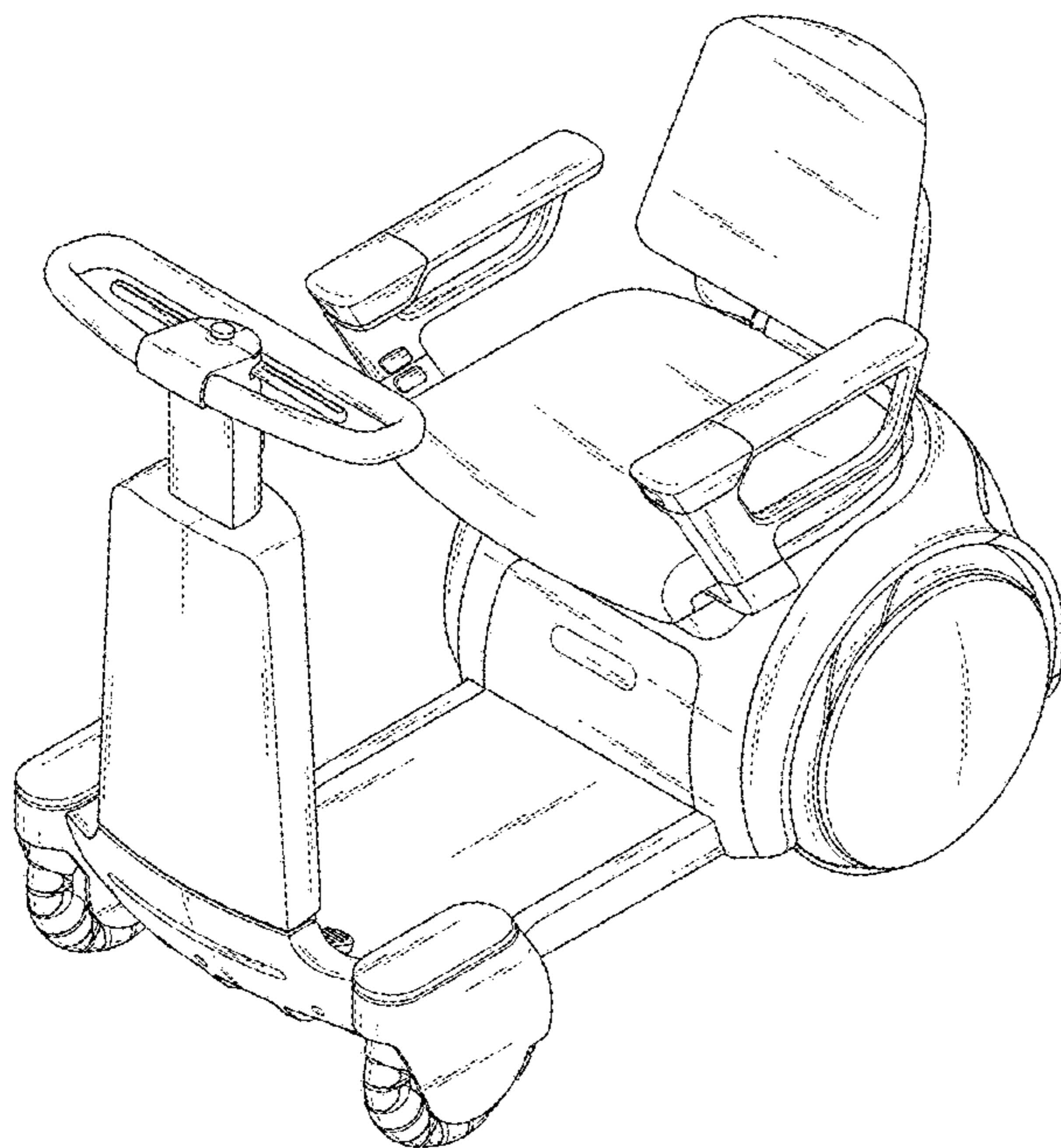
FIG. 5 is a left-side elevation view thereof;

FIG. 6 is a right-side elevation view thereof;

FIG. 7 is a top plan view thereof; and,

FIG. 8 is a bottom plan view thereof.

**1 Claim, 8 Drawing Sheets**



*FIG. 1*

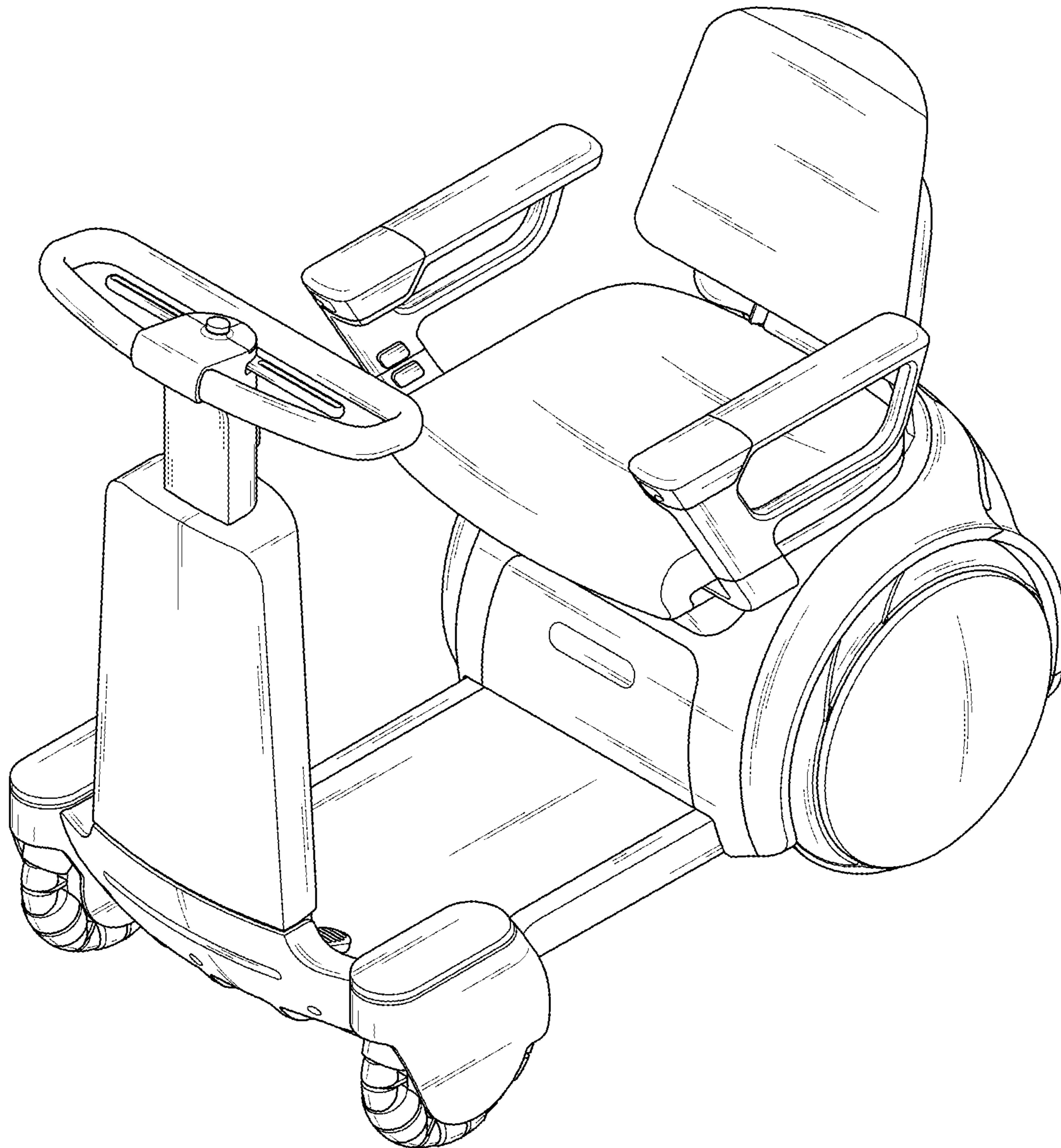
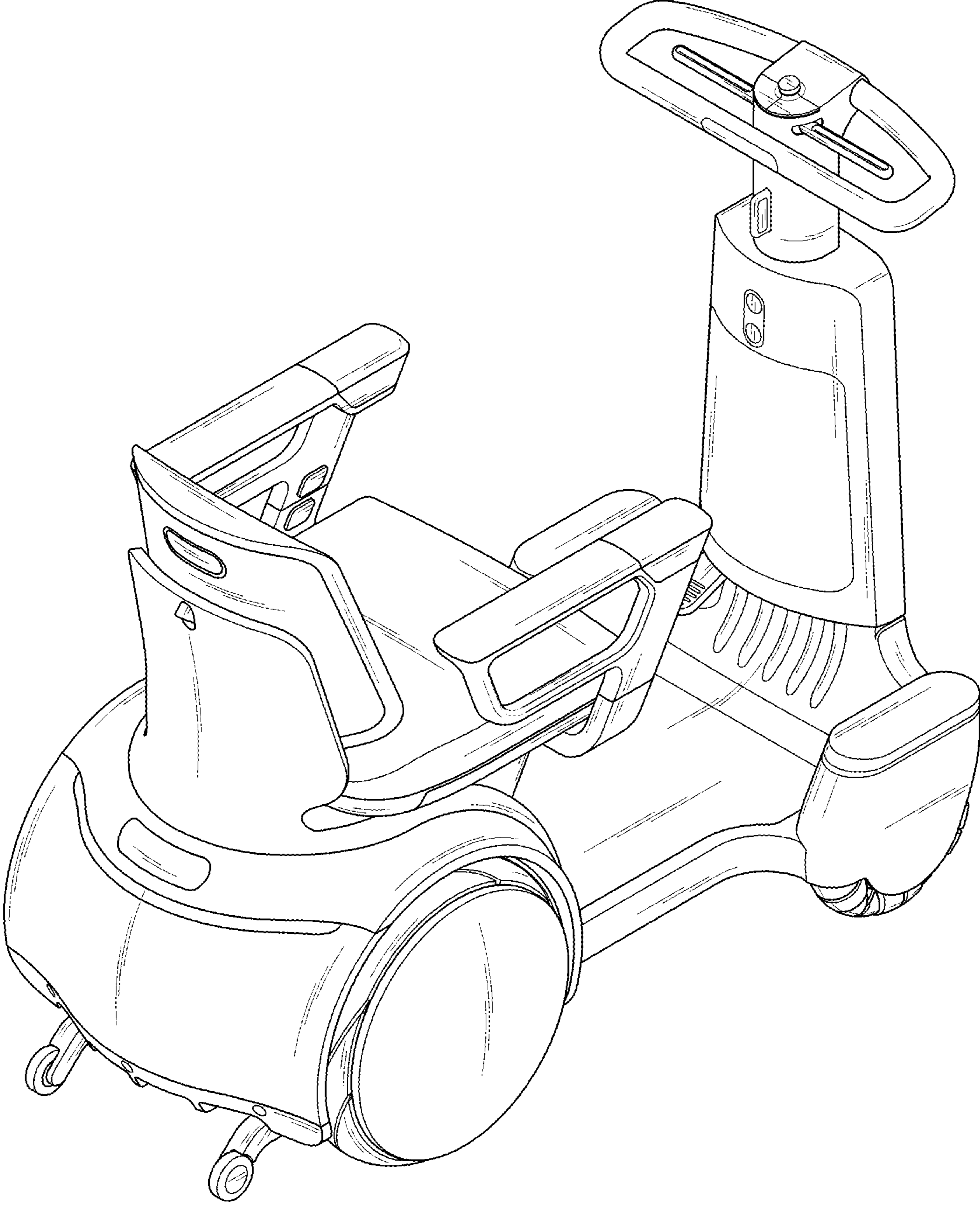
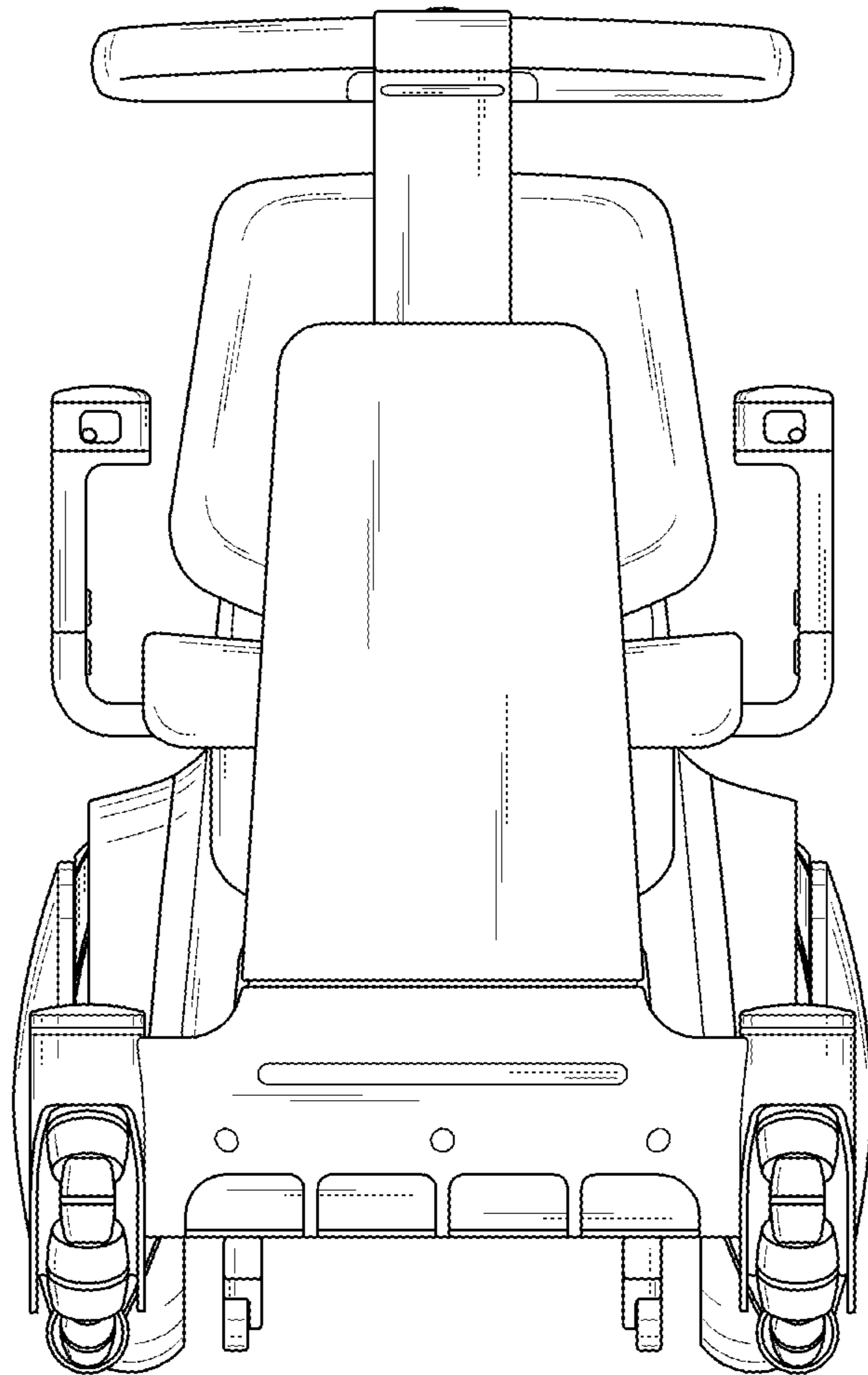


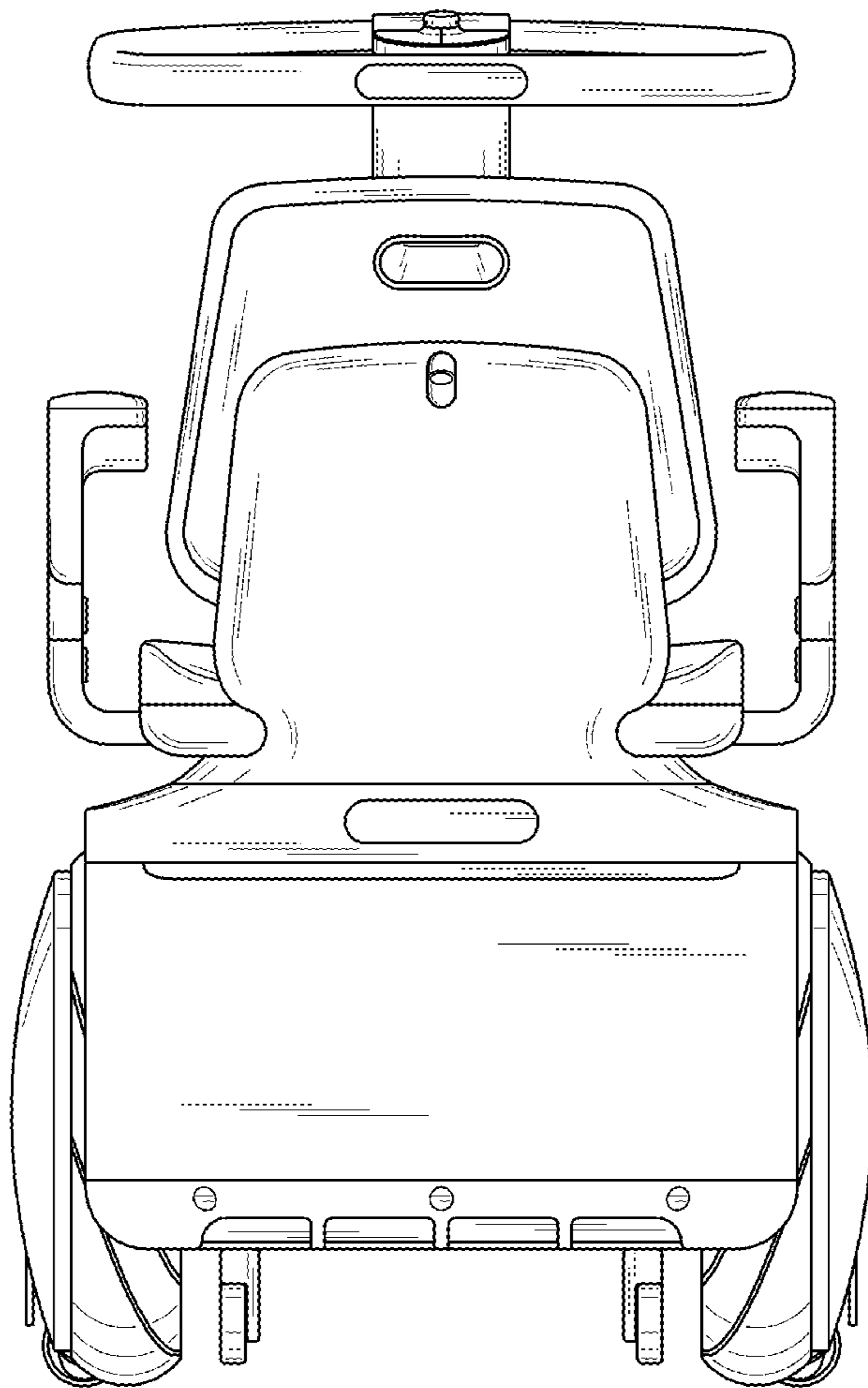
FIG. 2



*FIG. 3*



*FIG. 4*



*FIG. 5*

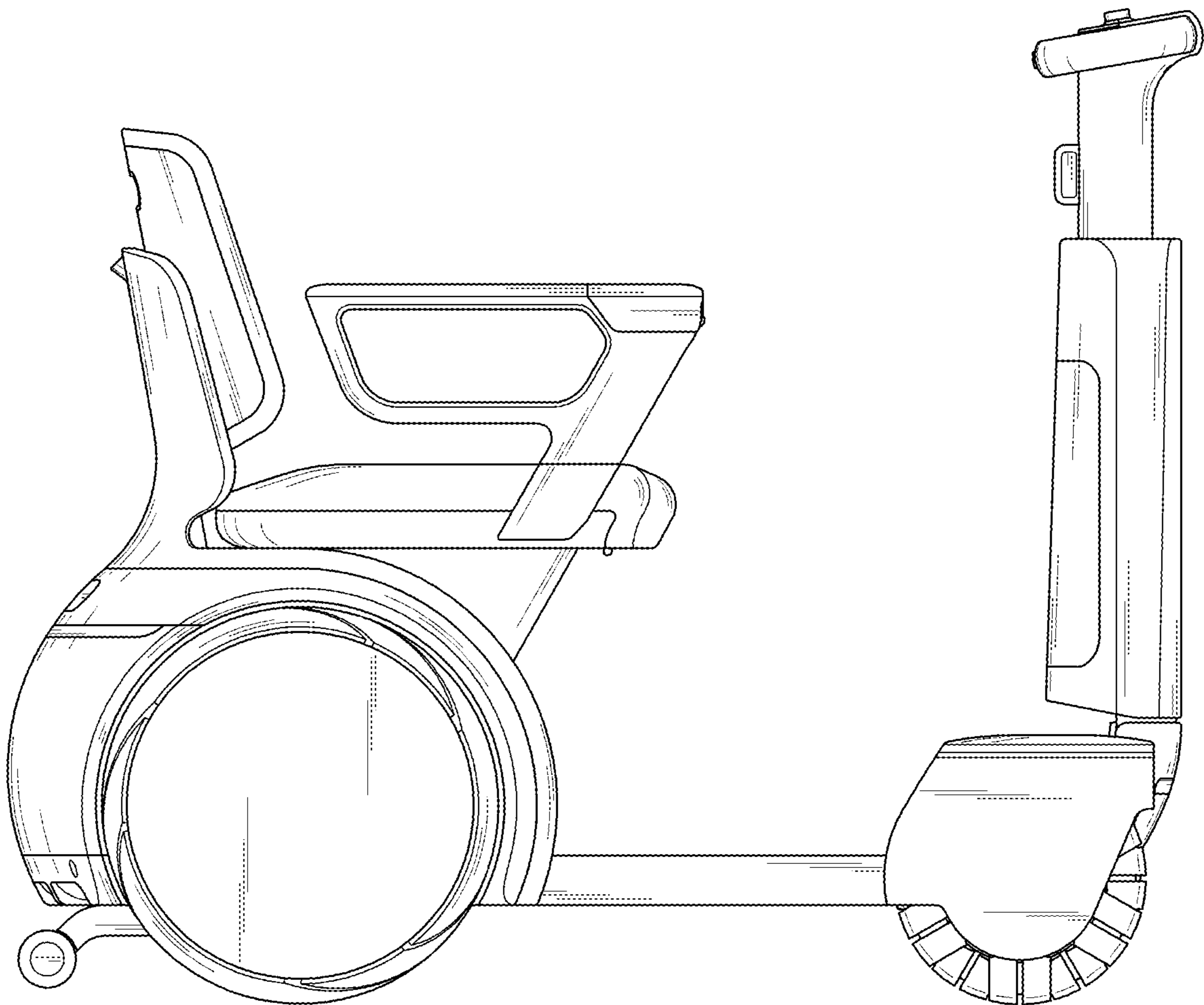
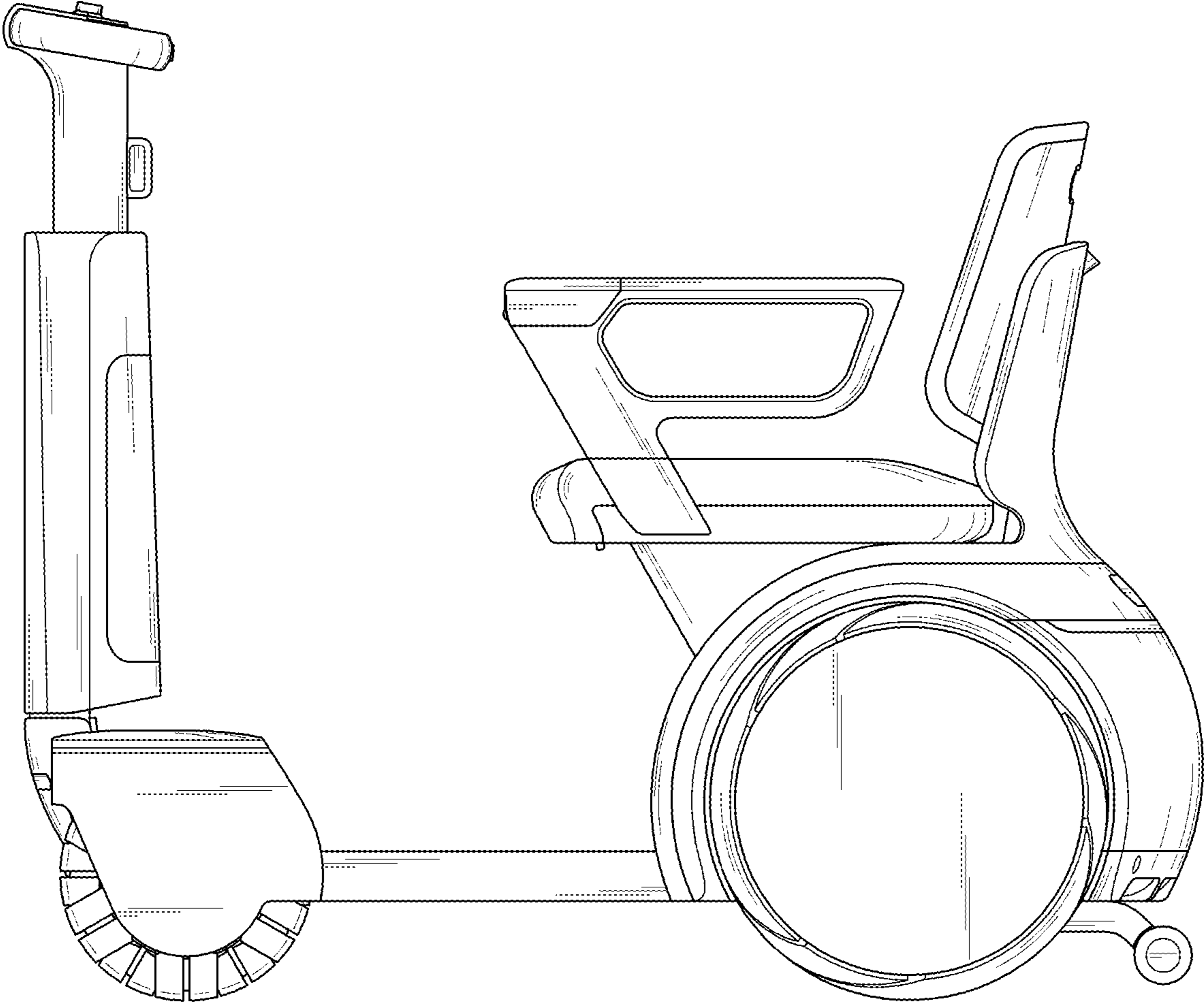
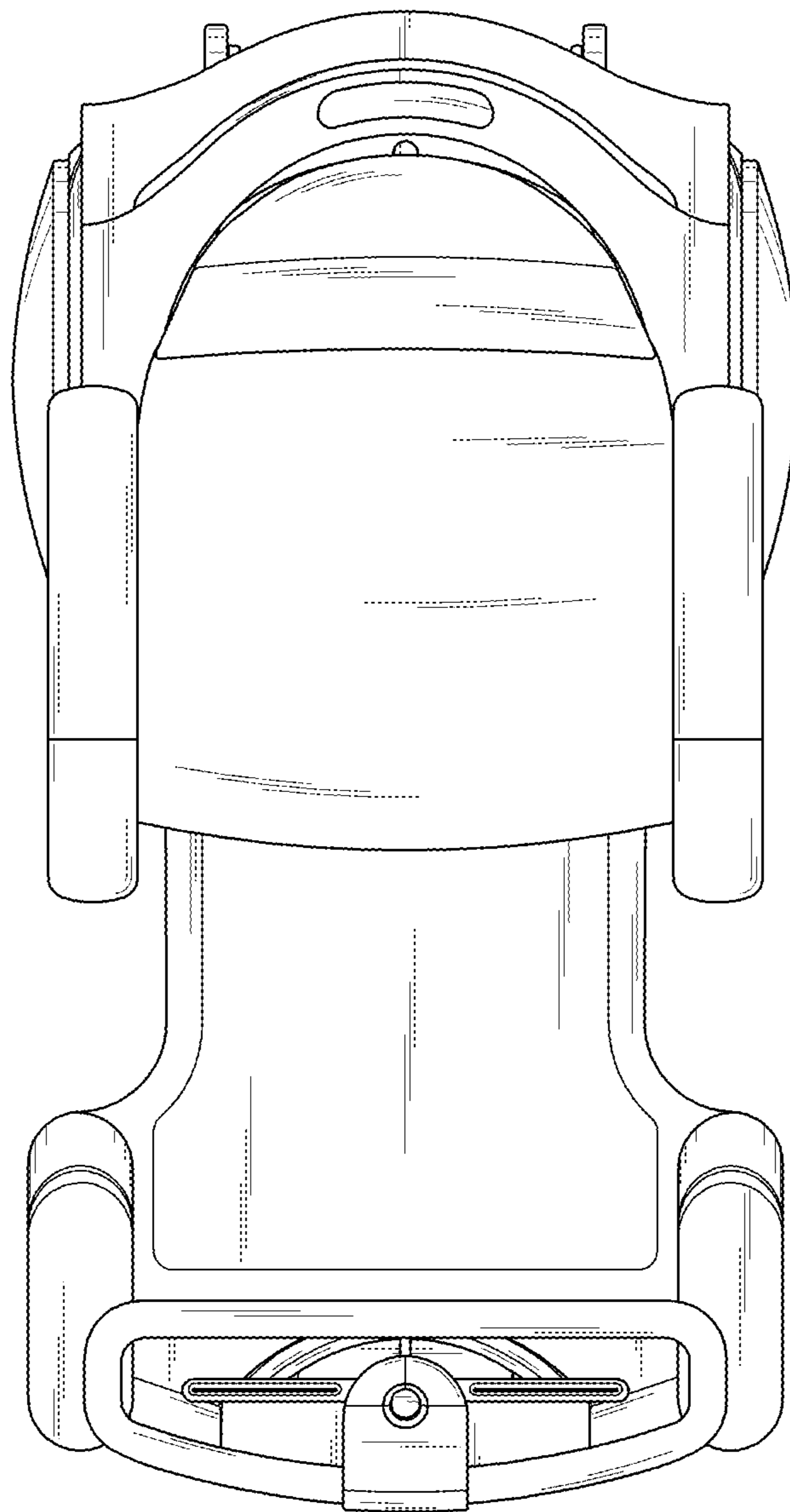


FIG. 6



*FIG. 7*





*FIG. 8*

