



US00D944128S

(12) **United States Design Patent** (10) **Patent No.:** **US D944,128 S**  
**FitzPatrick et al.** (45) **Date of Patent:** **\*\* Feb. 22, 2022**

- (54) **ROLLATOR**
- (71) Applicant: **Avenue Mobility Ltd**, Greenwich, CT (US)
- (72) Inventors: **Helen Ix FitzPatrick**, Greenwich, CT (US); **Kenneth A Tarlow**, San Rafael, CA (US)
- (73) Assignee: **Avenue Mobility Ltd.**, Greenwich, CT (US)
- (\*\*) Term: **15 Years**
- (21) Appl. No.: **29/751,363**
- (22) Filed: **Sep. 21, 2020**

D789,255	S *	6/2017	Delatorre	.....	D12/130
9,687,411	B2 *	6/2017	Chen	.....	A61H 3/04
D798,778	S *	10/2017	Lin	.....	D12/130
D816,556	S *	5/2018	Parr	.....	D12/130
D819,503	S *	6/2018	Huang	.....	D12/130
D836,499	S *	12/2018	Delatorre	.....	D12/130
D837,697	S *	1/2019	Luo	.....	D12/130
D845,841	S *	4/2019	No-Young	.....	D12/130
10,470,966	B1	11/2019	Smith Swerdlow		
D869,347	S *	12/2019	Huang	.....	D12/130
D897,243	S *	9/2020	Tsai	.....	D12/130
D897,244	S *	9/2020	Tangen	.....	D12/130
D902,791	S *	11/2020	Fellingham	.....	D12/130
D903,538	S *	12/2020	Lin	.....	D12/130
2009/0045021	A1	2/2009	Einbinder		
2017/0129523	A1	5/2017	Hane		
2017/0258664	A1	9/2017	Purcell		
2018/0242888	A1	8/2018	Schmutzer		

\* cited by examiner

**Related U.S. Application Data**

- (63) Continuation-in-part of application No. 16/367,765, filed on Mar. 28, 2019, now Pat. No. 11,007,108.
- (51) **LOC (13) Cl.** ..... **12-12**
- (52) **U.S. Cl.**  
USPC ..... **D12/130**
- (58) **Field of Classification Search**  
USPC ..... D12/130  
CPC ..... A61H 3/00; A61H 3/04; A61H 2003/001-007; A61H 2003/043; A61H 2003/046  
See application file for complete search history.

*Primary Examiner* — Charles D Hanson  
(74) *Attorney, Agent, or Firm* — Wissing Miller LLP

(57) **CLAIM**

The ornamental design for a rollator, as shown and described.

**DESCRIPTION**

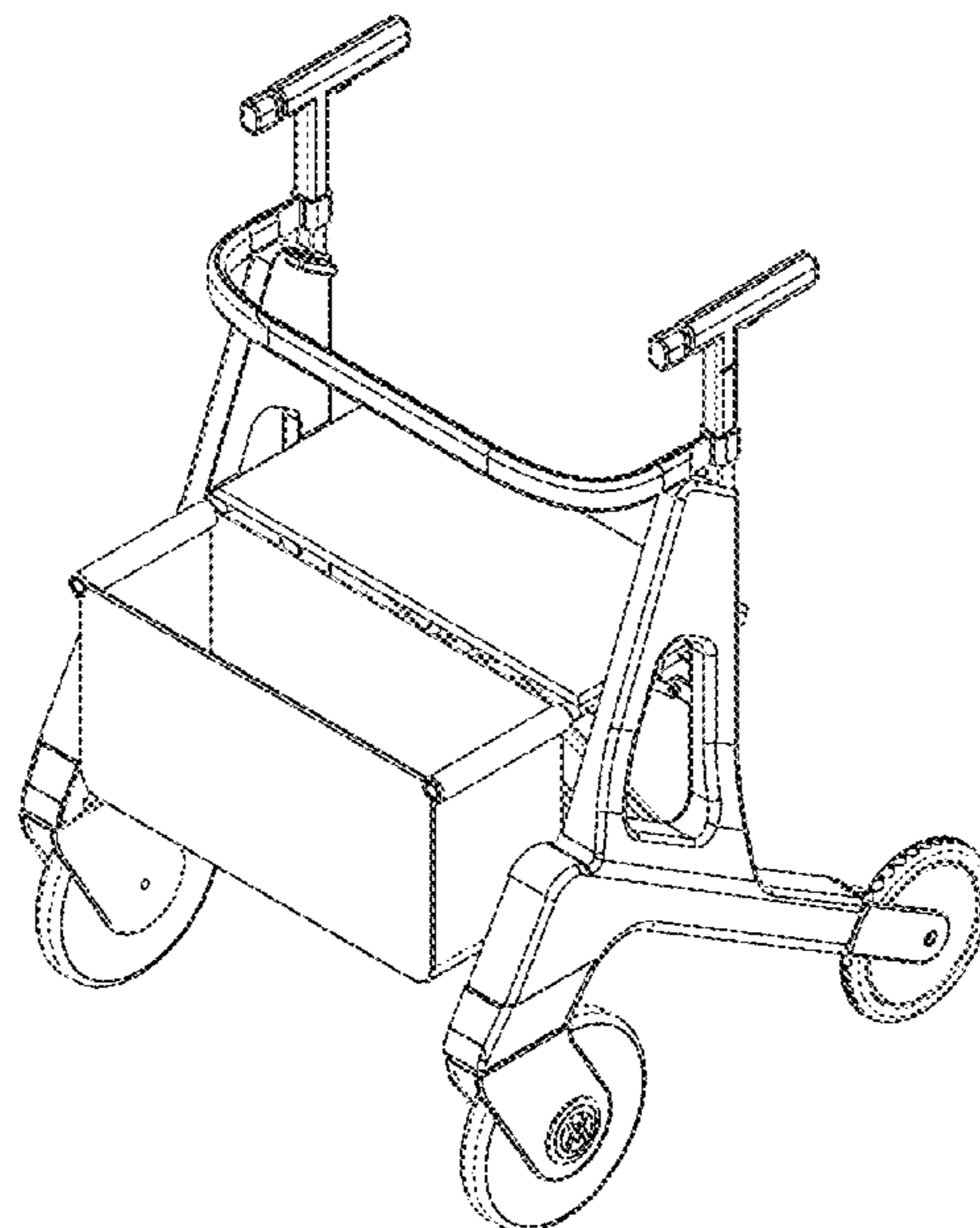
FIG. 1 is a front perspective view of a rollator in accordance with the present invention;  
FIG. 2 is a front elevation view of the rollator shown in FIG. 1;  
FIG. 3 is a left side elevation view of the rollator shown in FIG. 1;  
FIG. 4 is a rear elevation view of the rollator shown in FIG. 1;  
FIG. 5 is a top view of the rollator shown in FIG. 1; and,  
FIG. 6 is a rear perspective view of the rollator shown in FIG. 1.

**1 Claim, 6 Drawing Sheets**

(56) **References Cited**

**U.S. PATENT DOCUMENTS**

2,613,582	A	10/1952	Harshberger		
4,046,374	A	9/1977	Breyley		
4,384,713	A	5/1983	Deutsch et al.		
6,338,355	B1	1/2002	Cheng		
D519,423	S *	4/2006	Tolfsen	.....	D12/130
D754,568	S *	4/2016	Wang	.....	D12/130



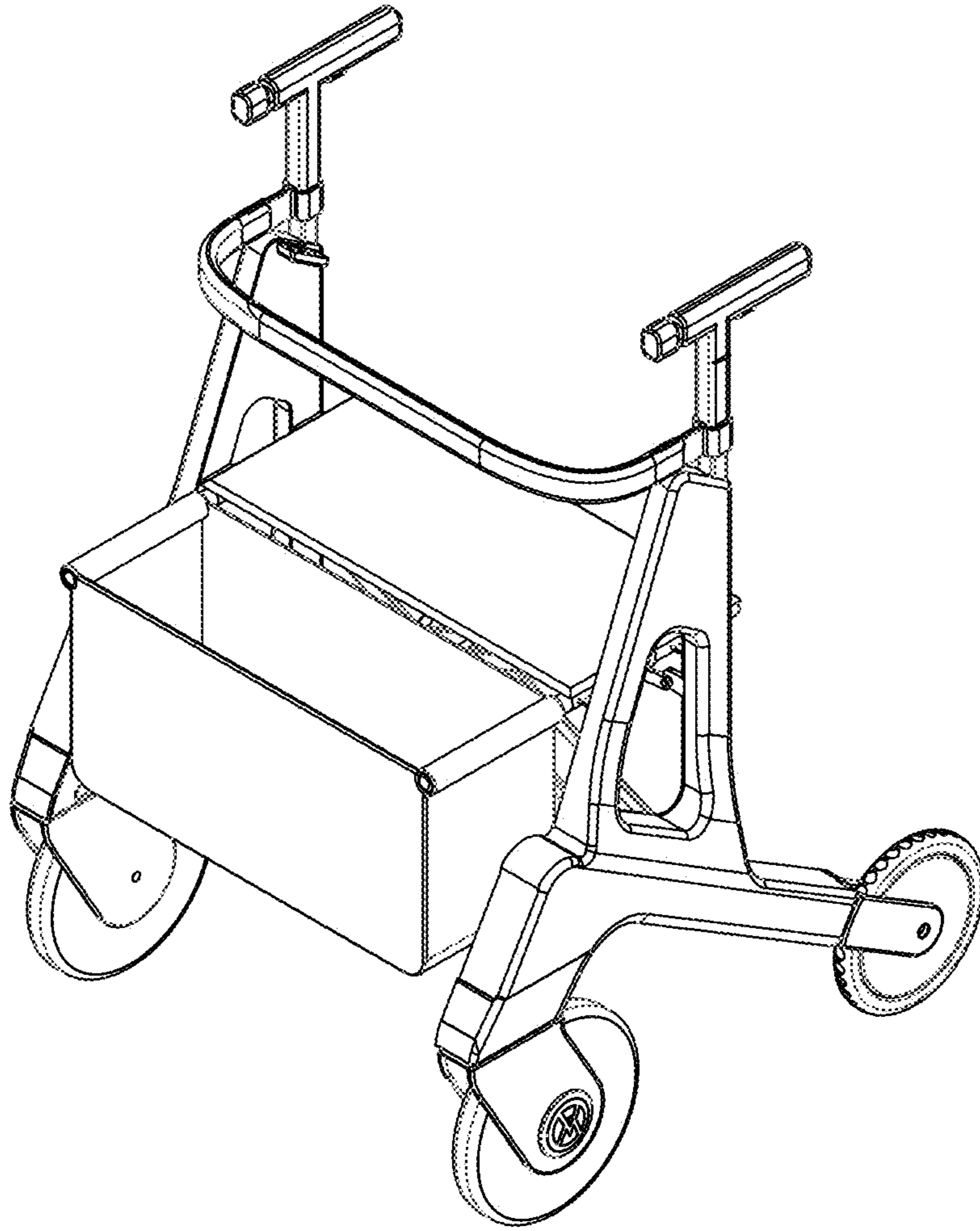


FIG. 1

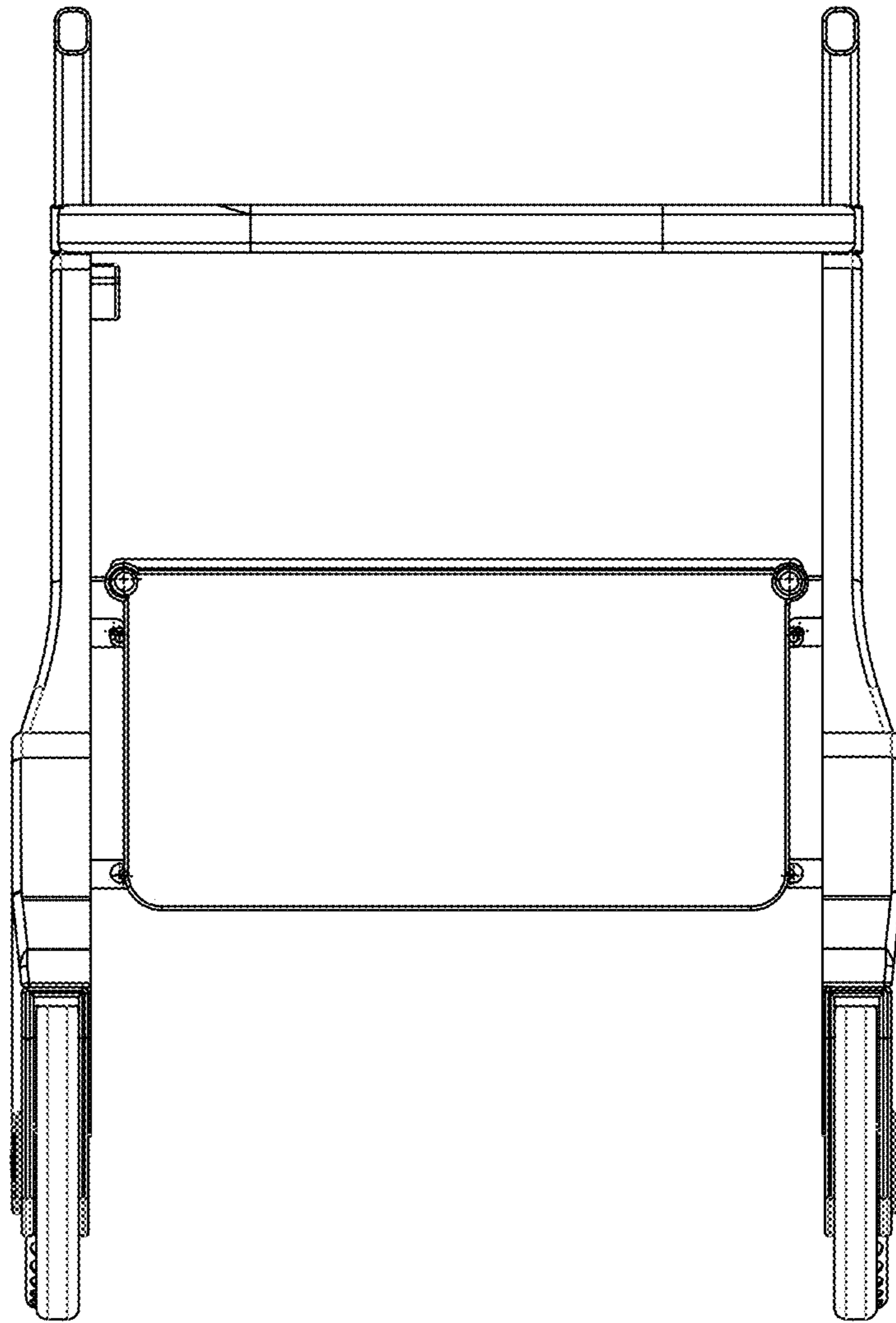


FIG. 2

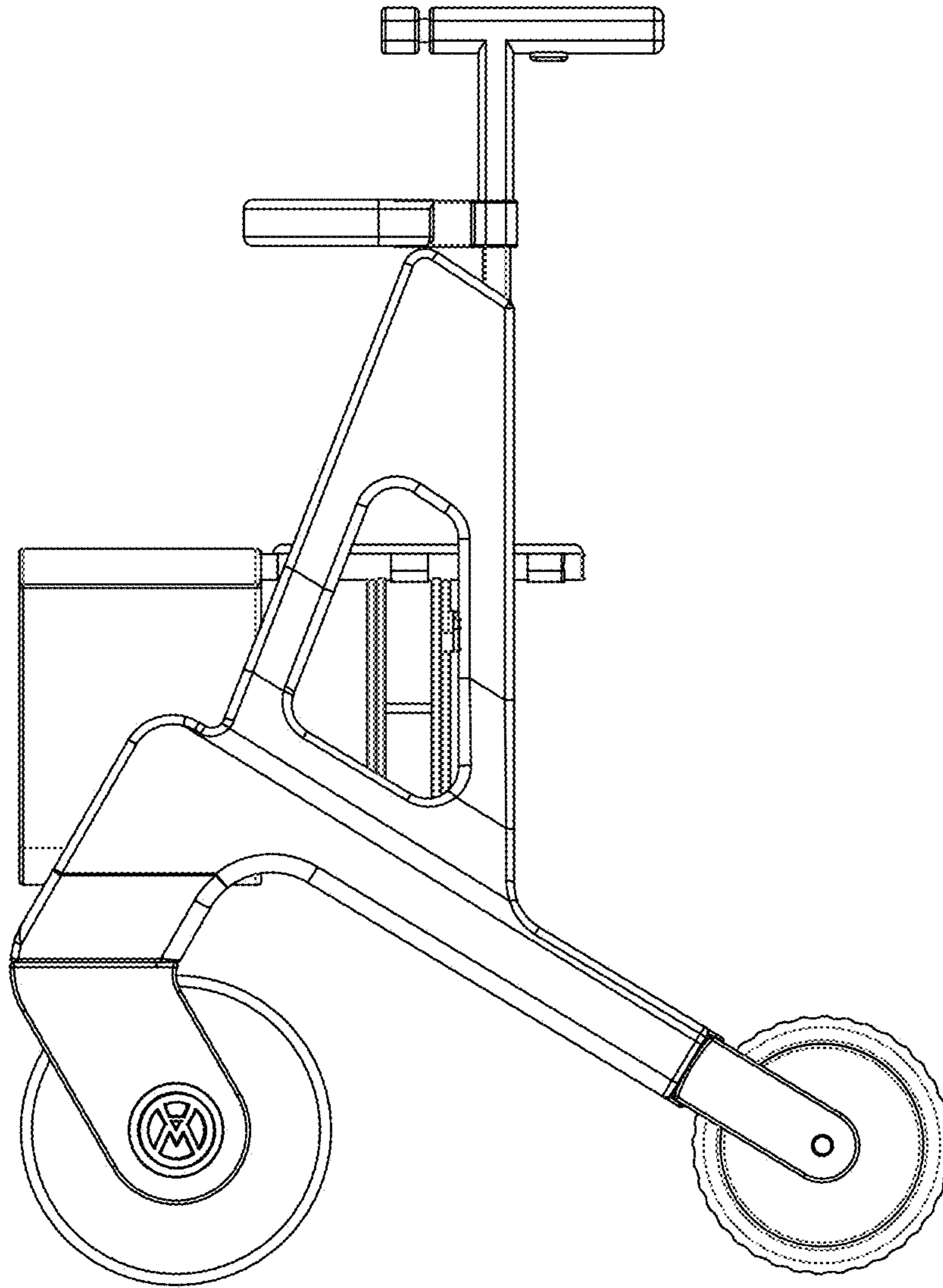


FIG. 3

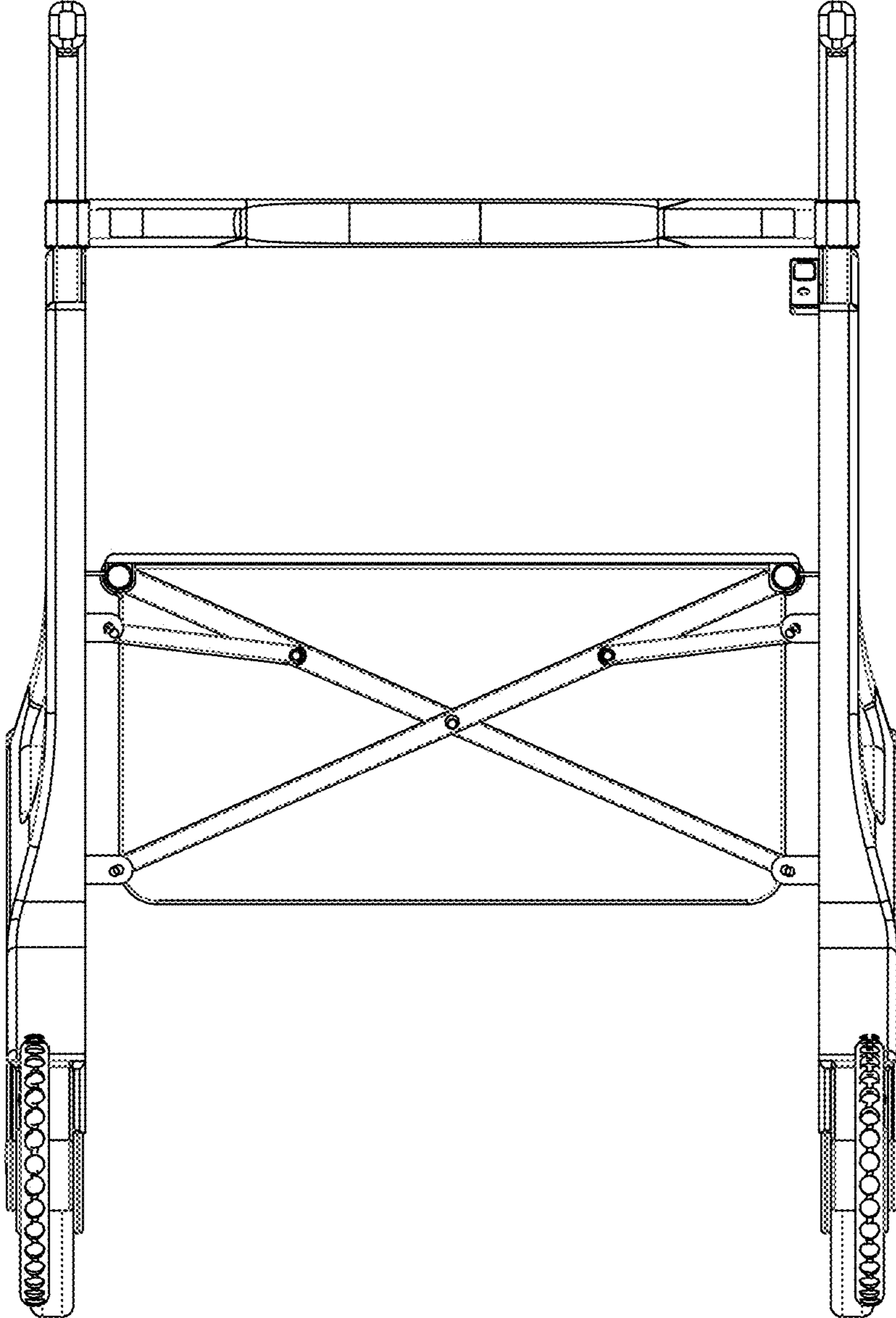


FIG. 4

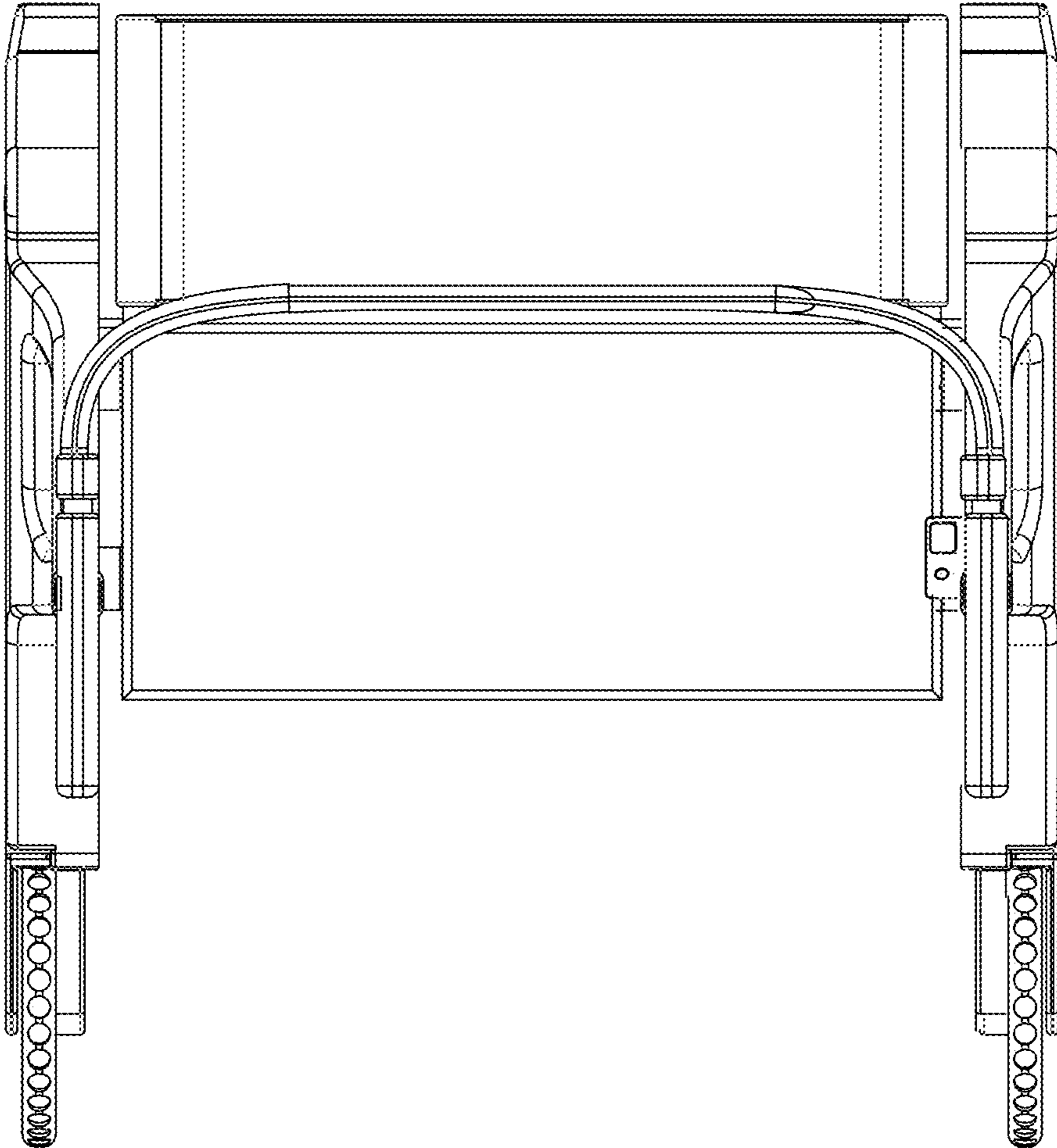


FIG. 5

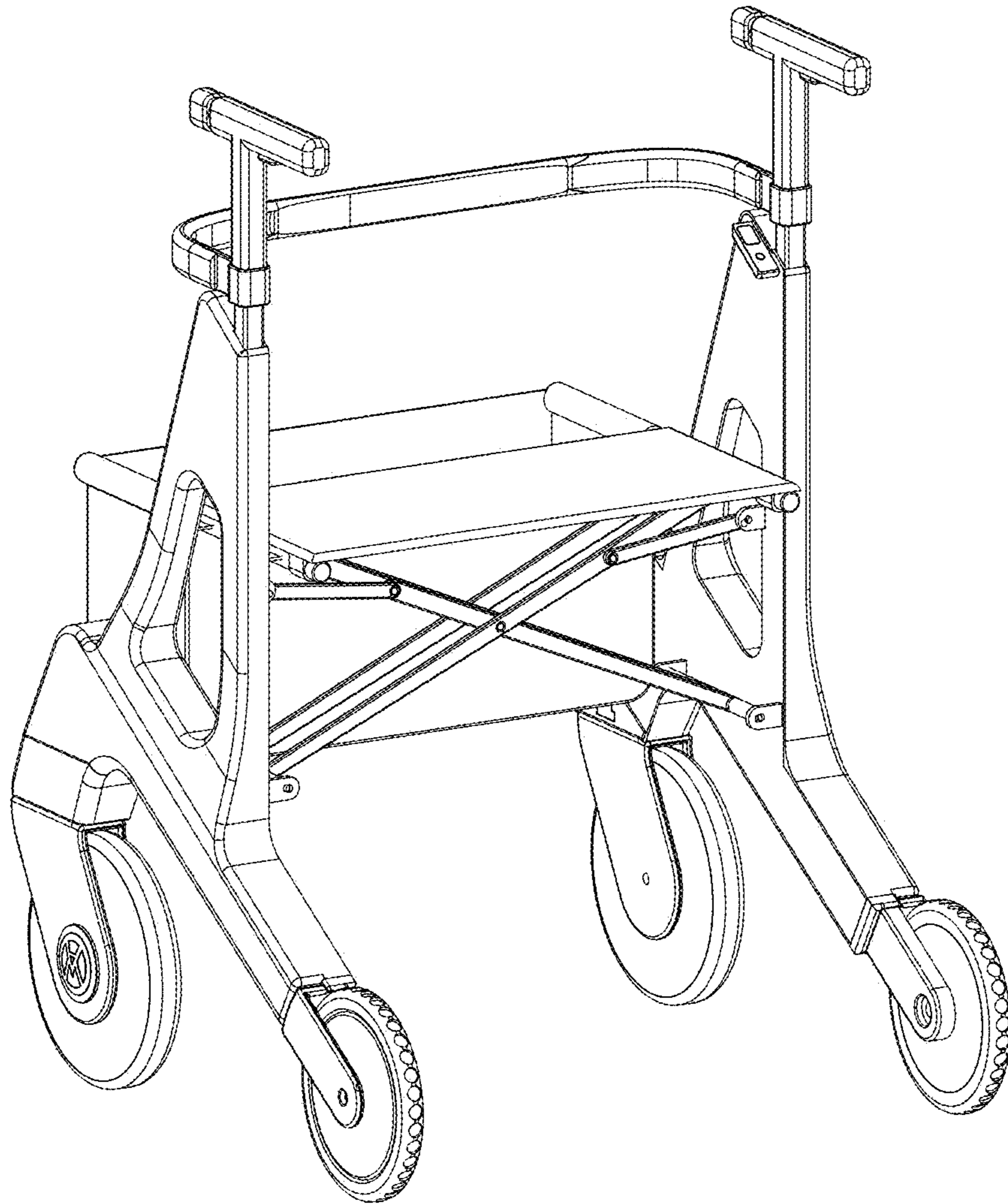


FIG. 6