



US00D944127S

(12) **United States Design Patent** (10) **Patent No.:** **US D944,127 S**  
**Miles** (45) **Date of Patent:** **\*\* Feb. 22, 2022**

(54) **BICYCLE STEM**

(71) Applicant: **TIEN HSIN INDUSTRIES CO., LTD.**, Taichung (TW)

(72) Inventor: **Jason Miles**, Taichung (TW)

(73) Assignee: **TIEN HSIN INDUSTRIES CO., LTD.**, Taichung (TW)

(\*\*) Term: **15 Years**

(21) Appl. No.: **29/739,978**

(22) Filed: **Jun. 30, 2020**

(51) **LOC (13) Cl.** ..... **12-11**

(52) **U.S. Cl.**  
USPC ..... **D12/118**

(58) **Field of Classification Search**  
USPC ..... D12/111, 114, 117, 118, 178  
CPC ..... B62K 21/12; B62K 21/14; B62K 21/18;  
B62K 19/40; B62J 11/00  
See application file for complete search history.

(56) **References Cited**

**U.S. PATENT DOCUMENTS**

D381,296 S *	7/1997	Kurke	.....	D12/118
D451,847 S *	12/2001	Thomson	.....	D12/118
D753,025 S *	4/2016	Chen	.....	B62K 21/16
				D12/118
9,616,962 B2 *	4/2017	Feng	.....	B62K 21/20
D843,270 S *	3/2019	Salvoli Mariani	....	B62K 19/40
				D12/118
D903,536 S *	12/2020	Haag	.....	D12/114
D920,174 S *	5/2021	Lin	.....	D12/118
D931,759 S *	9/2021	Lloyd	.....	D12/111
2011/0219908 A1 *	9/2011	Wehage	.....	B62K 21/16
				74/551.1
2020/0354011 A1 *	11/2020	Wagner	.....	B62K 21/18
2021/0061400 A1 *	3/2021	Wagner	.....	B62K 21/12
2021/0276657 A1 *	9/2021	Lin	.....	B62J 11/00
2021/0291930 A1 *	9/2021	Staples	.....	B62K 21/26

**OTHER PUBLICATIONS**

“A35 Industry Nine” Industry Nine., posted date Feb. 12, 2019 [online], [retrieved on Oct. 21, 2021], Retrieved from the Internet <URL:https://industrynine.com/stems/a35> (Year: 2019).\*

“Range Stem Gen 3” Stem., posted date Oct. 3, 2017 [online], [retrieved on Oct. 21, 2021], Retrieved from the Internet <URL:https://www.pnwcomponents.com/products/the-range-stem-with-gopro-or-garmin-mount> (Year: 2017).\*

“Wake 31.8 Stem 45mm Bike Stem” Wake., posted date Aug. 15, 2017 [online], [retrieved on Oct. 21, 2021], Retrieved from the Internet <URL:https://www.amazon.com/Mountain-Handlebar-Suitable-Aluminum-Adjustable/dp/B071YV77R7?ref\_ast\_sto\_dp&th=1>(Year: 2017).\*

\* cited by examiner

*Primary Examiner* — Darlington Ly

*Assistant Examiner* — Nasim Abdulaziz Ali

(74) *Attorney, Agent, or Firm* — WPAT, PC

(57) **CLAIM**

The ornamental design for a bicycle stem, as shown and described.

**DESCRIPTION**

FIG. 1 is a perspective view of a bicycle stem, embodying my new design;

FIG. 2 is a right side elevation view thereof;

FIG. 3 is a left side elevation view thereof;

FIG. 4 is a bottom plan view thereof;

FIG. 5 is a top plan view thereof;

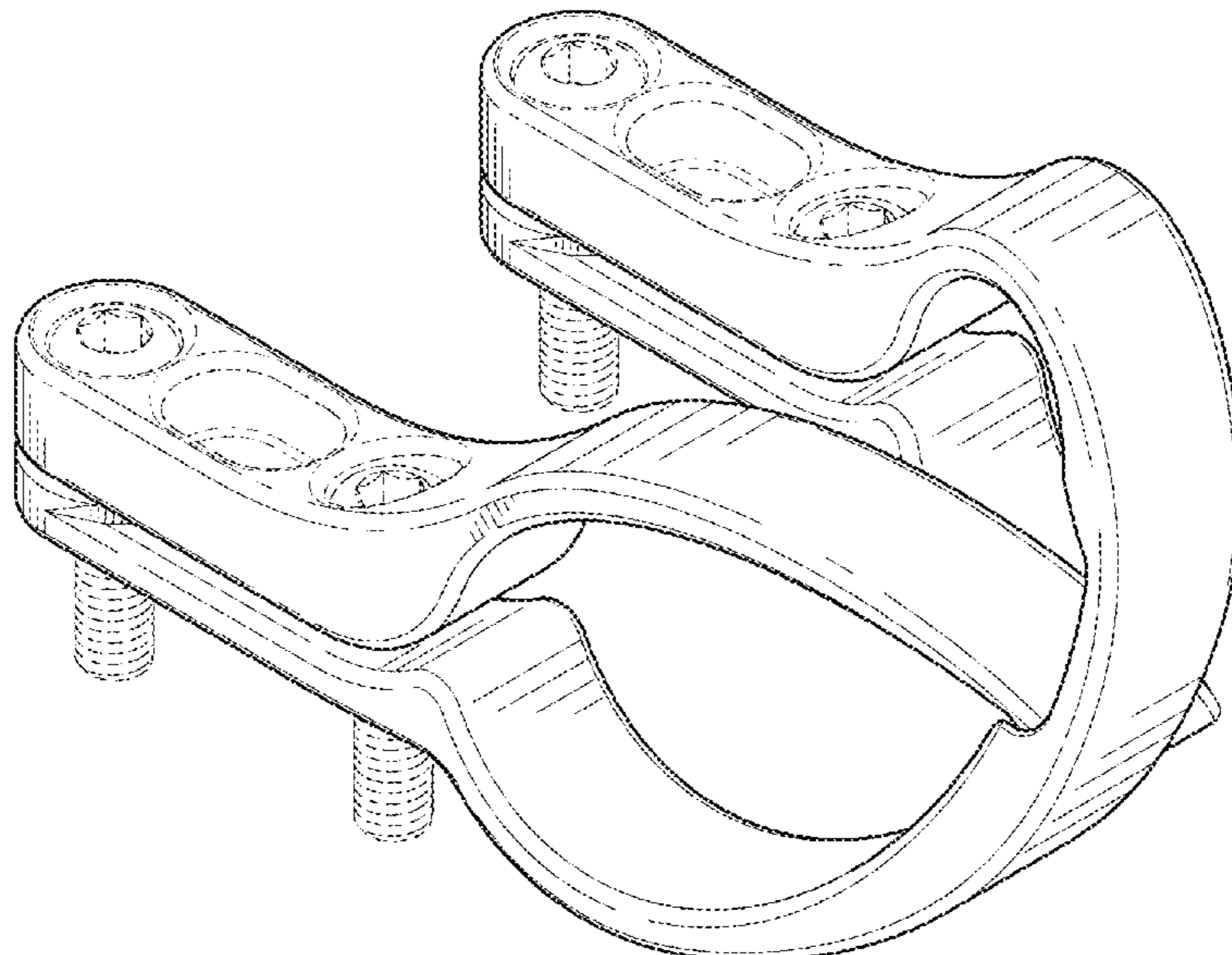
FIG. 6 is a rear elevation view thereof;

FIG. 7 is a front elevation view thereof; and,

FIG. 8 is a perspective view of the bicycle stem in a configuration of use.

The broken lines in the drawings illustrate portions of the bicycle stem and environmental bicycle handlebar that do not form part of the claimed design.

**1 Claim, 6 Drawing Sheets**



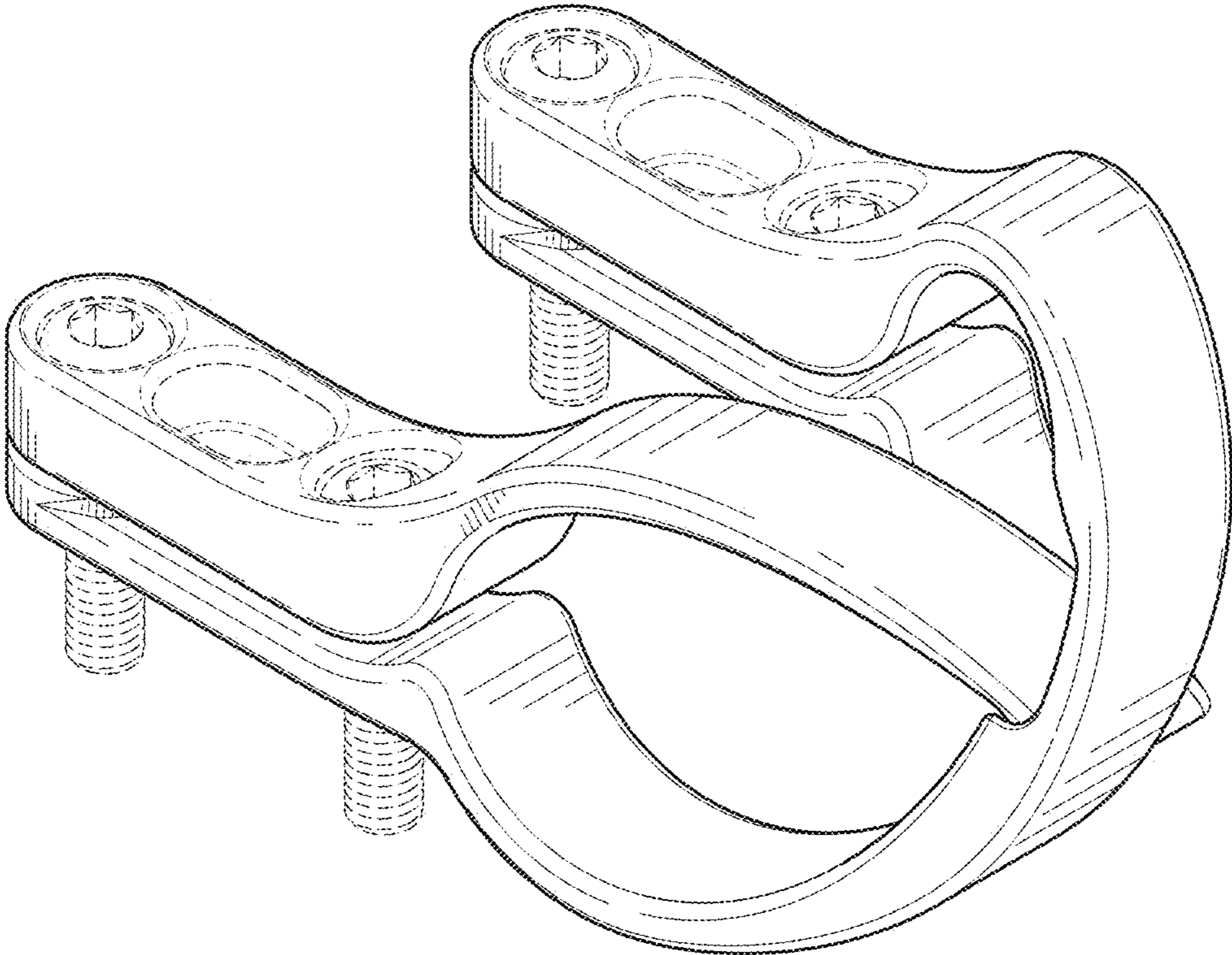


Fig. 1

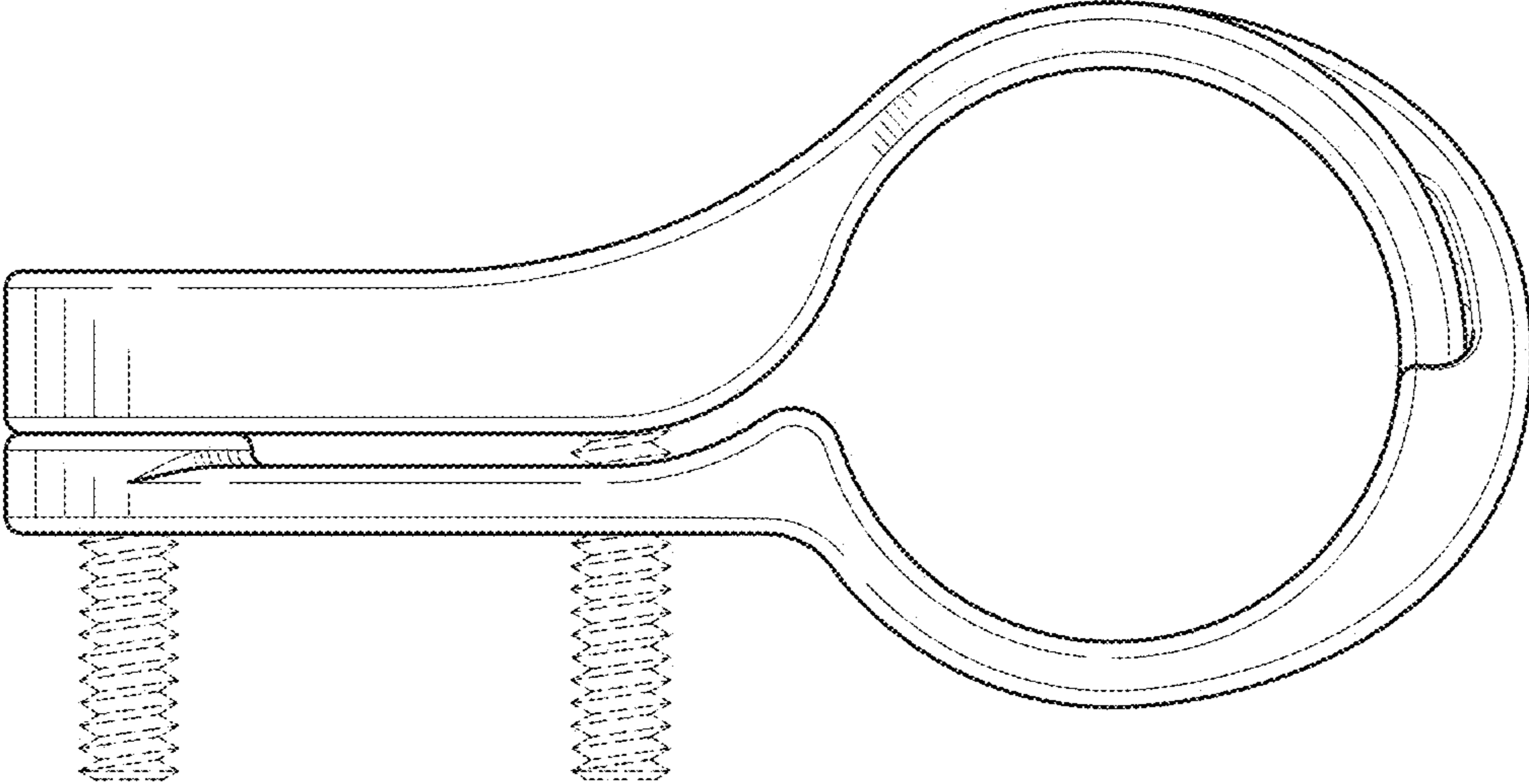


Fig. 2

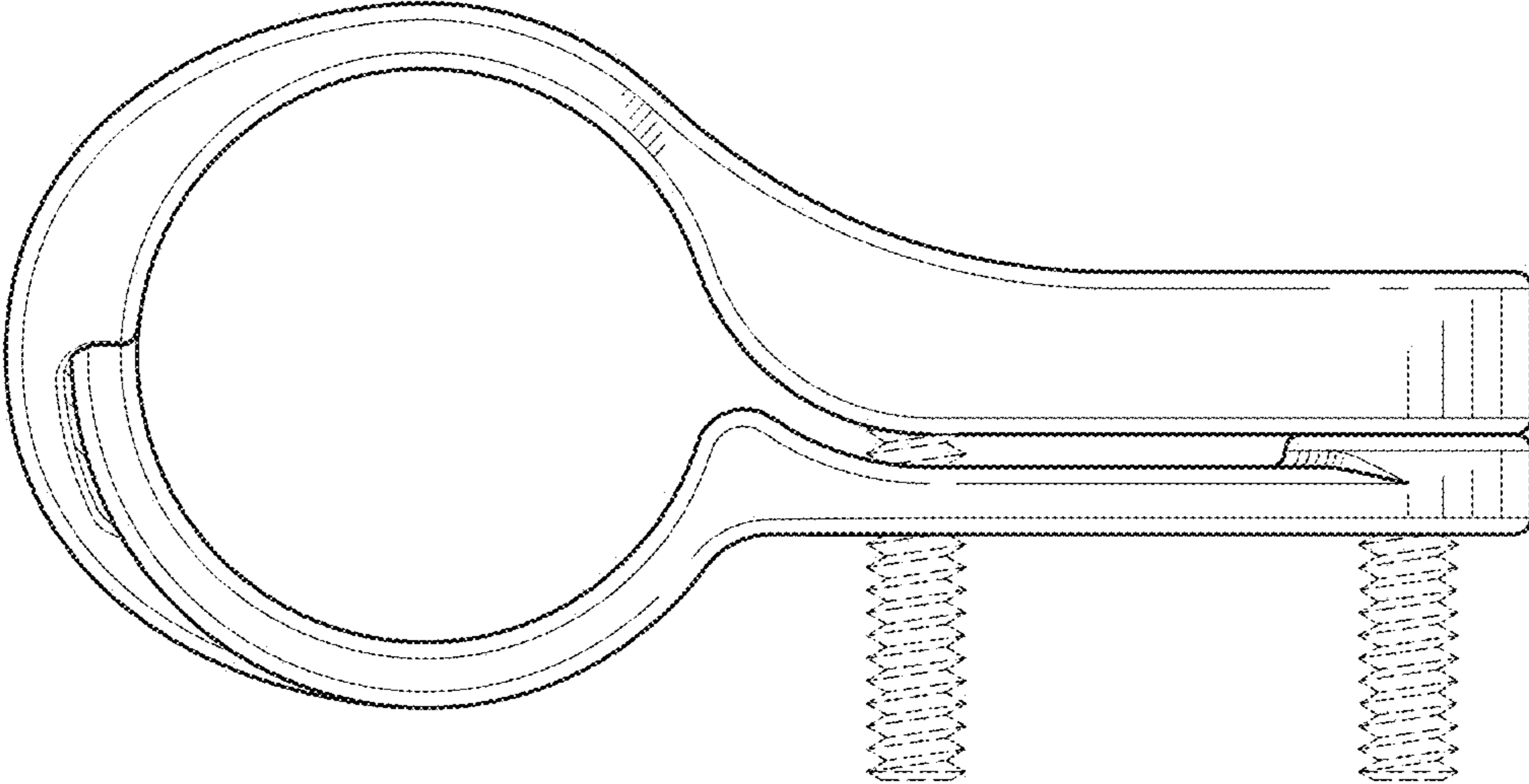


Fig. 3

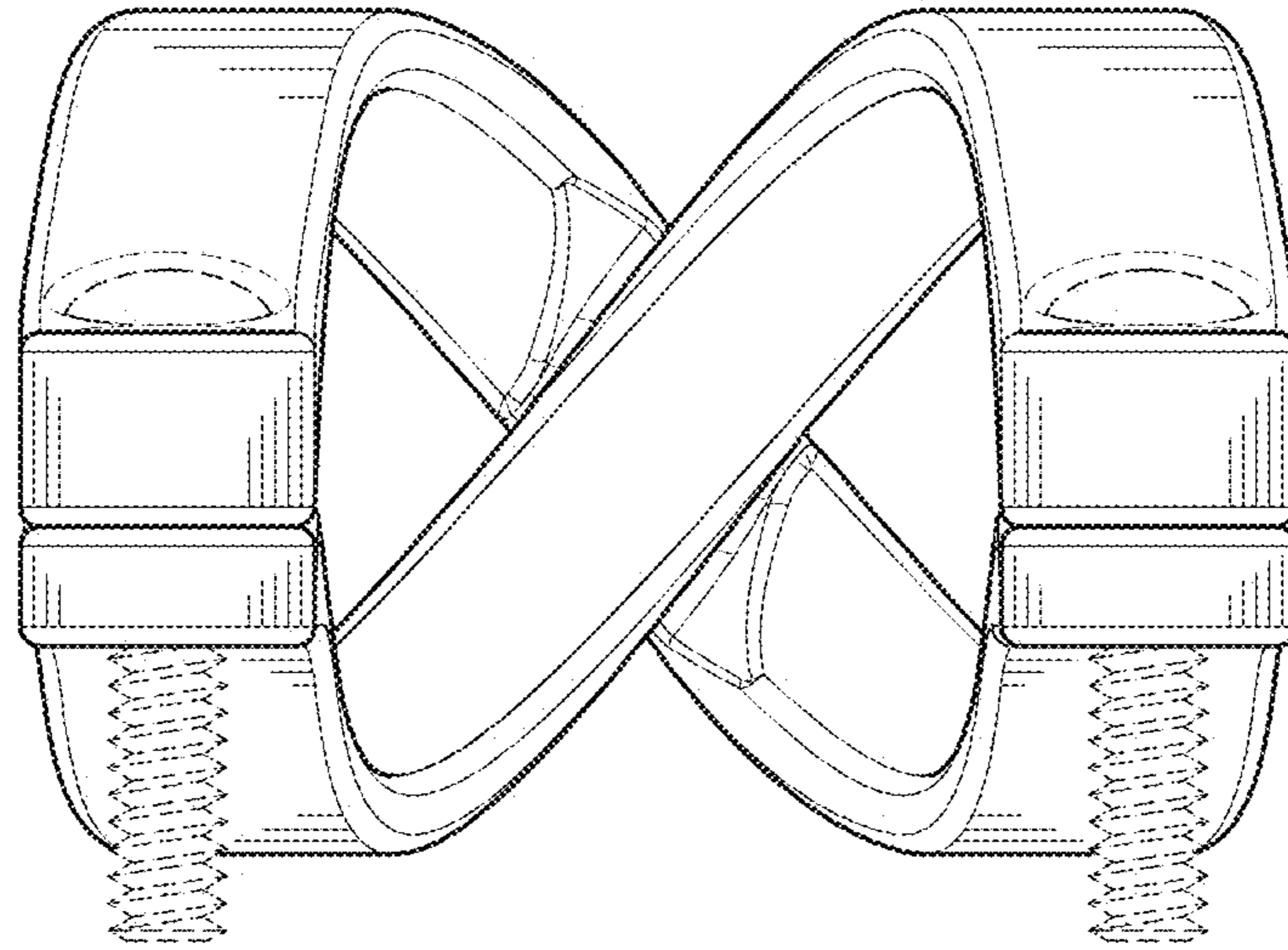


Fig. 4

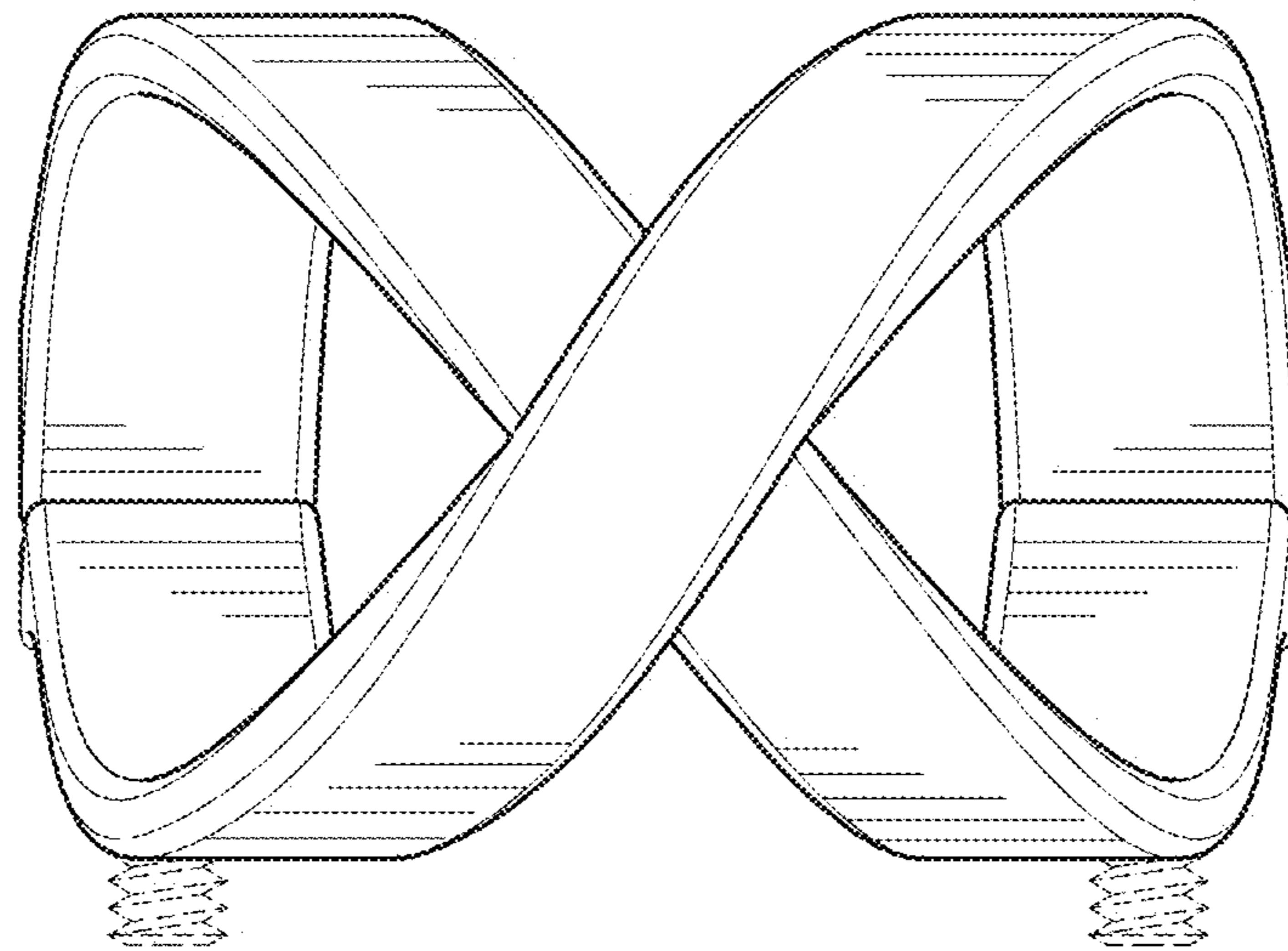


Fig. 5

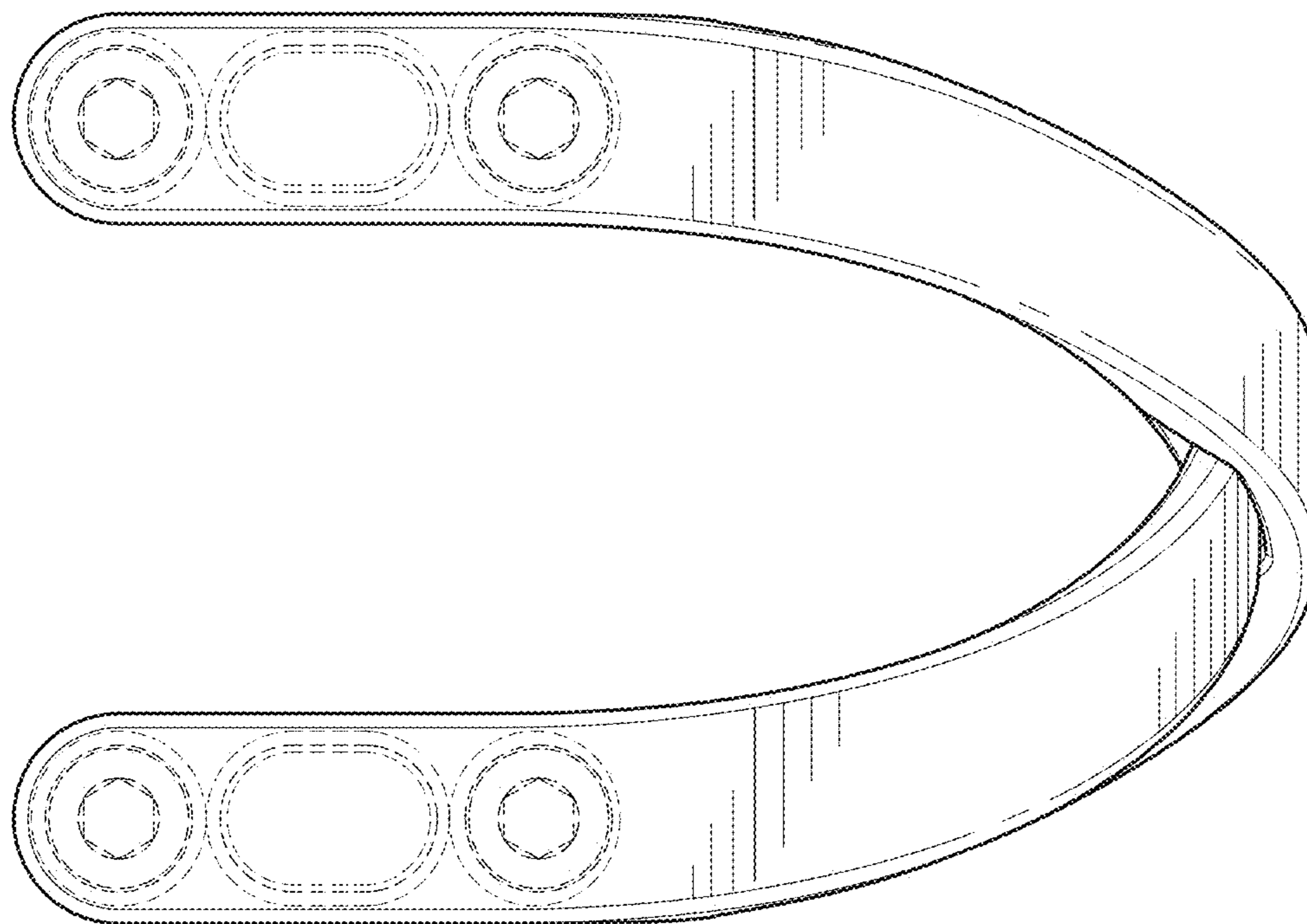


Fig. 6

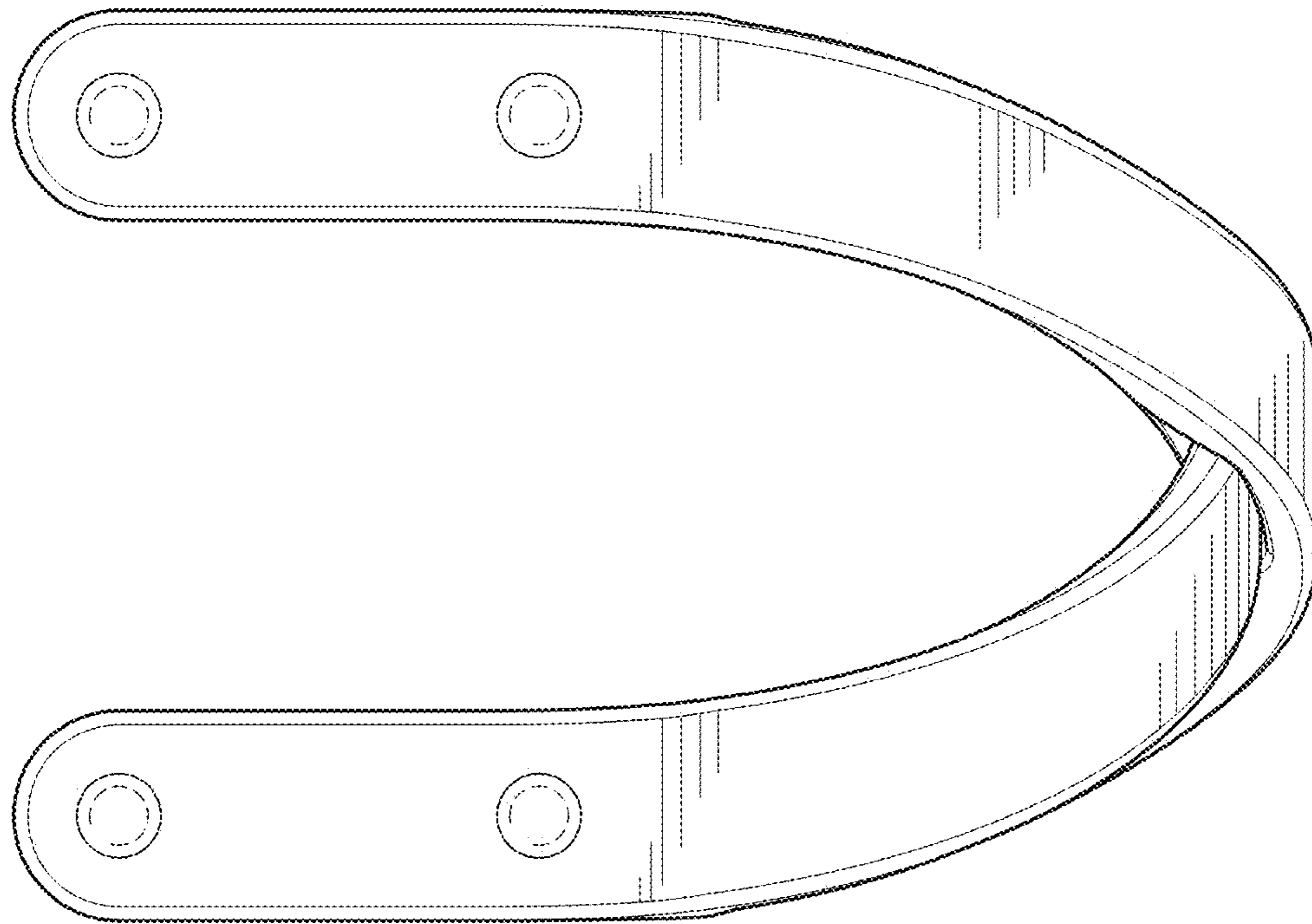


Fig. 7

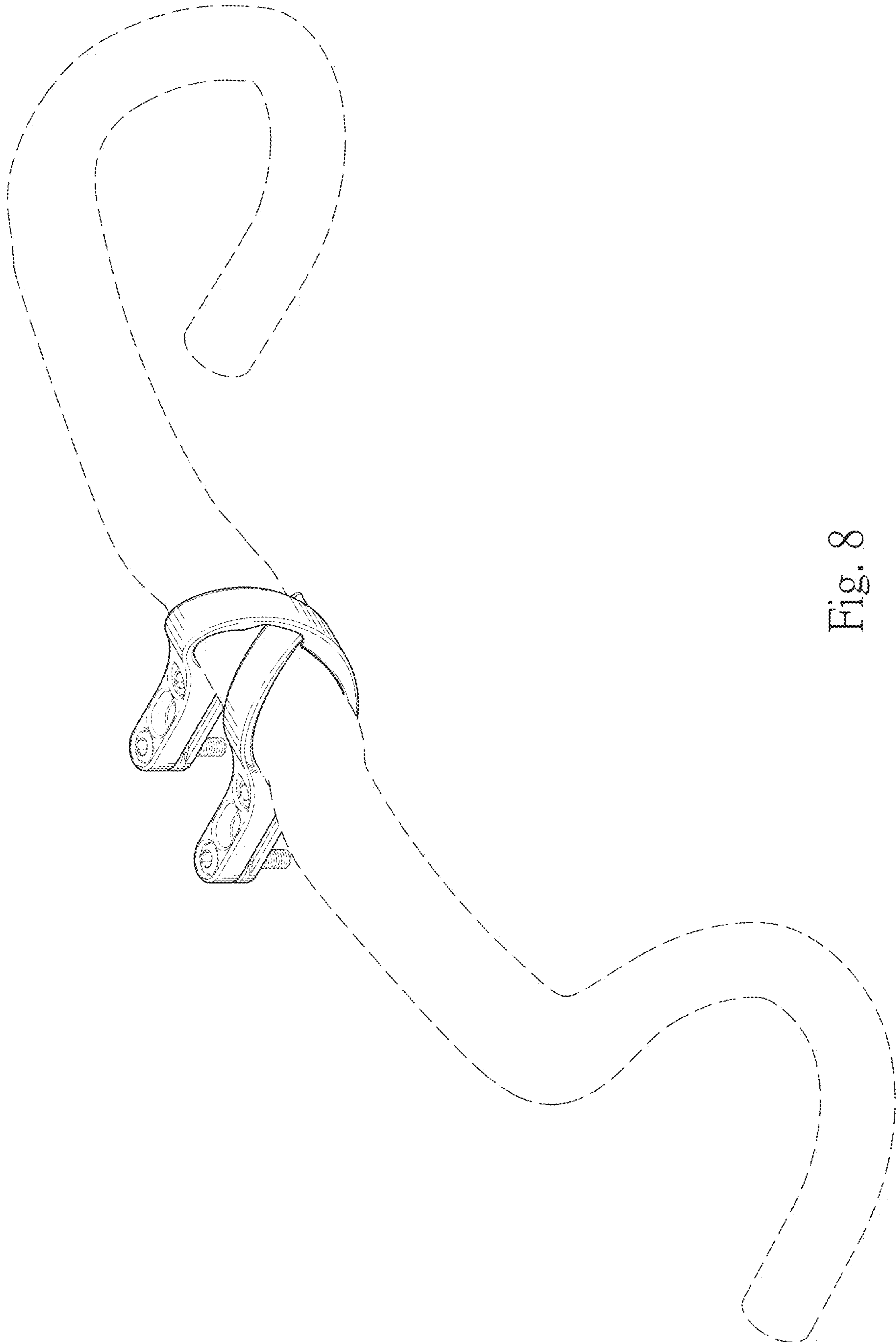


Fig. 8