



US00D944126S

(12) **United States Design Patent** (10) **Patent No.:** **US D944,126 S**
Lu (45) **Date of Patent:** **** Feb. 22, 2022**

(54) **ELECTRIC BICYCLE**
(71) Applicant: **Zhejiang Okai Vehicle Co., Ltd.**,
Lishui (CN)
(72) Inventor: **Jiangtao Lu**, Lishui (CN)
(73) Assignee: **ZHEJIANG OKAI VEHICLE CO., LTD.**, Lishui (CN)

D678,128 S * 3/2013 Lambri D12/110
D679,223 S * 4/2013 Loasby D12/110
D730,778 S * 6/2015 Harness D12/111
D730,779 S * 6/2015 Arbour D12/111
D742,791 S * 11/2015 Sanderson D12/110
D761,699 S * 7/2016 Watanabe D12/110
D806,610 S * 1/2018 Su D12/110
D838,212 S * 1/2019 David D12/110
D856,853 S * 8/2019 Luke D12/110
D874,984 S * 2/2020 Luke D12/110
D910,497 S * 2/2021 Sun D12/111

(**) Term: **15 Years**
(21) Appl. No.: **29/749,811**
(22) Filed: **Sep. 9, 2020**

(30) **Foreign Application Priority Data**
Jun. 9, 2020 (CN) 202030289344.5
(51) **LOC (13) Cl.** **12-11**
(52) **U.S. Cl.**
USPC **D12/111**
(58) **Field of Classification Search**
USPC D12/111, 117; D21/412, 414, 419,
D21/423-428
CPC B62K 3/00; B62K 3/02; B62K 3/06
See application file for complete search history.

(56) **References Cited**
U.S. PATENT DOCUMENTS
D253,102 S * 10/1979 Hahn D12/110
D273,100 S * 3/1984 Ziegler D12/111
D302,801 S * 8/1989 Lacroix D12/110
D406,253 S * 3/1999 Yamashita D12/110
D441,323 S * 5/2001 Cheng D12/111
D470,438 S * 2/2003 Tateishi D12/110
D538,714 S * 3/2007 Okuyama D12/110
D543,903 S * 6/2007 Kashima D12/110
D578,042 S * 10/2008 Yang D12/111
D644,961 S * 9/2011 Watanabe D12/110
D662,860 S * 7/2012 Devernay D12/110

OTHER PUBLICATIONS

“EB100 Electric Bike” Okai., posted date May 6, 2021 [online],
[retrieved on Mar. 10, 2021]. Retrieved from the Internet <URL:
<https://www.okai.co/pages/eb100>> (Year: 2021).*

(Continued)

Primary Examiner — Darlington Ly
Assistant Examiner — Nasim Abdulaziz Ali
(74) *Attorney, Agent, or Firm* — Muncy, Geissler, Olds &
Lowe, PC

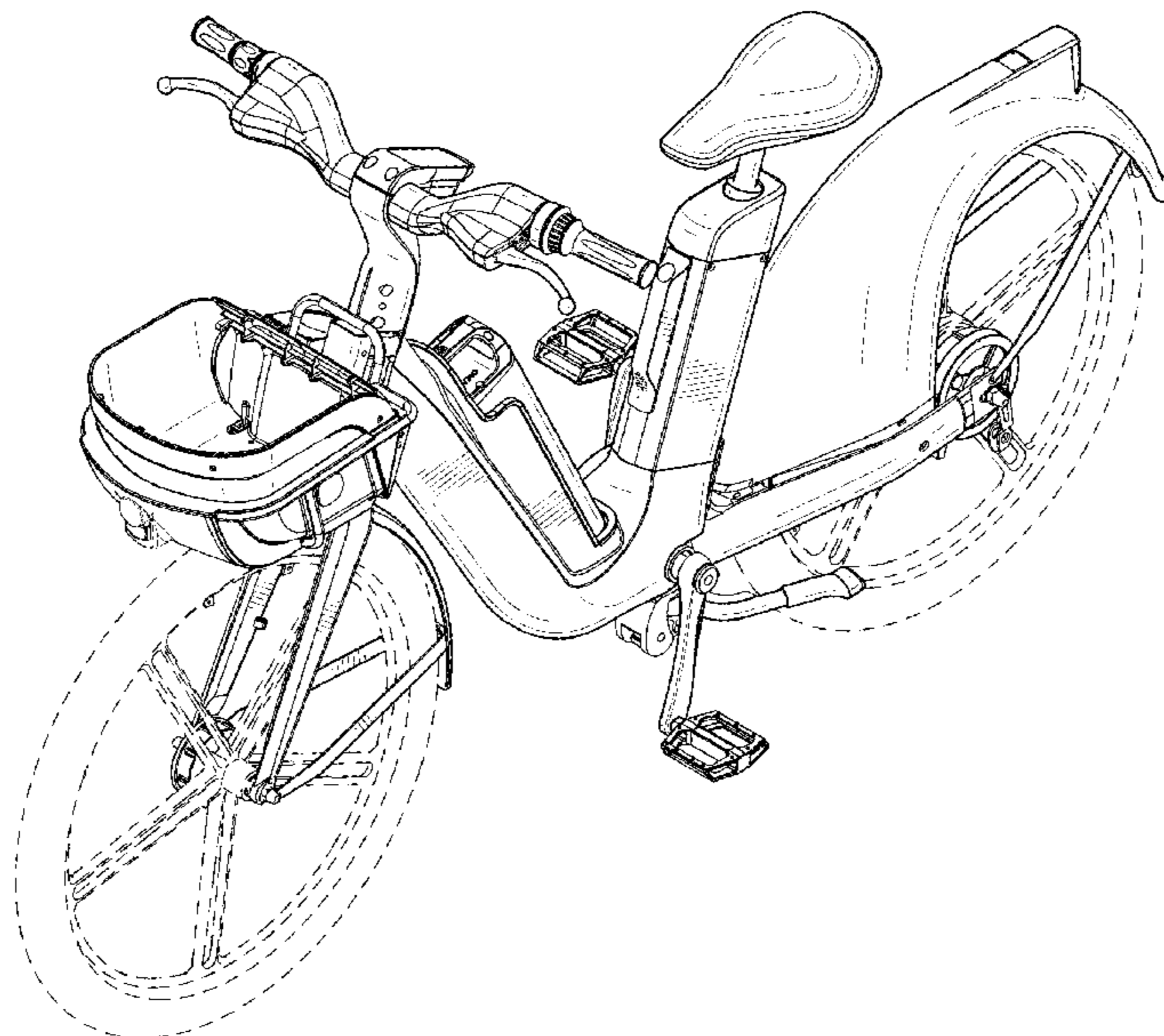
(57) **CLAIM**

The ornamental design for an electric bicycle, as shown and
described.

DESCRIPTION

FIG. 1 is a perspective view of an electric bicycle showing
my new design;
FIG. 2 is a front elevational view thereof;
FIG. 3 is a rear elevational view thereof;
FIG. 4 is a left side elevational view thereof;
FIG. 5 is a right side elevational view thereof;
FIG. 6 is a top plan view thereof; and,
FIG. 7 is a bottom plan view thereof.
The broken lines illustrate portions of the electric bicycle
which form no part of the claimed design.

1 Claim, 7 Drawing Sheets



(56)

References Cited

OTHER PUBLICATIONS

“Okai EB100” Okai., posted date Sep. 28, 2020 [online], [retrieved on Mar. 10, 2021]. Retrieved from the Internet <URL: <https://www.bikes4sale.com/details/okai/eb100/>> (Year: 2020).*

“Looking to launch an e-bike rental business?” Joyride., posted date Oct. 1, 2020 [online], [retrieved on Mar. 10, 2021]. Retrieved from the Internet <URL: <https://joyride.city/blog/launch-an-e-bike-rental-business/>> (Year: 2020).*

* cited by examiner

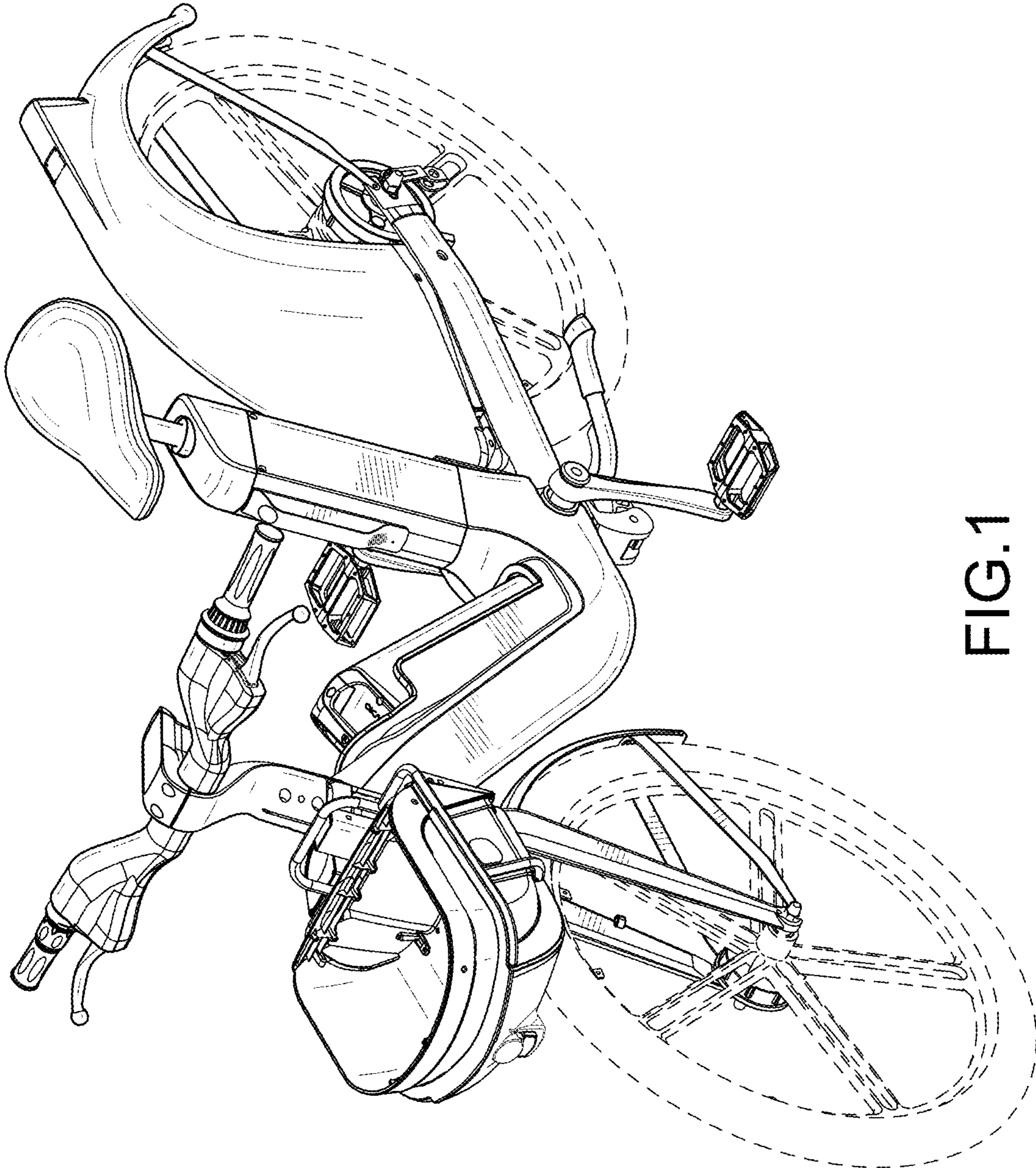


FIG.1

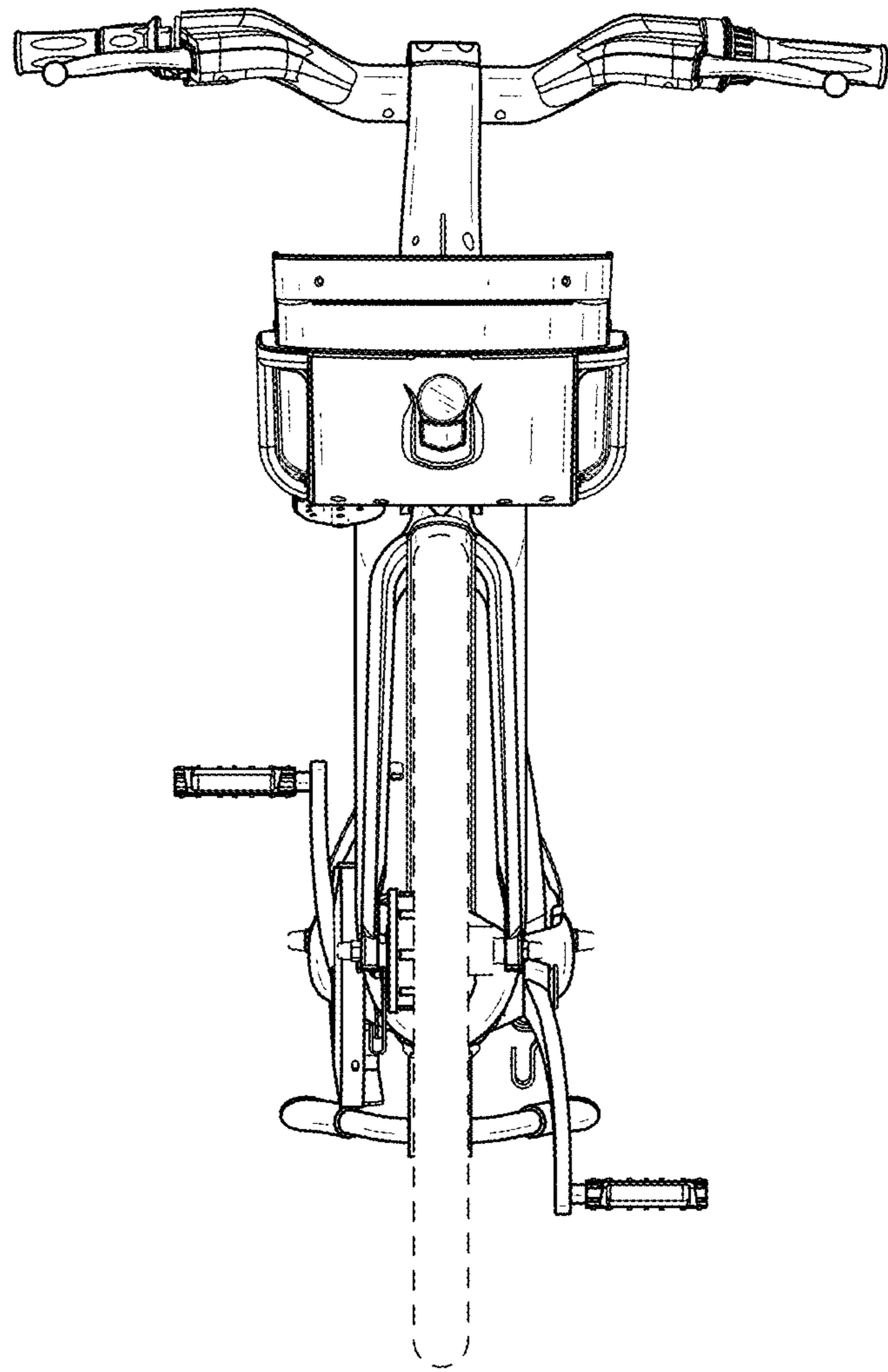


FIG.2

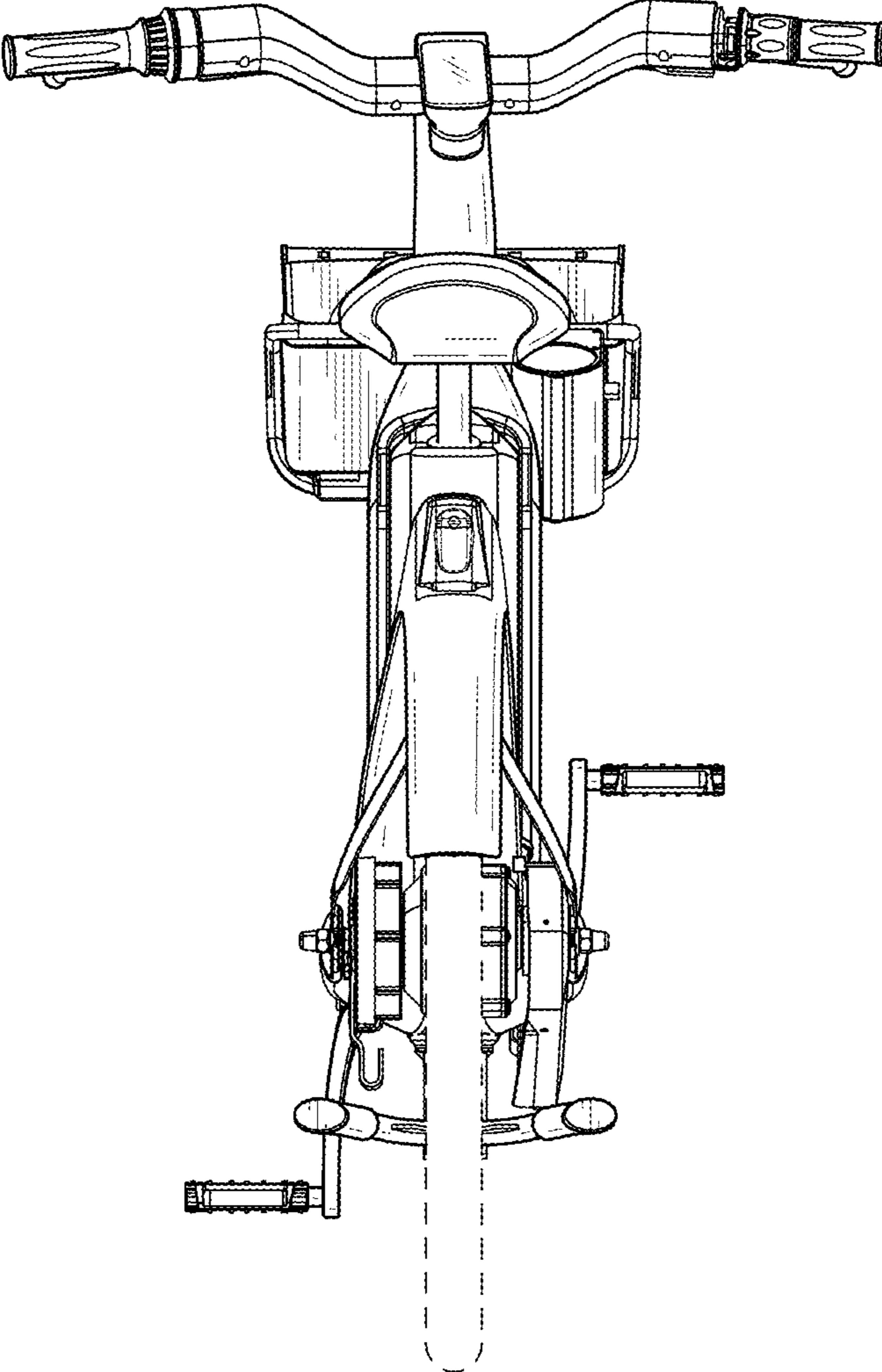


FIG.3

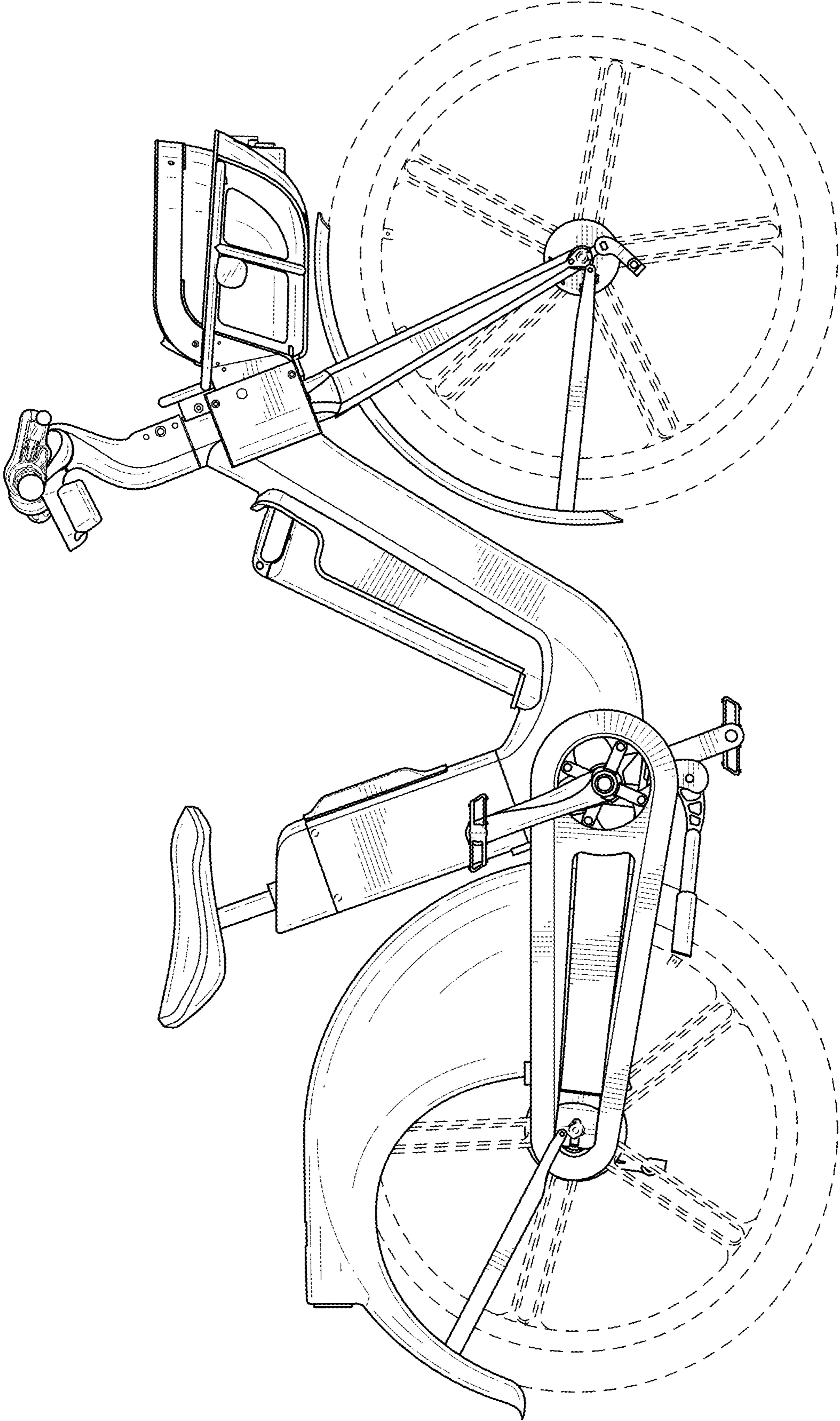


FIG.4

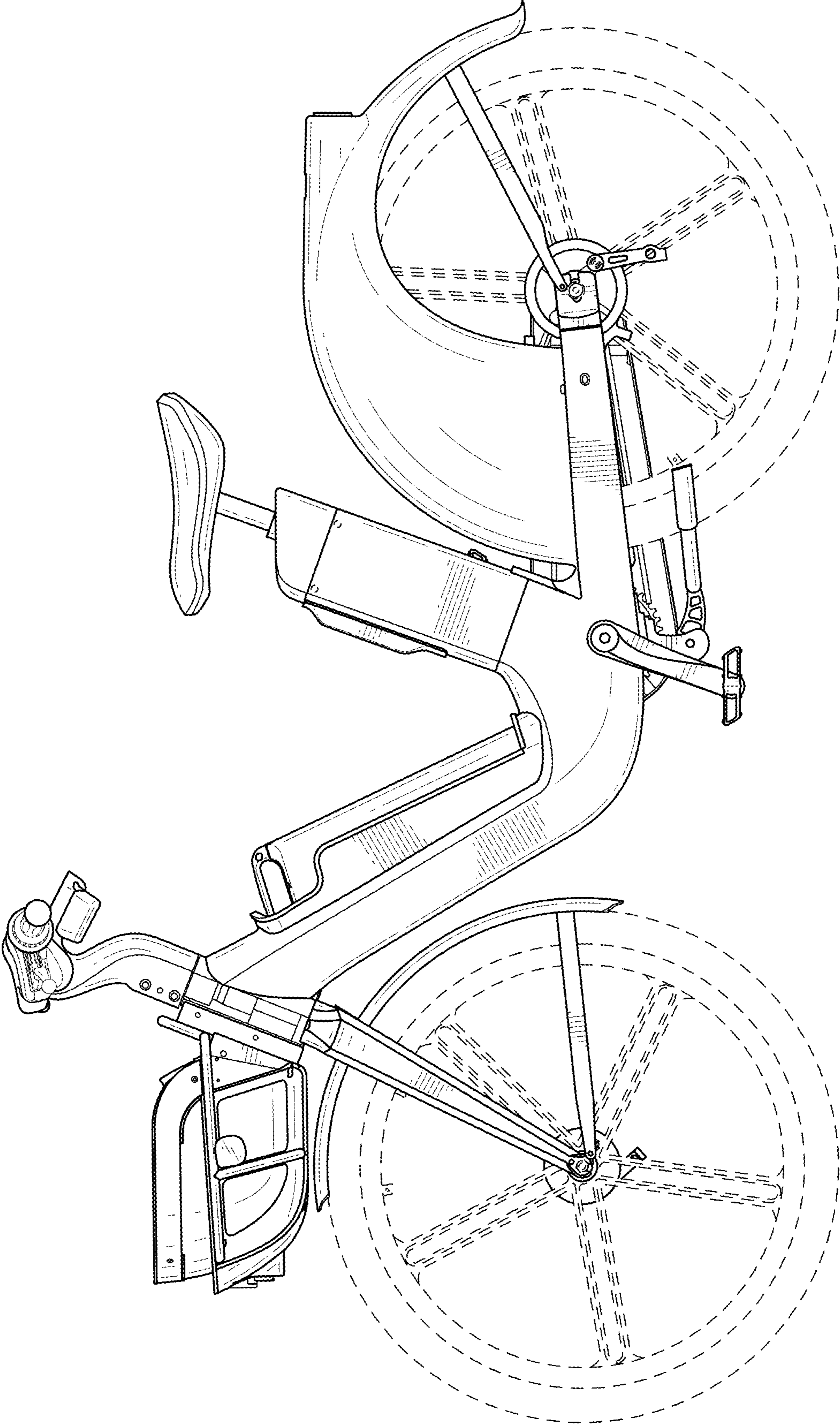


FIG.5

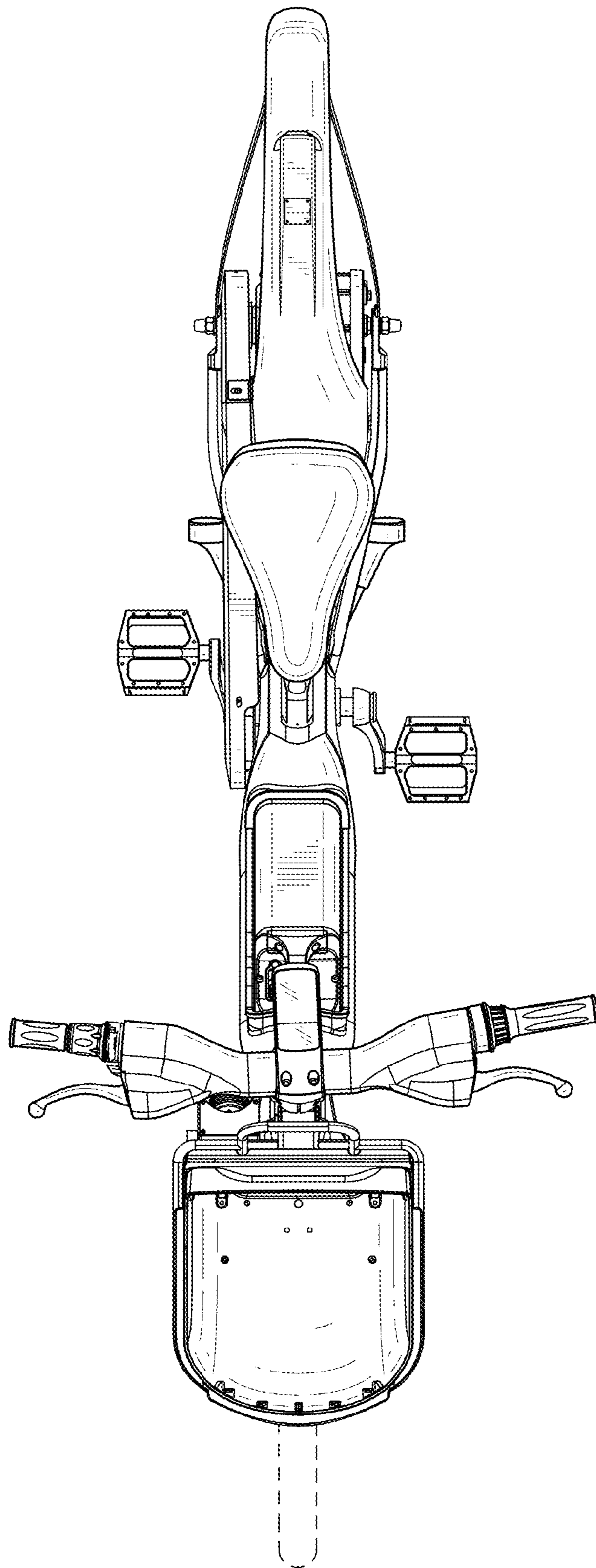


FIG.6

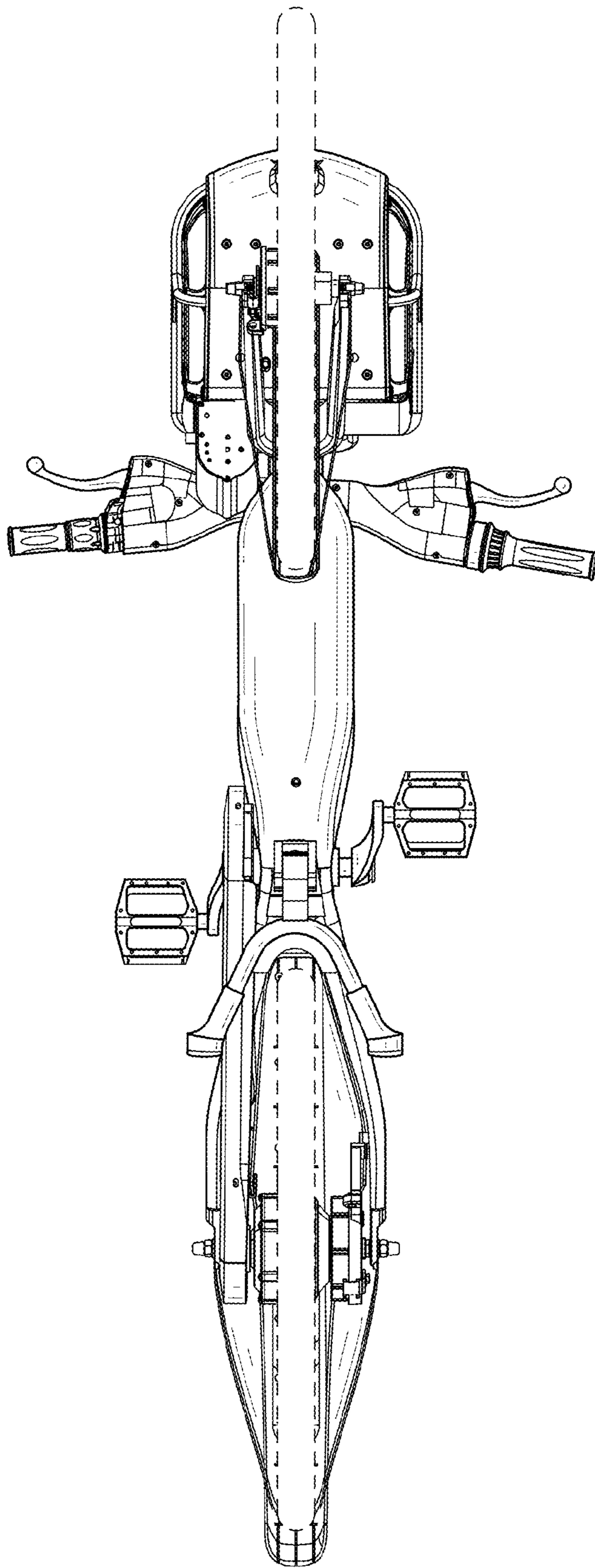


FIG.7