



US00D944125S

(12) **United States Design Patent** (10) **Patent No.:** **US D944,125 S**
Wang (45) **Date of Patent:** **** Feb. 22, 2022**

(54) **BOAT RACK**

(71) Applicant: **Dennis H. Wang**, Baldwin Park, CA (US)

(72) Inventor: **Dennis H. Wang**, Baldwin Park, CA (US)

(**) Term: **15 Years**

(21) Appl. No.: **29/740,101**

(22) Filed: **Jul. 1, 2020**

(51) **LOC (13) Cl.** **12-16**

(52) **U.S. Cl.**
USPC **D12/106**

(58) **Field of Classification Search**
USPC D12/401-404; D6/610-611, 552;
D3/304-306
CPC B60R 9/00; B60R 9/02; B60R 9/04; B60R 9/08; B60R 9/042; B60R 9/0423; B60R 9/0426; B60R 9/045; B60R 9/048; B60R 9/0485; B60R 9/05; B60R 9/052; B60R 9/055; B60R 9/058; B60R 9/06; B60R 9/065; B60R 9/10; B60R 9/12

See application file for complete search history.

(56) **References Cited**

U.S. PATENT DOCUMENTS

D244,268 S * 5/1977 Hinch D12/412
D306,003 S * 2/1990 Berkan, Jr. D12/414
D398,284 S * 9/1998 Carter D12/406
8,668,125 B2 * 3/2014 Williams B60R 9/06
224/405
D843,922 S * 3/2019 Ting D12/414

D929,930 S * 9/2021 Park D12/406
D931,780 S * 9/2021 Lee D12/406
2014/0034696 A1 * 2/2014 Marr B60R 9/045
224/405
2015/0197202 A1 * 7/2015 Harrison B62D 33/02
296/3
2019/0367101 A1 * 12/2019 McFadden B62D 33/0207
2020/0406826 A1 * 12/2020 Ni B60R 9/058
2020/0406827 A1 * 12/2020 Ni B60R 9/06

* cited by examiner

Primary Examiner — Katrina A Betton

(74) *Attorney, Agent, or Firm* — Karin L. Williams; Alan D. Kamrath; Mayer & Williams PC

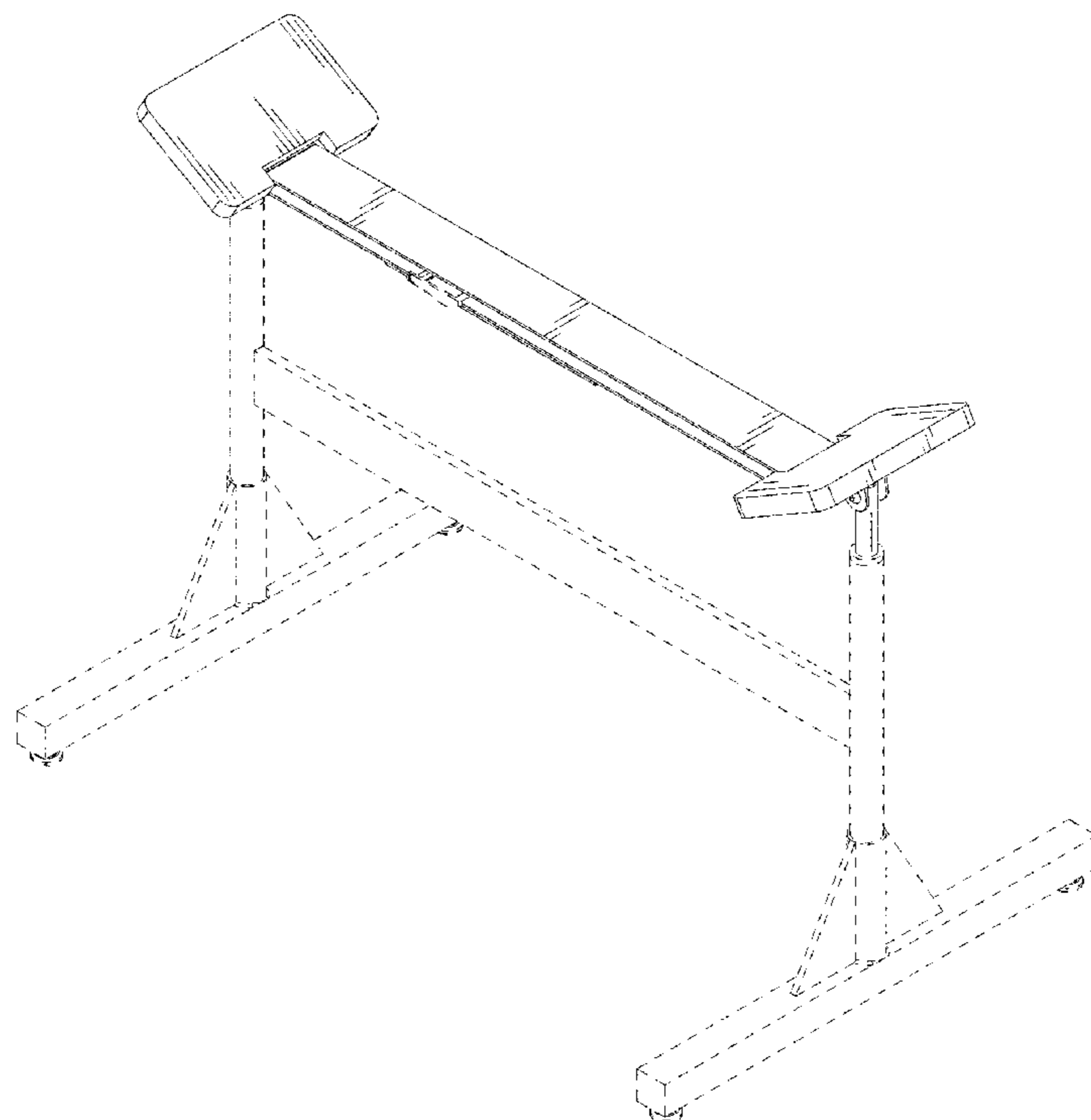
(57) **CLAIM**

The ornamental design for a boat rack, as shown and described.

DESCRIPTION

FIG. 1 is a perspective view of a boat rack showing my new design;
FIG. 2 is a front view thereof;
FIG. 3 is a rear view thereof;
FIG. 4 is a left view thereof;
FIG. 5 is a right view thereof;
FIG. 6 is a top view thereof; and,
FIG. 7 is a bottom view thereof.
The broken lines depict portions of the boat rack in which the design is embodied that are not considered part of the claimed design.

1 Claim, 7 Drawing Sheets



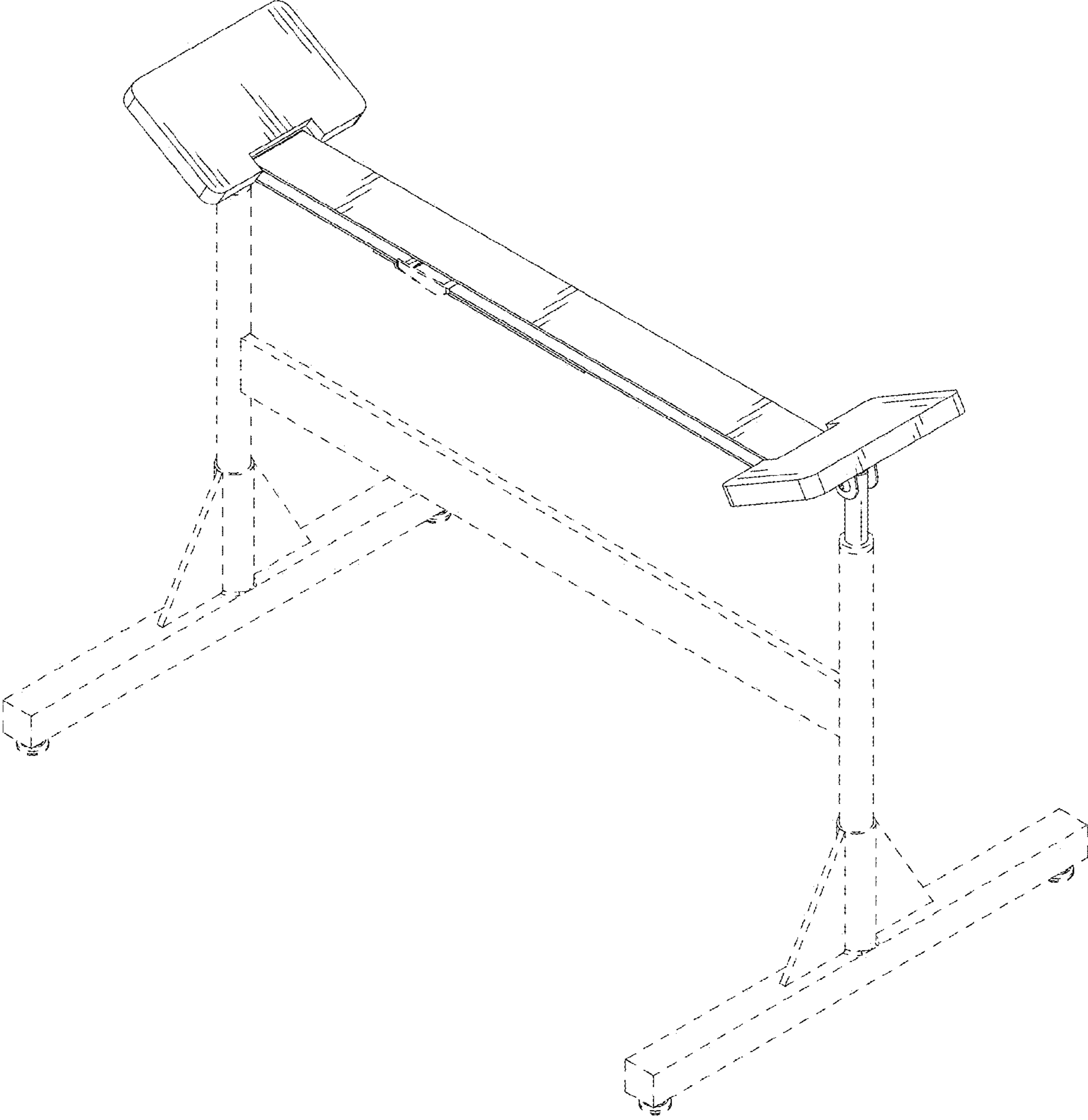


FIG. 1

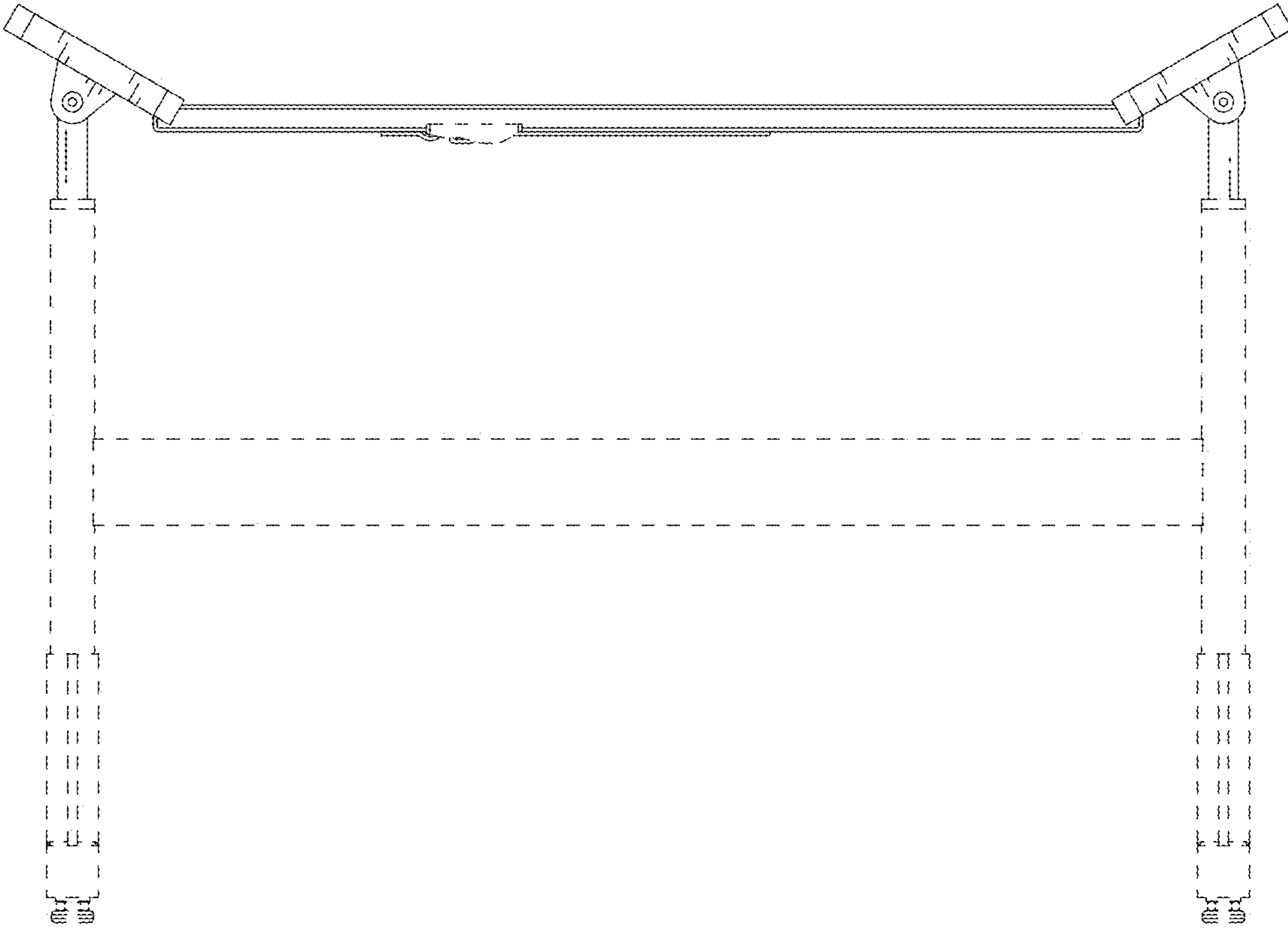


FIG. 2

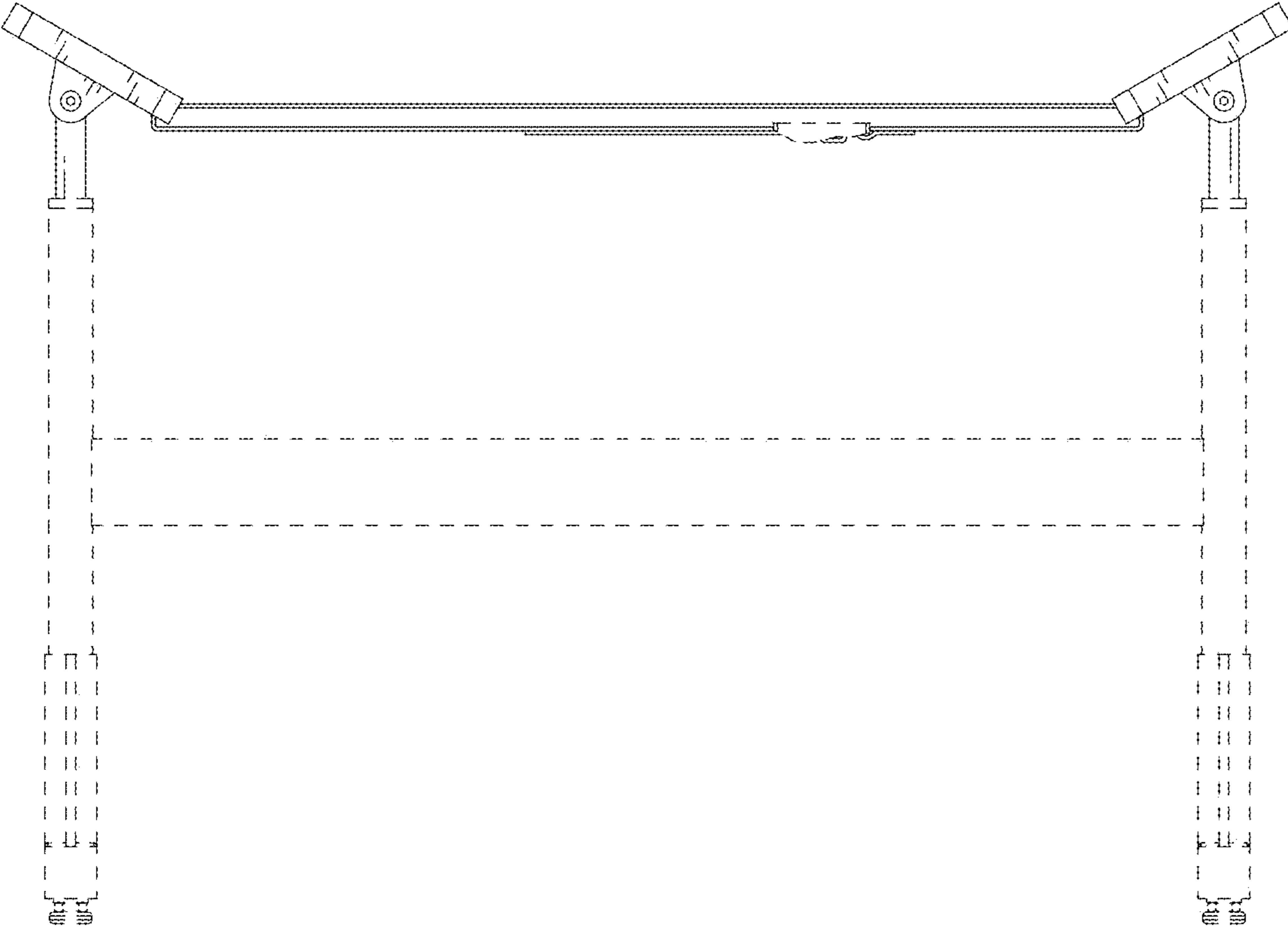


FIG. 3

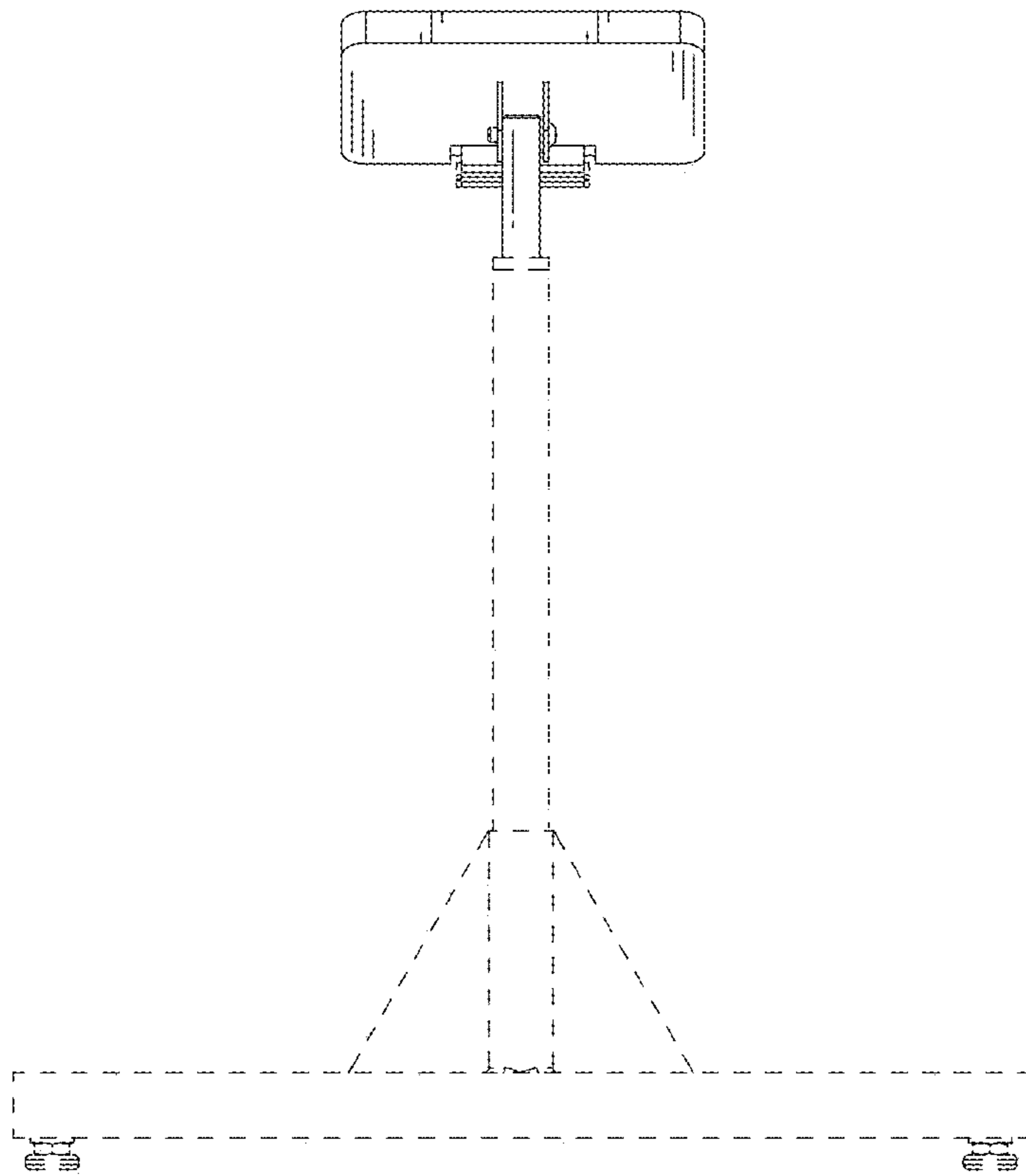


FIG. 4

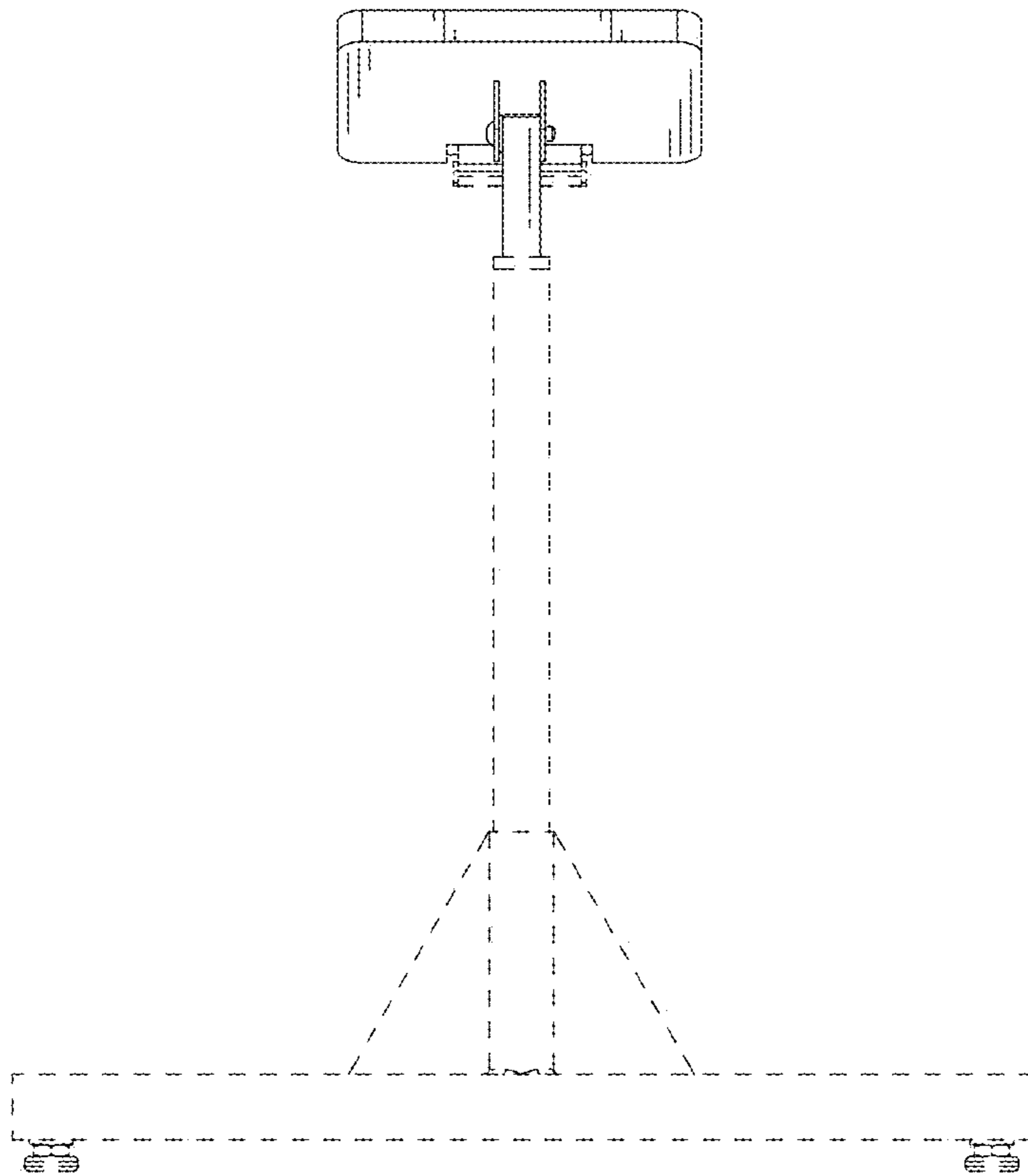


FIG. 5

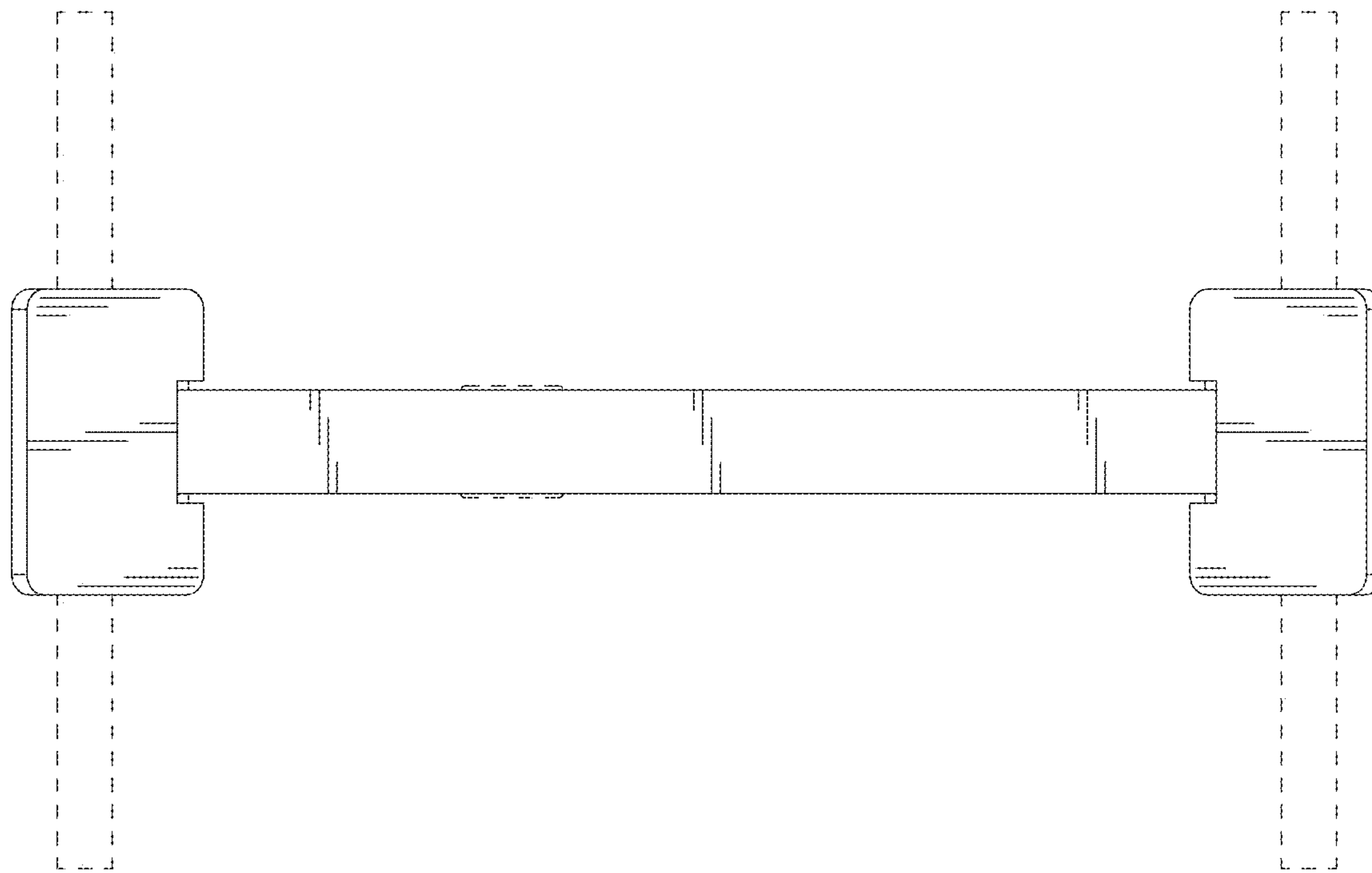


FIG. 6

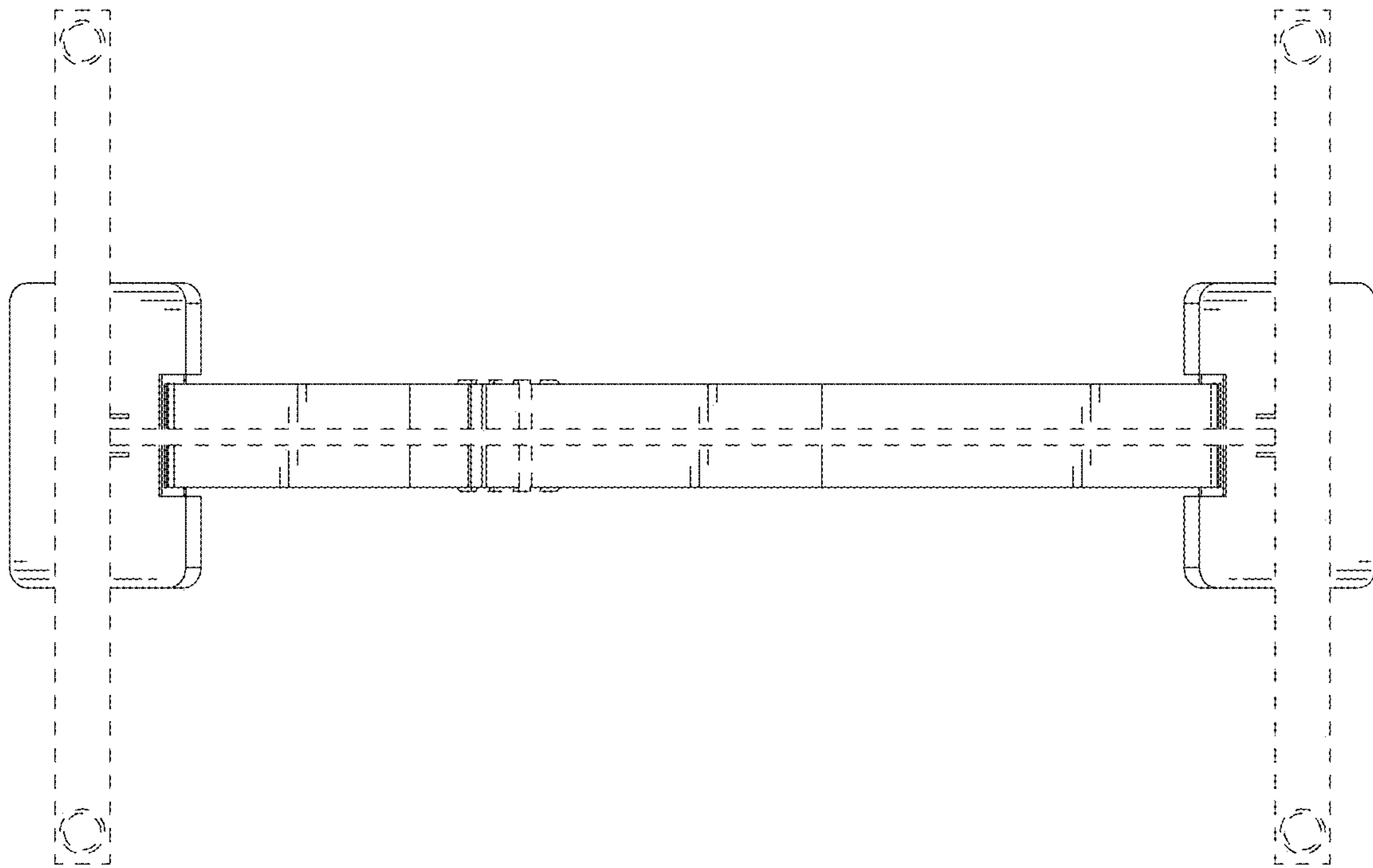


FIG. 7