



US00D944124S

(12) **United States Design Patent** (10) **Patent No.:** **US D944,124 S**  
**Spada** (45) **Date of Patent:** **\*\* Feb. 22, 2022**

(54) **LORRY**  
(71) Applicant: **EVUM Motors GmbH**, Munich (DE)  
(72) Inventor: **Paolo Spada**, Turin (IT)  
(\*\*) Term: **15 Years**  
(21) Appl. No.: **35/510,230**  
(22) Filed: **Mar. 4, 2020**  
(80) **Hague Agreement Data**  
Int. Filing Date: **Mar. 4, 2020**  
Int. Reg. No.: **DM/209297**  
Int. Reg. Date: **Mar. 4, 2020**  
Int. Reg. Pub. Date: **Sep. 4, 2020**

(30) **Foreign Application Priority Data**  
Sep. 6, 2019 (DE) ..... 402019100969.8  
(51) **LOC (13) Cl.** ..... **12-08**  
(52) **U.S. Cl.**  
USPC ..... **D12/93**  
CPC ..... **B62D 25/06** (2013.01)  
(58) **Field of Classification Search**  
USPC ..... D12/14, 16, 88, 89-96, 181, 184, 190,  
D12/191, 196, 400; D21/424, 561, 562;  
296/35.2, 193.09, 193.1, 203.2, 183.1,  
296/180.1, 180.2; 180/89.16, 89.18,  
180/89.19, 292  
CPC ..... B62D 25/00; B62D 25/06; B62D 33/00;  
B62D 35/00  
See application file for complete search history.

(56) **References Cited**  
U.S. PATENT DOCUMENTS  
D463,326 S \* 9/2002 Takeda ..... D12/14  
7,281,753 B2 \* 10/2007 Curtis, Jr. .... B60J 5/0487  
296/146.1  
D567,885 S \* 4/2008 Amadio ..... D21/559

D621,423 S \* 8/2010 Nakanishi ..... D15/23  
D628,125 S \* 11/2010 Nemoto ..... D12/96  
D636,295 S \* 4/2011 Eck ..... D12/1  
D640,598 S \* 6/2011 Zhang ..... D12/16  
D645,380 S \* 9/2011 Beigel ..... D12/96  
D678,173 S \* 3/2013 McIntire ..... D12/401  
D689,396 S \* 9/2013 Wang ..... D12/14  
D691,924 S \* 10/2013 Smith ..... D12/96  
D699,627 S \* 2/2014 Tang ..... D12/14  
D703,105 S \* 4/2014 Riggs ..... D12/96  
D716,693 S \* 11/2014 Higashikawa ..... D12/14  
8,888,163 B1 \* 11/2014 Johnson ..... B60J 1/20  
296/84.1  
D721,012 S \* 1/2015 Zhang ..... D12/16  
D734,689 S \* 7/2015 Hashimoto ..... D12/87  
D755,077 S \* 5/2016 Lyons ..... D12/14  
9,371,044 B1 \* 6/2016 Sadri ..... B62D 25/12  
D764,972 S \* 8/2016 Gonzalez ..... D12/14  
D764,973 S \* 8/2016 Mikhailov ..... D12/14

(Continued)

Primary Examiner — Richard E Chilcot

(57) **CLAIM**  
The ornamental design for a lorry, as shown and described.

**DESCRIPTION**  
The patent or application file contains at least one drawing executed in color. Copies of this patent or patent application publication with color drawing(s) will be provided by the Office upon request and payment of the necessary fee.  
1.-3. Lorry  
1.1 : Right front view  
1.2 : left back side view  
1.3 : Front  
2.1 : Left  
2.2 : front right side view  
2.3 : back left side view  
2.4 : Front  
3.1 : left back side view  
3.2 : right front side view  
3.3 : Left

**1 Claim, 10 Drawing Sheets**  
**(7 of 10 Drawing Sheet(s) Filed in Color)**



(56)

**References Cited**

U.S. PATENT DOCUMENTS

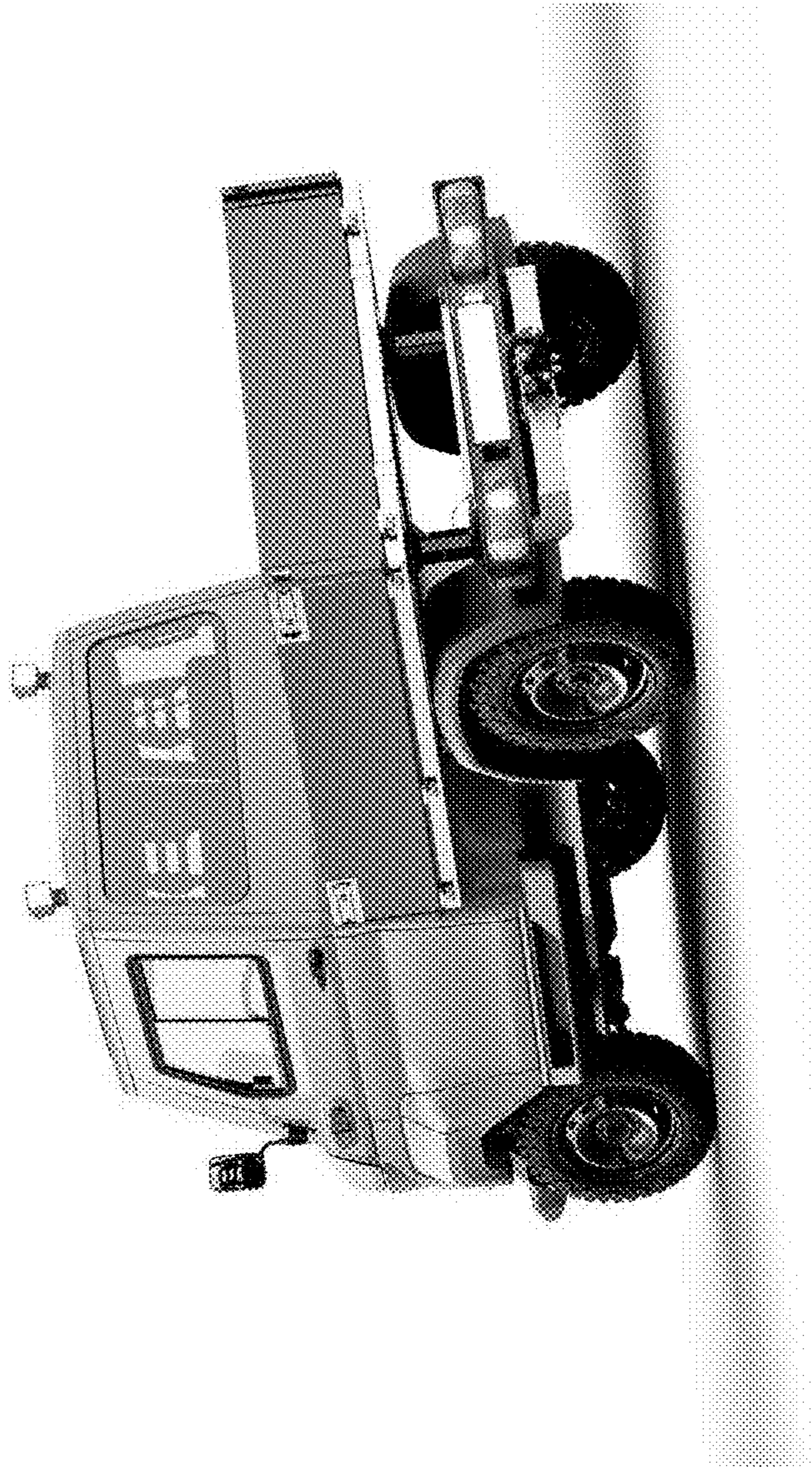
D764,974 S \* 8/2016 Mikhailov ..... D12/14  
D767,444 S \* 9/2016 Chun ..... D12/14  
D769,789 S \* 10/2016 Golden ..... D12/404  
D772,757 S \* 11/2016 Tu ..... D12/91  
D784,199 S \* 4/2017 Dunshee ..... D12/14  
D828,225 S \* 9/2018 Zhang ..... D12/93  
D832,149 S \* 10/2018 Wilcox ..... D12/107  
D847,080 S \* 4/2019 Jameson ..... D12/403  
D847,081 S \* 4/2019 Jameson ..... D12/403  
D871,267 S \* 12/2019 Armigliato ..... D12/93  
D882,702 S \* 4/2020 Talios ..... D21/433  
D913,858 S \* 3/2021 Wang ..... D12/98  
D924,986 S \* 7/2021 Wood ..... D21/552  
2011/0156440 A1 \* 6/2011 Masuda ..... B60R 21/06  
296/182.1  
2015/0047917 A1 \* 2/2015 Burt, II ..... B60K 5/00  
180/292

\* cited by examiner



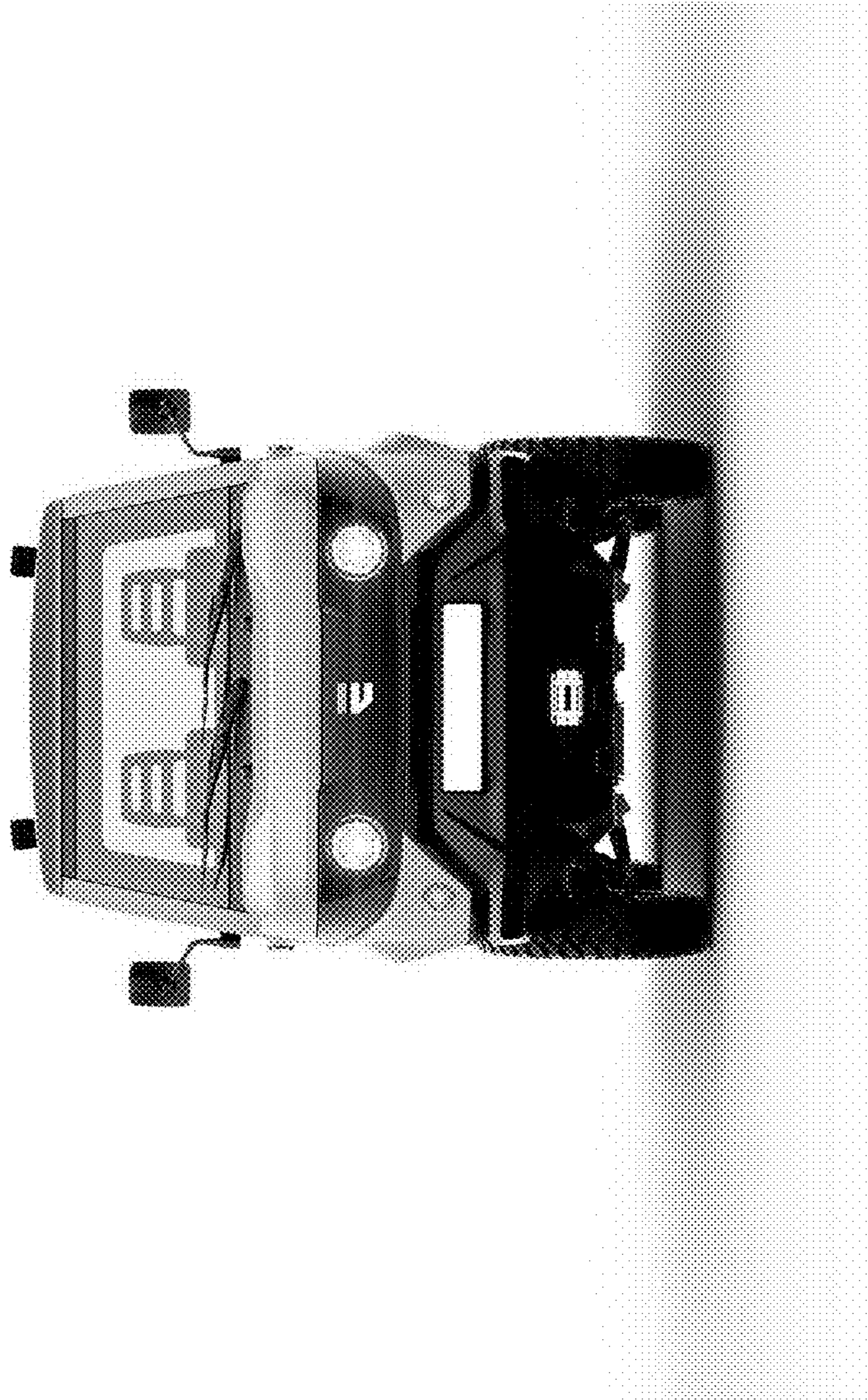


1.1

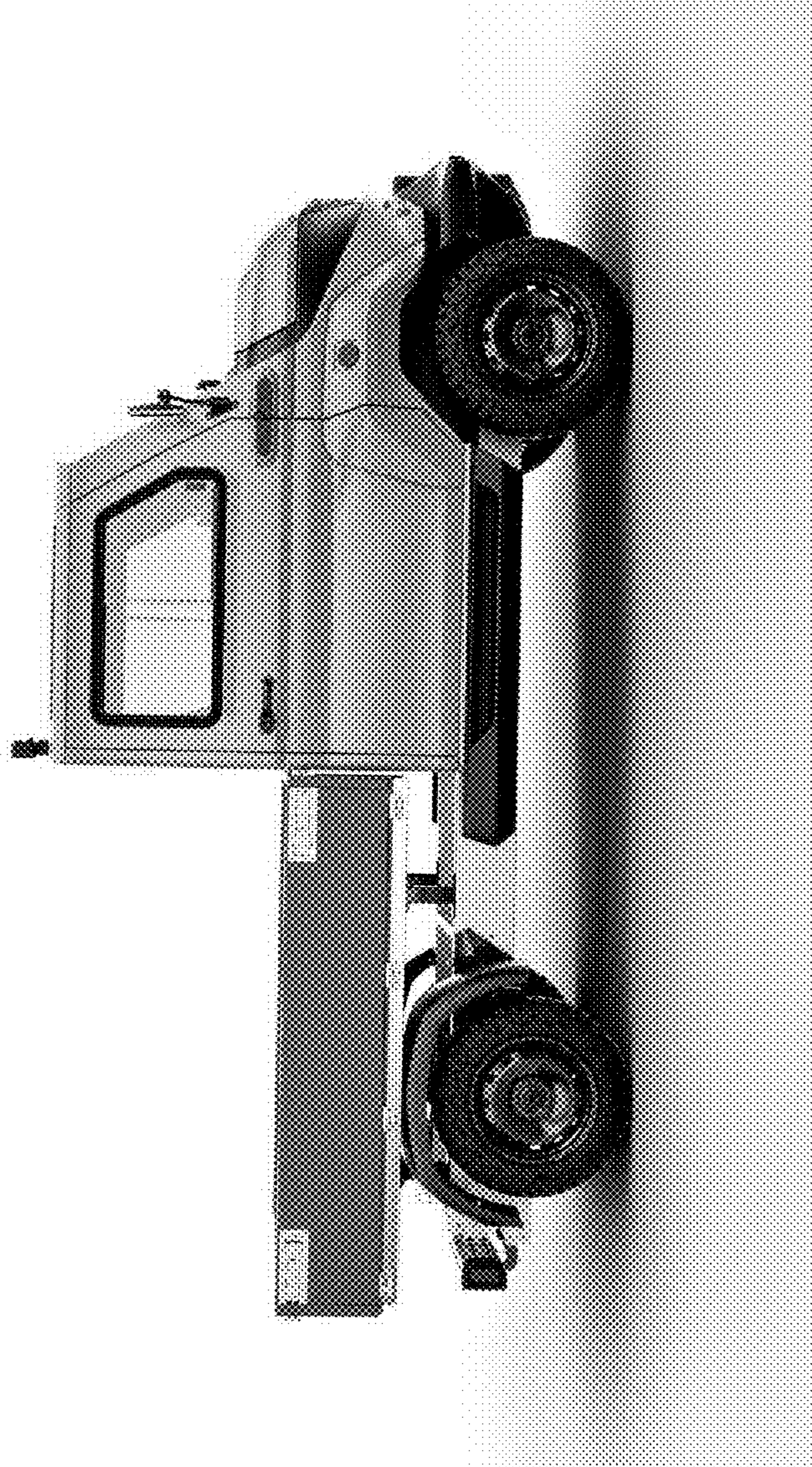


1.2





1.3

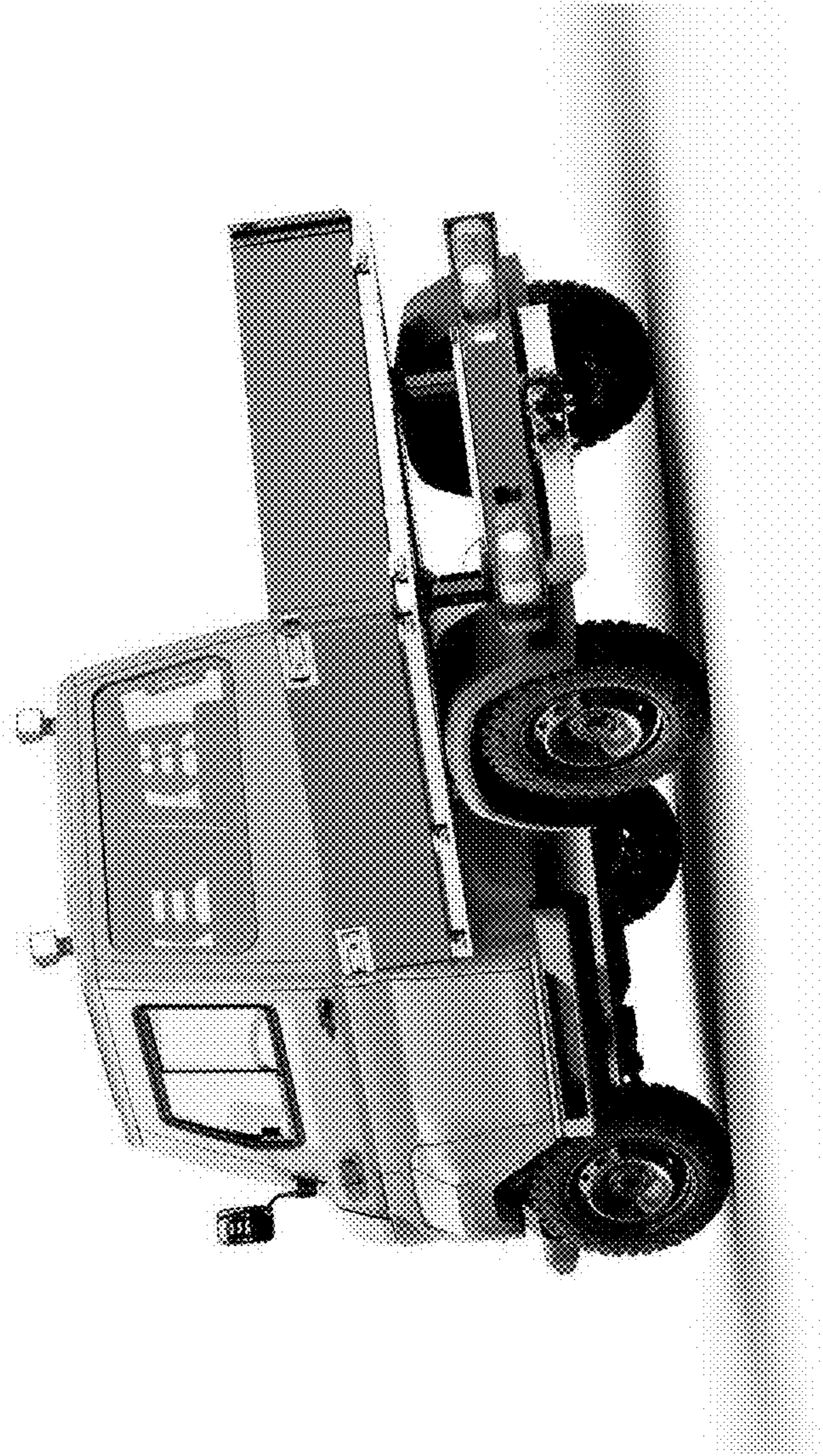


2.1



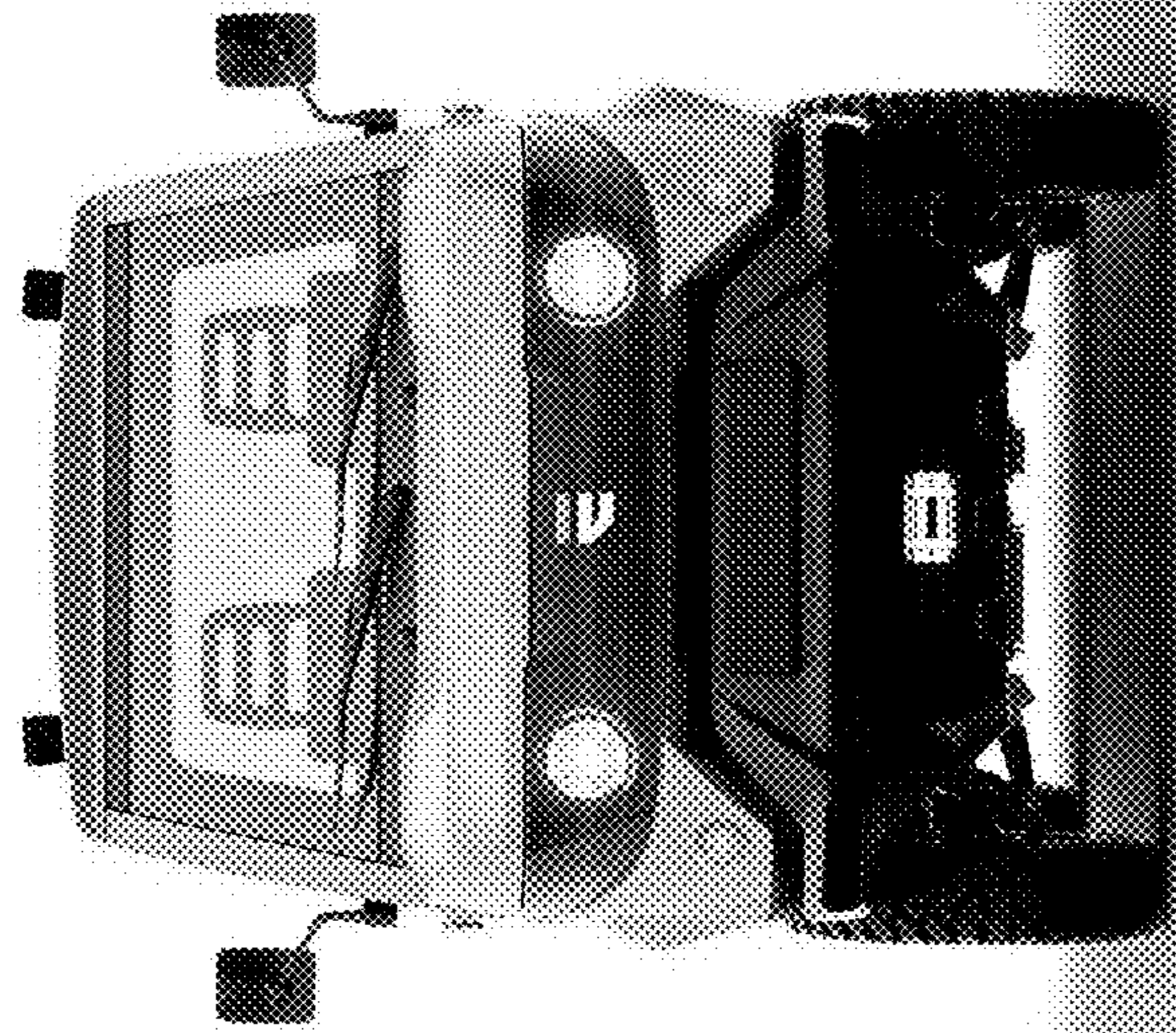


2.2



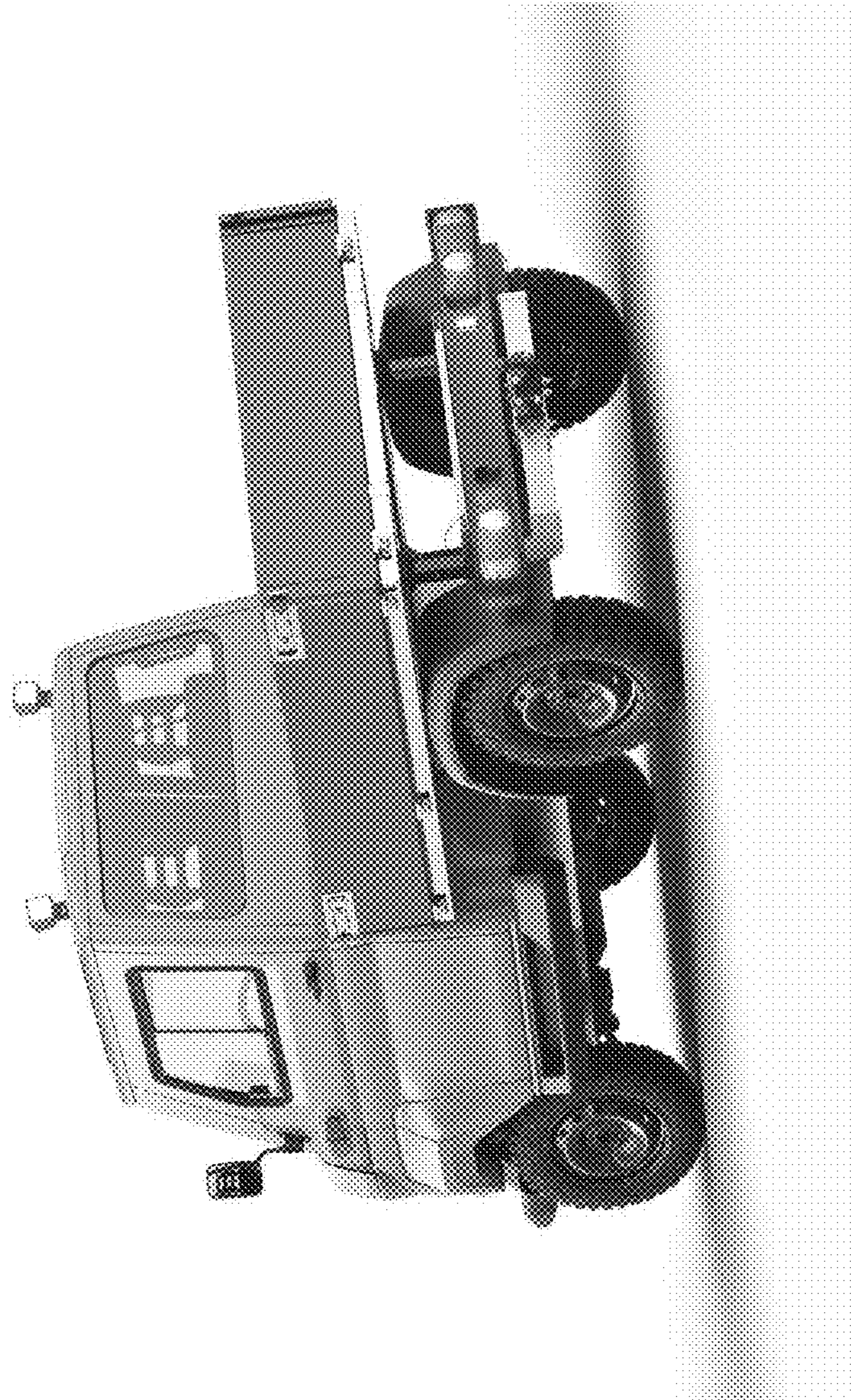
2.3





2.4

3.1

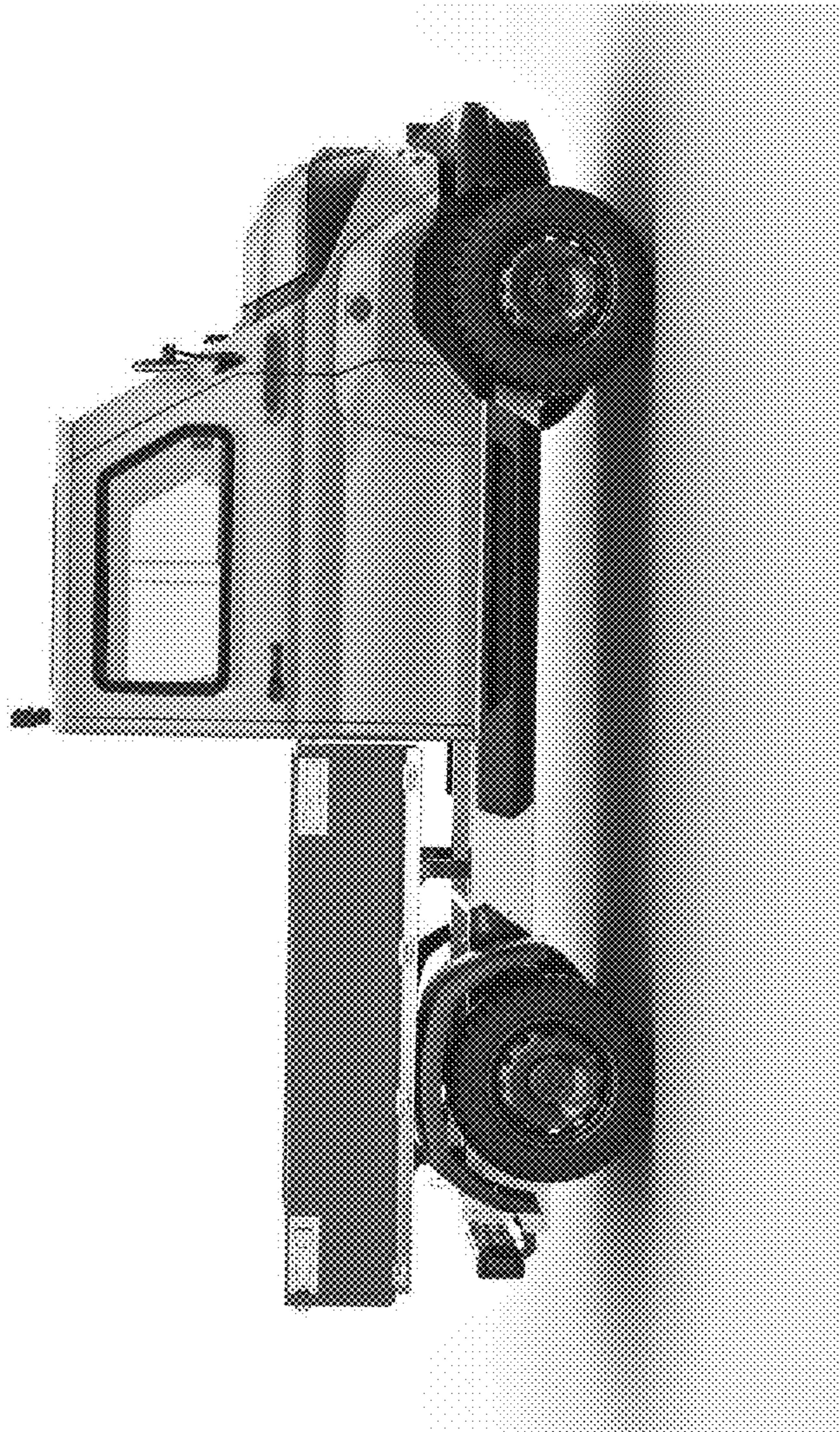






3.2





3.3