



US00D944122S

(12) **United States Design Patent** (10) **Patent No.:** **US D944,122 S**  
**Wraith et al.** (45) **Date of Patent:** **\*\* Feb. 22, 2022**

(54) **MOTOR VEHICLE, TOY VEHICLE REPLICA AND/OR OTHER REPLICA**

(71) Applicant: **Ford Global Technologies, LLC**, Dearborn, MI (US)  
(72) Inventors: **Paul Wraith**, West Bloomfield, MI (US); **Todd Willing**, East Melbourne (AU); **Dong Hoon Park**, Canton, MI (US); **Joseph F. Denatale**, Royal Oak, MI (US); **Alyssa Melotik**, Troy, MI (US)  
(73) Assignee: **Ford Global Technologies, LLC**, Dearborn, MI (US)

(\*\*) Term: **15 Years**

(21) Appl. No.: **29/754,875**

(22) Filed: **Oct. 15, 2020**

(51) **LOC (13) Cl.** ..... **12-08**

(52) **U.S. Cl.**  
USPC ..... **D12/91**

(58) **Field of Classification Search**  
USPC ..... D12/86, 90-92, 88; D21/424, 433, 434, D21/533; 296/181.1-181.5, 183.1  
CPC ..... B62D 25/00; B62D 25/06; B62D 33/00; B62D 35/00  
See application file for complete search history.

(56) **References Cited**

**U.S. PATENT DOCUMENTS**

D801,860 S	*	11/2017	Piscitelli	.....	D12/91
D810,626 S	*	2/2018	Macey	.....	D12/91
D827,495 S	*	9/2018	Piscitelli	.....	D12/91
D840,270 S	*	2/2019	Goodrich	.....	D12/91
D840,271 S	*	2/2019	Goodrich	.....	D12/91
D913,852 S	*	3/2021	Wraith	.....	D12/91
D913,853 S	*	3/2021	Wraith	.....	D12/91
D924,101 S	*	7/2021	Wraith	.....	D12/91
D929,258 S	*	8/2021	Wraith	.....	D12/91

**OTHER PUBLICATIONS**

Unknown, My observations from seeing see the actual 4-door Bronco raw, unpainted sheet metal shell, Feb. 15, 2020 <https://www.bronco6g.com/forum/threads/my-observations-from-seeing-see-the-actual-4-door-bronco-raw-unpainted-sheet-metal-shell.1048/>.  
Unknown, Here's the 2021 Bronco's Tail Light Shape Illuminated, Feb. 19, 2020 <https://www.bronco6g.com/forum/threads/heres-the-2021-broncos-tail-light-shape-illuminated.1071/>.  
Unknown, 2021 Bronco Interior Spied Undisguised!!, Feb. 25, 2020 <https://www.bronco6g.com/forum/threads/2021-bronco-interior-spied-undisguised.1096/>.  
Arrian Padeanu, 2021 Ford Bronco Gets Five Adventure Concepts to Mark SUVs Birthday, Aug. 13, 2020 <https://www.motor1.com/news/438885/2021-ford-bronco-adventure-concepts>.

\* cited by examiner

*Primary Examiner* — Melody N Brown

(74) *Attorney, Agent, or Firm* — Michael Spenner

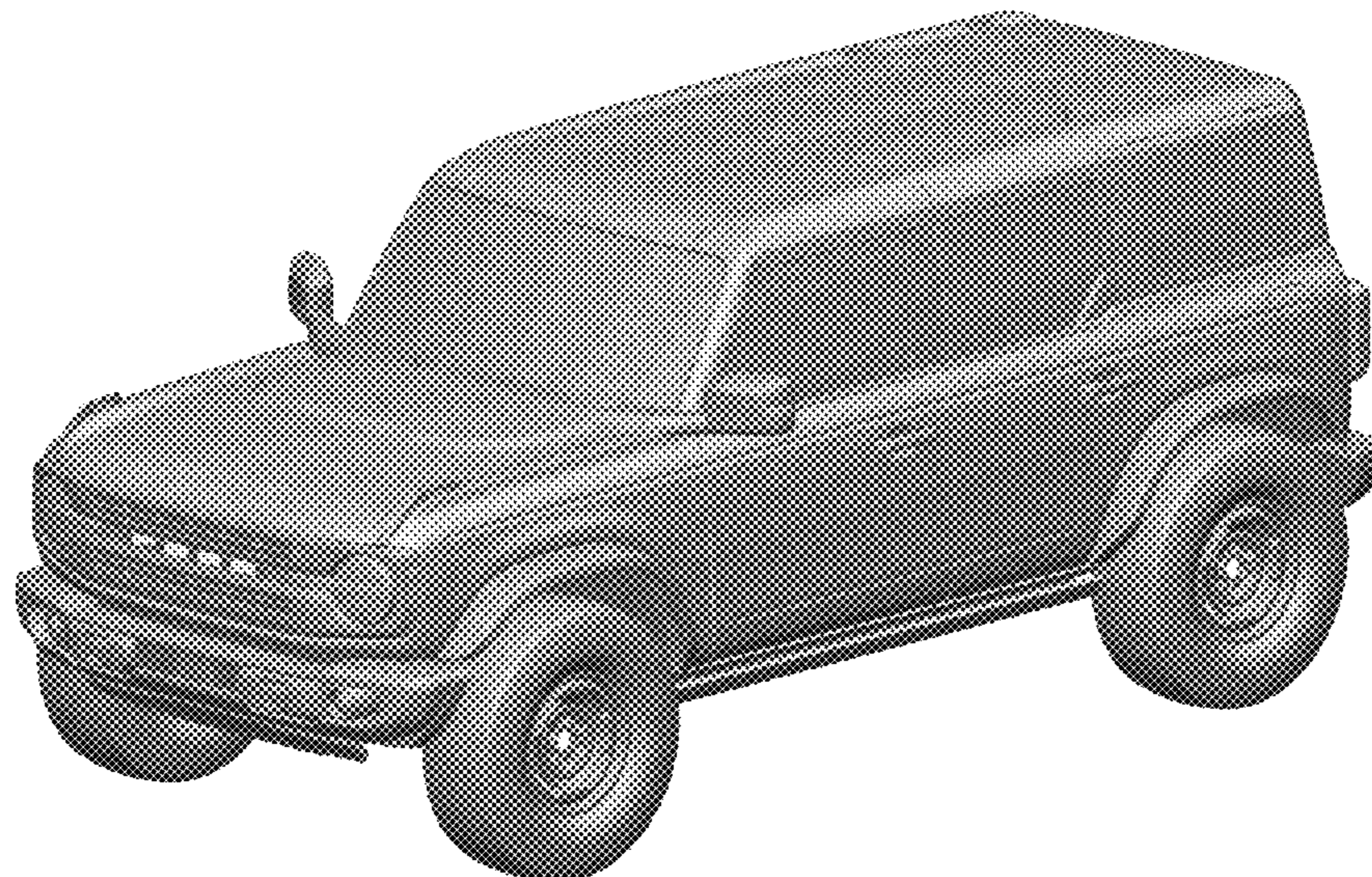
(57) **CLAIM**

The ornamental design for a motor vehicle, toy vehicle replica and/or other replica, as shown and described.

**DESCRIPTION**

FIG. 1 is a front elevational view of a motor vehicle, toy vehicle replica and/or other replica showing our new design; FIG. 2 is a rear elevational view thereof; FIG. 3 is a left side elevational view thereof; FIG. 4 is a right side elevational view thereof; FIG. 5 is a top plan view thereof. FIG. 6 is a top, front, and left side perspective view thereof; and, FIG. 7 is a top, rear, and left side perspective view thereof. The claimed design is indicated by the relatively dark portions in the figures. The de-emphasized and relatively light portions form no part of the claimed design.

**1 Claim, 7 Drawing Sheets**





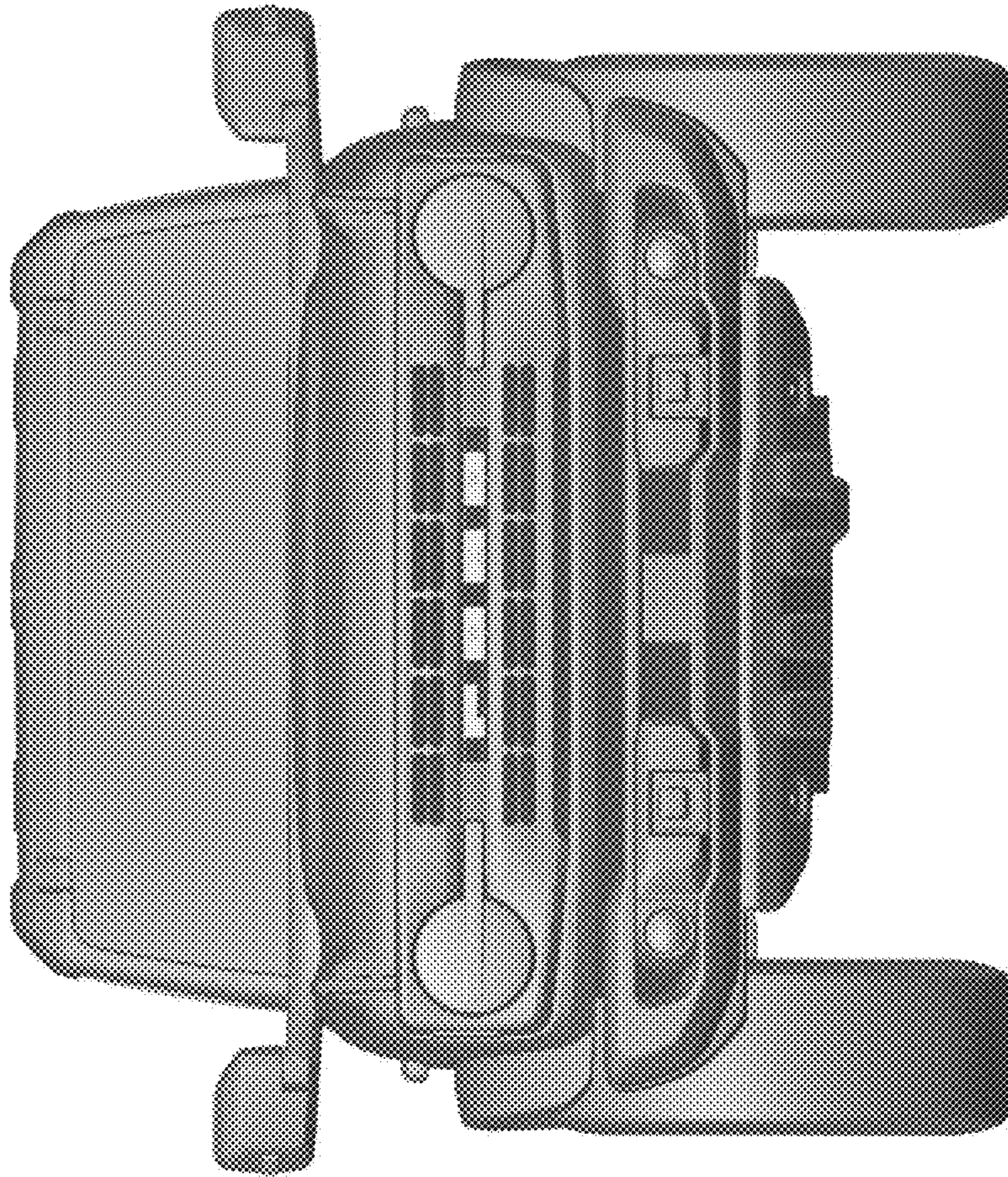


Fig. 1



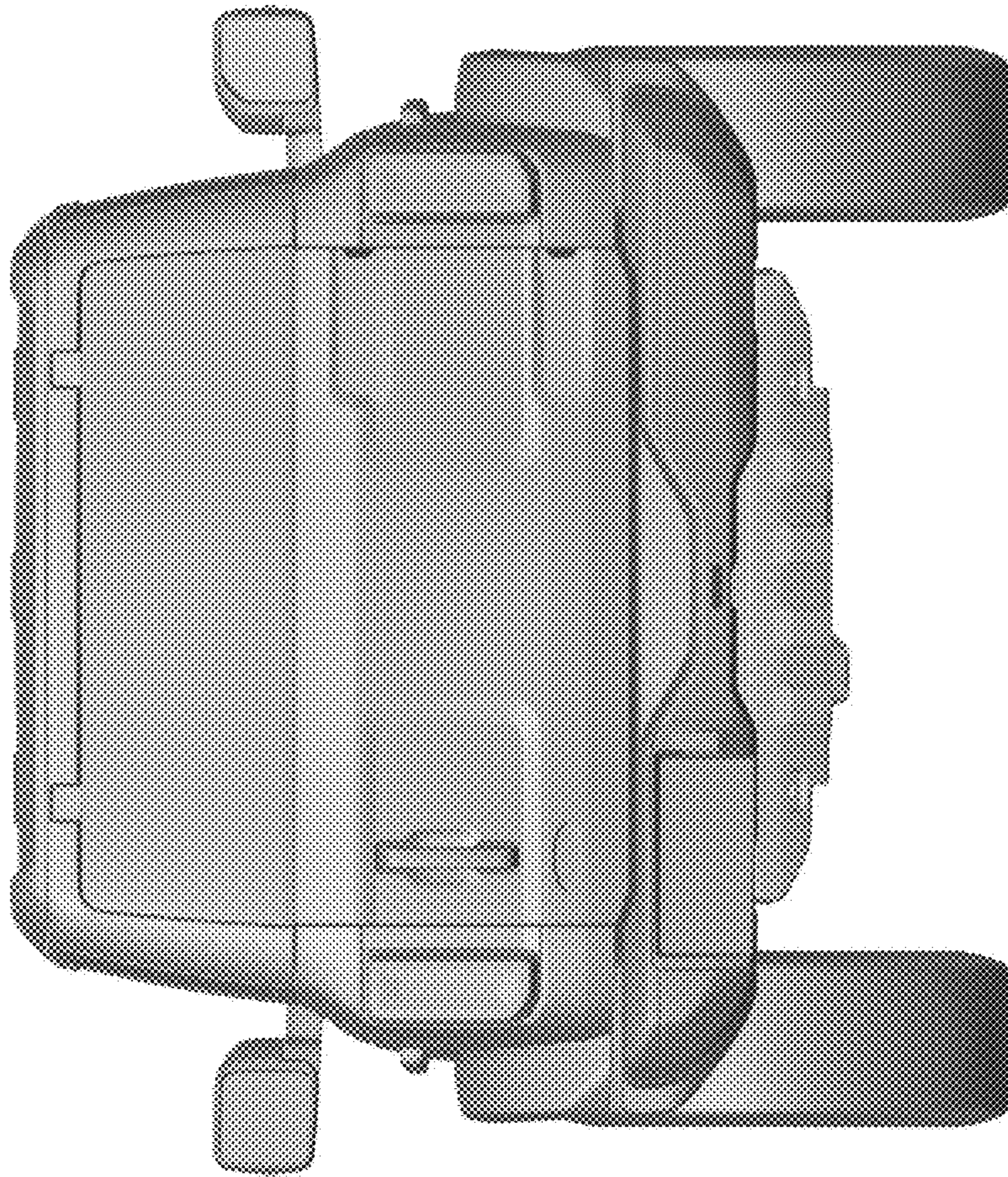


Fig. 2



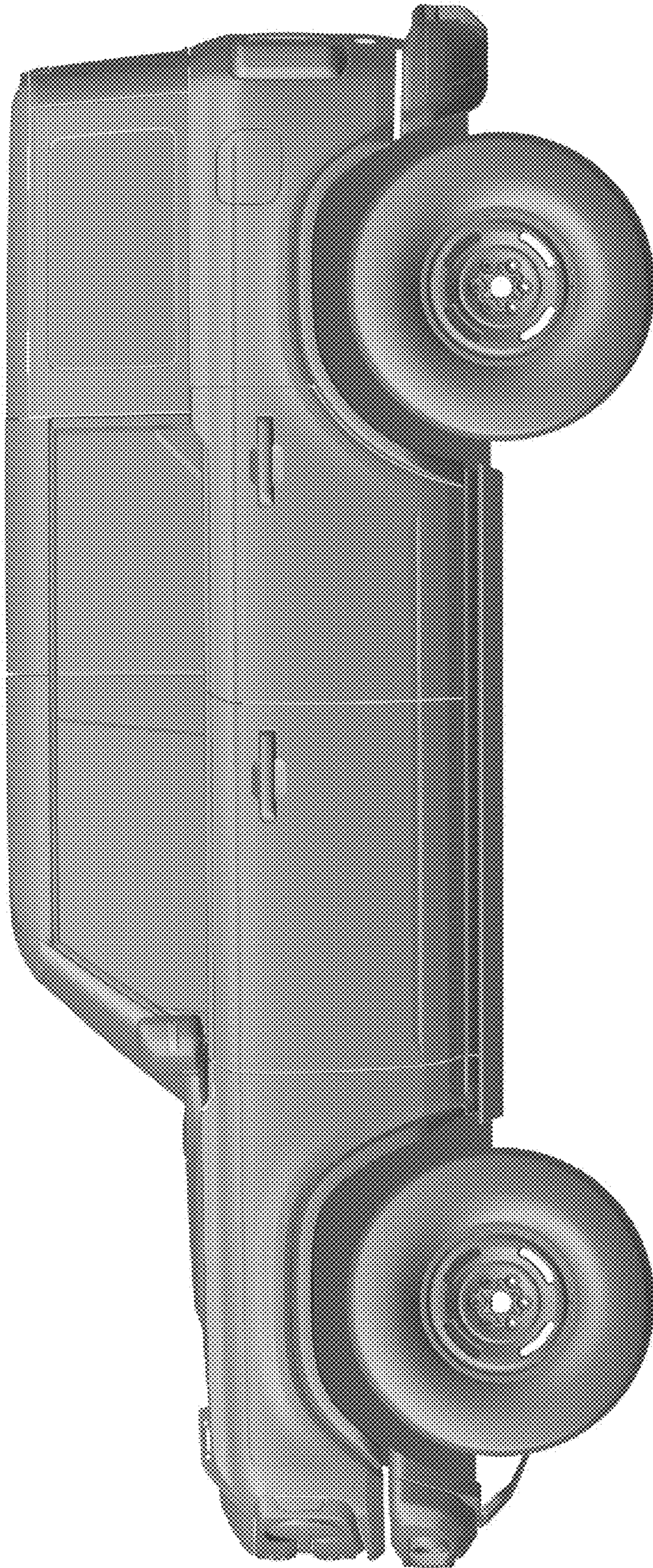


Fig. 3



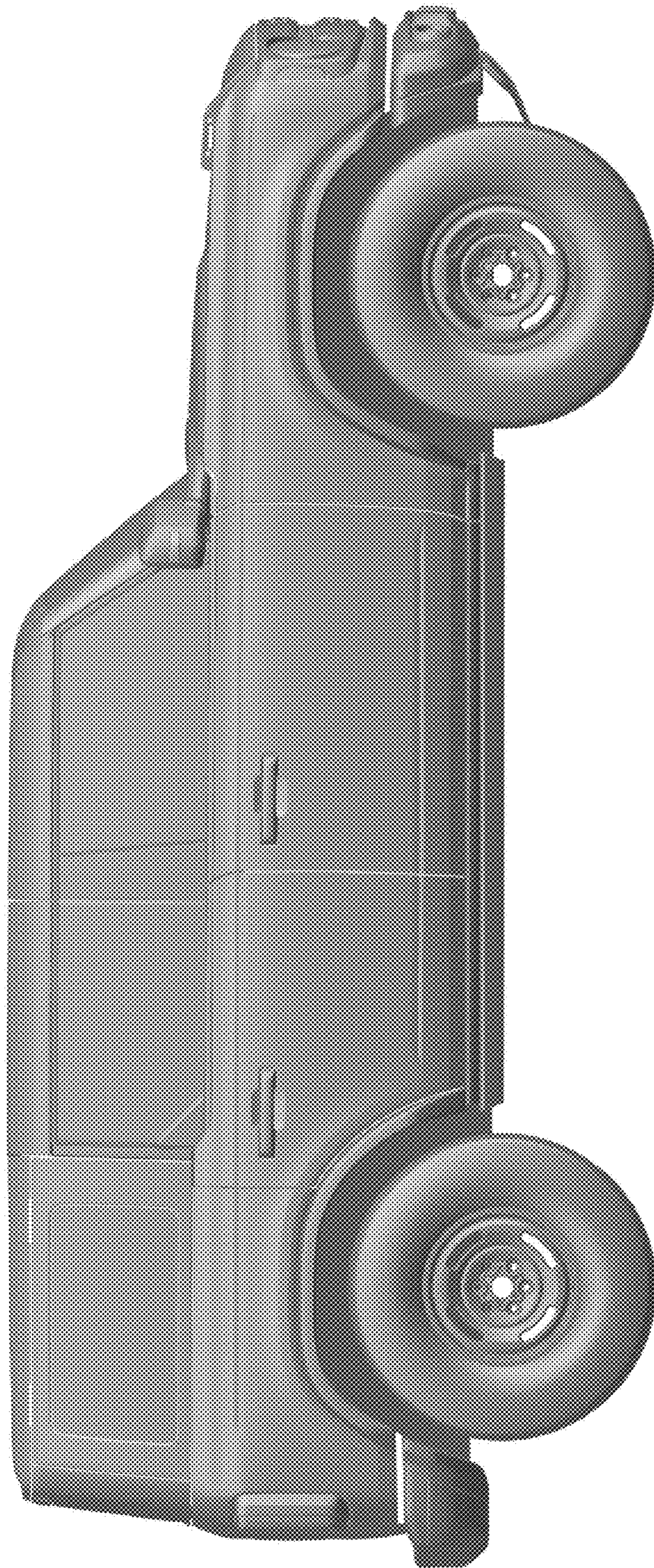


Fig. 4



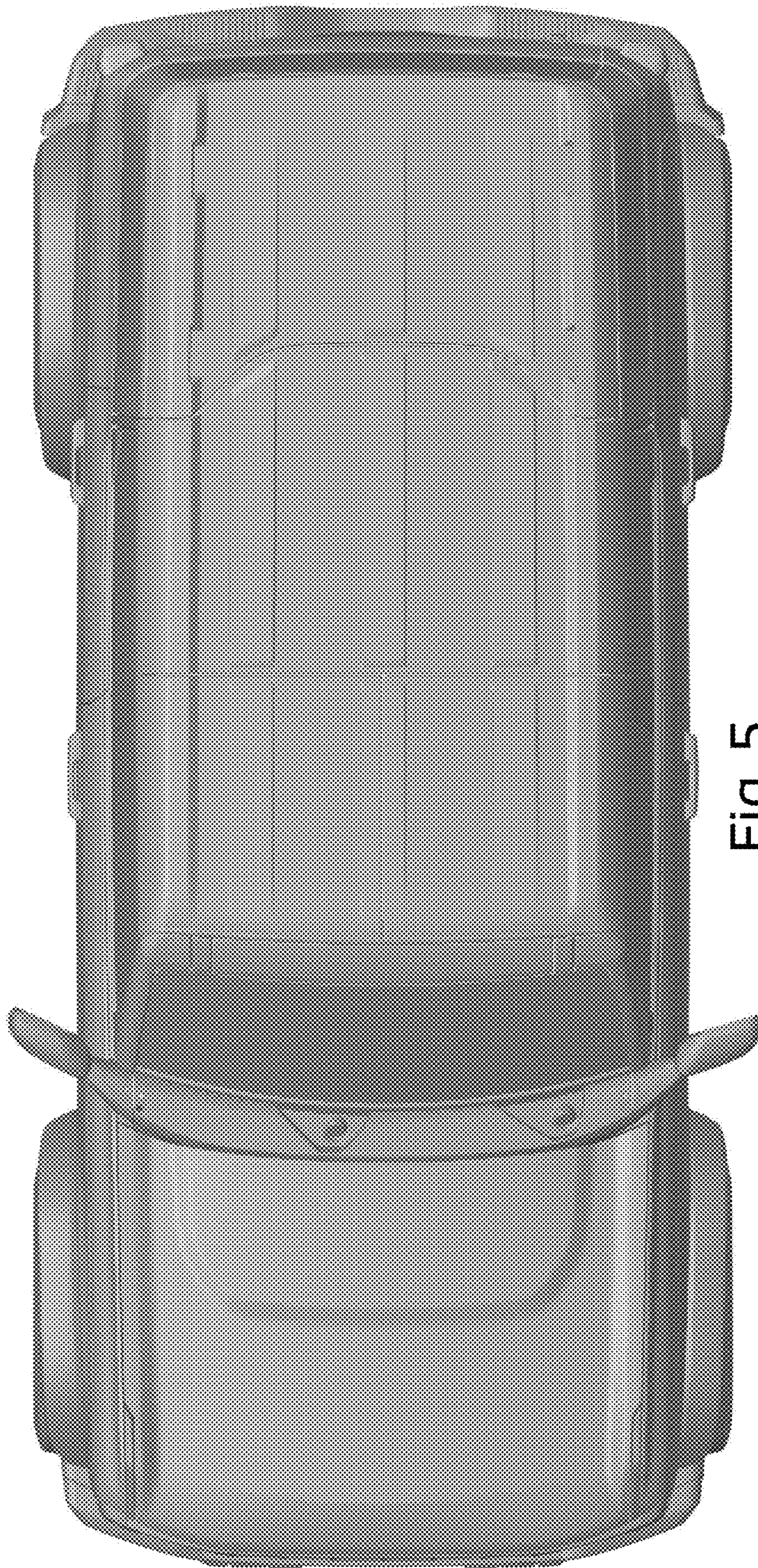


Fig. 5



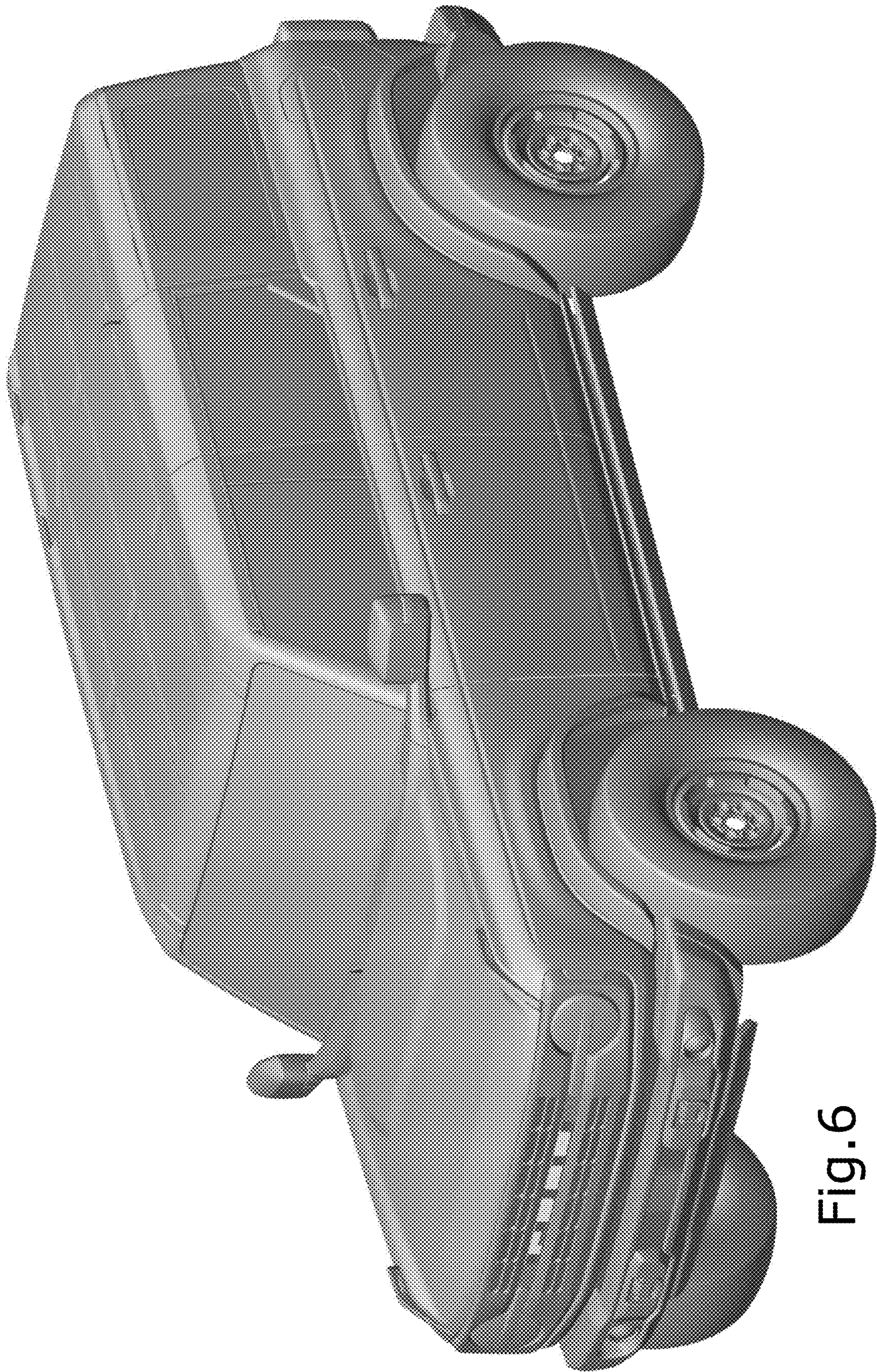


Fig.6



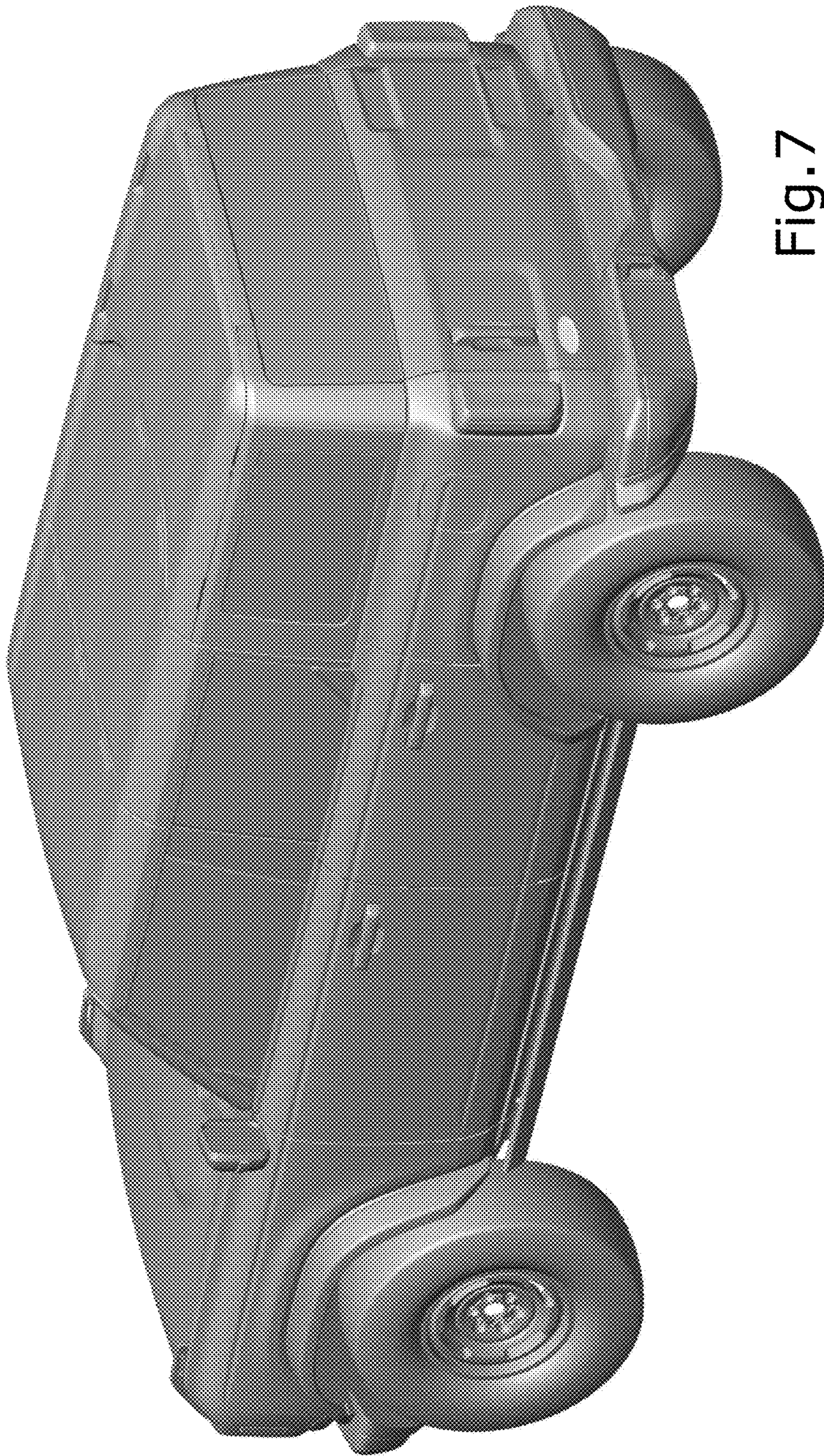


Fig. 7