



US00D944119S

(12) **United States Design Patent**
Fisker

(10) **Patent No.:** **US D944,119 S**

(45) **Date of Patent:** **** Feb. 22, 2022**

- (54) **AUTOMOTIVE VEHICLE BODY**
- (71) Applicant: **Fisker Inc.**, Manhattan Beach, CA (US)
- (72) Inventor: **Henrik Fisker**, West Hollywood, CA (US)
- (73) Assignee: **Fisker Inc.**, Manhattan Beach, CA (US)
- (**) Term: **15 Years**
- (21) Appl. No.: **29/735,838**
- (22) Filed: **May 25, 2020**
- (51) **LOC (13) Cl.** **12-08**
- (52) **U.S. Cl.**
USPC **D12/91**
- (58) **Field of Classification Search**
USPC D12/86, 90-92, 164; D21/433, 434,
D21/531-535; 296/181.1-181.5, 183.1
CPC B62D 25/00; B62D 25/06; B62D 33/00;
B62D 35/00
See application file for complete search history.

- D885,981 S * 6/2020 Lian D12/91
- D896,126 S * 9/2020 Platto D12/91
- D898,616 S * 10/2020 Jung D12/91
- D898,621 S * 10/2020 Fahr-Becker D12/91
- D901,332 S * 11/2020 Lee D12/86

* cited by examiner

Primary Examiner — Melody N Brown
(74) *Attorney, Agent, or Firm* — Finnegan, Henderson, Farabow, Garrett & Dunner, LLP

(57) **CLAIM**

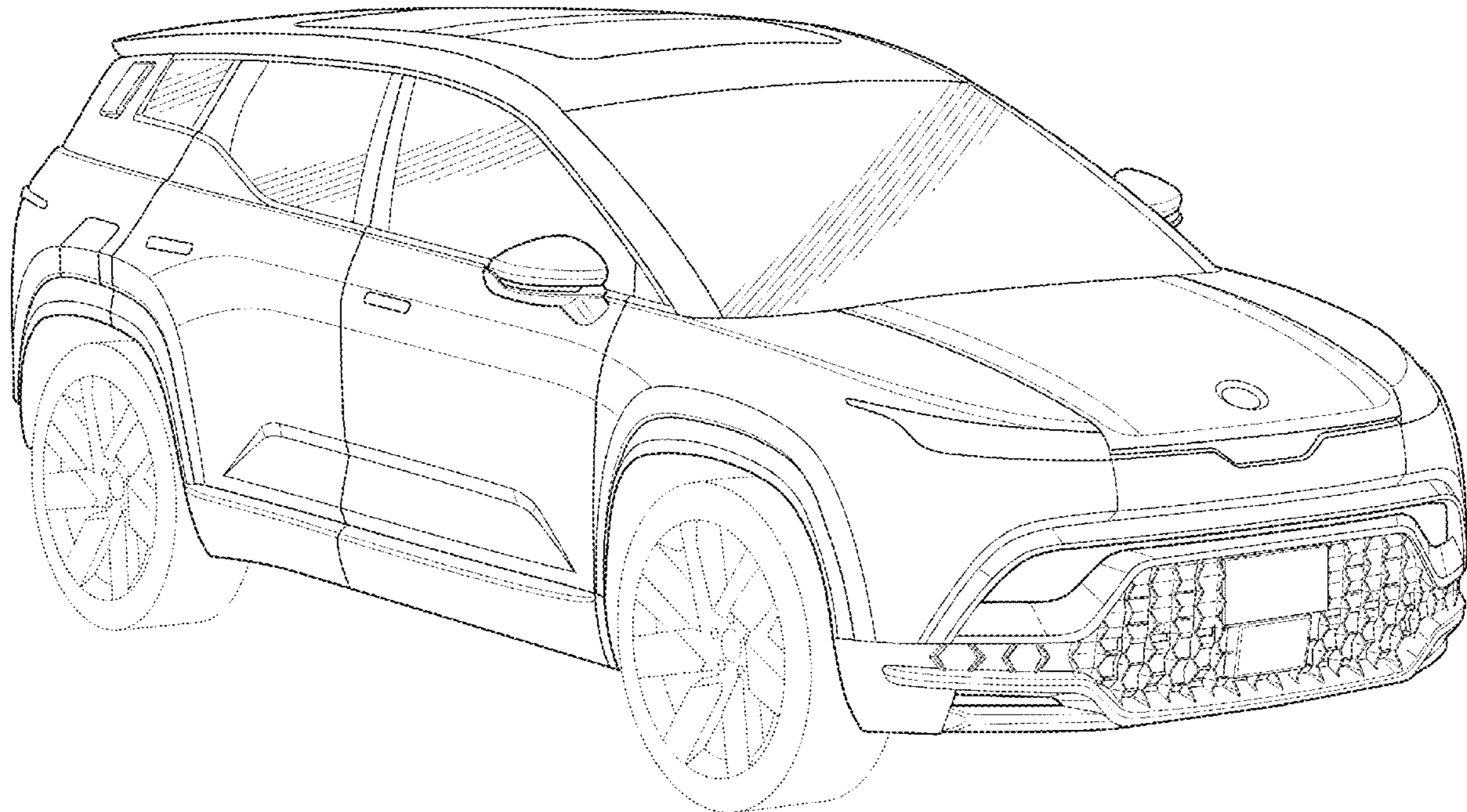
I claim the ornamental design for an automotive vehicle body, as shown and described.

DESCRIPTION

FIG. 1 is a top, front and left side perspective view of an automotive vehicle body showing my new design; FIG. 2 is a left side elevational view thereof; FIG. 3 is a right side elevational view thereof; FIG. 4 is a rear elevational view thereof; FIG. 5 is a front elevational view thereof; and, FIG. 6 is a top plan view thereof; and, FIG. 7 is a bottom plan view thereof. The wheels shown in broken lines throughout the drawing views are for illustrative and environmental purposes that form no part of the claimed design.

1 Claim, 6 Drawing Sheets

- (56) **References Cited**
U.S. PATENT DOCUMENTS
- D814,353 S * 4/2018 Kim D12/91
- D815,987 S * 4/2018 Lian D12/91
- D834,452 S * 11/2018 Kim D12/91
- D881,071 S * 4/2020 Tonello D12/91
- D885,257 S * 5/2020 Churchill D12/91



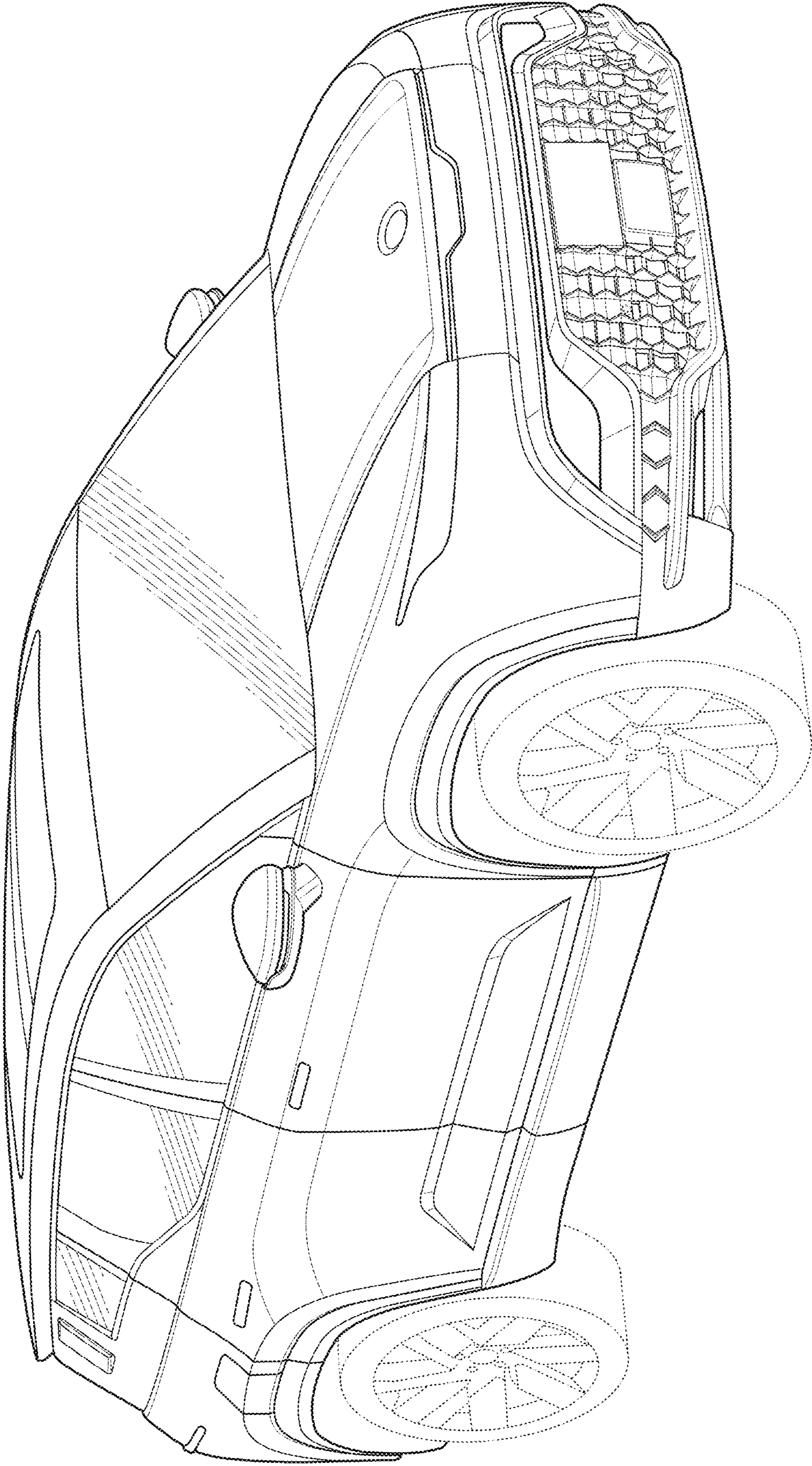


FIG. 1

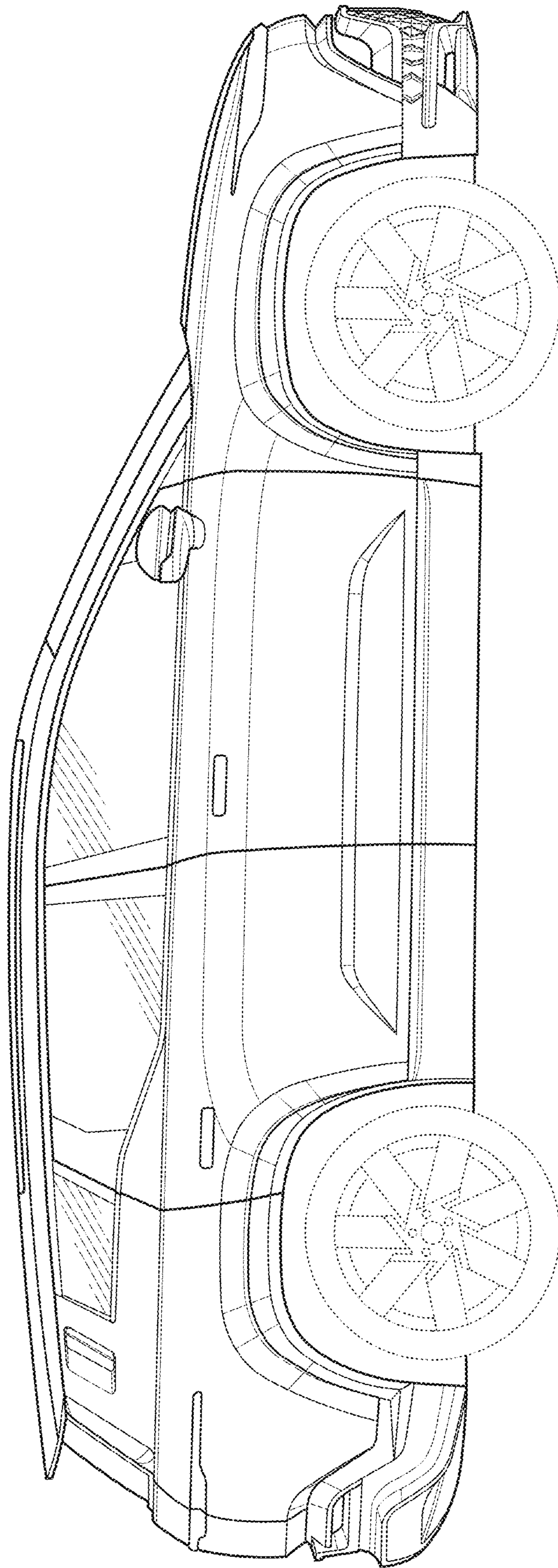


FIG. 2

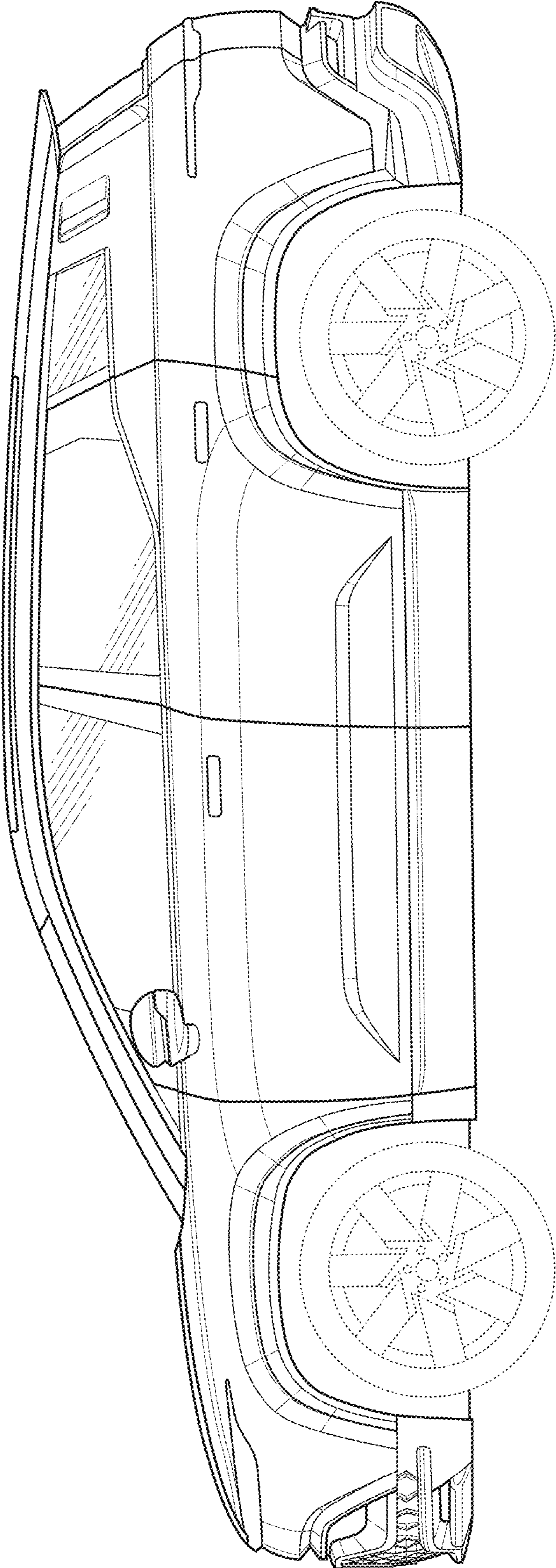


FIG. 3

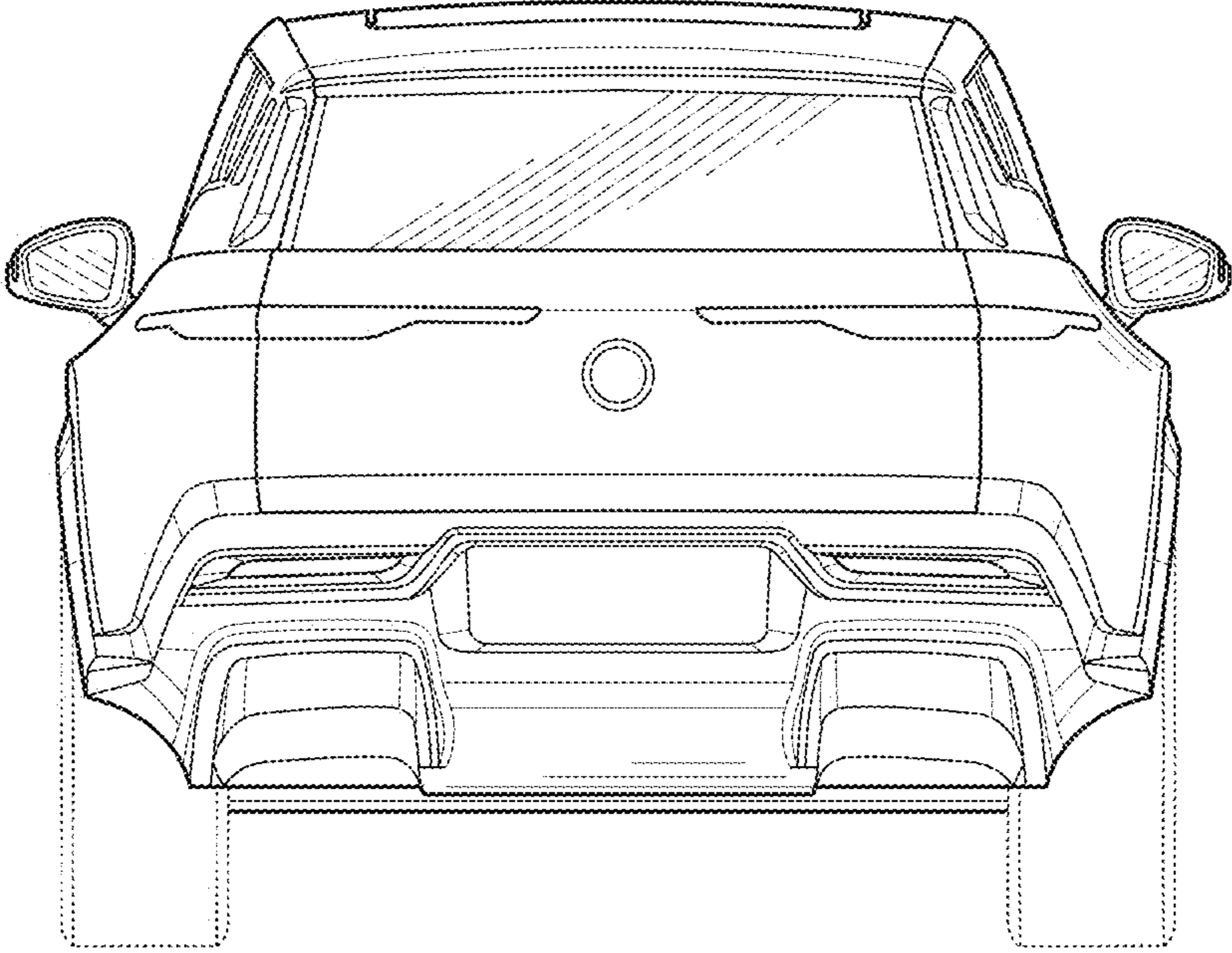


FIG. 4

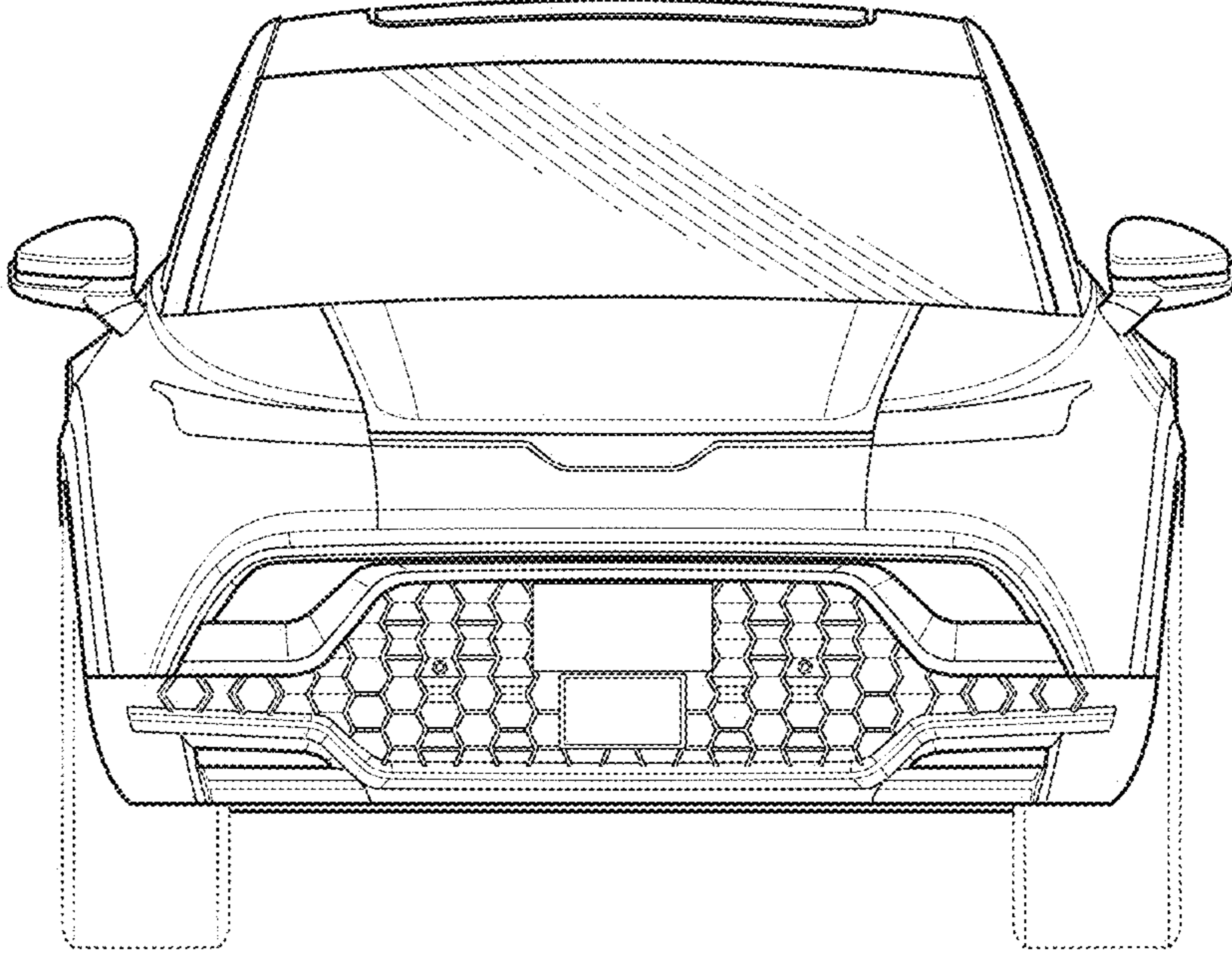


FIG. 5

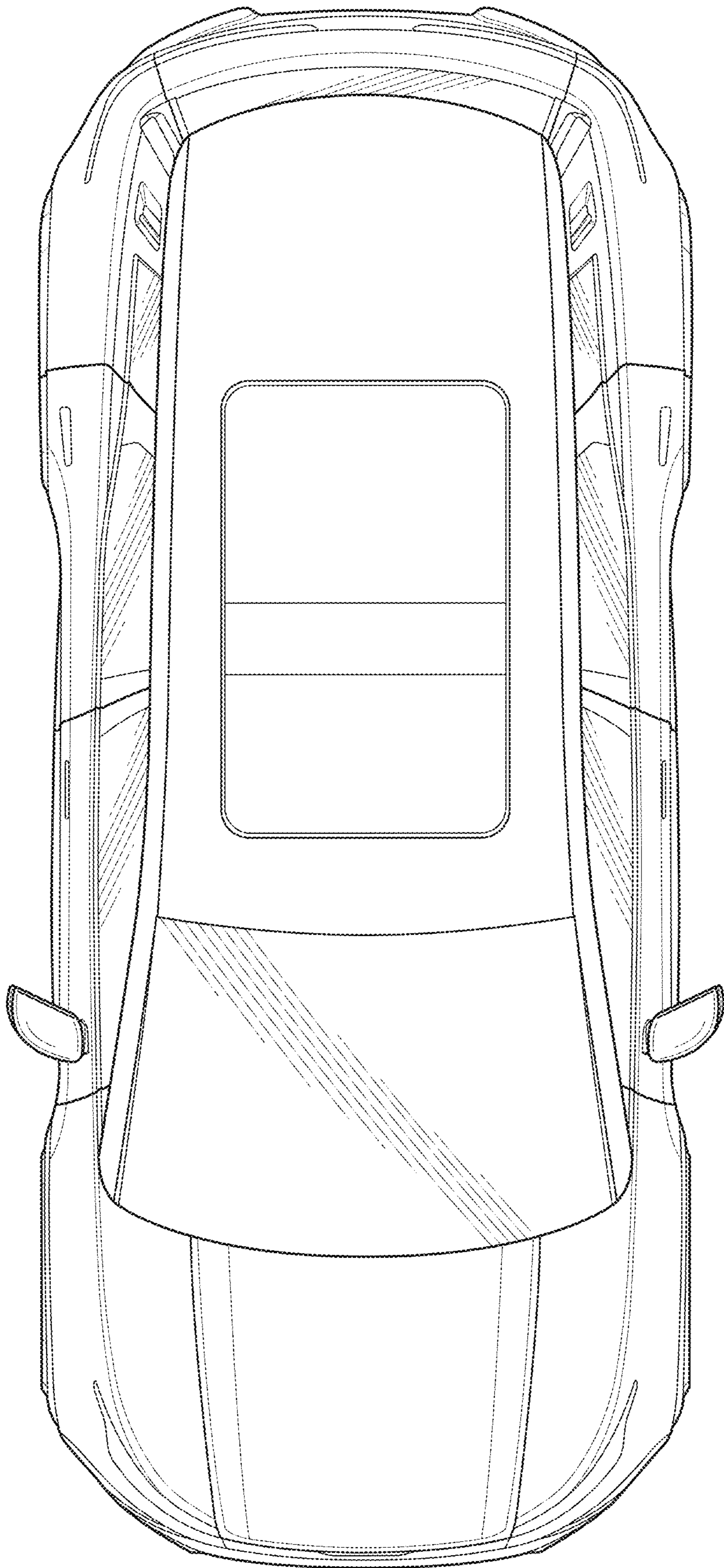


FIG. 6

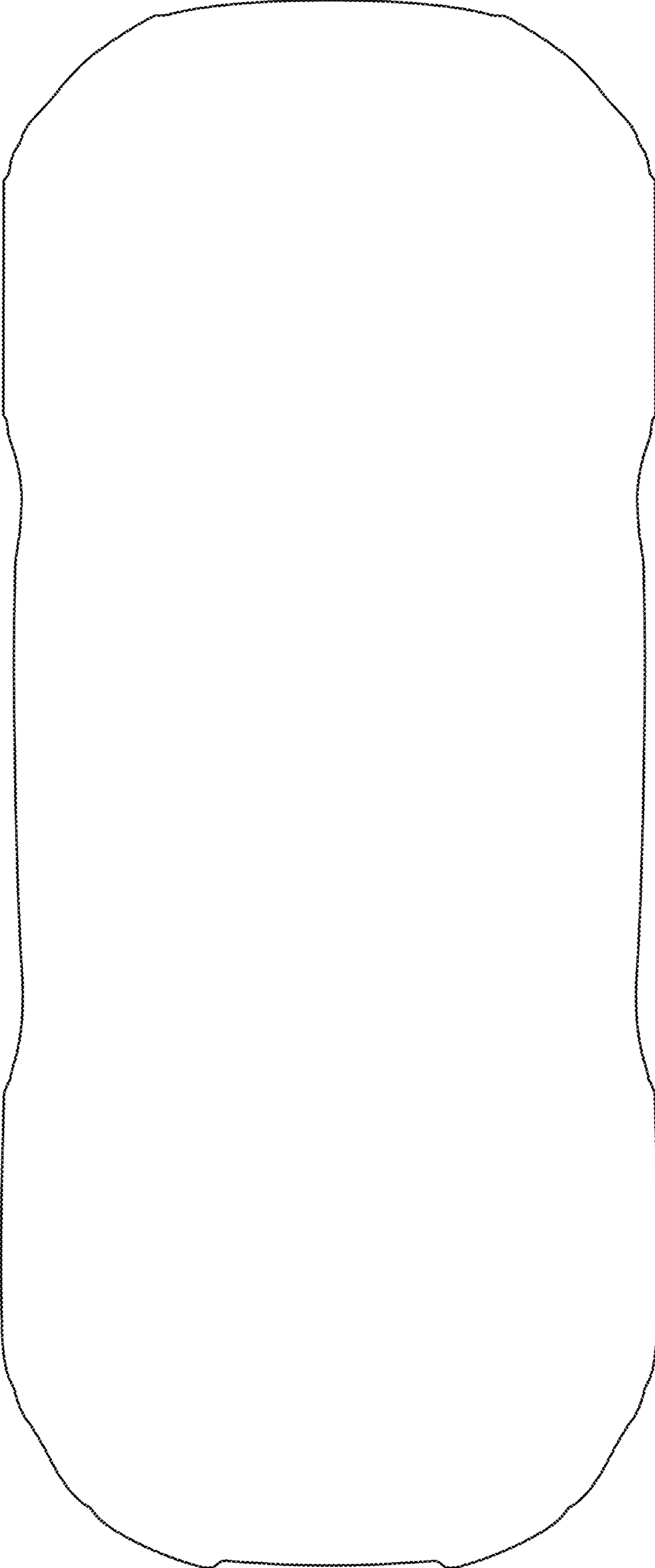


FIG. 7