



US00D944118S

(12) **United States Design Patent** (10) **Patent No.:** **US D944,118 S**  
**Lin** (45) **Date of Patent:** **\*\* Feb. 22, 2022**

(54) **DRONE AIRCRAFT**

(71) Applicant: **SHENZHEN JIANDANZHIIJIE TECHNOLOGY CO., LTD.,**  
Guangdong (CN)

(72) Inventor: **Qi Lin,** Guangdong (CN)

(73) Assignee: **Shenzhen Jiandanzhijie Technology Co., Ltd.,** Shenzhen (CN)

(\*\*) Term: **15 Years**

(21) Appl. No.: **29/777,090**

(22) Filed: **Apr. 2, 2021**

(51) **LOC (13) Cl.** ..... **12-07**

(52) **U.S. Cl.**  
USPC ..... **D12/16.1**

(58) **Field of Classification Search**  
USPC ..... D12/1, 2, 3, 4, 16.1, 174, 319–345;  
D21/301, 436, 438, 441–455  
CPC ... B64C 39/00; B64C 39/024; B64C 2201/00;  
B64C 2201/021; B64C 2201/024; B64C  
2201/042; B64C 2201/086; B64C  
2201/088; B64C 2201/102; B64C  
2201/104; B64C 2201/108; B64C  
2201/12; B64C 2201/123; B64C  
2201/127; B64C 2201/141; B64C  
2201/146; B64C 29/00; B64C 29/0025;  
B64C 29/0033; B64C 29/02; B64C 27/08;  
B64C 3/10; B64C 2203/00  
See application file for complete search history.

(56) **References Cited**

**U.S. PATENT DOCUMENTS**

D800,016 S \* 10/2017 Huang ..... D12/16.1  
D813,724 S \* 3/2018 Hu ..... D12/16.1  
D843,267 S \* 3/2019 Gao ..... D12/16.1  
D852,673 S 7/2019 Chen et al.  
D853,279 S 7/2019 Gan  
D854,448 S \* 7/2019 Chen ..... D12/16.1

D861,573 S \* 10/2019 He ..... D12/328  
D866,396 S \* 11/2019 Chen ..... D12/16.1  
D869,375 S \* 12/2019 Kim ..... D12/328  
D882,460 S \* 4/2020 Chen ..... D12/16.1  
D884,554 S \* 5/2020 Chen ..... D12/16.1  
D908,588 S 1/2021 Zhao et al.  
D918,087 S \* 5/2021 He ..... D12/16.1

(Continued)

**OTHER PUBLICATIONS**

Simrex X500, Published Dec. 5, 2021 [online], [retrieved on Dec. 28, 2021]. Retrieved from the Internet: <https://www.youtube.com/watch?v=Ih4QjX5gllY> (Year: 2021).\*

*Primary Examiner* — Cary M Robinson

*Assistant Examiner* — Adam C Mager

(74) *Attorney, Agent, or Firm* — Wayne IP LLC

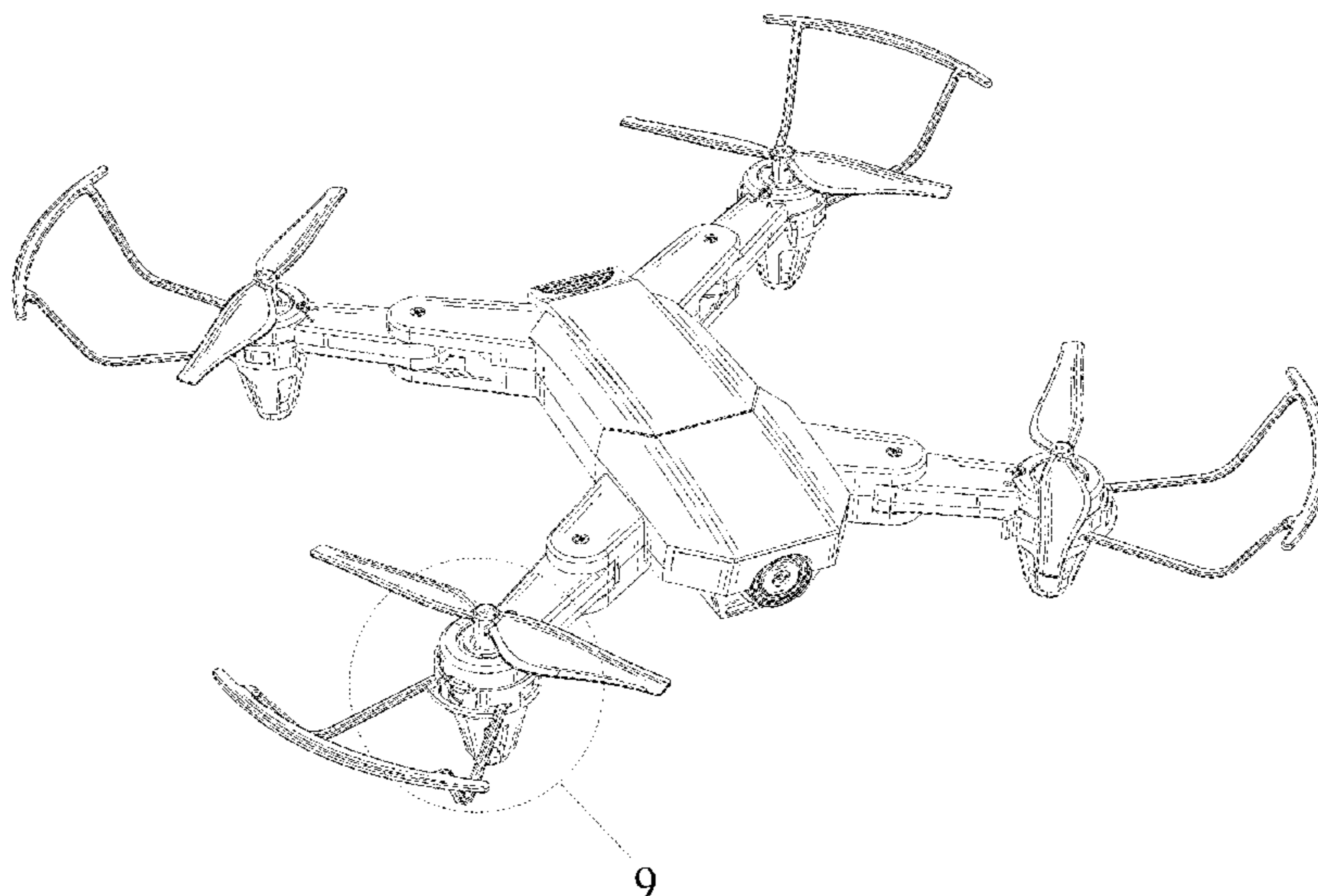
(57) **CLAIM**

The ornamental design for a drone aircraft, as shown and described.

**DESCRIPTION**

FIG. 1 is a perspective view of a drone aircraft showing our new design;  
FIG. 2 is another perspective view thereof;  
FIG. 3 is a front view thereof;  
FIG. 4 is a back view thereof;  
FIG. 5 is a left view thereof;  
FIG. 6 is a right view thereof;  
FIG. 7 is a top view thereof;  
FIG. 8 is a bottom view thereof;  
FIG. 9 is a partially enlarged view of FIG. 1;  
FIG. 10 is a partially enlarged view of FIG. 2;  
FIG. 11 is a partially enlarged view of FIG. 3;  
FIG. 12 is a partially enlarged view of FIG. 7; and,  
FIG. 13 is another partially enlarged view of FIG. 7.  
The broken lines shown on the drawings depict portions of the drone aircraft that form no part of the claimed design.

**1 Claim, 13 Drawing Sheets**



(56)

**References Cited**

U.S. PATENT DOCUMENTS

D918,308	S	*	5/2021	Xu	.....	D21/441
2020/0023995	A1	*	1/2020	Song	.....	B64C 39/024
2020/0086982	A1	*	3/2020	Wang	.....	B64C 39/024
2020/0148350	A1	*	5/2020	Nong	.....	H01M 50/20
2020/0346745	A1	*	11/2020	Cai	.....	B64D 29/04
2021/0016883	A1	*	1/2021	Wang	.....	F21V 5/04
2021/0104805	A1	*	4/2021	Wu	.....	H01M 50/249
2021/0129979	A1	*	5/2021	Wang	.....	B64C 27/20

\* cited by examiner

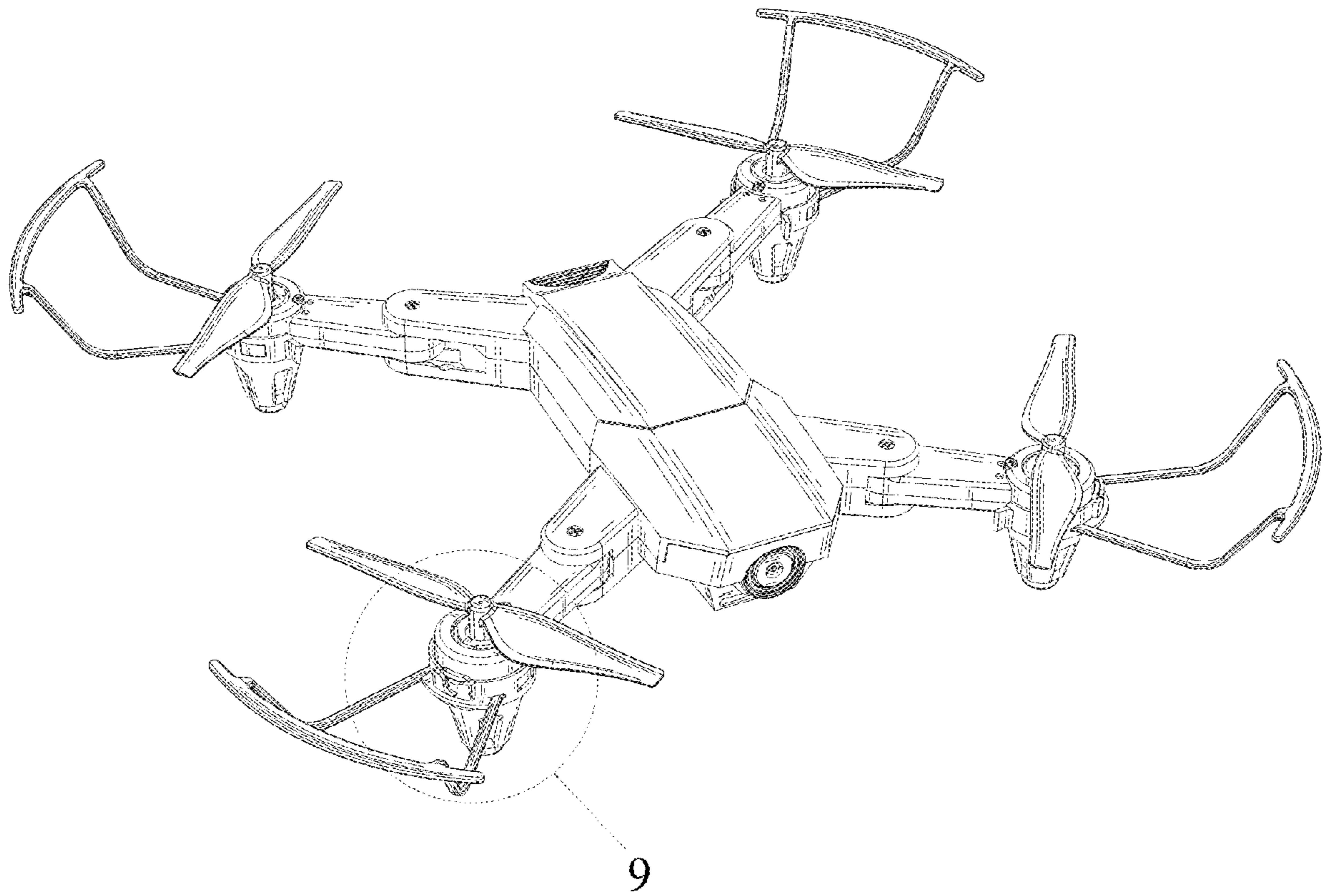


FIG. 1

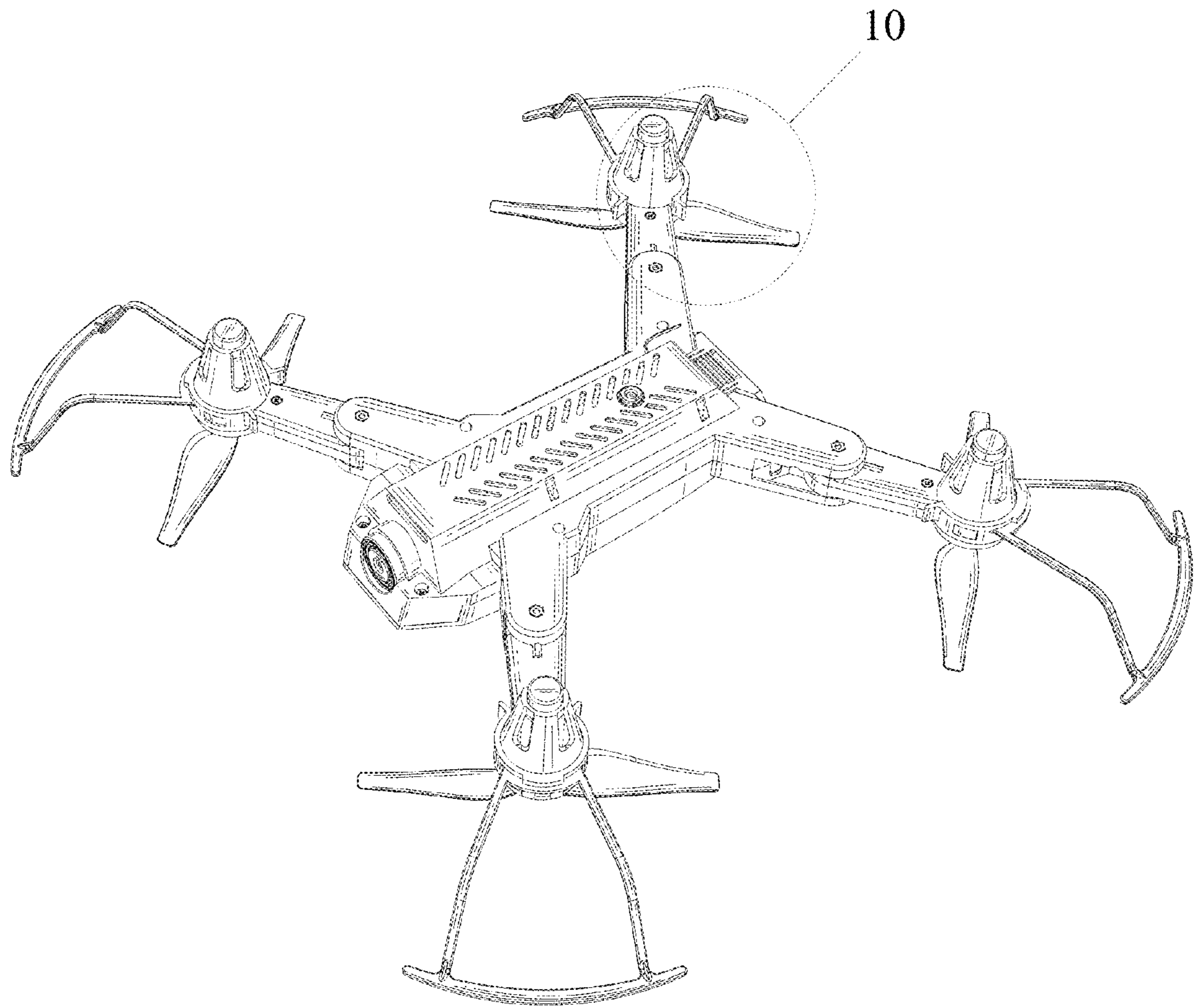


FIG. 2

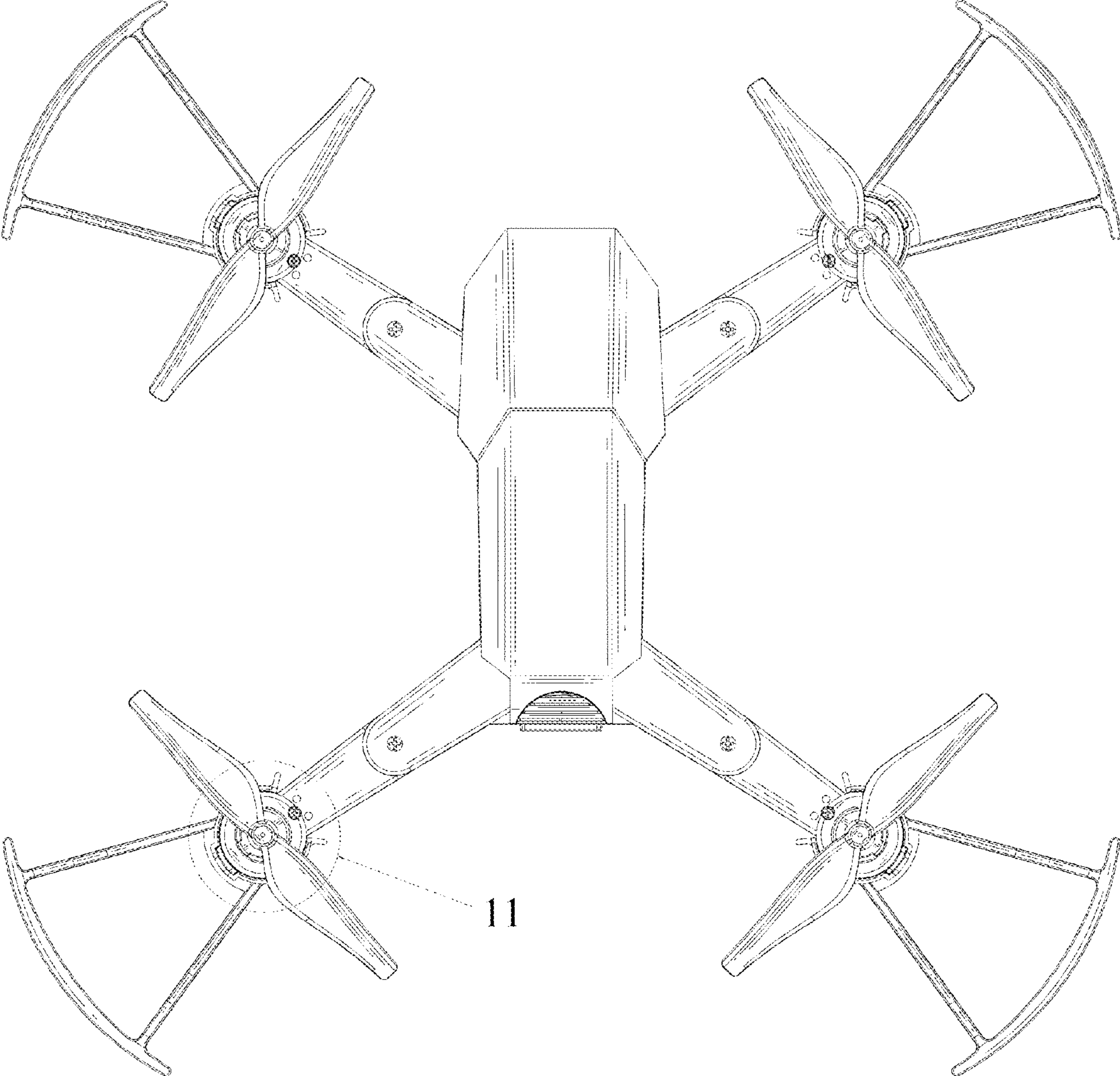


FIG. 3

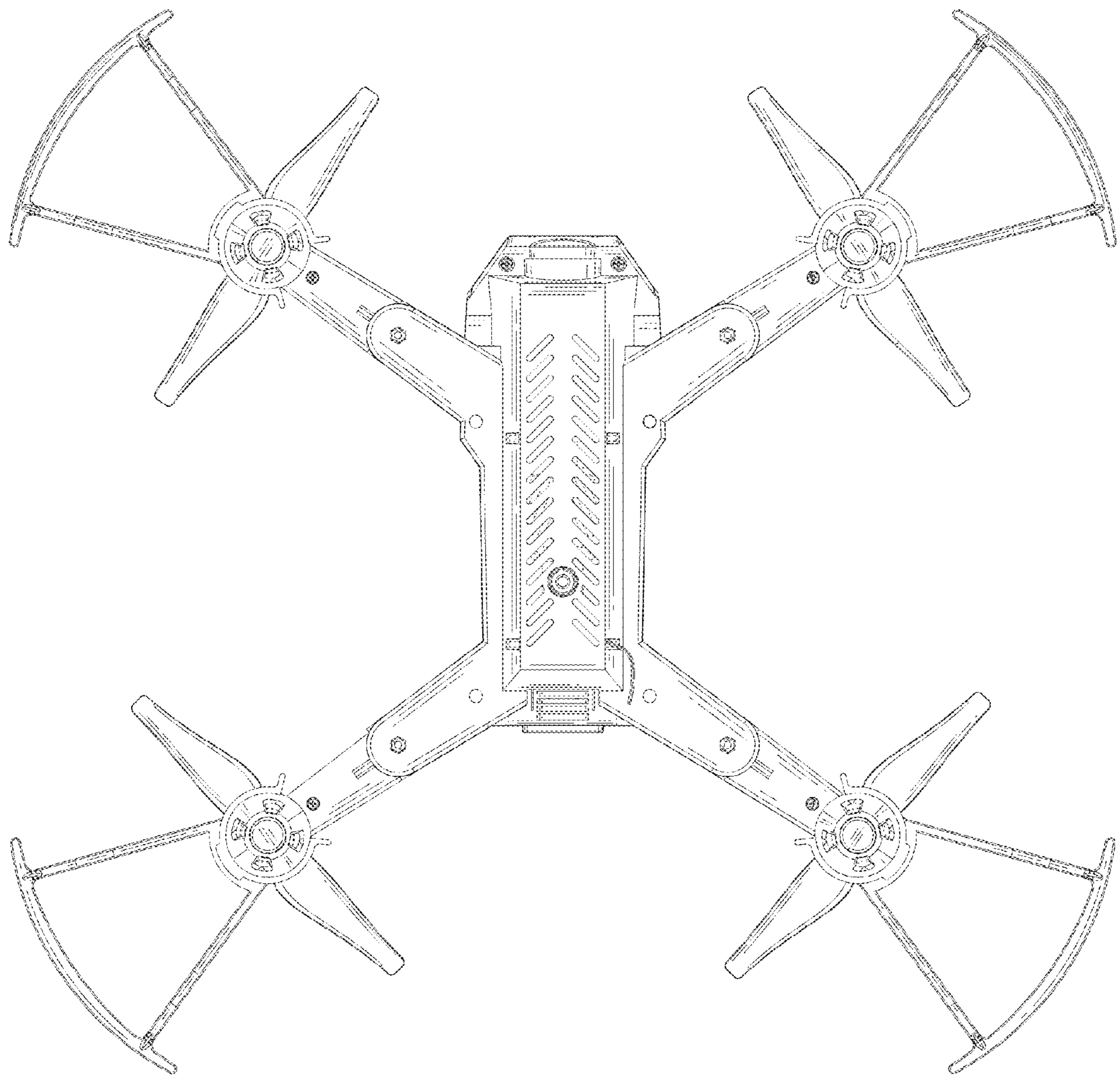


FIG. 4

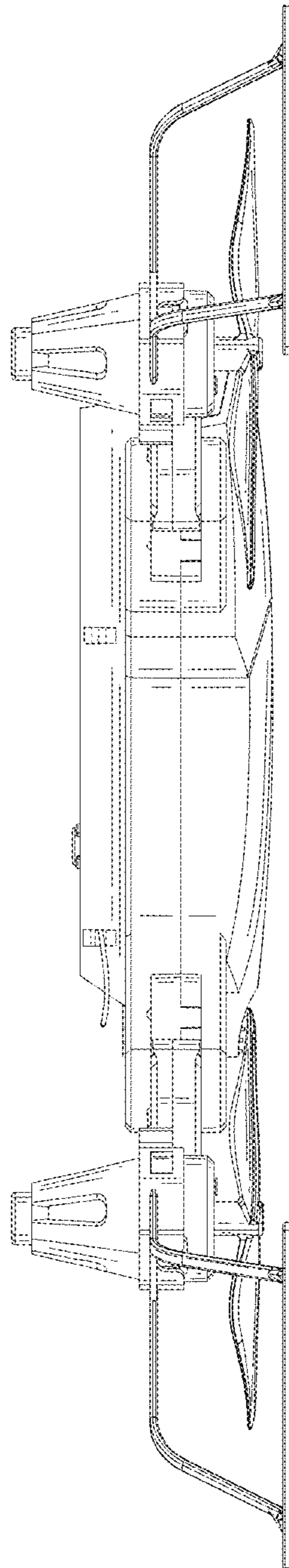


FIG. 5

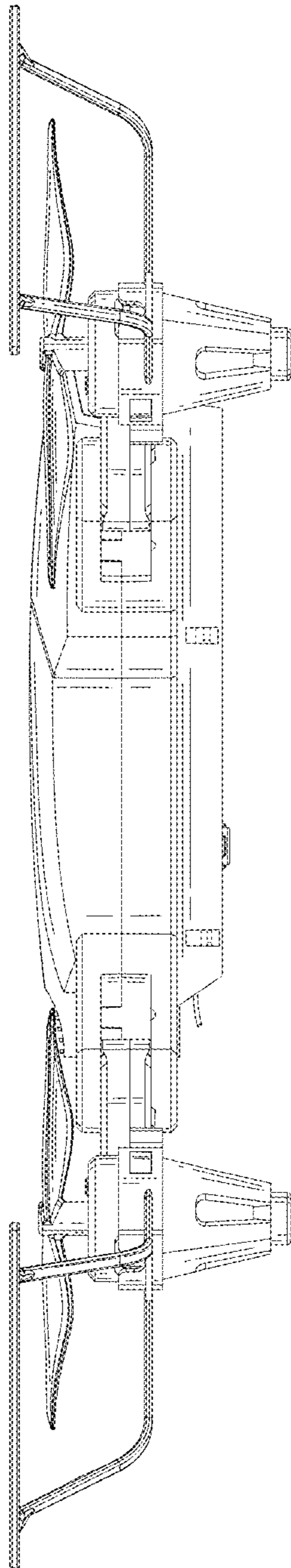


FIG. 6



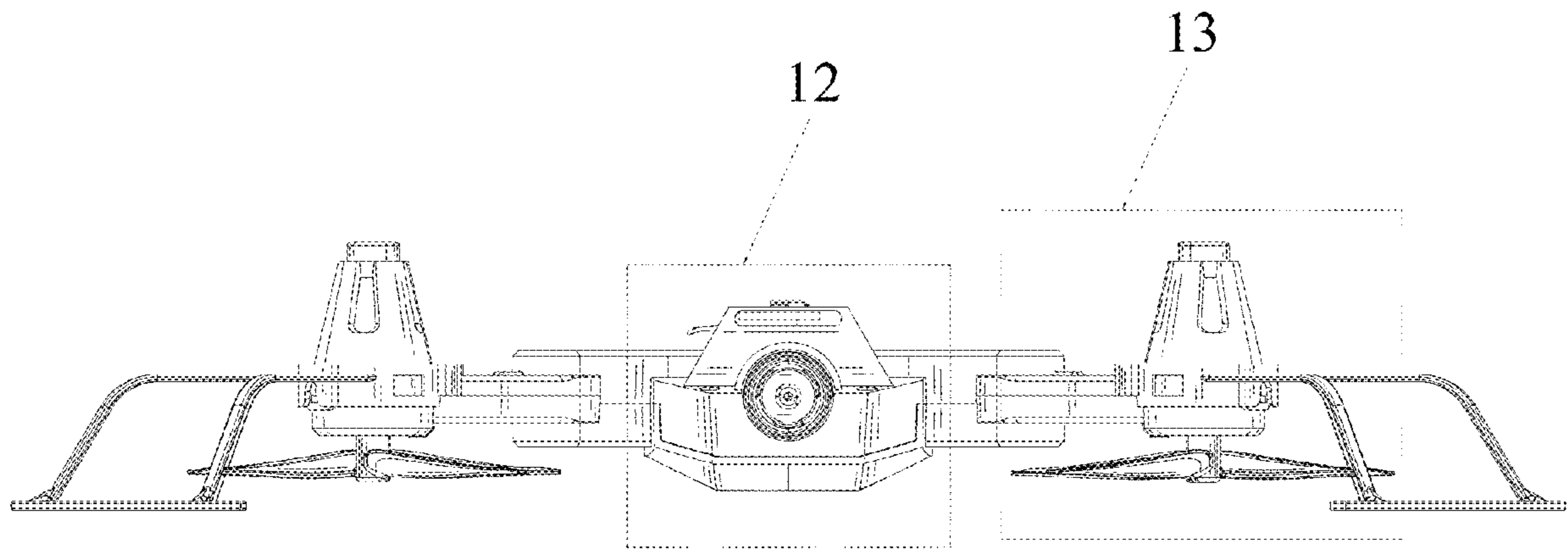


FIG. 7

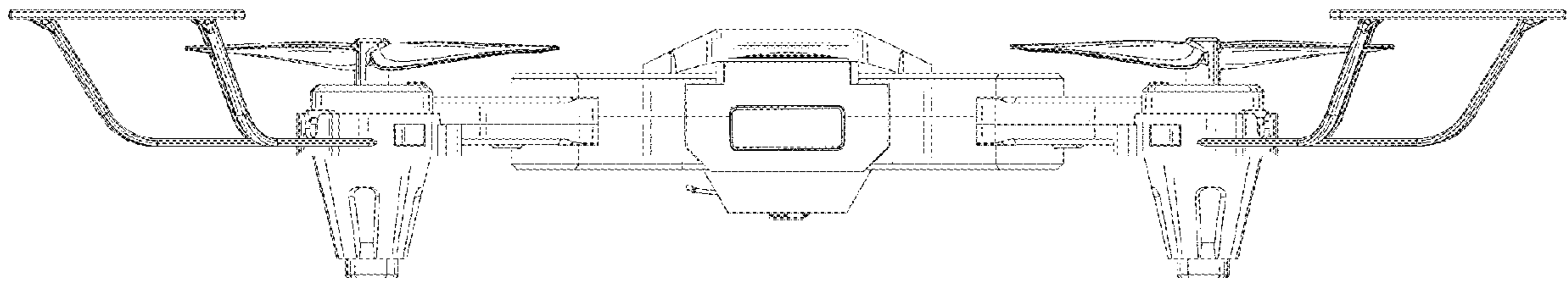


FIG. 8

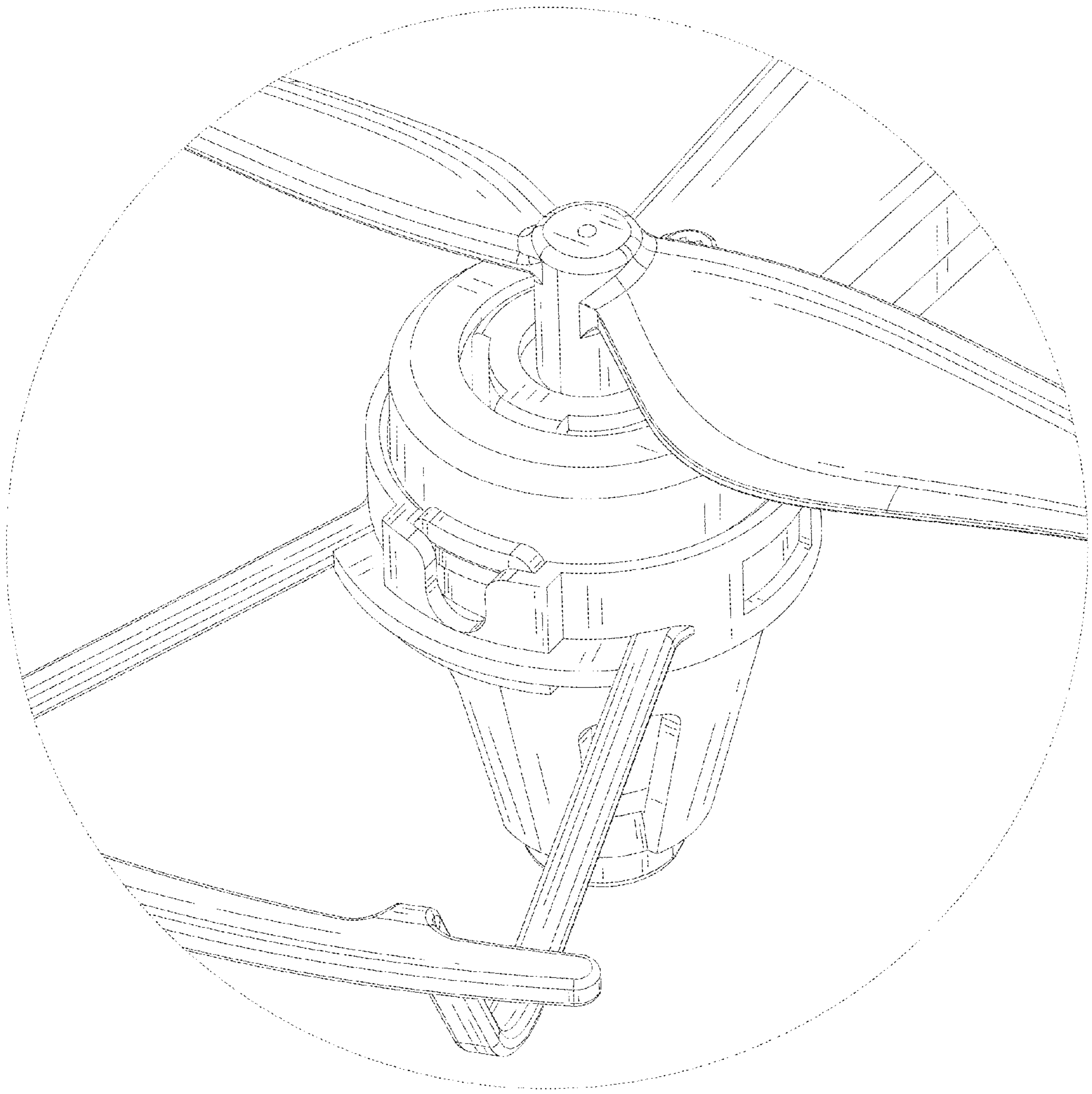


FIG. 9

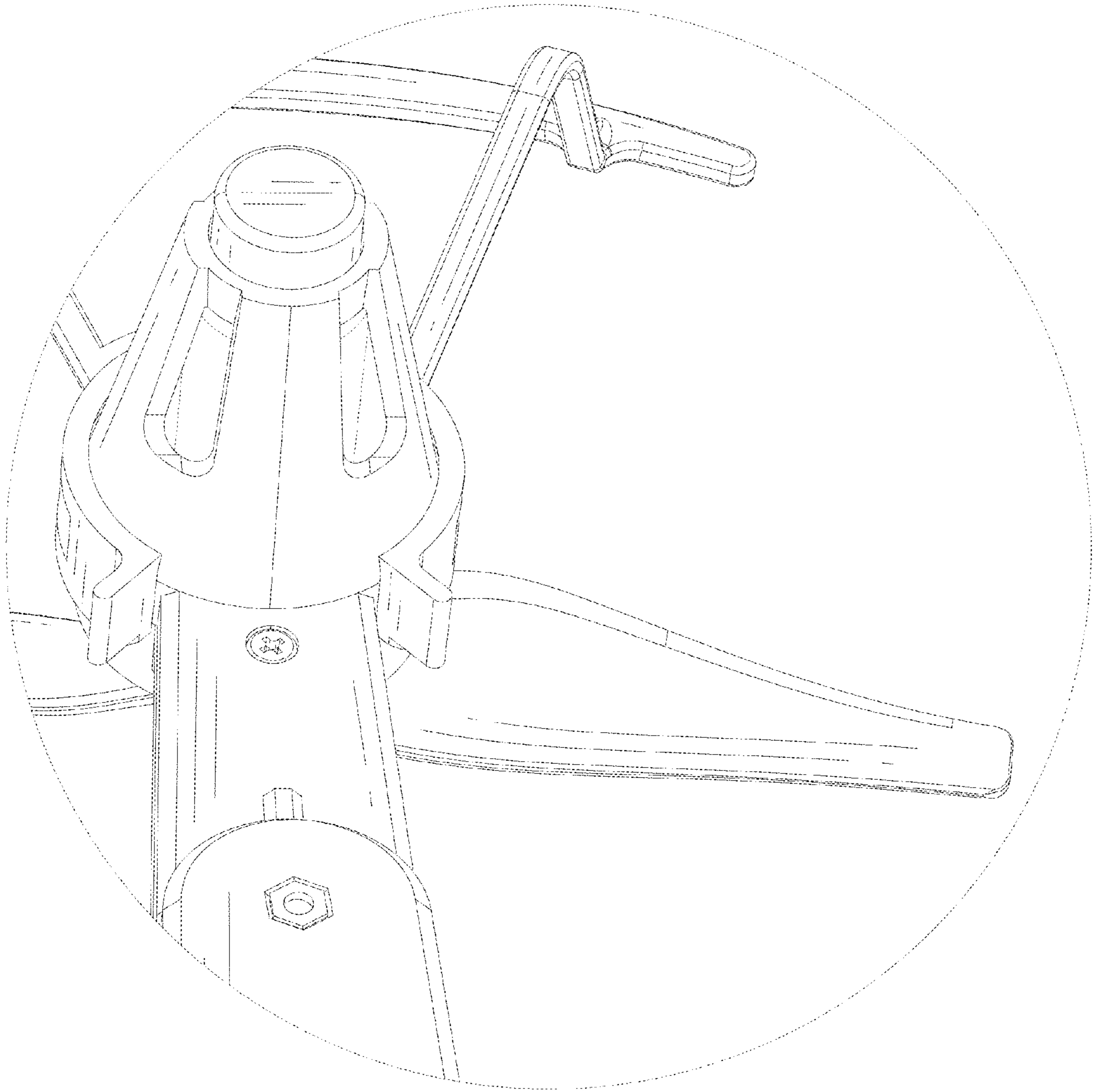


FIG. 10

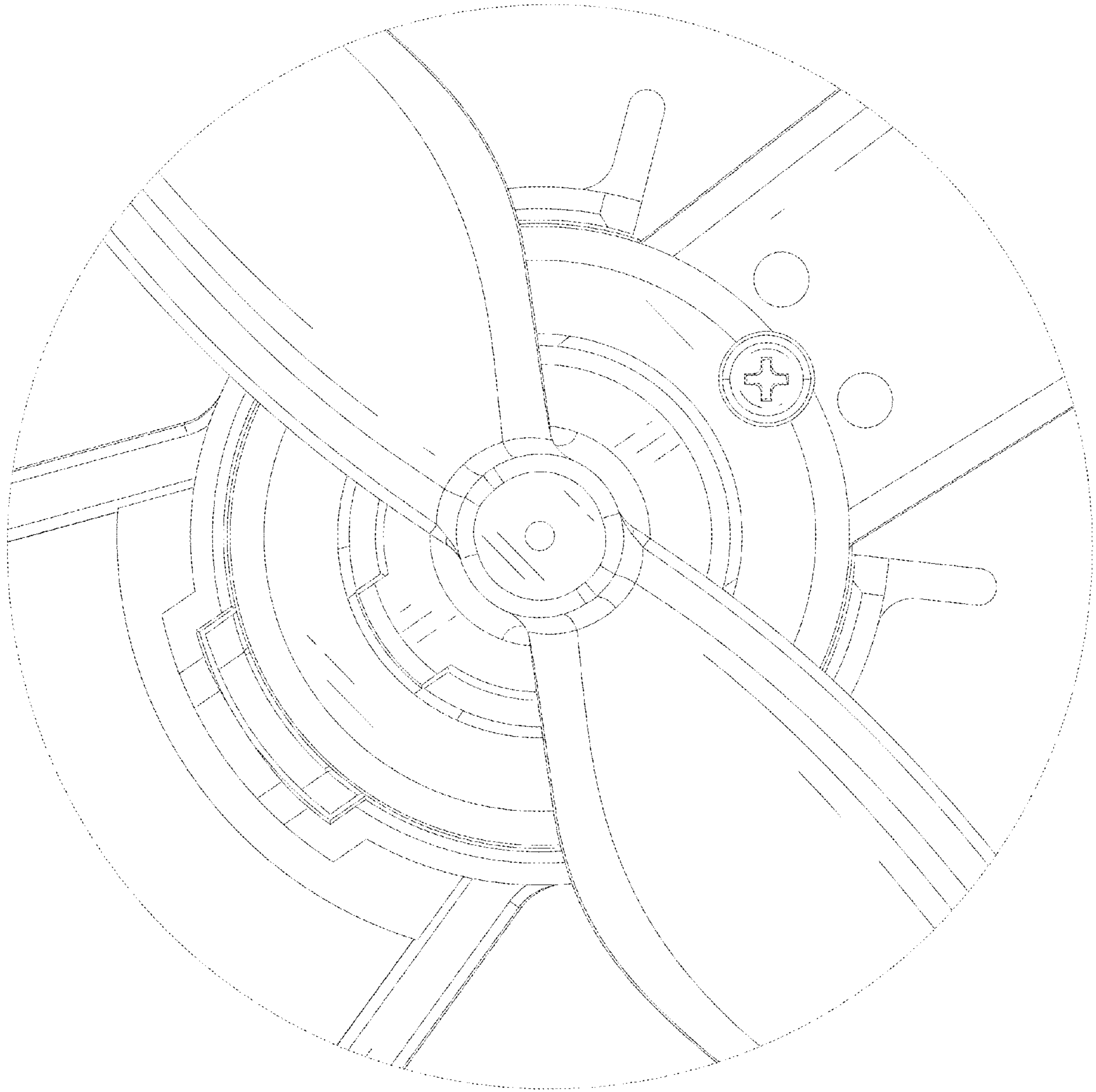


FIG. 11

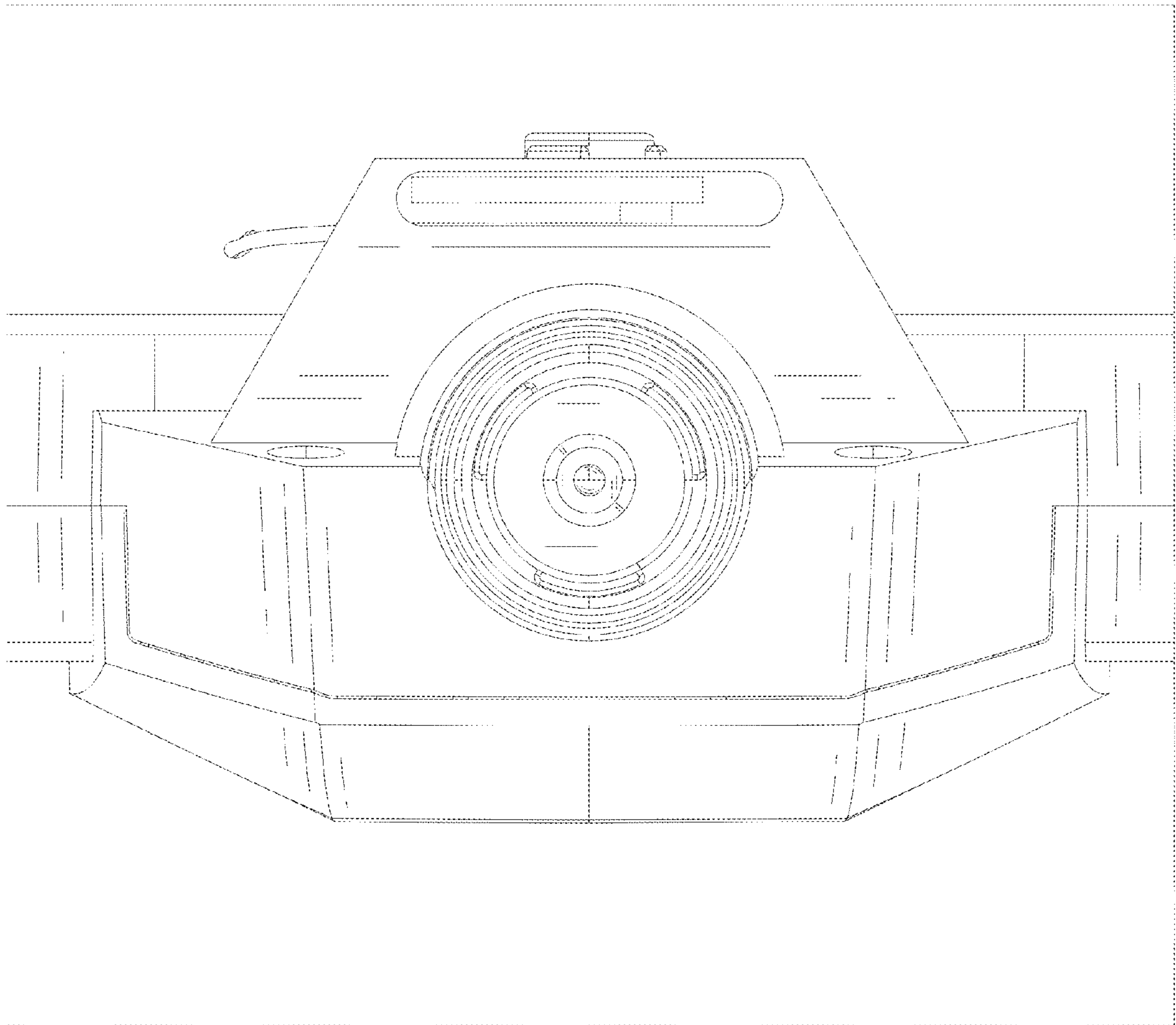


FIG. 12

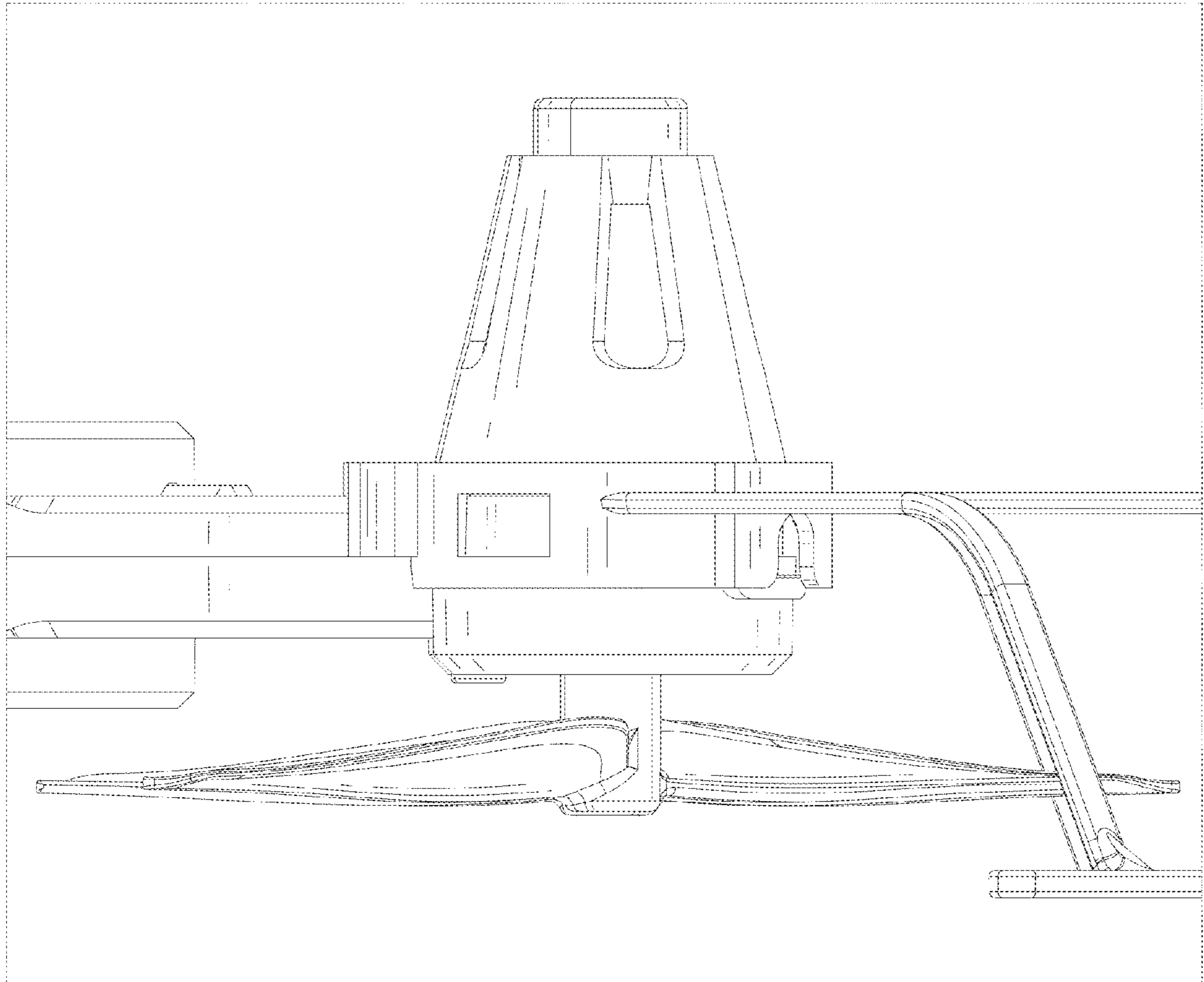


FIG. 13