

US00D944116S

(12) **United States Design Patent**
Zamorano Jones et al.

(10) **Patent No.:** **US D944,116 S**
(45) **Date of Patent:** **** Feb. 22, 2022**

- (54) **VEHICLE DUMP**
- (71) Applicant: **Minetec S.A.**, Santiago (CL)
- (72) Inventors: **Claudio Devon Zamorano Jones**,
Santiago (CL); **Bernardo Luis Vera Torres**,
Santiago (CL); **Felipe Andrés Flores Carrasco**,
Santiago (CL); **Fernando Esteban De La Fuente López**,
Santiago (CL)
- (73) Assignee: **MINETEC S.A.**, Santiago (CL)
- (**) Term: **15 Years**
- (21) Appl. No.: **29/718,561**
- (22) Filed: **Dec. 26, 2019**
- (51) **LOC (13) Cl.** **08-10**
- (52) **U.S. Cl.**
USPC **D12/15; D15/33**
- (58) **Field of Classification Search**
USPC D15/10, 25, 30, 33; D12/15, 93, 94, 1,
D12/5, 22, 98, 196, 14
CPC B60P 1/286; B60P 1/28; B60P 1/04; B60P
1/16; B60P 1/283; B60P 1/30; B62D
33/02; B62D 33/00; F16C 11/04; F16C
2326/01
See application file for complete search history.

(56) **References Cited**
U.S. PATENT DOCUMENTS

- D386,128 S * 11/1997 Gerding D12/15
- 6,637,808 B1 * 10/2003 Ling B60P 1/26
296/183.2
- D560,553 S * 1/2008 Vance D12/15

- D596,076 S * 7/2009 Kelley D12/15
- D596,077 S * 7/2009 Bryant D12/15
- D678,123 S * 3/2013 Werner D12/15
- D689,909 S * 9/2013 Suzuki D15/10
- D721,988 S * 2/2015 Graber D12/15
- D777,602 S * 1/2017 Ootsuka D12/15
- D805,430 S * 12/2017 Strong D12/15
- D821,262 S * 6/2018 Strong D12/15
- D832,139 S * 10/2018 Rike D12/15
- D885,975 S * 6/2020 Hettinger D12/15
- D886,673 S * 6/2020 Hettinger D12/15
- D898,777 S * 10/2020 Lorenz D15/10
- 2006/0202509 A1 * 9/2006 Westner B60P 1/286
296/183.2
- 2017/0066359 A1 * 3/2017 Rissman F16C 11/045
- 2017/0305322 A1 * 10/2017 Hofer B60P 1/286
- 2018/0312097 A1 * 11/2018 Petrie B60P 1/283
- 2019/0263311 A1 * 8/2019 Robbs B60P 1/286
- 2019/0389272 A1 * 12/2019 Kesani B60P 1/28

* cited by examiner

Primary Examiner — Mark A Goodwin

(74) *Attorney, Agent, or Firm* — Hoffman Warnick LLC

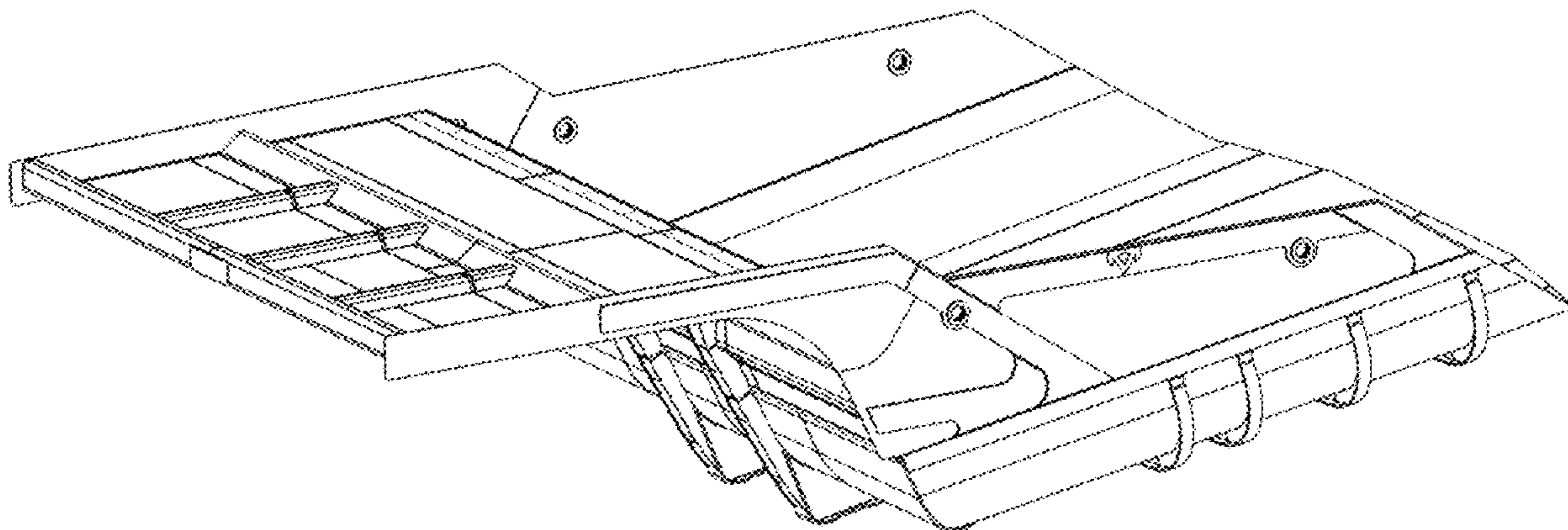
(57) **CLAIM**

The ornamental design for a vehicle dump, as shown and described.

DESCRIPTION

FIG. 1 is a perspective view of a vehicle dump, according to our new design;
FIG. 2 is a front view thereof;
FIG. 3 is a left side view thereof;
FIG. 4 is a right side view thereof;
FIG. 5 is a top plan view thereof;
FIG. 6 is a bottom plan view thereof; and,
FIG. 7 is a rear view thereof.

1 Claim, 7 Drawing Sheets



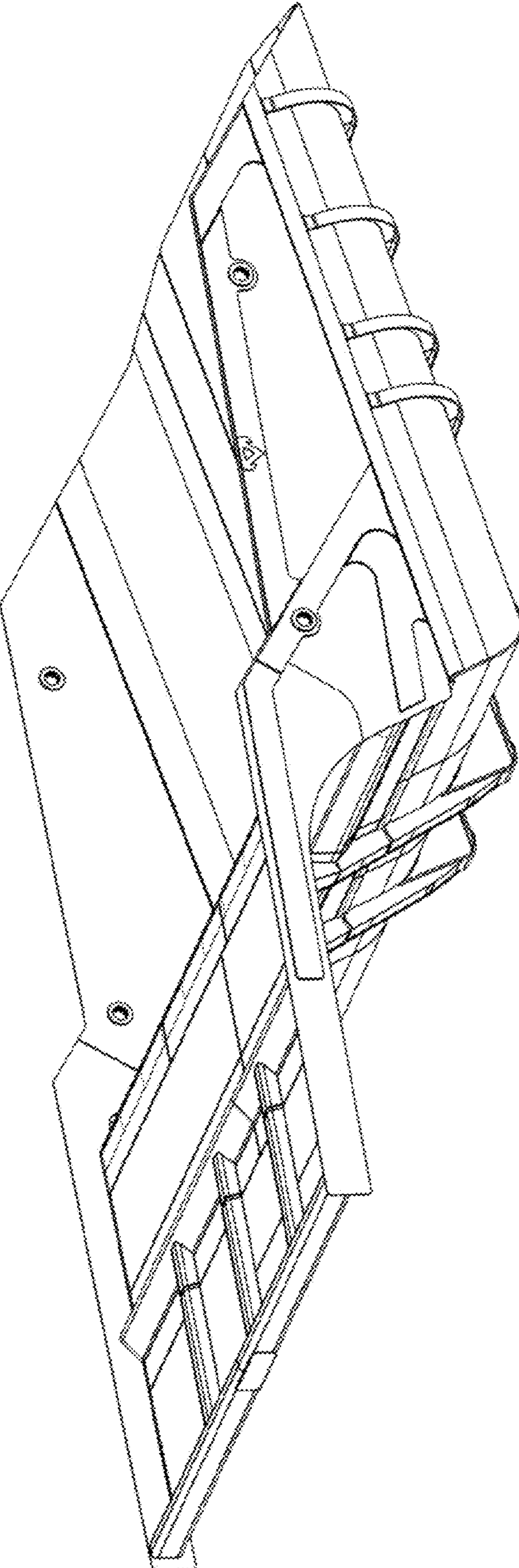


FIGURE 1

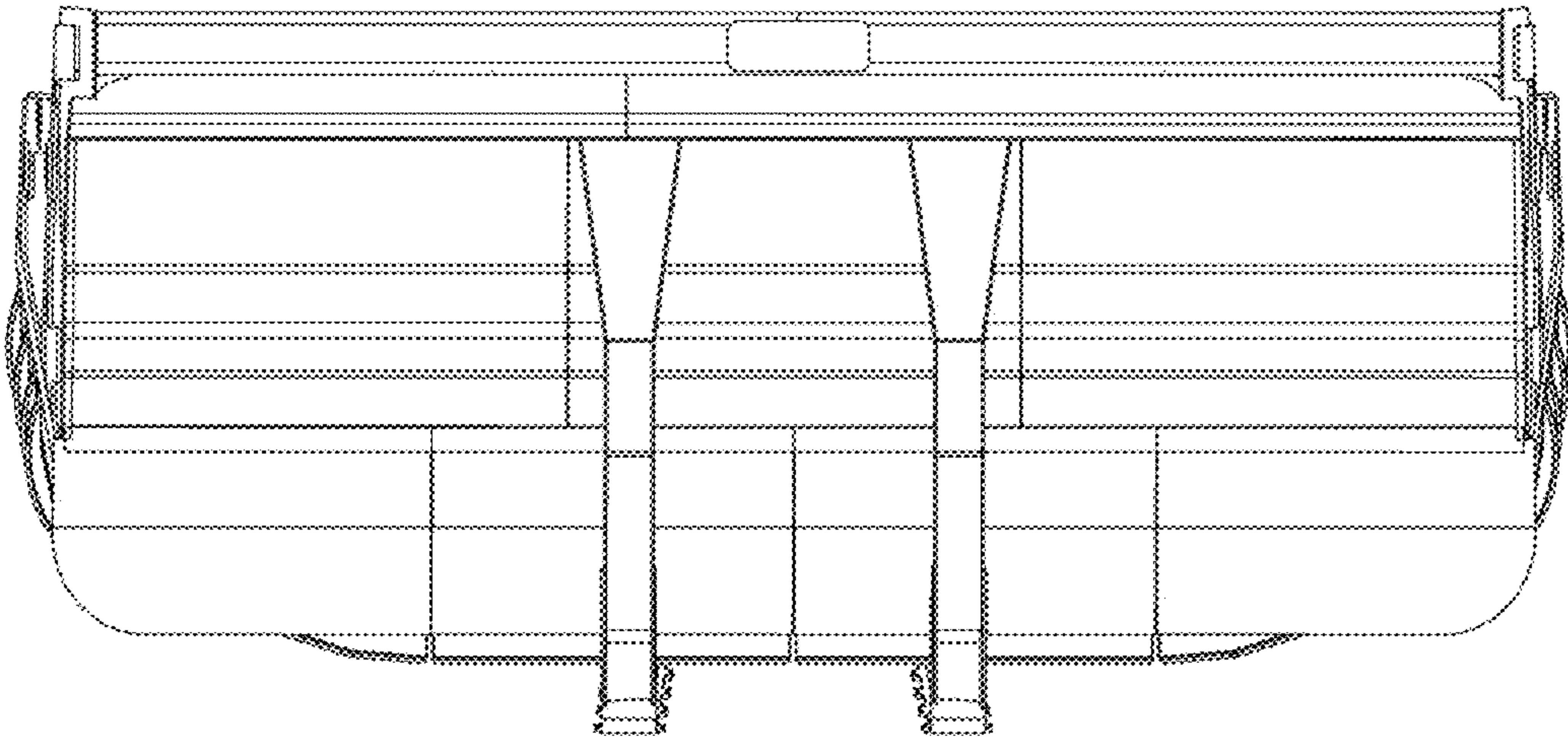


FIGURE 2

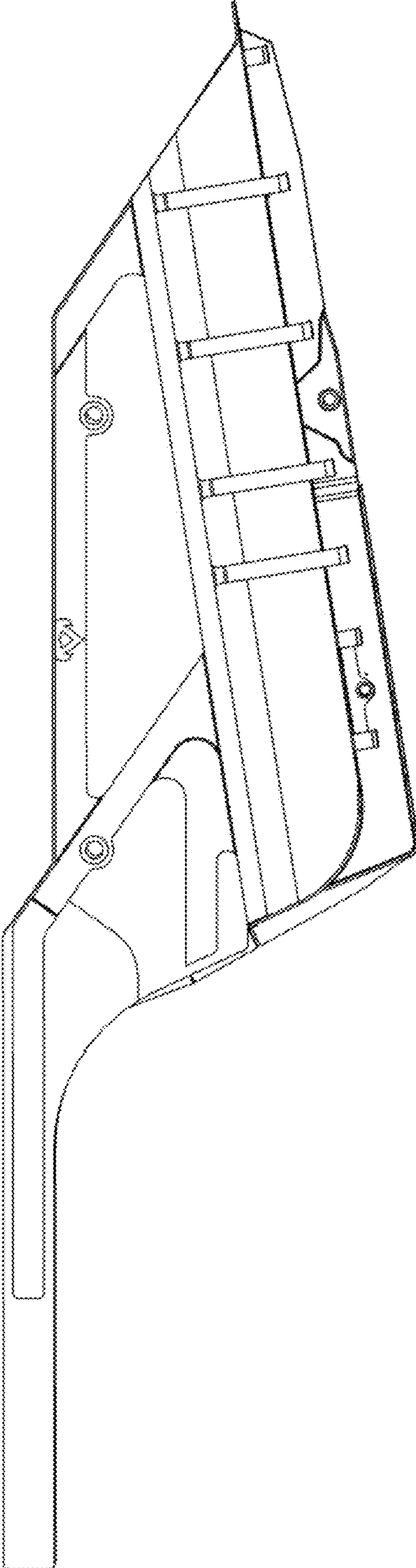


FIGURE 3

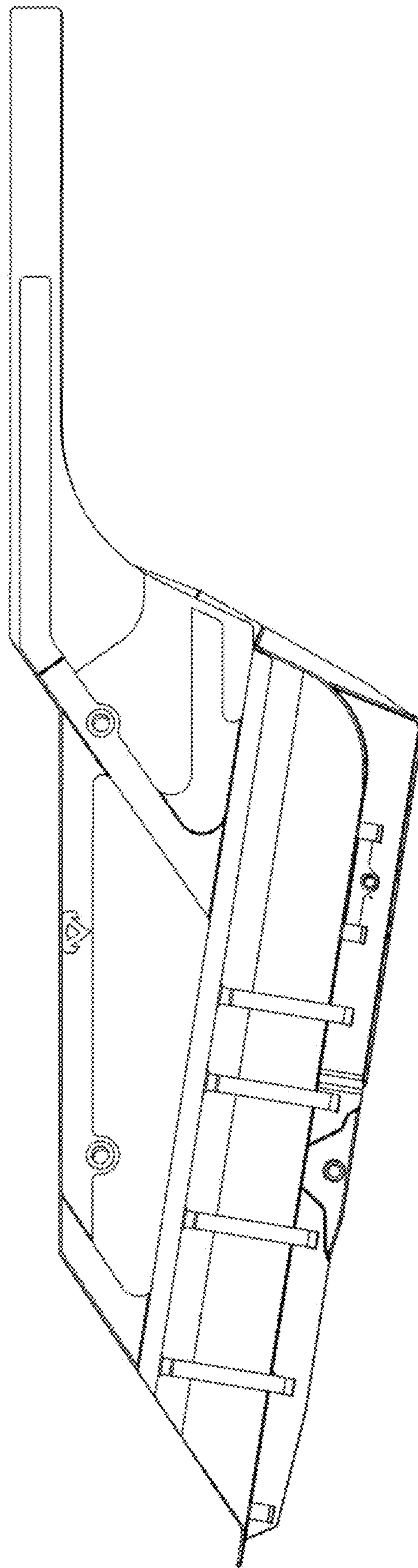


FIGURE 4

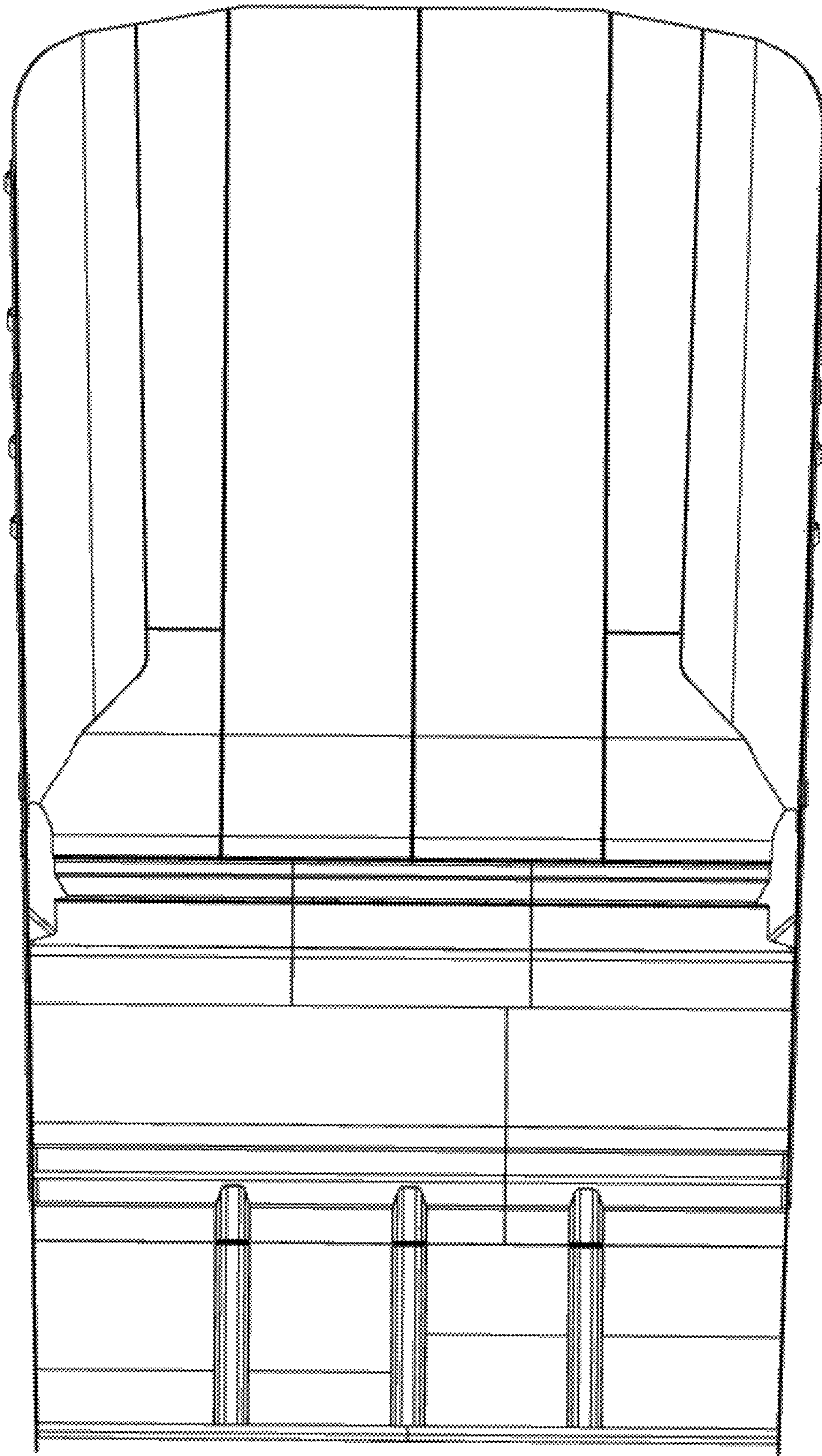


FIGURE 5

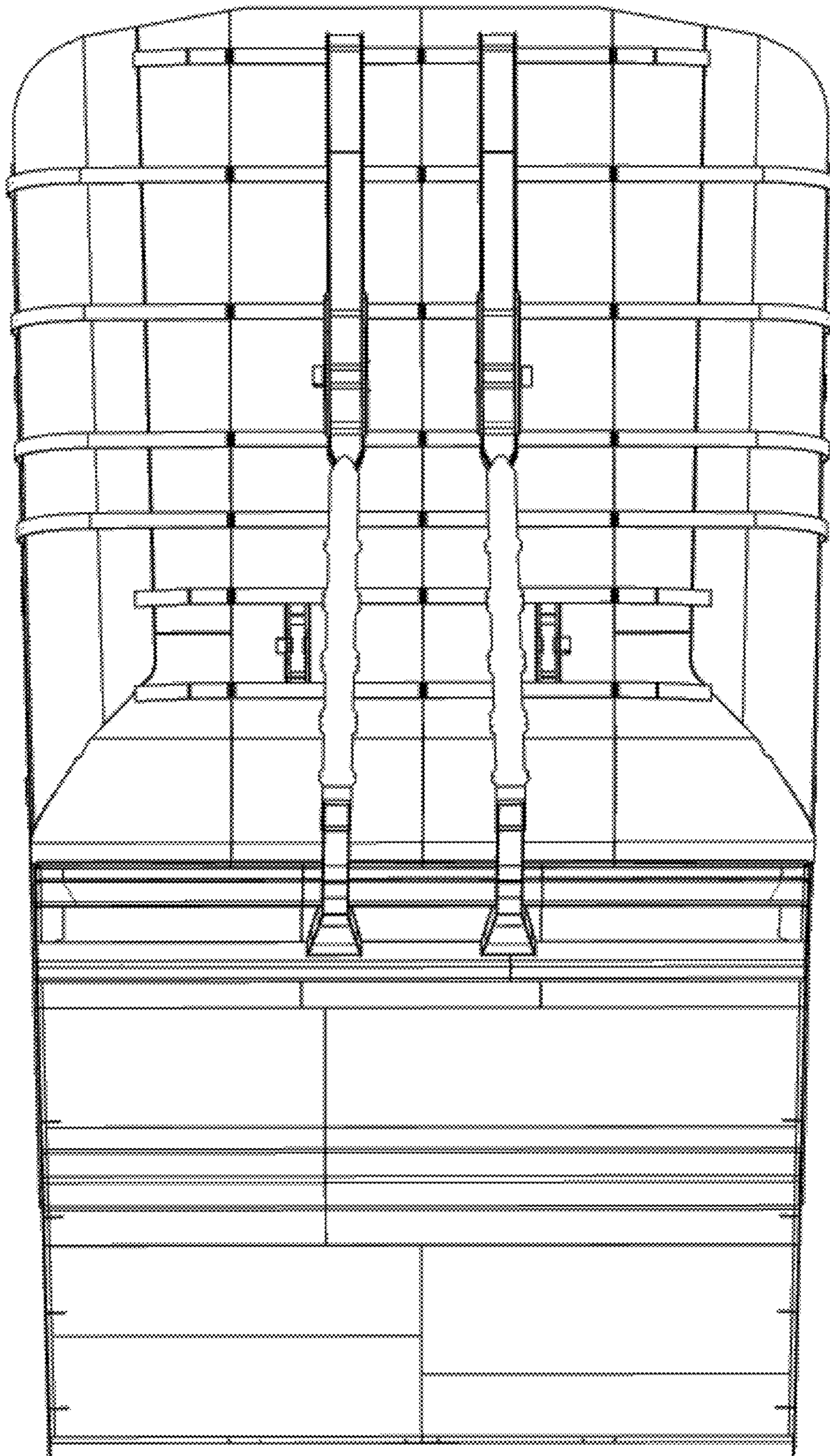


FIGURE 6

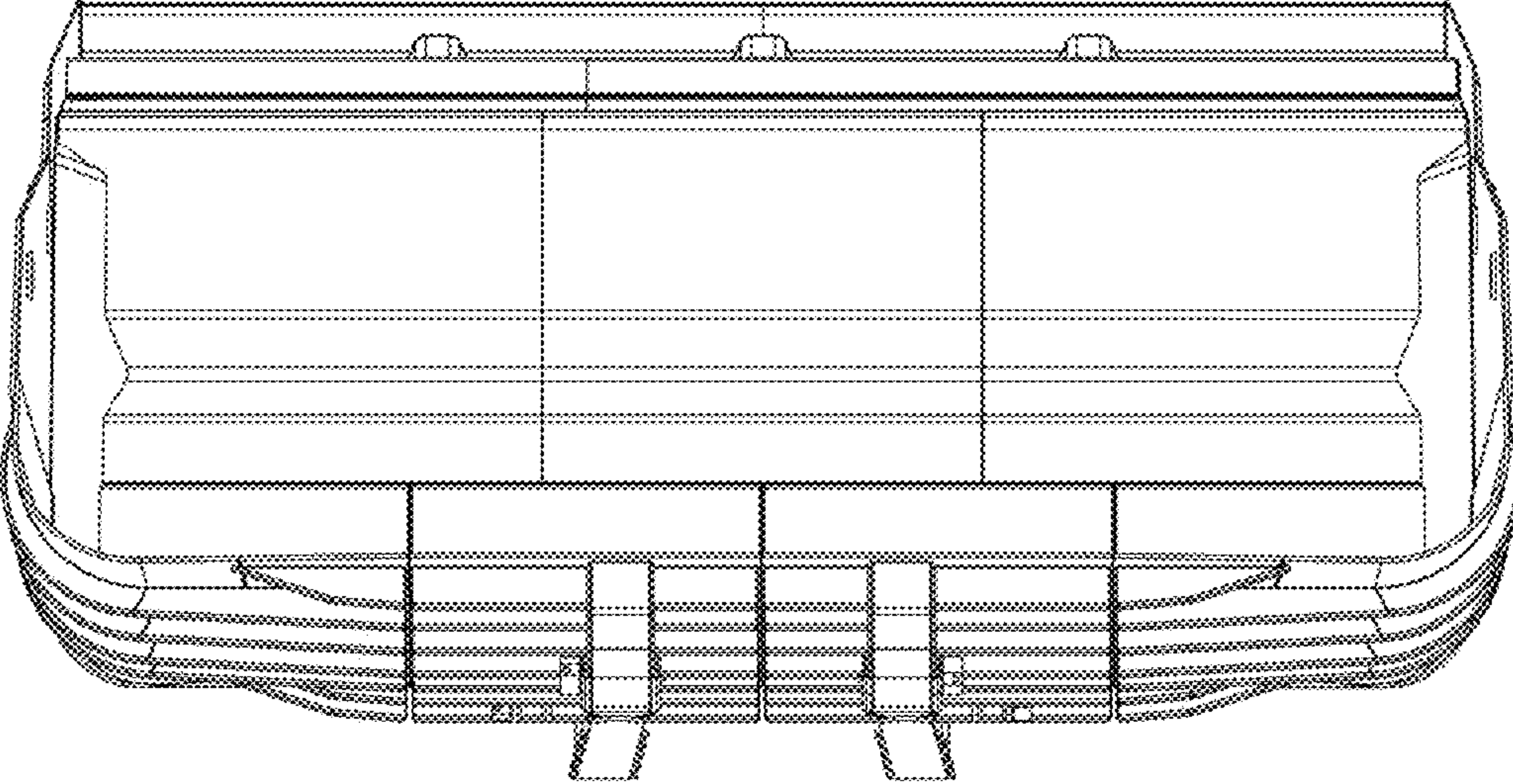


FIGURE 7