

US00D944109S

(12) **United States Design Patent** (10) **Patent No.:** **US D944,109 S**  
**Li** (45) **Date of Patent:** **\*\* Feb. 22, 2022**

(54) **WATCH BAND**

(71) Applicant: **Fenfen Li**, Ji'an (CN)

(72) Inventor: **Fenfen Li**, Ji'an (CN)

(\*\*) Term: **15 Years**

(21) Appl. No.: **29/767,401**

(22) Filed: **Jan. 22, 2021**

(51) **LOC (13) Cl.** ..... **11-01**

(52) **U.S. Cl.**  
USPC ..... **D11/3**

(58) **Field of Classification Search**  
USPC ..... D11/1-6; D14/344; D2/626, 627, 635,  
D2/638; D30/152  
CPC ... A44C 5/0007; A44C 5/0015; A44C 5/0023;  
A44C 5/0053; A44C 5/16; A44C 5/246;  
A44C 15/0015; A44C 15/002; G09F  
3/005

See application file for complete search history.

(56) **References Cited**

**U.S. PATENT DOCUMENTS**

D333,626	S	*	3/1993	Chang	.....	D10/32
D335,263	S	*	5/1993	Willis	.....	D11/3
D346,482	S	*	5/1994	Merrill	.....	D2/627
D775,535	S		1/2017	Handa		
D806,580	S		1/2018	Harada		
D837,082	S	*	1/2019	Akana	.....	D11/3
D857,543	S	*	8/2019	Sirichai	.....	D11/3
D882,445	S	*	4/2020	Liao	.....	D11/3
D883,837	S	*	5/2020	Akana	.....	D11/3
D883,838	S	*	5/2020	Deng	.....	D11/3
D883,839	S	*	5/2020	Deng	.....	D11/3
D896,677	S	*	9/2020	Wang	.....	D11/3
D904,918	S	*	12/2020	Du	.....	D11/3
D918,759	S	*	5/2021	Liu	.....	D11/3
2019/0128374	A1	*	5/2019	Cruise	.....	A44C 5/0053

**OTHER PUBLICATIONS**

JIELIELE Solo Loop Strap, for sale on Amazon.com since at least Oct. 27, 2020, online. Site visited on Jun. 15, 2021. URL:<"https://www.amazon.com/JIELIELE-Compatible-Elastics-Replacement-Wristband/dp/B08LZ67VST/"> (Year: 2020).\*

ENJINER Stretchy Nylon Solo Loop Bands, for sale on Amazon.com since at least Oct. 27, 2020, online. Site visited on Jun. 15, 2021. URL:<"https://www.amazon.com/ENJINER-Stretchy-Compatible-Elastic-Turquoise/dp/B08VRPBJMN/"> (Year: 2020).\*

Review: Braxley Bands Are Comfortable and Easy-to-Wear Elastic Apple Watch Accessories, published on Dec. 17, 2018, online. Site visited on Jun. 15, 2021. URL:<"https://www.amazon.com/ENJINER-Stretchy-Compatible-Elastic-Turquoise/dp/B08VRPBJMN/"> (Year: 2018).\*

\* cited by examiner

*Primary Examiner* — Llorellys Martinez

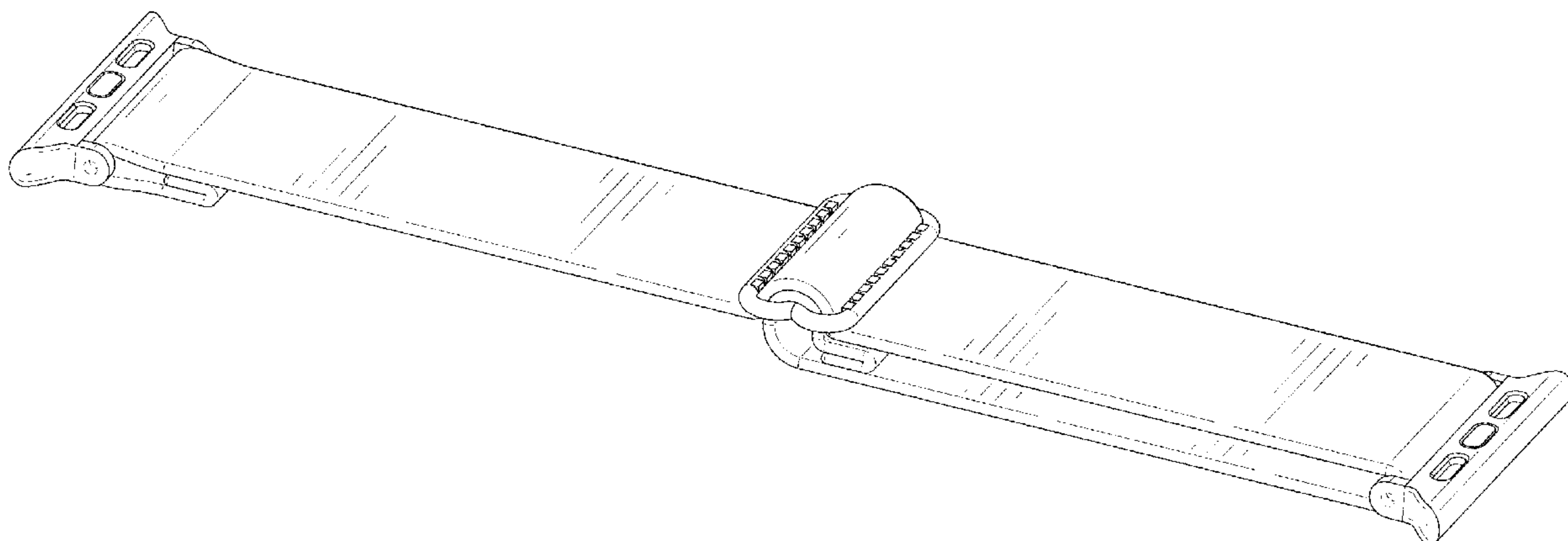
(57) **CLAIM**

The ornamental design for a watch band, as shown and described.

**DESCRIPTION**

FIG. 1 is a perspective view of a watch band showing my new design;  
FIG. 2 is another perspective view thereof;  
FIG. 3 is a front elevational view thereof;  
FIG. 4 is a rear elevational view thereof;  
FIG. 5 is a left side elevational view thereof;  
FIG. 6 is a right side elevational view thereof;  
FIG. 7 is a top plan view thereof;  
FIG. 8 is a bottom plan view thereof;  
FIG. 9 is another perspective view of the watch band, shown in a configuration of use; and,  
FIG. 10 is an enlarged view of portion 10 shown in FIG. 1. The broken lines in the drawings depict portions of the watch band that form no part of the claimed design.

**1 Claim, 10 Drawing Sheets**



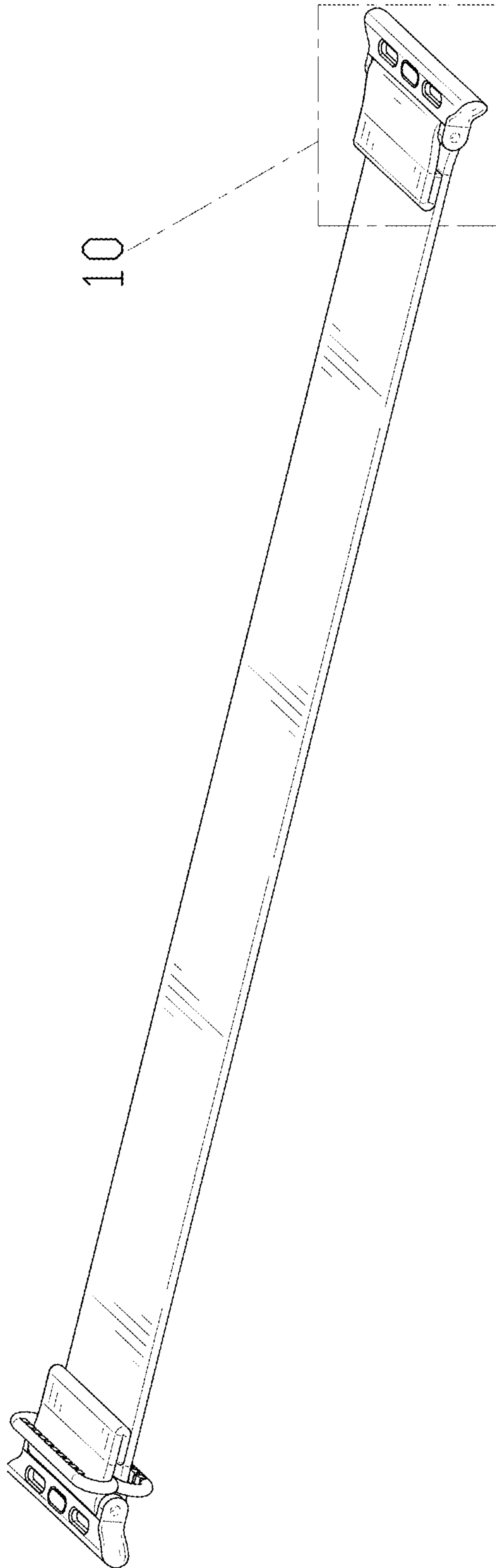


FIG. 1

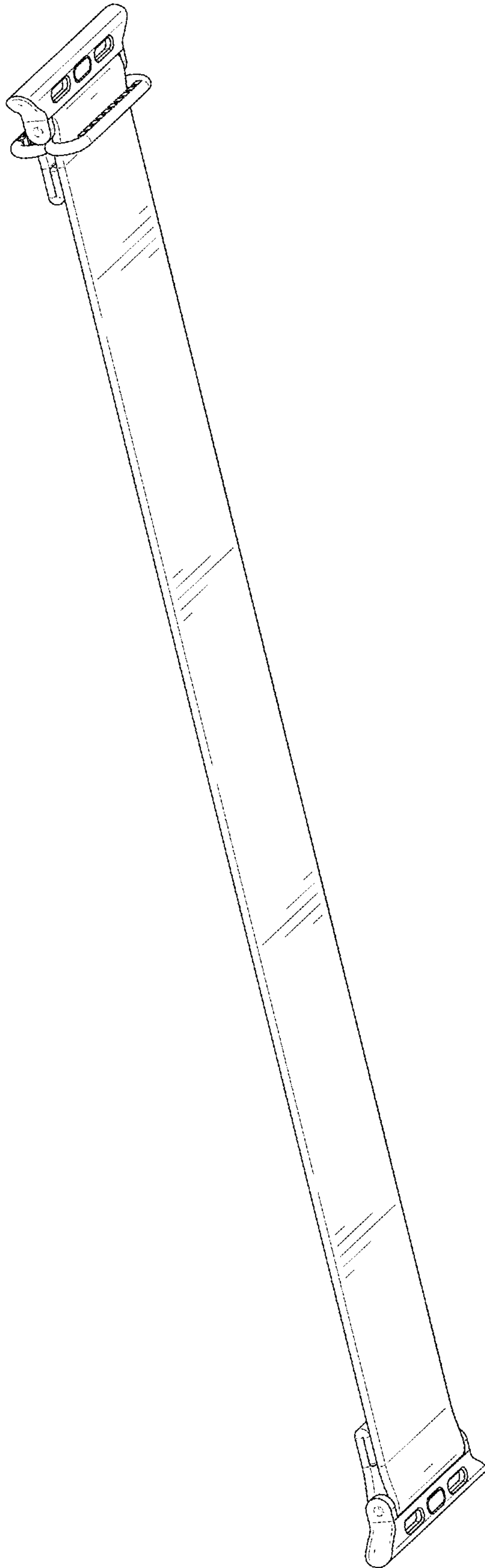


FIG. 2

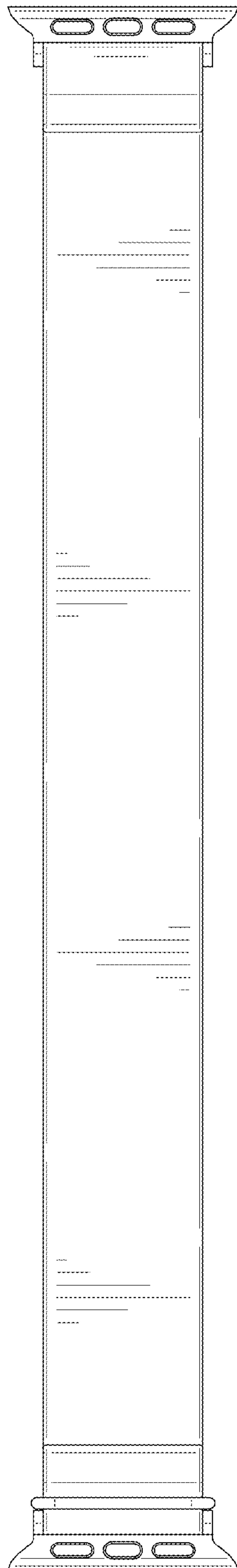


FIG. 3

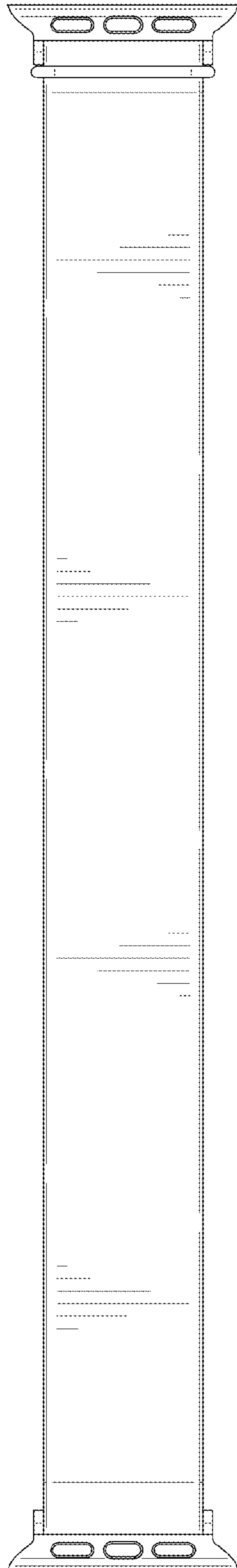


FIG. 4

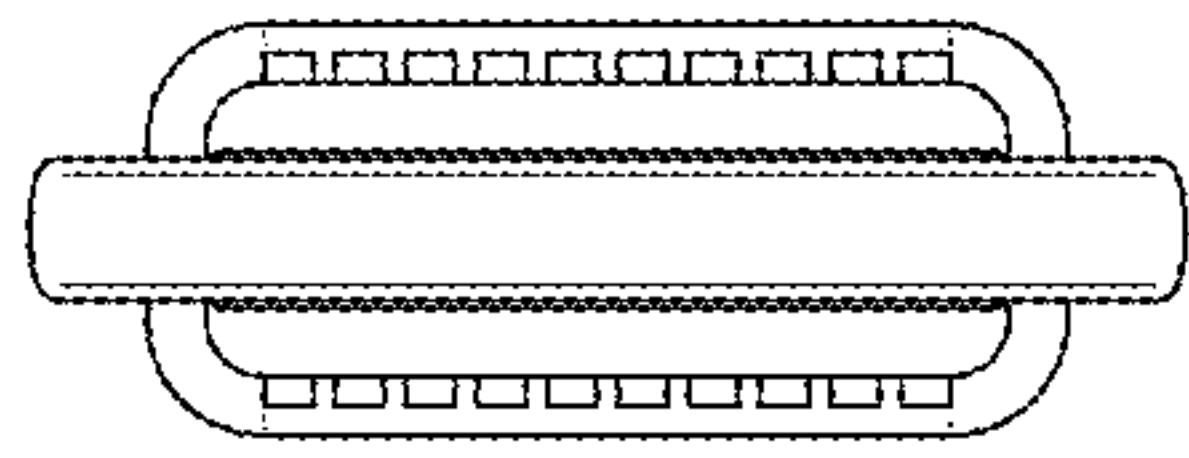


FIG. 5

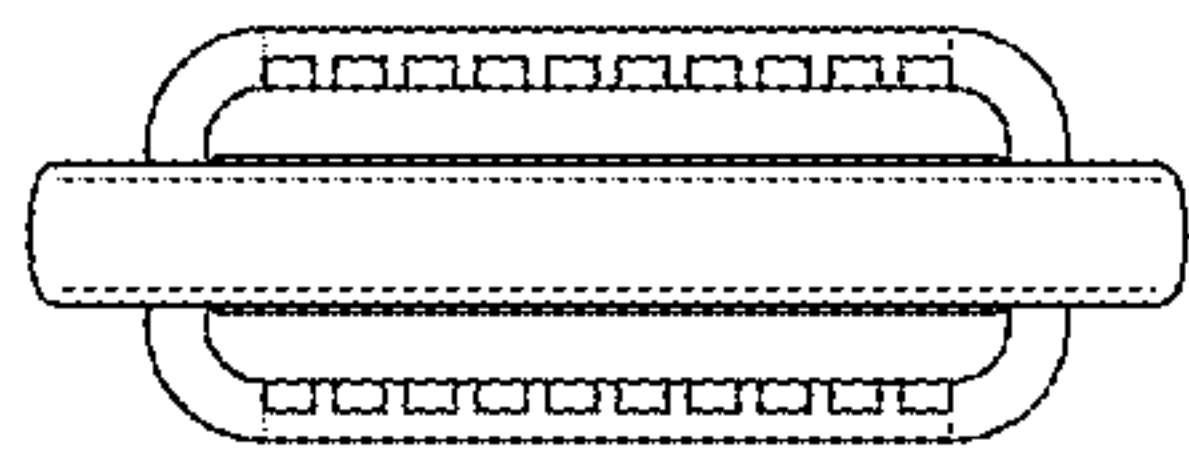


FIG. 6

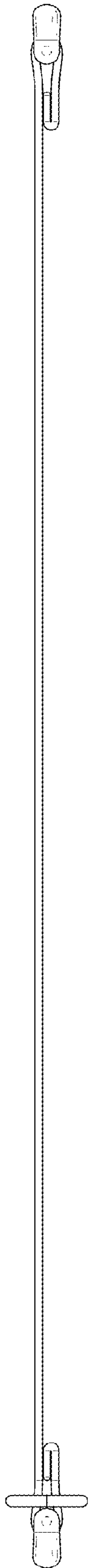


FIG. 7



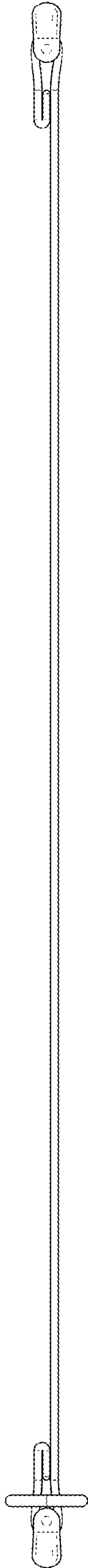


FIG. 8

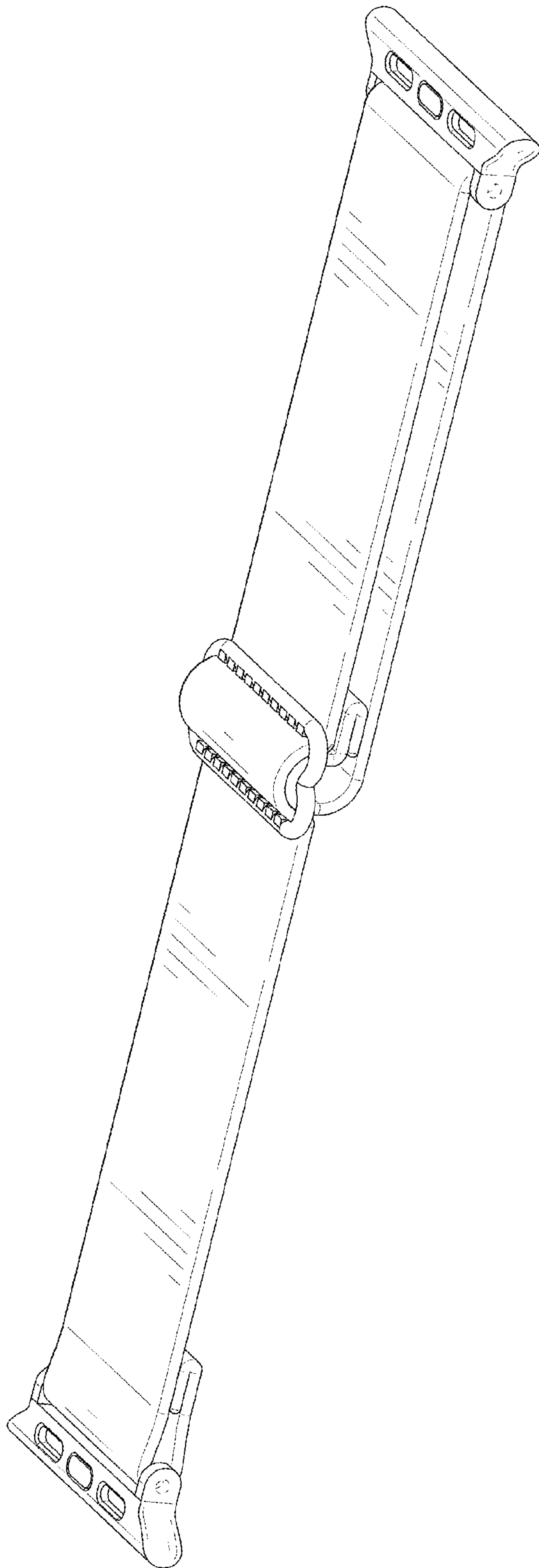


FIG. 9

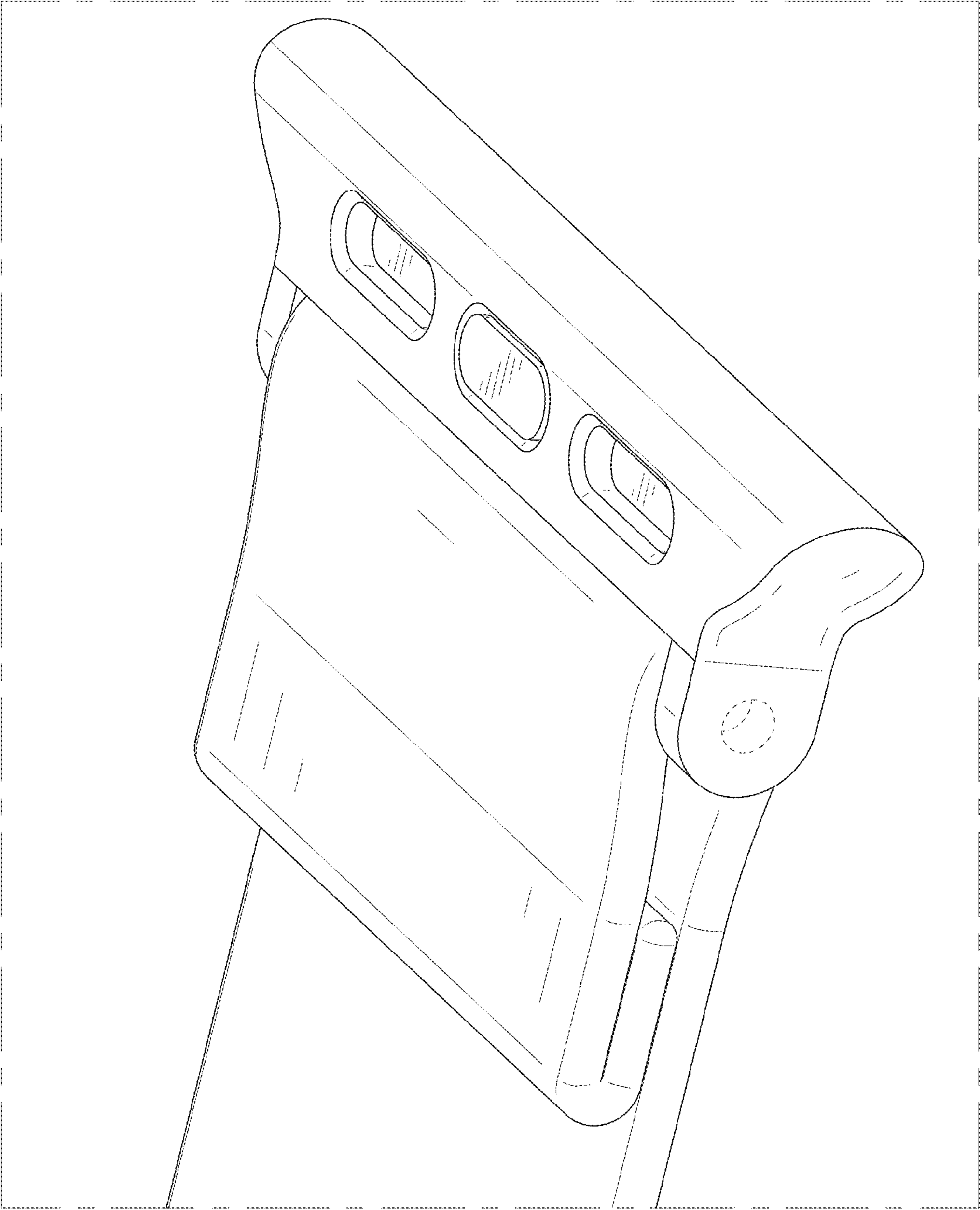


FIG. 10