

US00D944107S

(12) **United States Design Patent** (10) **Patent No.:** **US D944,107 S**
White et al. (45) **Date of Patent:** **** *Feb. 22, 2022**

(54) **NOVELTY WATERFOWL CALL**

(71) Applicants: **Patrick Daniel White**, Kuna, ID (US);
Lisa Diane Goslin, Kuna, ID (US)

(72) Inventors: **Patrick Daniel White**, Kuna, ID (US);
Lisa Diane Goslin, Kuna, ID (US)

(*) Notice: This patent is subject to a terminal disclaimer.

(**) Term: **15 Years**

(21) Appl. No.: **29/717,670**

(22) Filed: **Dec. 18, 2019**

(51) **LOC (13) Cl.** **10-05**

(52) **U.S. Cl.**
USPC **D10/119.1**

(58) **Field of Classification Search**
USPC D10/119.1, 119.2; D22/199; D24/215
CPC A01M 31/004; A63H 5/00
See application file for complete search history.

(56) **References Cited**

U.S. PATENT DOCUMENTS

D660,739 S * 5/2012 Coin D10/119.1
D777,595 S * 1/2017 Counts D10/119.1
D882,108 S * 4/2020 Li D24/215

OTHER PUBLICATIONS

CnB_Duckcalls, CnB Duck Call Demo!!!, Instagram.com, Apr. 16, 2020. Retrieved from the internet on Oct. 8, 2021 <URL: https://www.instagram.com/tv/B_DzCPvJ5SA/?utm_source=ig_web_copy_link> (Year: 2020).*

* cited by examiner

Primary Examiner — George D. Kirschbaum

Assistant Examiner — Joseph J Kukella

(74) *Attorney, Agent, or Firm* — Shaver & Swanson, LLP; Scott D. Swanson

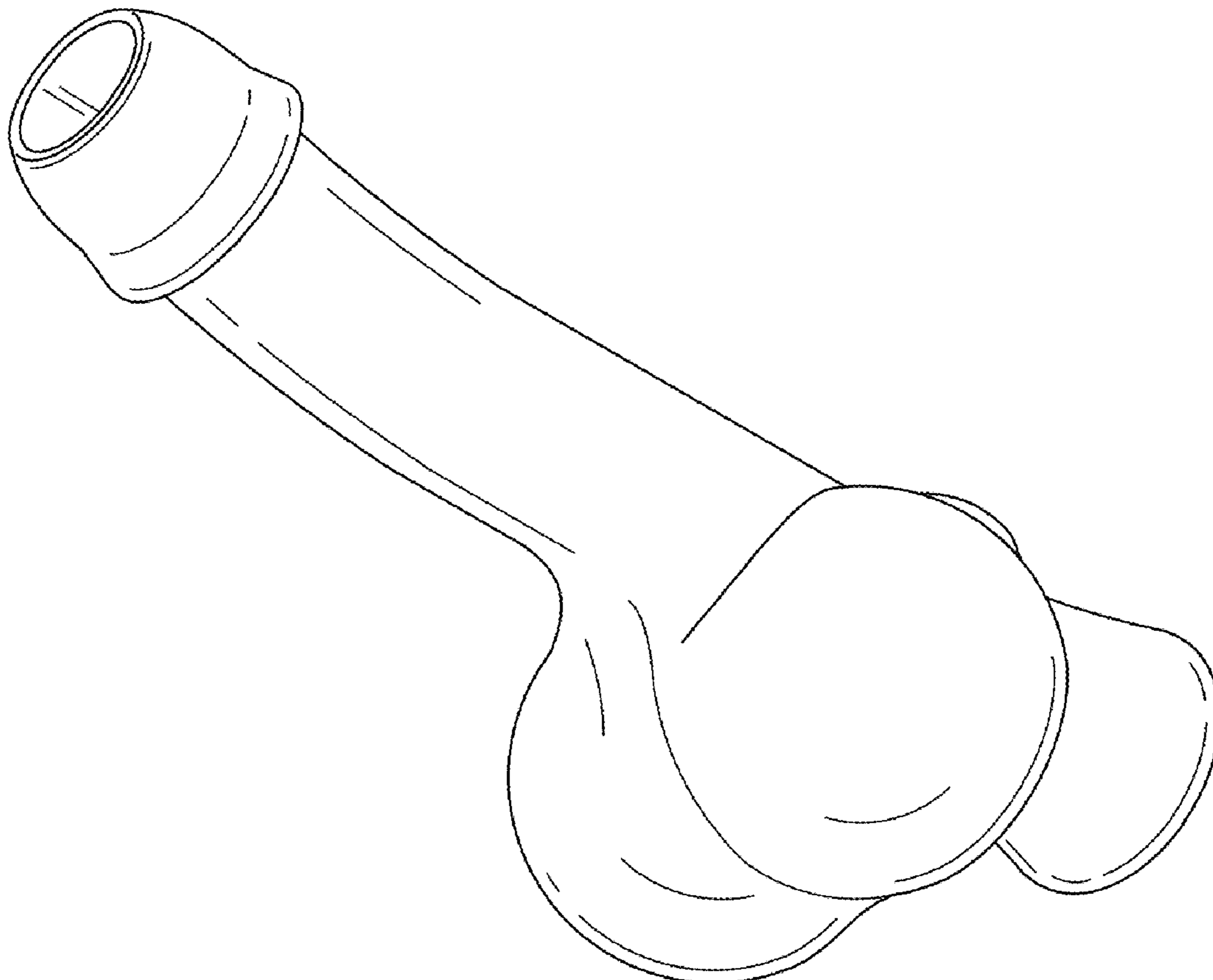
(57) **CLAIM**

The ornamental design for a novelty waterfowl call, as shown and described.

DESCRIPTION

FIG. 1 is a lower front isometric perspective view of the novelty waterfowl call showing my new design; FIG. 2 is an upper back isometric perspective view thereof; FIG. 3 is a top view thereof; FIG. 4 is a side view thereof; FIG. 5 is a bottom view thereof; FIG. 6 is a front view thereof; and, FIG. 7 is a back view thereof.

1 Claim, 3 Drawing Sheets



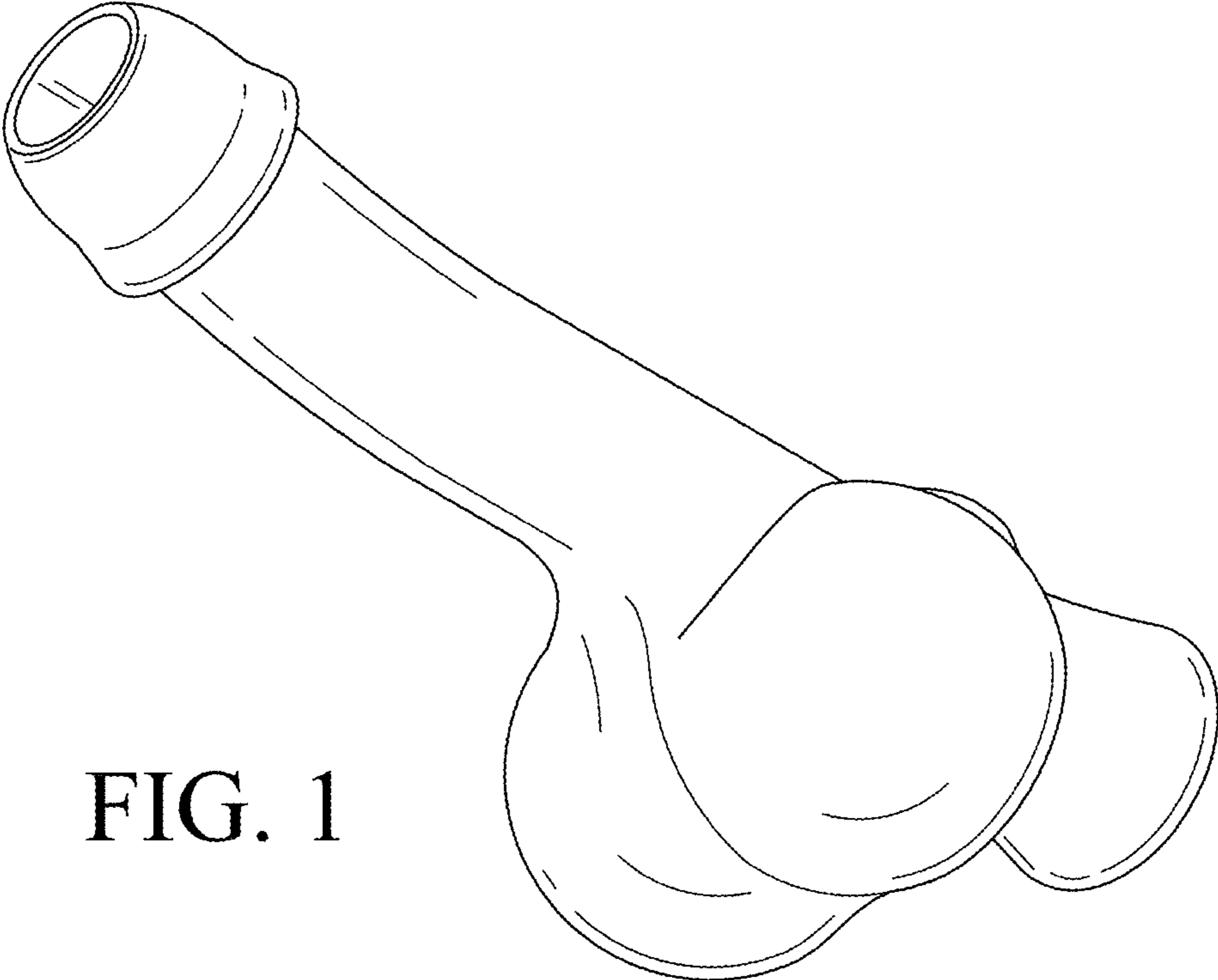


FIG. 1

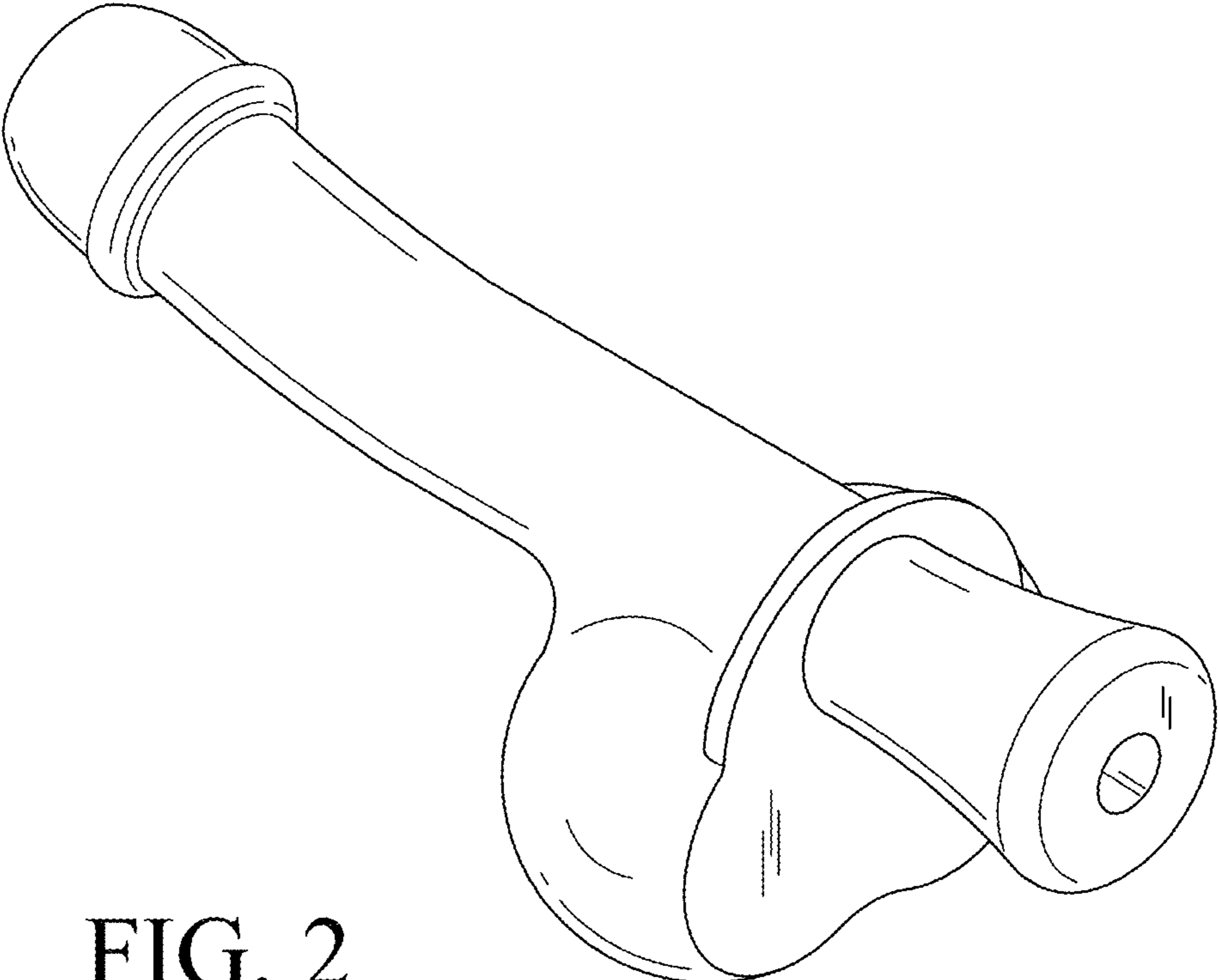


FIG. 2

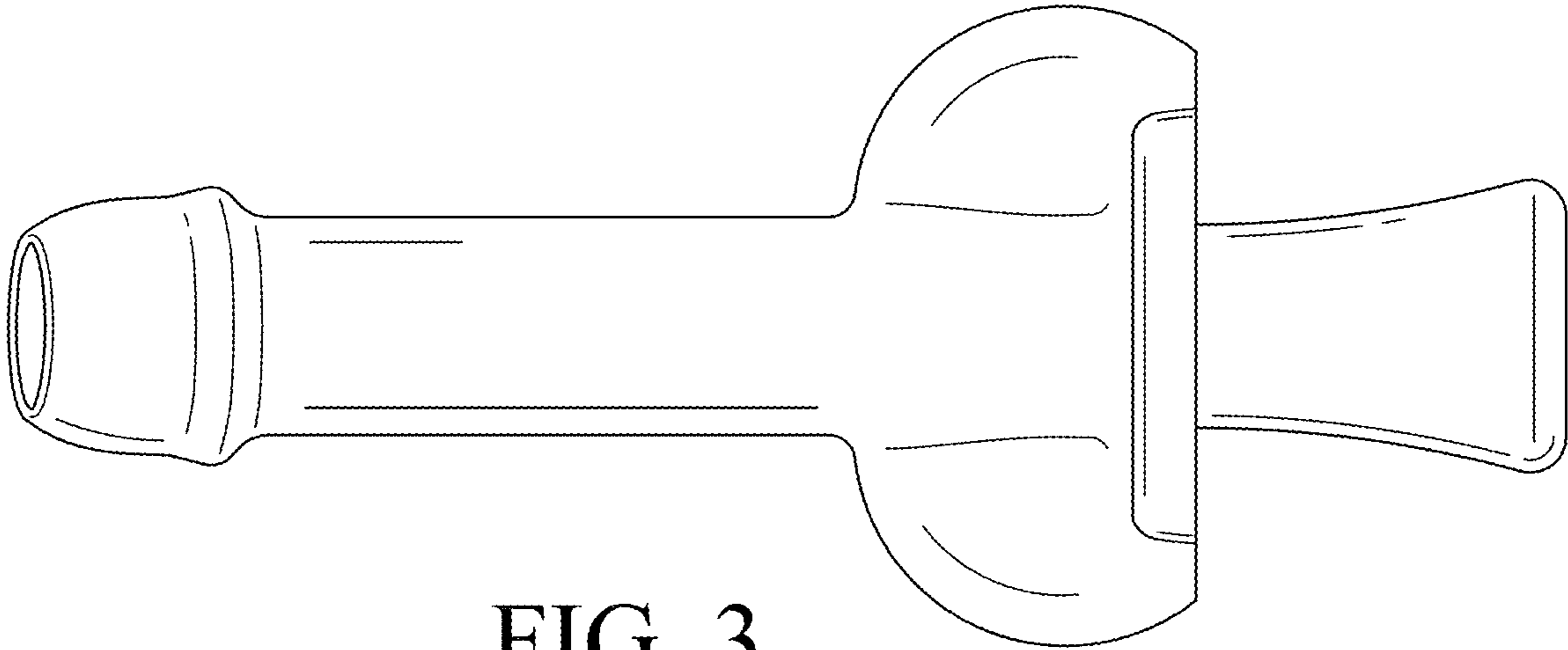


FIG. 3

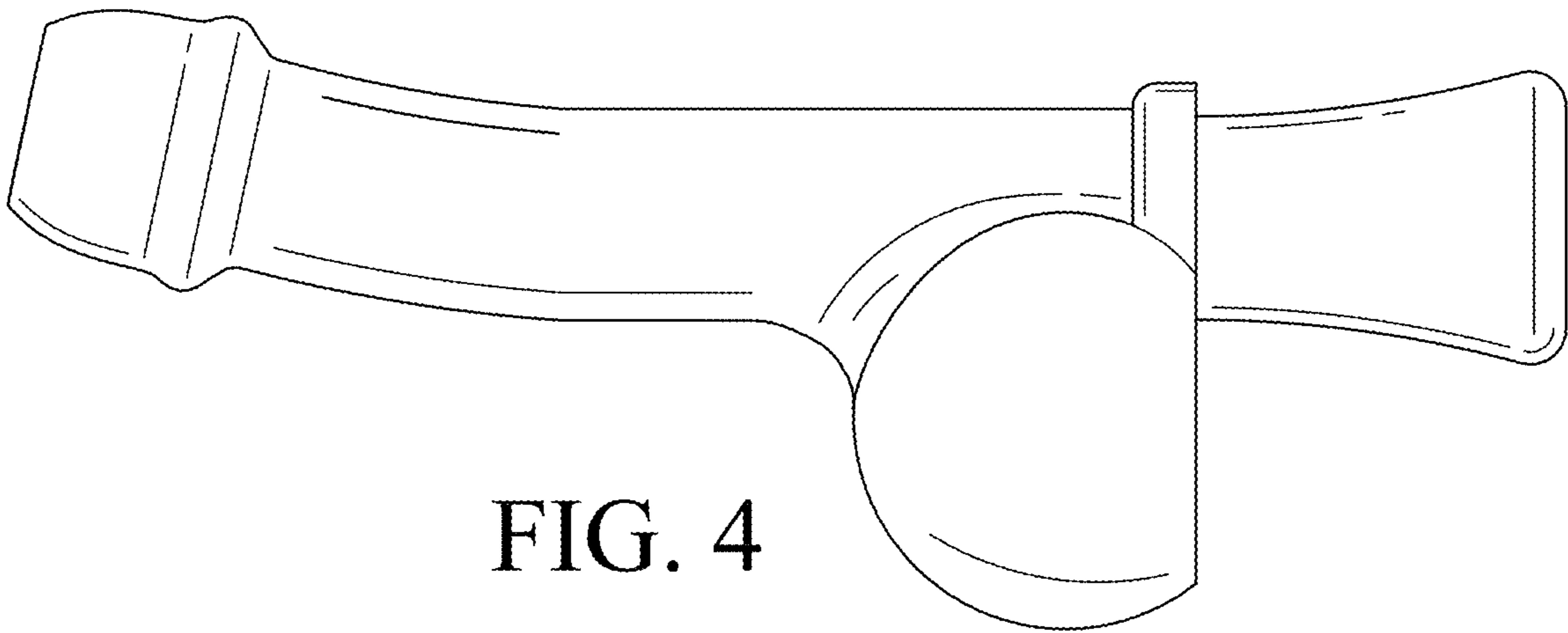


FIG. 4

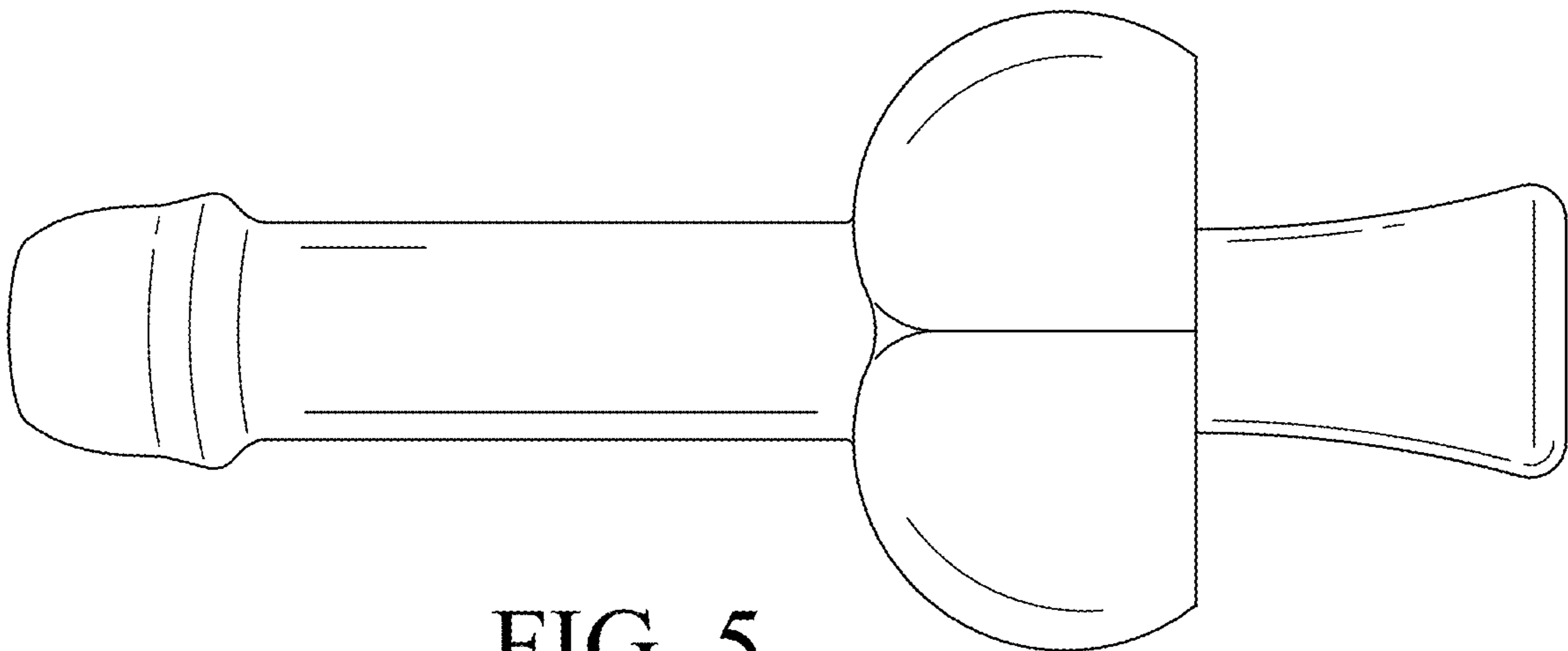


FIG. 5

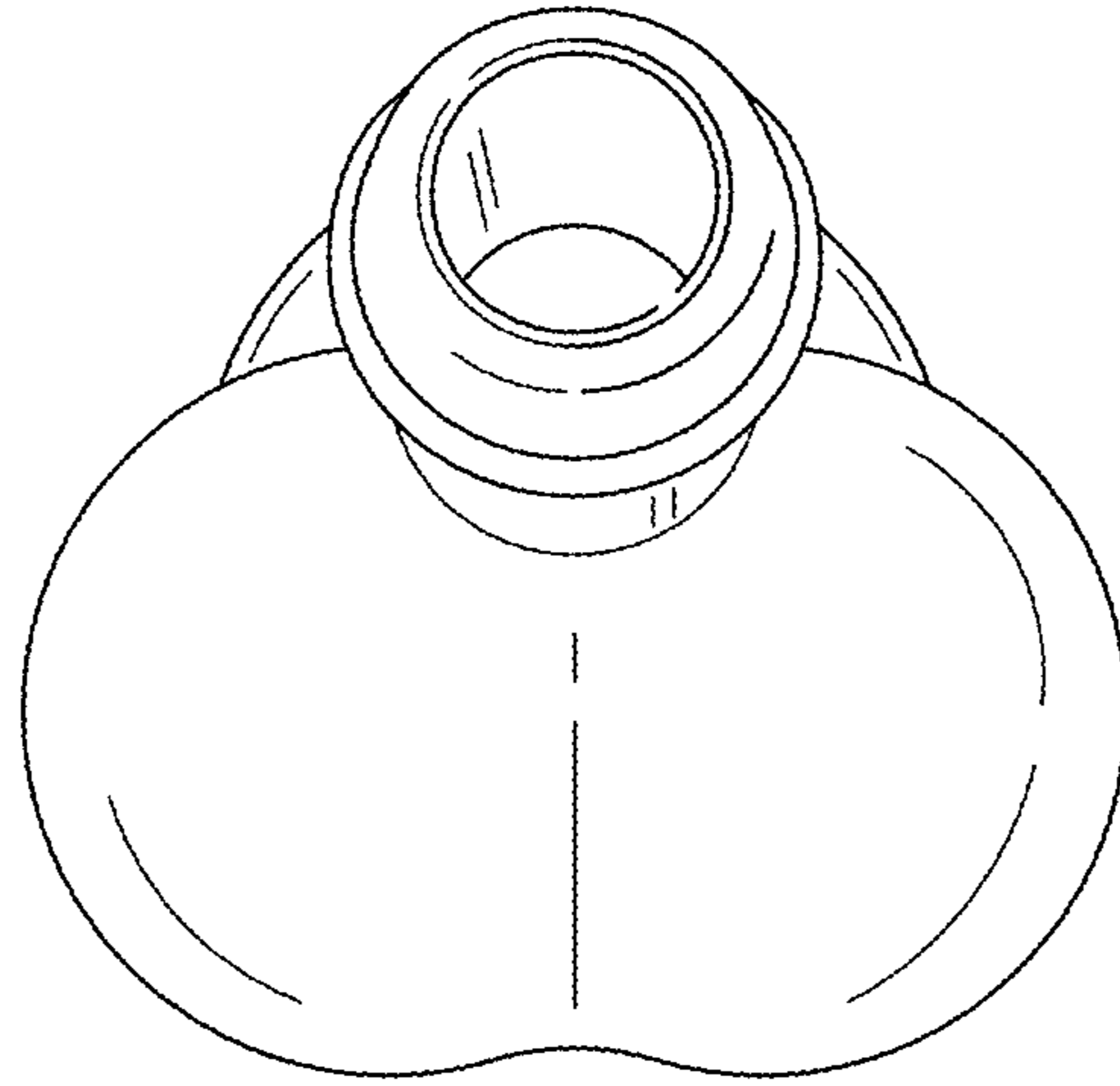


FIG. 6

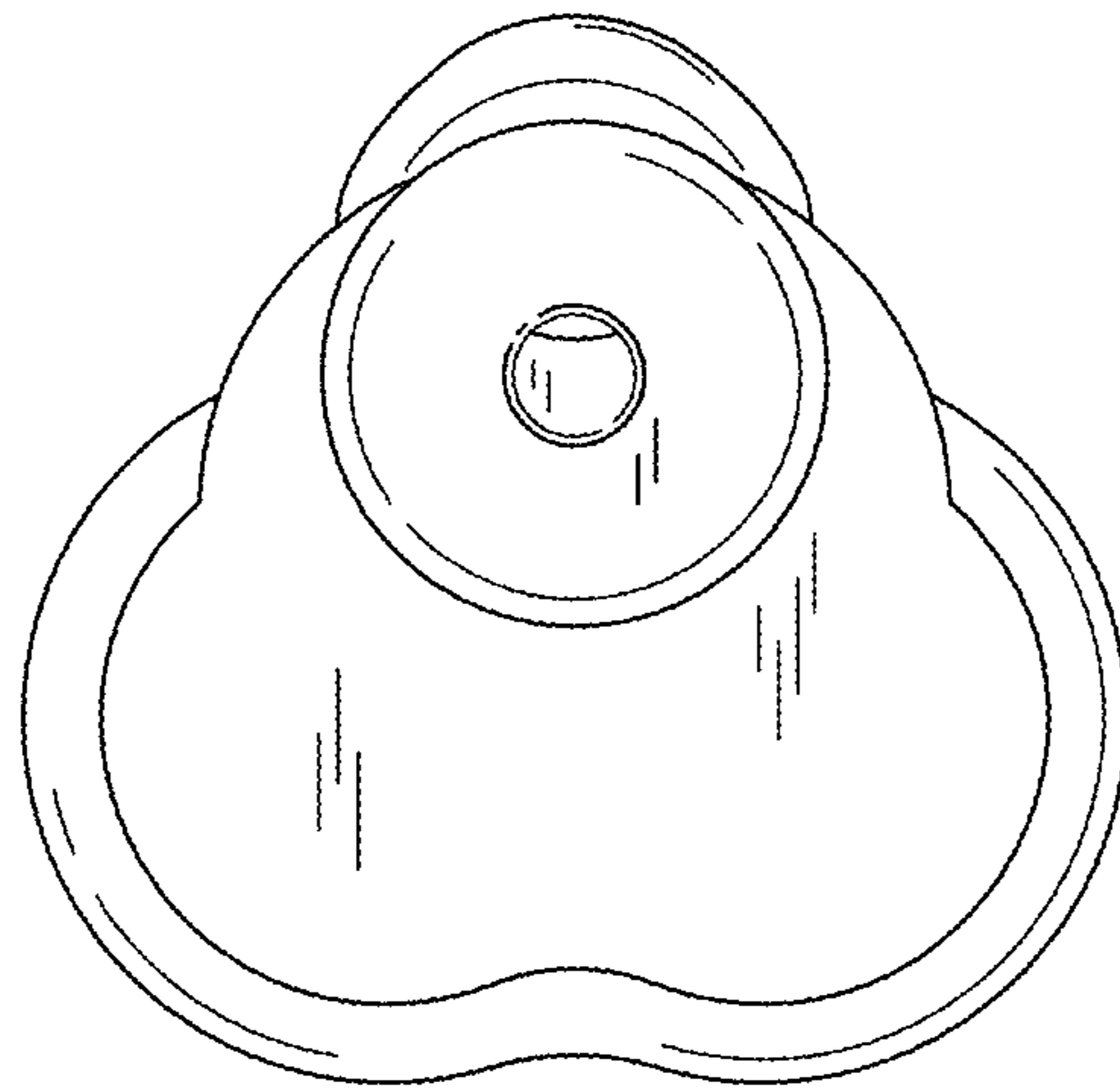


FIG. 7