



US00D944106S

(12) **United States Design Patent**
Peled et al.

(10) **Patent No.:** **US D944,106 S**
(45) **Date of Patent:** **** Feb. 22, 2022**

(54) **MOUNTABLE BOX FOR ELECTRONIC COMPONENTS**

(71) Applicant: **AMI GLOBAL**, Las Vegas, NV (US)

(72) Inventors: **Ori Peled**, Las Vegas, NV (US); **Malte Eriksen**, Aalborg (DK)

(73) Assignee: **AMI GLOBAL**, Las Vegas, NV (US)

(**) Term: **15 Years**

(21) Appl. No.: **29/723,782**

(22) Filed: **Feb. 10, 2020**

(51) **LOC (13) Cl.** **10-04**

(52) **U.S. Cl.**
USPC **D10/97**; D8/382

(58) **Field of Classification Search**
USPC D10/96–103, 46, 47, 80–82, 75–79, 61,
D10/65, 67, 106.91, 106.9, 106.4;
D8/394, 397, 383–386, 382
CPC ... G01F 23/02; G01F 1/05; G01F 1/22; G01F
1/26; G01F 1/28; G01F 15/06; G01F
23/0015; G01F 1/06; G01F 1/08; B60P
3/228; B60P 3/2265; G01P 5/24; F04B

(Continued)

(56) **References Cited**

U.S. PATENT DOCUMENTS

D81,479 S * 7/1930 Heitkamp D15/138
D366,003 S * 1/1996 Take D10/98
D419,085 S * 1/2000 Prus D10/86

(Continued)

FOREIGN PATENT DOCUMENTS

CN 300806606 * 8/2007
CN 302534086 * 3/2013

(Continued)

OTHER PUBLICATIONS

Sotera Store, Digital Nutating Disc Poly Chemical Transfer Meter, Date first available Dec. 15, 2014, [online]retrieved Sep. 20, 2021, available from https://www.amazon.com/Fill-Rite-825-Digital-Meter-2-20/dp/B00R4IYCM8/ref=sr_1_31?dchild=1&keywords=flowmeter%2Bmountable%2Bcounter&qid=1632153850&s=indus (Year: 2014).*

(Continued)

Primary Examiner — Keli L Hill

Assistant Examiner — Sara S Sahneh

(74) *Attorney, Agent, or Firm* — Lathrop GPM LLP

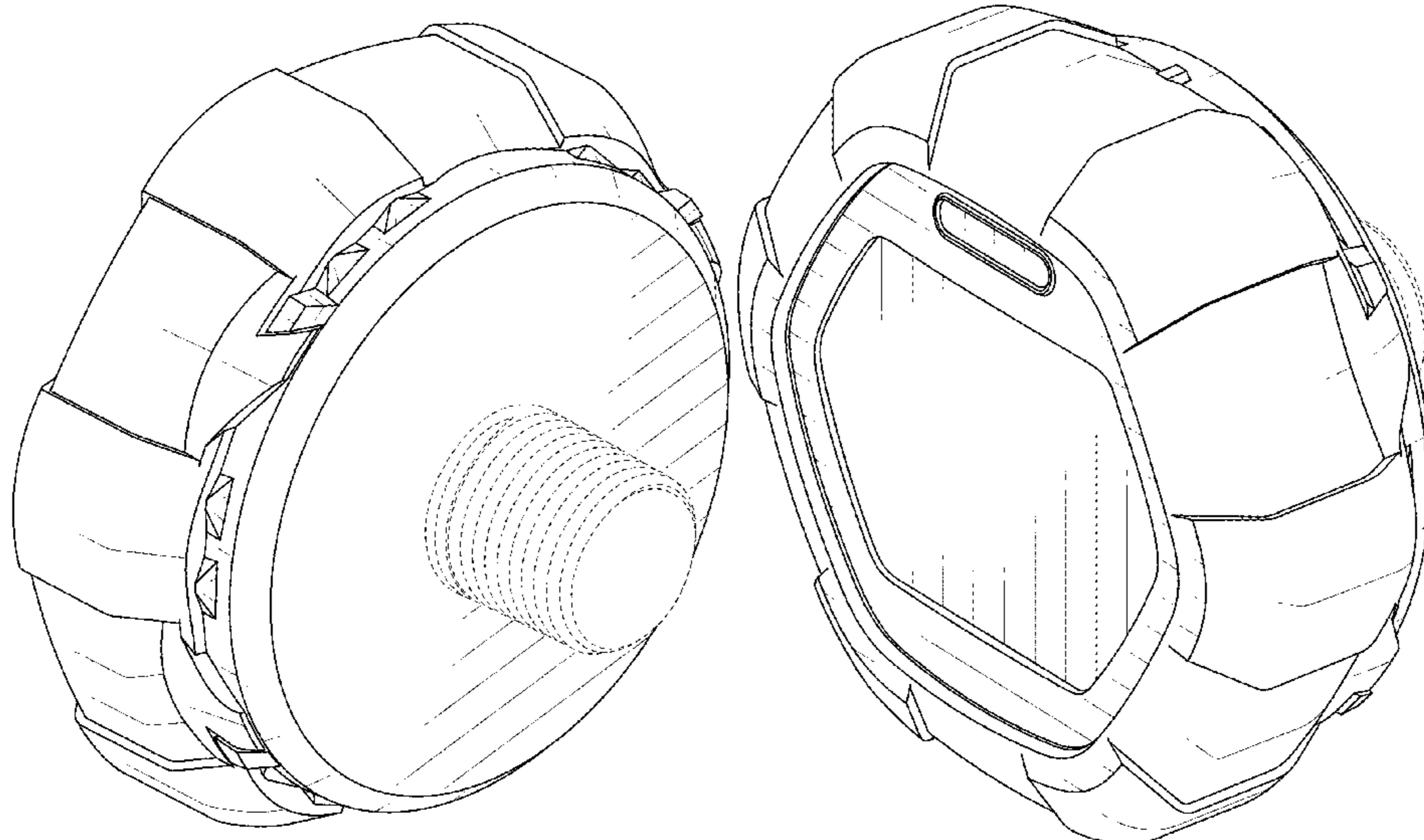
(57) **CLAIM**

The ornamental design for a mountable box for electronic components, as shown and described herein.

DESCRIPTION

FIG. 1 is a back perspective view of a mountable box for electronic components according to our new design; FIG. 2 is a front perspective view of the mountable box for electronic components of FIG. 1; FIG. 3 is a bottom plan view of the mountable box for electronic components of FIG. 1; FIG. 4 is a first side elevation of the mountable box for electronic components of FIG. 1; FIG. 5 is a second side elevation of the mountable box for electronic components of FIG. 1, opposite the first side; FIG. 6 is a third side elevation of the mountable box for electronic components seen of FIG. 1, which is a quarter-turn from the first side; FIG. 7 is a fourth side elevation of the mountable box for electronic components seen of FIG. 1, opposite the third side; and, FIG. 8 is a top plan view of the the mountable box for electronic components of FIG. 1. Broken lines showing in the figures illustrate portions of the mountable box for electronic components that form no part of the claimed design.

1 Claim, 8 Drawing Sheets



(58) **Field of Classification Search**
 CPC 45/04; F04B 49/06; F04B 51/00; F04B
 2201/1205

CN	306720768	*	2/2021
JP	D1600913	*	9/2017
JP	D1645809	*	2/2019

See application file for complete search history.

(56) **References Cited**

U.S. PATENT DOCUMENTS

D564,383	S	*	3/2008	Petrucelli	D10/86
D681,490	S	*	5/2013	Stansbury	D10/102
D686,929	S	*	7/2013	Rainer	D10/96
D769,141	S	*	10/2016	Merrill	D10/85
D817,794	S	*	5/2018	Manning	D10/85
D838,581	S	*	1/2019	Huang	D8/382
D910,426	S	*	2/2021	Wang	D8/382
D921,506	S	*	6/2021	Peich	D10/98
2015/0276454	A1	*	10/2015	Laursen	G01D 11/24 73/201
2021/0172432	A1	*	6/2021	Peled	F04B 45/04

FOREIGN PATENT DOCUMENTS

CN	304656545	*	12/2017
CN	305400700	*	5/2019

OTHER PUBLICATIONS

SSI Technologies, Series Media Gauge Digital Pressure Gauge Sensor, Date first available Feb. 18, 2013, [online] retrieved Sep. 20, 2021, available from https://www.amazon.com/SSI-TECHNOLOGIES-Pressure-Operating-Connector/dp/B00BHNXEE8/ref=pd_di_scai_10/134-5564337-2927451?pd_rd_w=4yS7R&pf_rd_p=c9443270 (Year: 2013).*

Wise, Hart Type Differential Pressure Transmitter, Date first available Jul. 31, 2020, [online] retrieved Sep. 20, 2021, available from https://www.amazon.com/Differential-Pressure-Transmitter-mounting-Approval/dp/B08F1QWCXC/ref=sr_1_68?dchild=1&keywords=DIFFERENTIAL+PRESSURE+TRANSMITTER&qid=1632155215&s=in (Year: 2020).*

FCI, ST100 Series Thermal Mass Flow Meters, Date first available 2010 Copy right, [online] retrieved Sep. 20, 2021, 20 pages, available from www.fluidcomponents.cn (Year: 2010).*

* cited by examiner

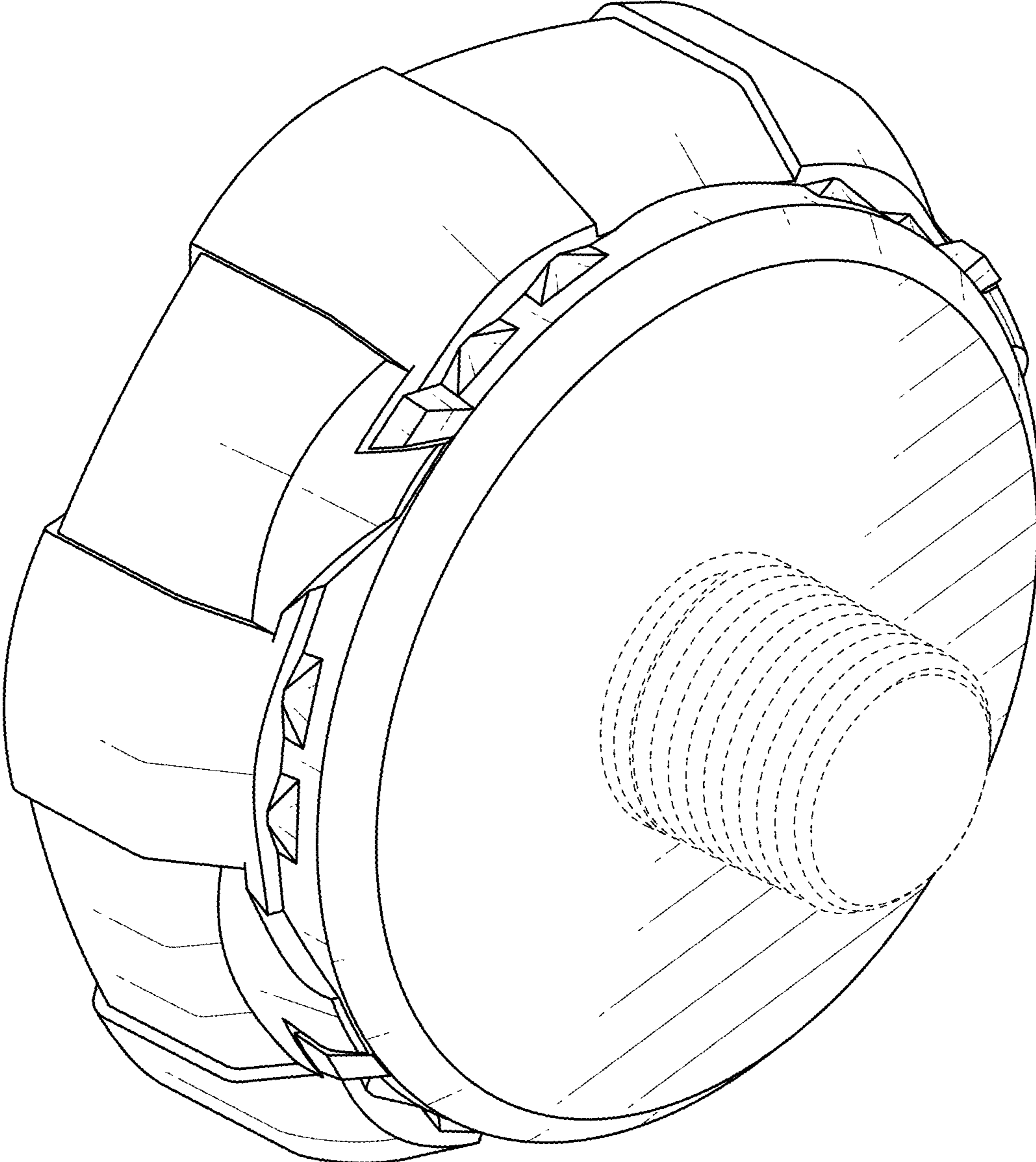


FIG. 1

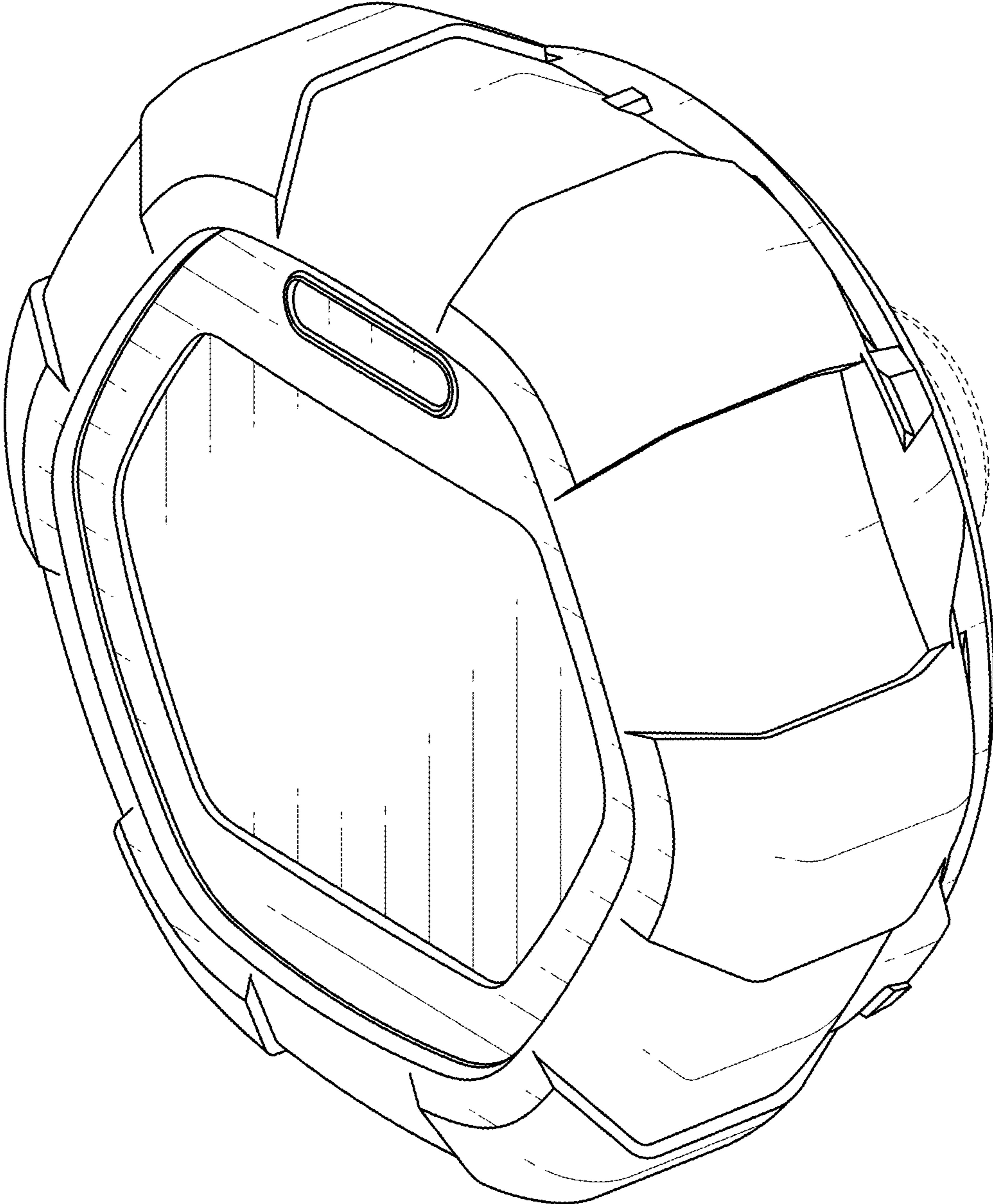


FIG. 2

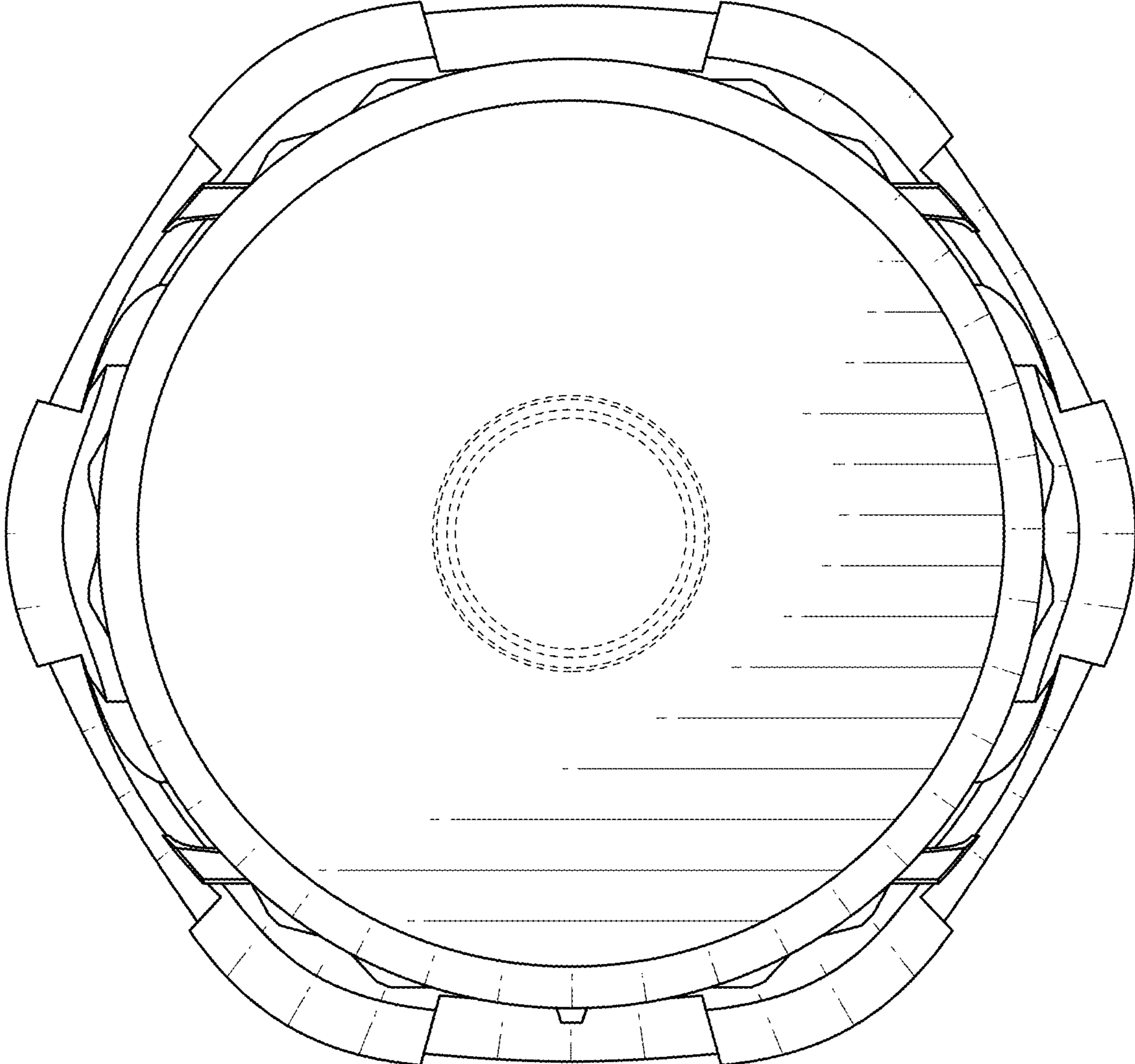


FIG. 3

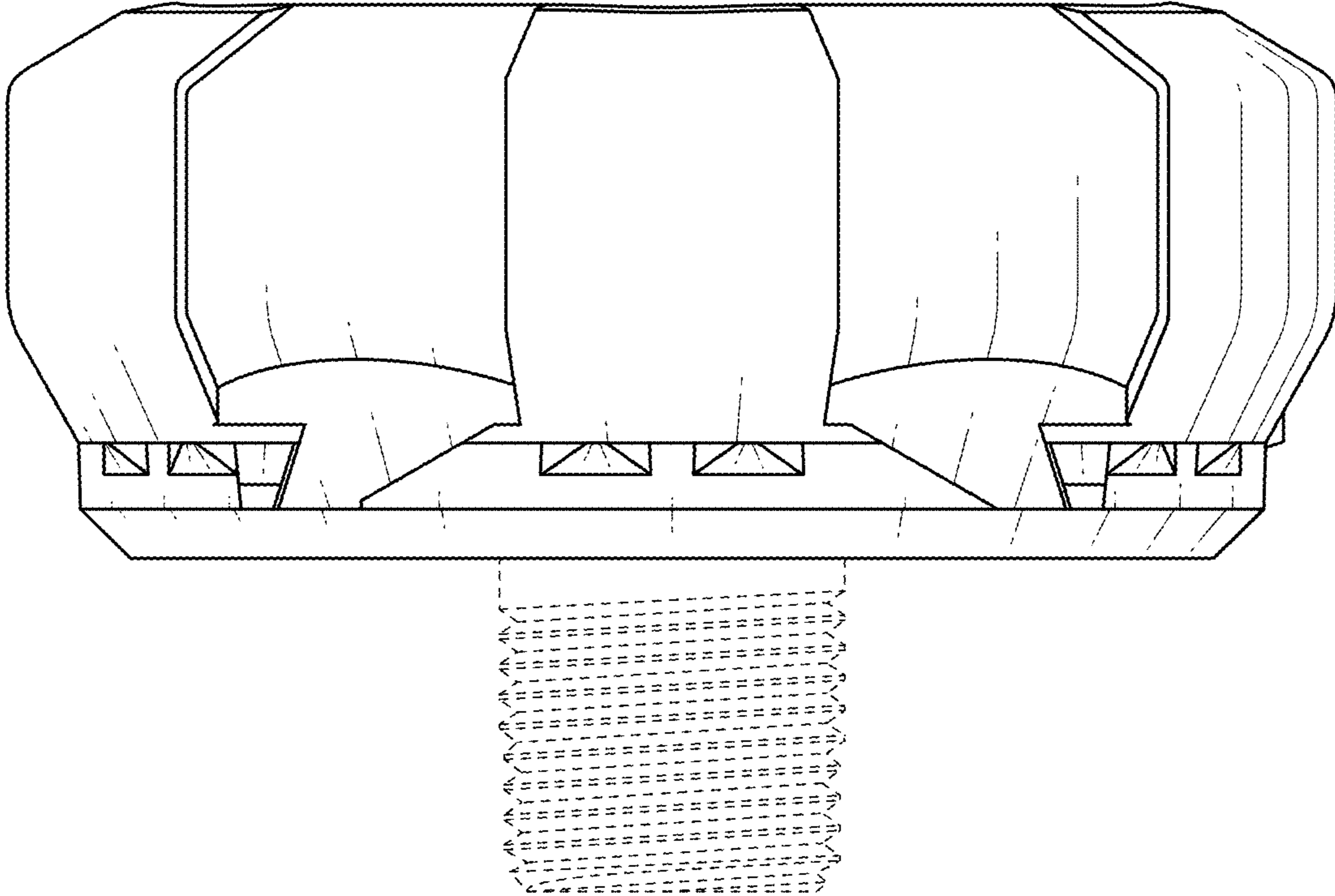


FIG. 4

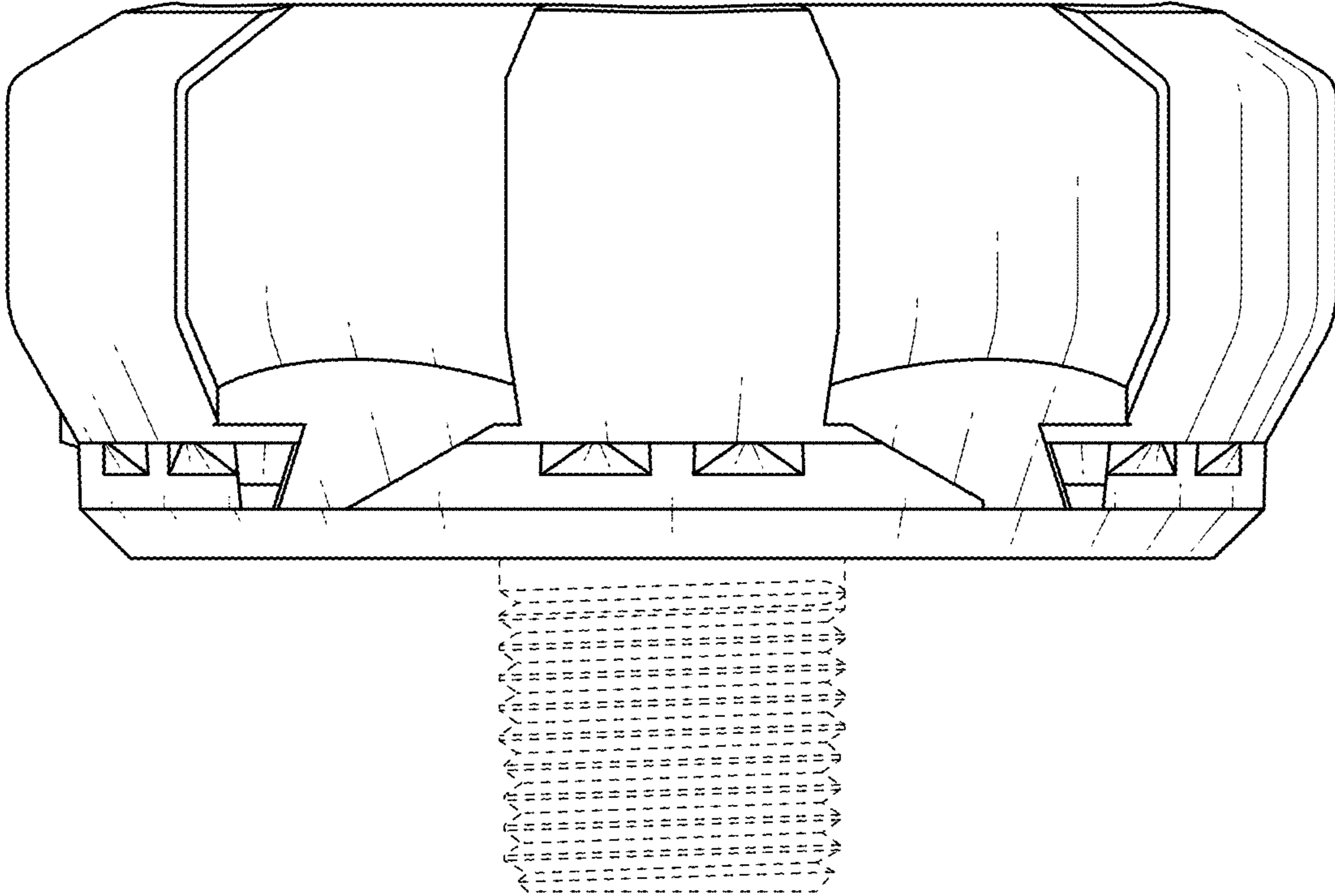


FIG. 5

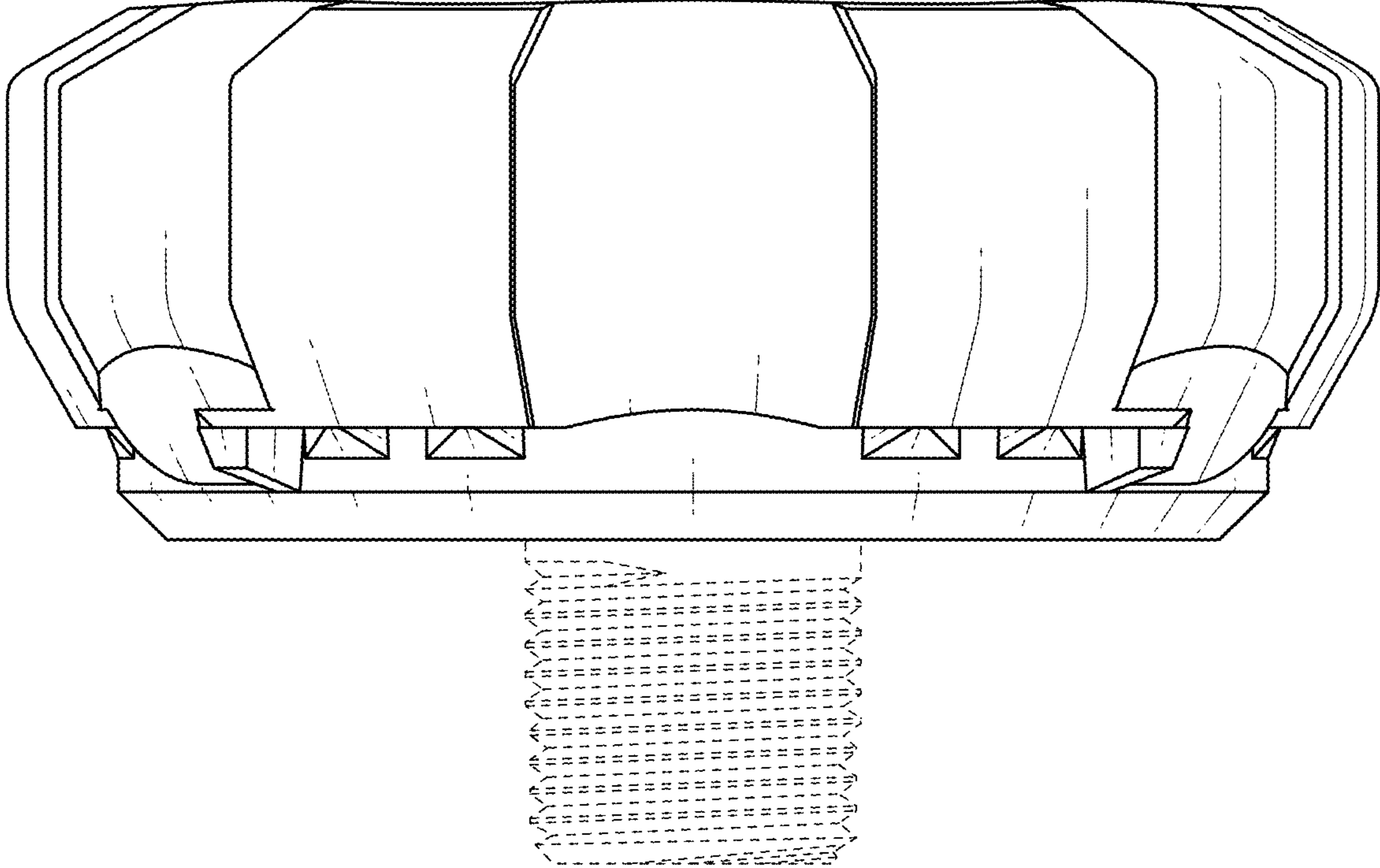


FIG. 6

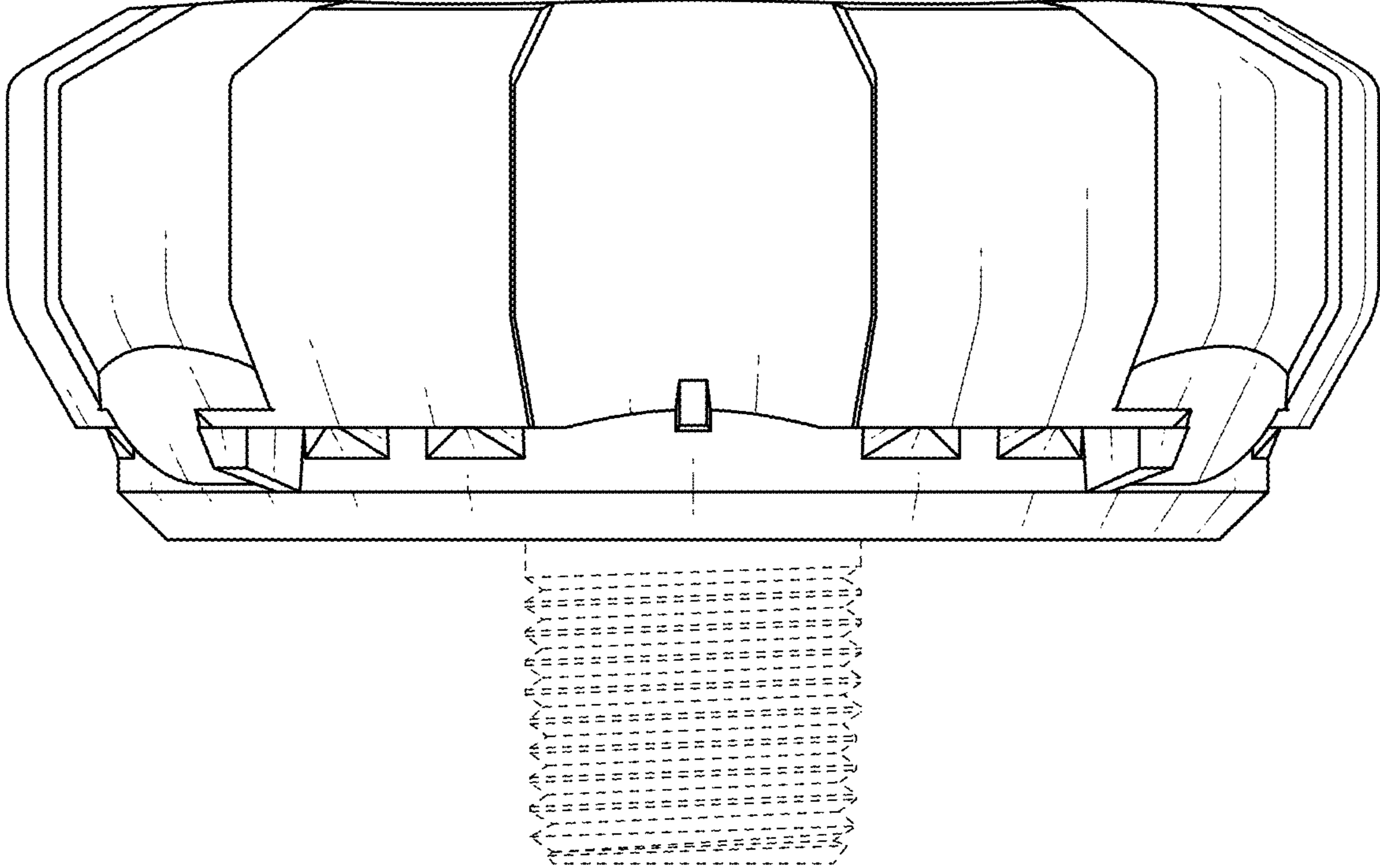


FIG. 7

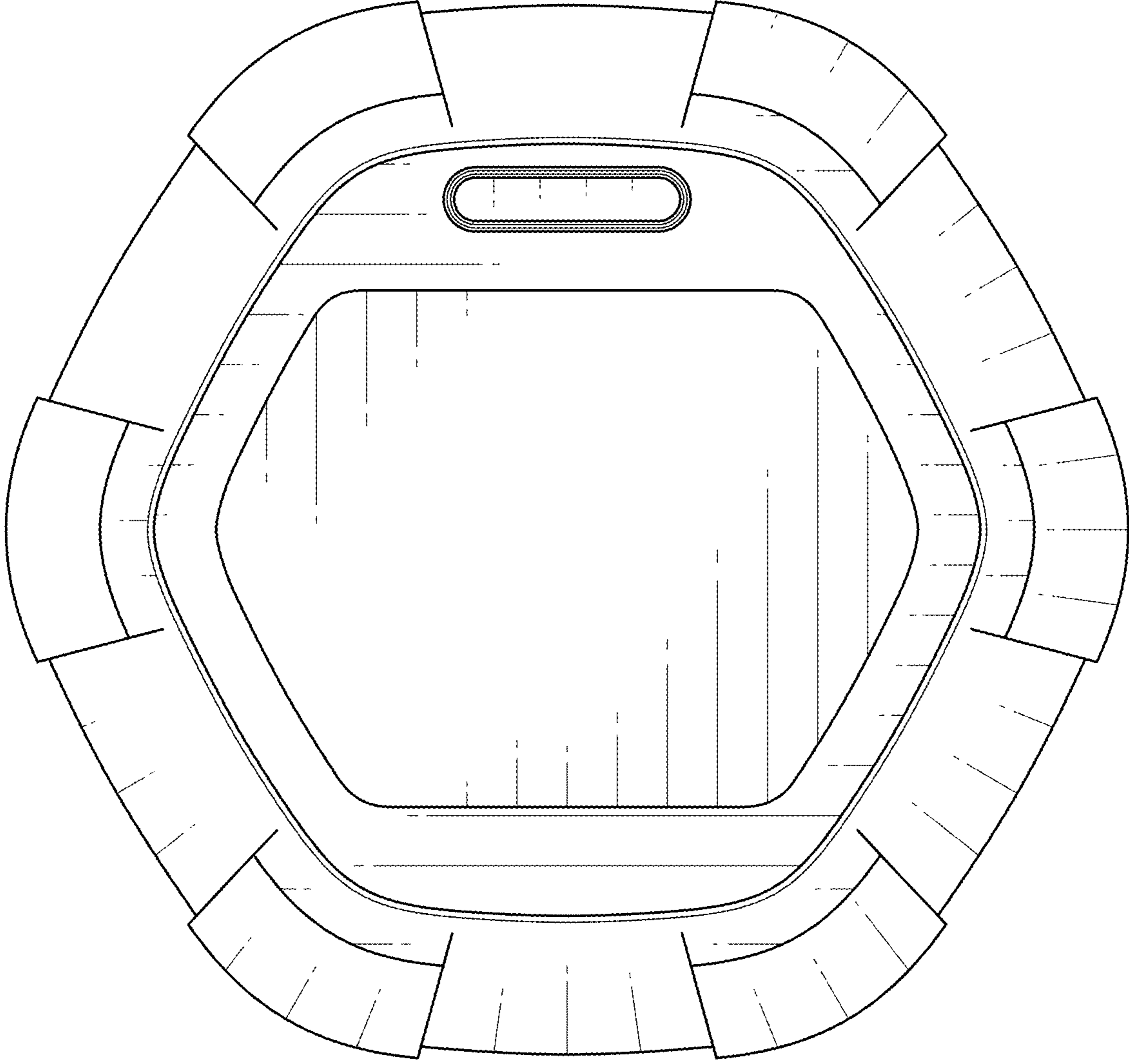


FIG. 8