



US00D944104S

(12) **United States Design Patent**
Wojciechowski et al.

(10) **Patent No.:** **US D944,104 S**

(45) **Date of Patent:** **** Feb. 22, 2022**

(54) **SCREED LEVEL**

(71) Applicant: **Johnson Level & Tool Mfg. Co., Inc.**,
Mequon, WI (US)

(72) Inventors: **Timothy J. Wojciechowski**, Hubertus,
WI (US); **David Mencil**, Menomonee
Falls, WI (US)

(73) Assignee: **Johnson Level & Tool Mfg. Co., Inc.**,
Mequon, WI (US)

(**) Term: **15 Years**

(21) Appl. No.: **29/730,895**

(22) Filed: **Apr. 9, 2020**

(51) **LOC (13) Cl.** **10-04**

(52) **U.S. Cl.**
USPC **D10/69**

(58) **Field of Classification Search**

USPC D10/69, 74, 71, 65; D19/133, 156
CPC ... G01C 9/28; G01C 9/34; G01C 9/36; G01C
9/26; G01C 9/24; G01C 5/00; G01C
15/02; G01C 9/30; G06N 20/00; G01B
3/566; B43L 7/0275; B43L 7/02; B43L
7/027193

See application file for complete search history.

(56) **References Cited**

U.S. PATENT DOCUMENTS

D514,961 S *	2/2006	Kim	D10/69
D526,224 S *	8/2006	Kim	D10/69
D730,207 S	5/2015	Ben Josef et al.		
D836,471 S	12/2018	Wyatt et al.		
10,520,308 B2	12/2019	Burge et al.		
2005/0229415 A1*	10/2005	Kim	G01C 9/28 33/451
2005/0229417 A1*	10/2005	Kim	G01C 9/28 33/451
2010/0218391 A1*	9/2010	Christianson	G01C 9/28 33/379

2017/0370716 A1*	12/2017	Burge	G01C 9/26
2018/0292207 A1*	10/2018	Wojciechowski	G01C 9/28
2021/0293539 A1*	9/2021	LaSota	G01C 9/28

OTHER PUBLICATIONS

Youtube [PROMO] Milwaukee MLCON Redstick Concrete Levels,
publication date Feb. 16, 2018, [online] URL: https://www.youtube.com/watch?v=3J4XQL_dF60 (Year: 2018).*

* cited by examiner

Primary Examiner — L. A. Grabenstetter

Assistant Examiner — Antoinette Martine Suiter

(74) *Attorney, Agent, or Firm* — Boyle Fredrickson S.C.

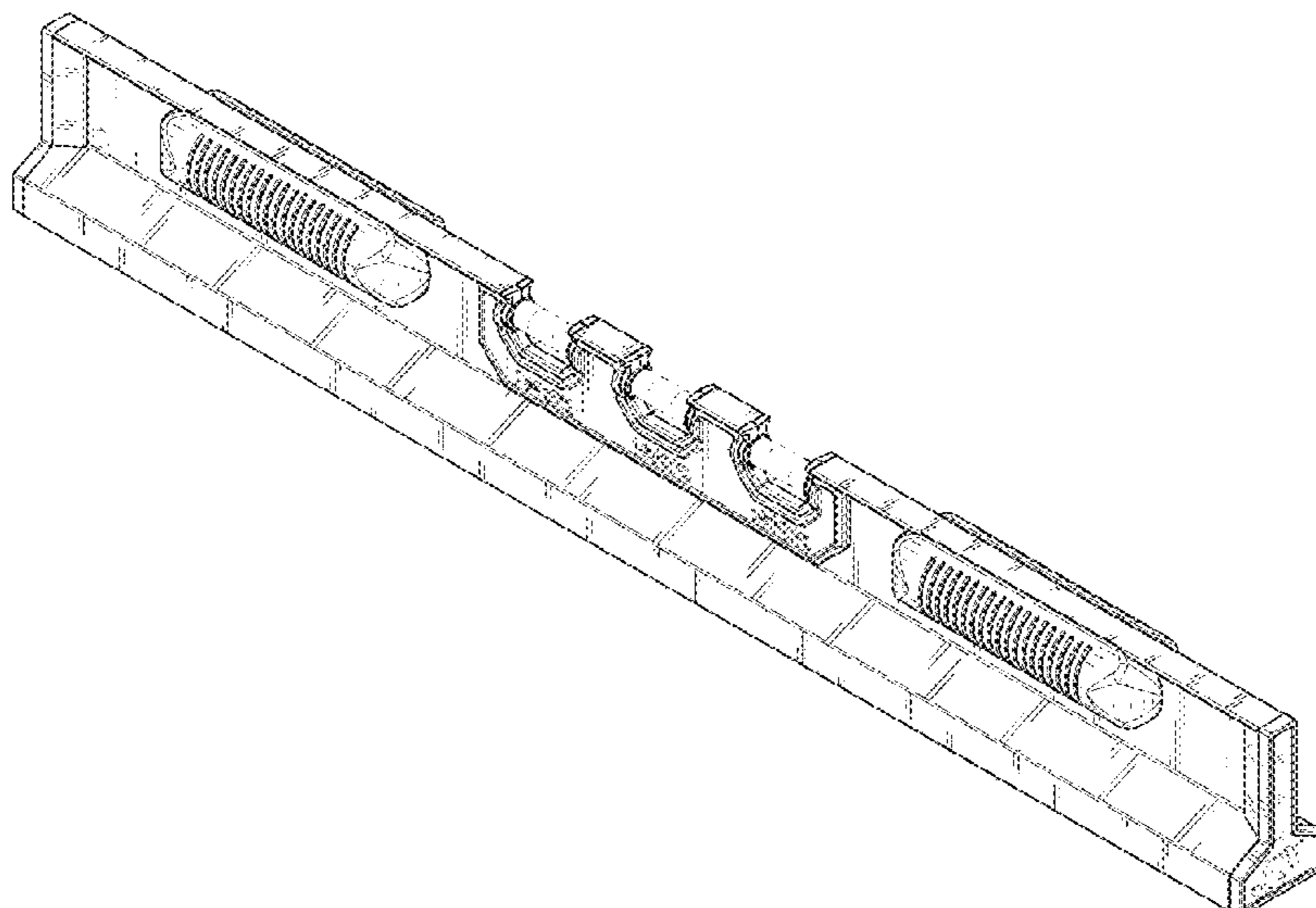
(57) **CLAIM**

The ornamental design for a screed level, as shown and described.

DESCRIPTION

FIG. 1 is an isometric view of a first embodiment of a screed level incorporating our new design, wherein the portions in phantom form no part of the claimed design; FIG. 2 is a first side elevation view thereof; FIG. 3 is a second side elevation view thereof; FIG. 4 is a first end elevation view thereof; FIG. 5 is a second end elevation view thereof; FIG. 6 is a top plan view thereof; FIG. 7 is a bottom plan view thereof; FIG. 8 is an isometric view of a second embodiment of a screed level incorporating our new design, wherein the portions in phantom form no part of the claimed design; FIG. 9 is a first side elevation view thereof; FIG. 10 is a second side elevation view thereof; FIG. 11 is a first end elevation view thereof; FIG. 12 is a second end elevation view thereof; FIG. 13 is a top plan view thereof; and, FIG. 14 is a bottom plan view thereof. The broken lines depict portions of the screed level that form no part of the claimed design.

1 Claim, 12 Drawing Sheets



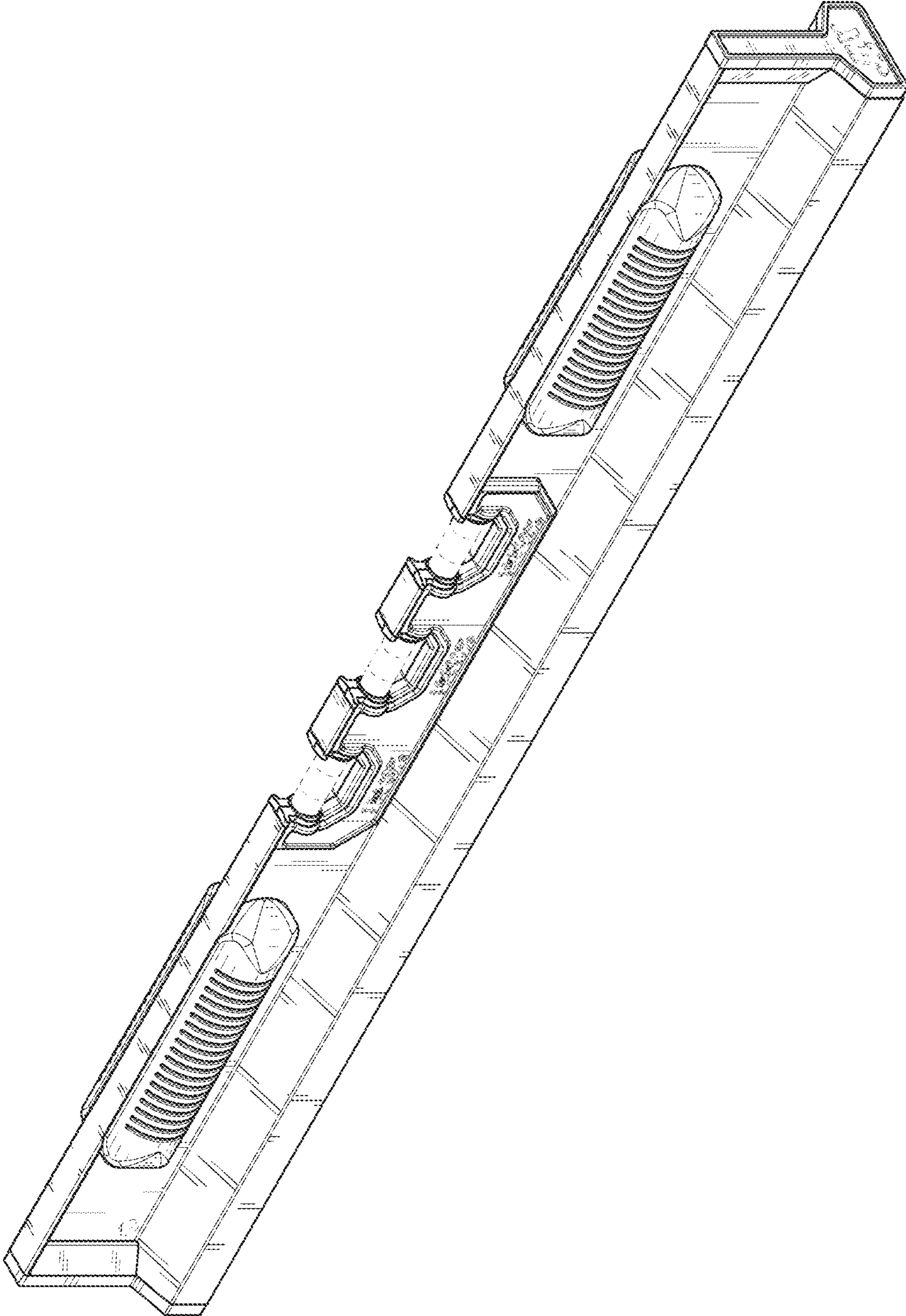


FIG. 1

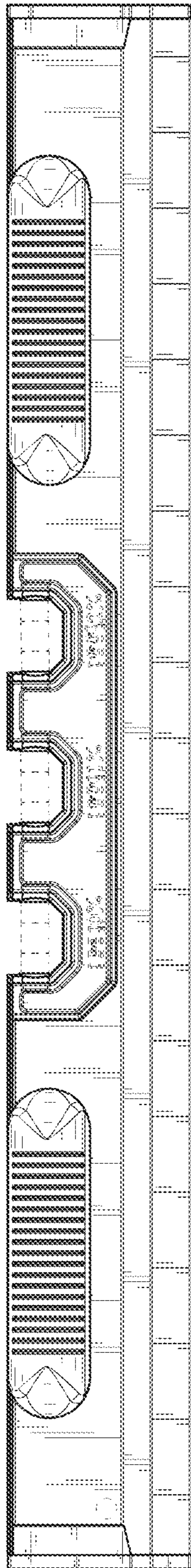


FIG. 2

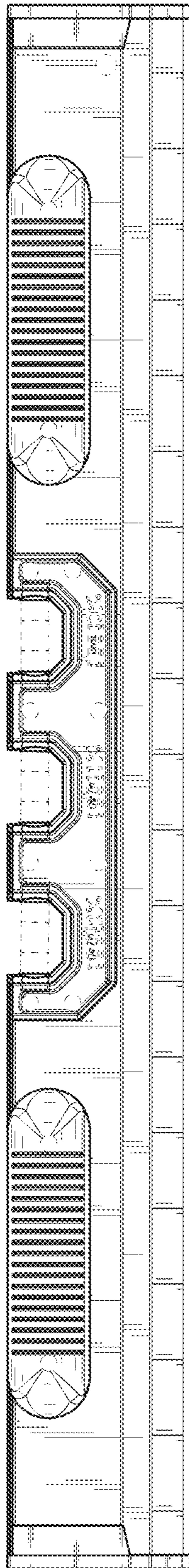


FIG. 3

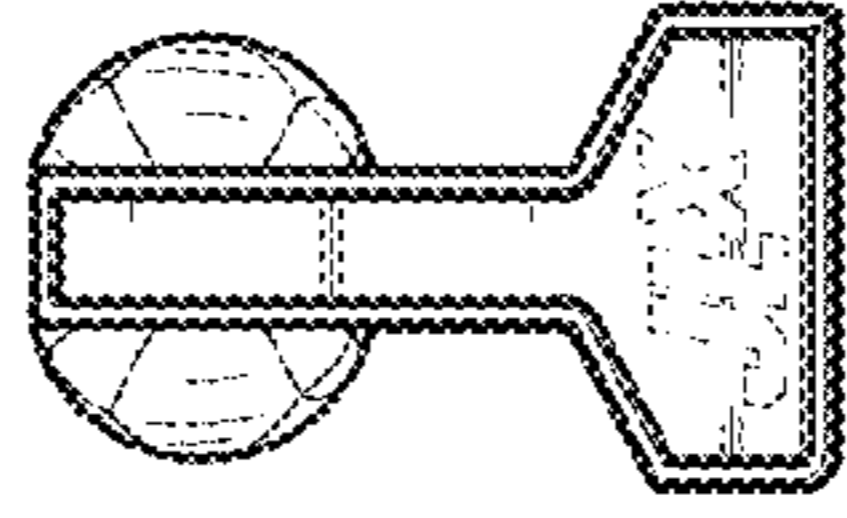


FIG. 5

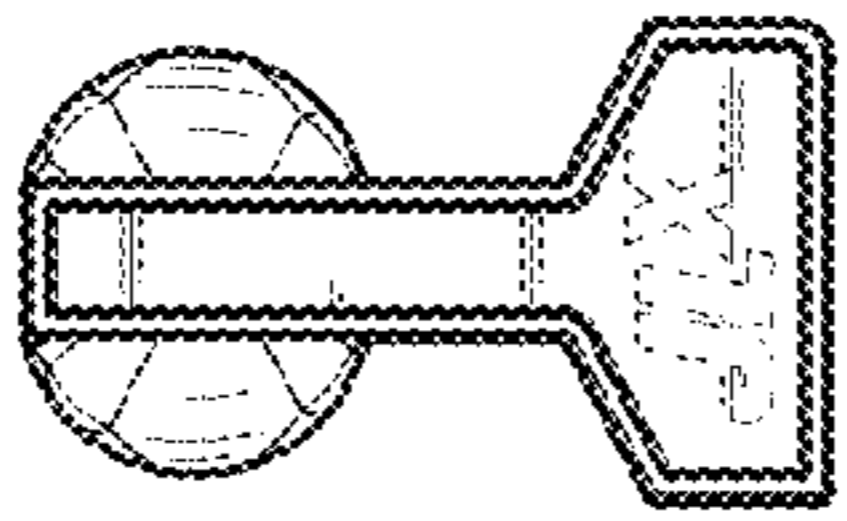


FIG. 4

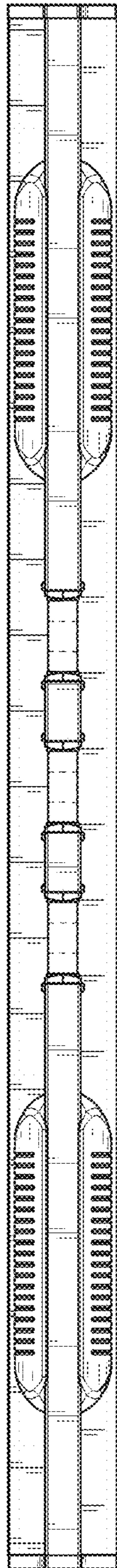


FIG. 6

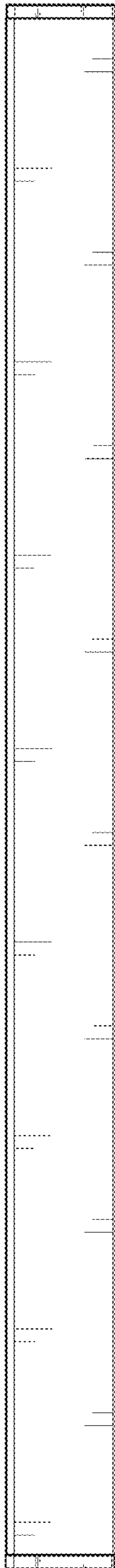


FIG. 7

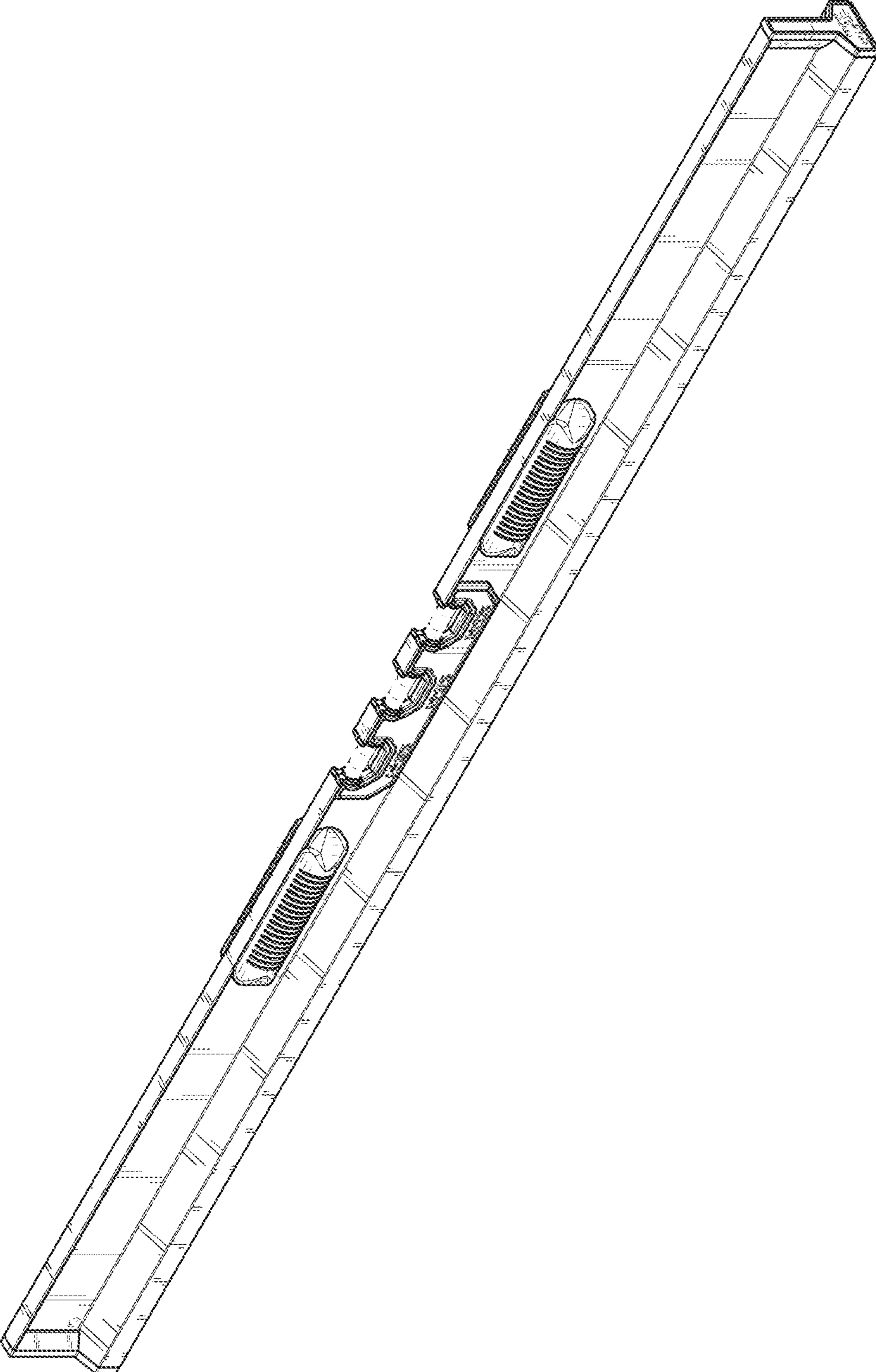


FIG. 8

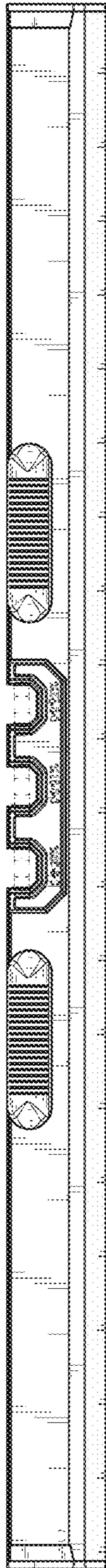


FIG. 9

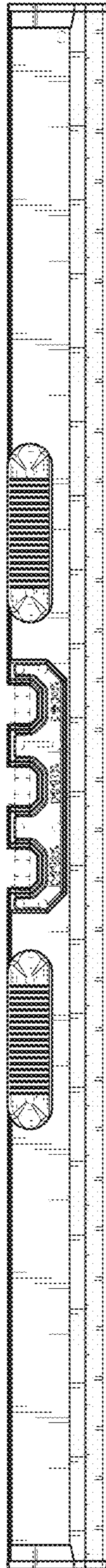


FIG. 10

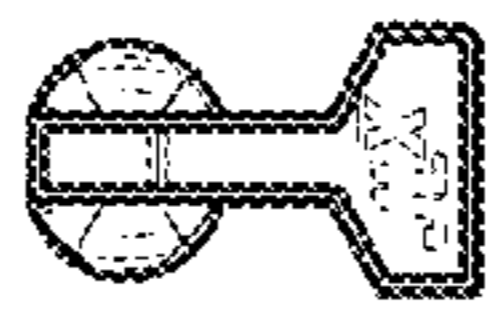


FIG. 11

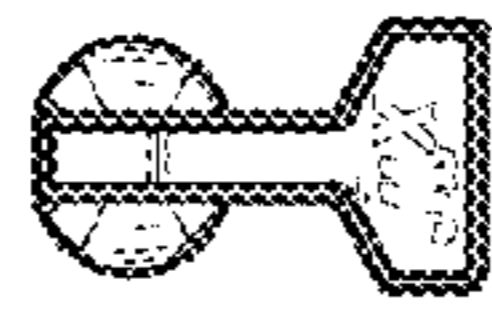


FIG. 12



FIG. 13



FIG. 14