

US00D944102S

(12) **United States Design Patent** (10) **Patent No.:** **US D944,102 S**
Trudnak et al. (45) **Date of Patent:** **** Feb. 22, 2022**

(54) **ILLUMINATED CONTROLLER INDICATOR**

D761,297 S 7/2016 Eder
D769,231 S * 10/2016 Kwak D14/242
D802,450 S * 11/2017 Boynton D10/50
(Continued)

(71) Applicants: **Robert Trudnak**, Lansdale, PA (US);
Eric Fulmer, Collegetown, PA (US)

(72) Inventors: **Robert Trudnak**, Lansdale, PA (US);
Eric Fulmer, Collegetown, PA (US)

(**) Term: **15 Years**

FOREIGN PATENT DOCUMENTS

CN 305551192 * 3/2019
CN 305432636 * 5/2019
(Continued)

(21) Appl. No.: **29/725,951**

(22) Filed: **Mar. 10, 2020**

(51) **LOC (13) Cl.** **10-04**

(52) **U.S. Cl.**
USPC **D10/49**

(58) **Field of Classification Search**

USPC D10/49-56, 81, 103, 106.95, 106.1,
D10/104.1; D13/168; D14/218, 138 G
CPC G08B 5/36; G08B 21/182; G08B 25/14;
G08B 17/00; G08B 3/00; G08B 3/10;
H05K 1/181; H05K 5/0017; H05K
2201/10106; H05K 2201/10128; H05K
7/1401; H05K 7/14; F24F 11/30; F24F
11/523; F24F 11/49; F24F 2110/10; F24F
11/88; G05D 23/19; H02G 3/10; H02G
3/14; B60H 1/00364; B60H 1/00771;
B60H 1/00964; A62C 37/36; H04M
19/04; H04M 11/025; H04M 1/0291;
H04M 11/02

See application file for complete search history.

OTHER PUBLICATIONS

A AIMILAR Store, Digital Tach Hour Meter Tachometer, Date first available Jun. 11, 2019, [online] retrieved Aug. 5, 2021, available from https://www.amazon.com/AIMILAR-Digital-Tach-Meter-Tachometer/dp/B07T13MHRM/ref=pd_pb_ss_no_hpb_2/134-5564337-2927451?pd_rd_w=8k (Year: 2019).*

(Continued)

Primary Examiner — Keli L Hill
Assistant Examiner — Sara S Sahneh
(74) *Attorney, Agent, or Firm* — Cusick IP, PLLC;
Clinton J. Cusick, Esq.

(57) **CLAIM**

The ornamental design for an illuminated controller indicator, as shown.

DESCRIPTION

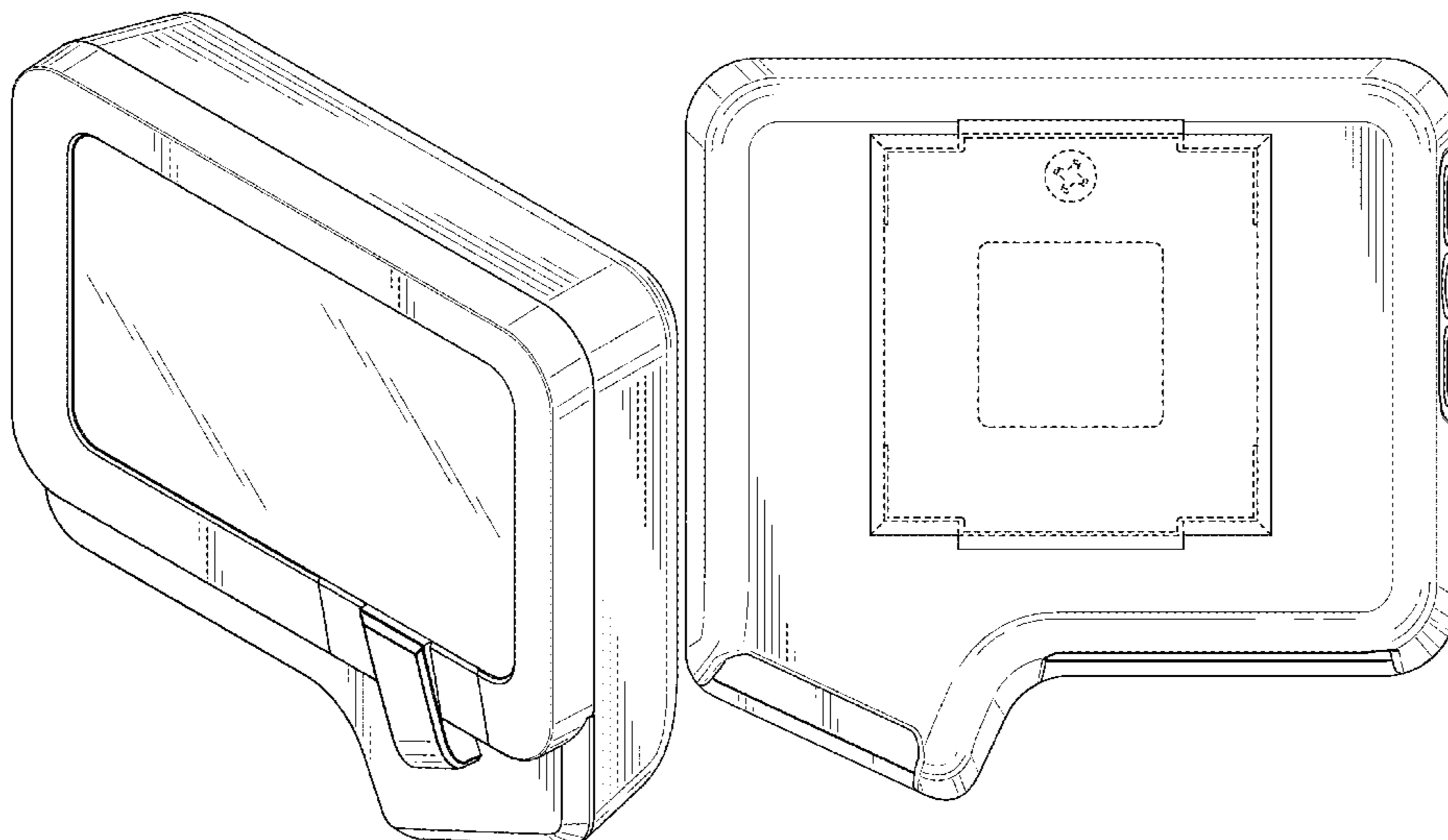
FIG. 1 is a perspective view of our new design of an illuminated controller indicator;
FIG. 2 is a front elevation view thereof;
FIG. 3 is a right-side elevation view thereof;
FIG. 4 is a rear elevation view thereof;
FIG. 5 is a left-side elevation view thereof;
FIG. 6 is a top plan view thereof; and,
FIG. 7 is a bottom plan view thereof.
The broken lines are shown for the purpose of illustrating portions of the illuminated controller indicator and form no part of the claimed design.

(56) **References Cited**

U.S. PATENT DOCUMENTS

5,876,106 A * 3/1999 Kordecki G01D 5/165
362/23.18
7,554,060 B2 7/2009 England
D621,848 S 8/2010 Ording
D718,722 S * 12/2014 Asher D13/168
D724,979 S * 3/2015 Hurzook D10/81
D735,700 S * 8/2015 Davis D14/240
D745,046 S 12/2015 Shin et al.

1 Claim, 6 Drawing Sheets



(56)

References Cited

U.S. PATENT DOCUMENTS

10,067,004	B1	9/2018	Allen	
10,339,783	B2	7/2019	Allen, Sr.	
D884,493	S *	5/2020	Erbacher	D10/49
D913,816	S *	3/2021	Fu	D10/49
D917,439	S *	4/2021	Mochizuki	D14/240
2009/0174840	A1 *	7/2009	Lee	H05K 1/142 349/67
2009/0190330	A1 *	7/2009	Kim	G02F 1/133603 362/97.2
2018/0005509	A1	1/2018	Allen, Sr.	
2018/0372555	A1	12/2018	Allen, Sr.	
2020/0309703	A1 *	10/2020	Luk	A61L 2/24

FOREIGN PATENT DOCUMENTS

CN	305686688	*	4/2020
CN	306313890	*	8/2020
CN	306529977	*	12/2020

OTHER PUBLICATIONS

BBTO,Pieces Inductive Hour Meters Digital Engine Meter,Date first available Oct. 29, 2020, [online]retrieved Aug. 5, 2021,available from https://www.amazon.com/dp/B08M5P21Q6/ref=sspa_dk_detail_4?psc=1&pd_rd_i=B08M5P21Q6&pd_rd_w=EDS1C&pf_rd_p=9fd3ea7c-b77c-42 (Year: 2020).*

Jayron, Digital LCD Tachometer Inductive,Date first available Dec. 16, 2020, [online]retrieved Aug. 5, 2021,available from https://www.amazon.com/dp/B08QS2YSVX/ref=sspa_dk_detail_3?psc=1&pd_rd_i=B08QS2YSVX&pd_rd_w=y8ikl&pf_rd_p=9fd3ea7c-b77c-42ac-b43 (Year: 2020).*

Runleader Store,Digital Maintenance Hour Meter,Date first available Nov. 4, 2019, [online]retrieved Aug. 5, 2021,available from https://www.amazon.com/Runleader-Tachometer-Maintenance-Replaceable-Button-Black/dp/B0811CBCCH/ref=sr_1_3?dchild=1&keywords=Digital+. . . (Year: 2019).*

* cited by examiner

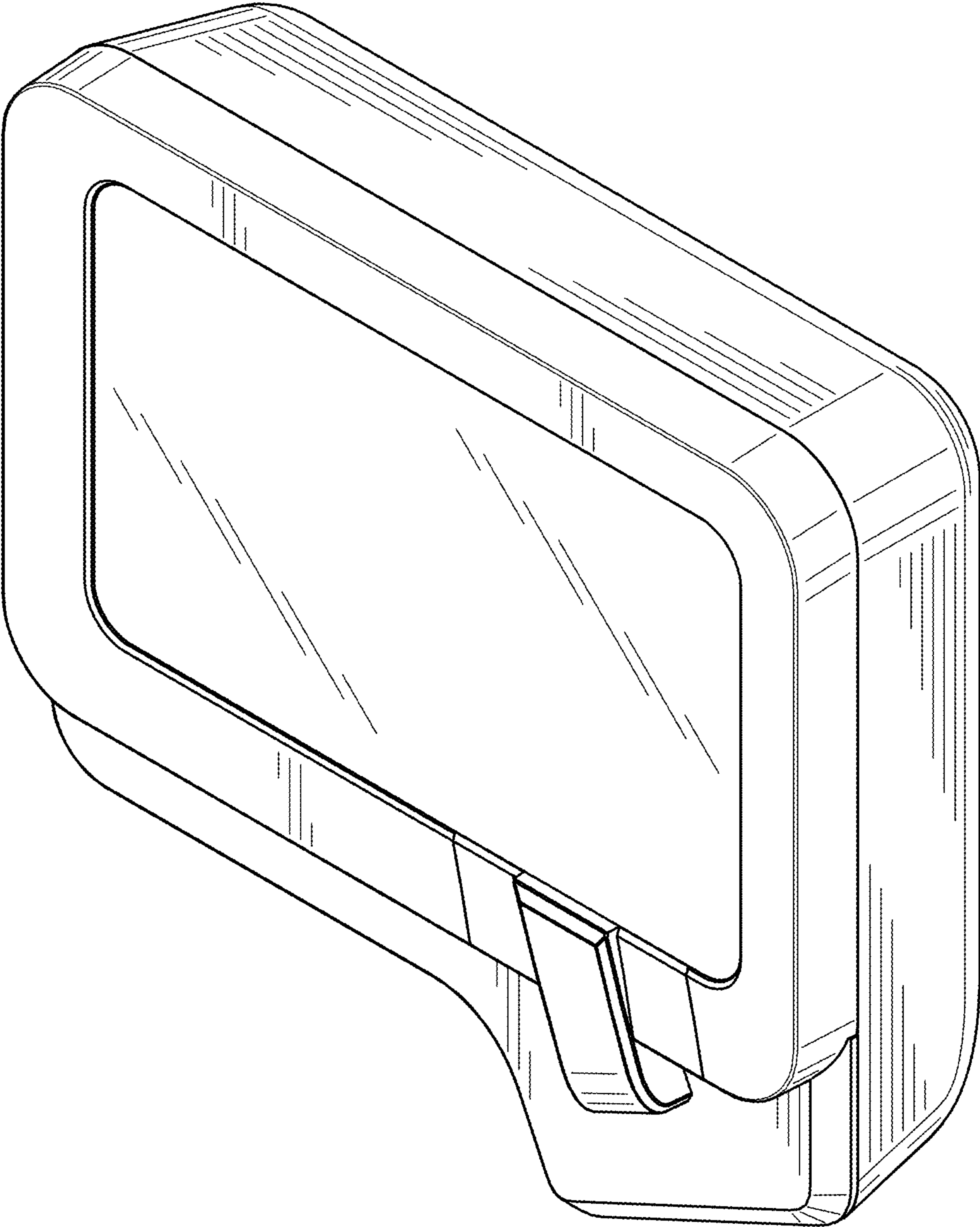


FIG. 1

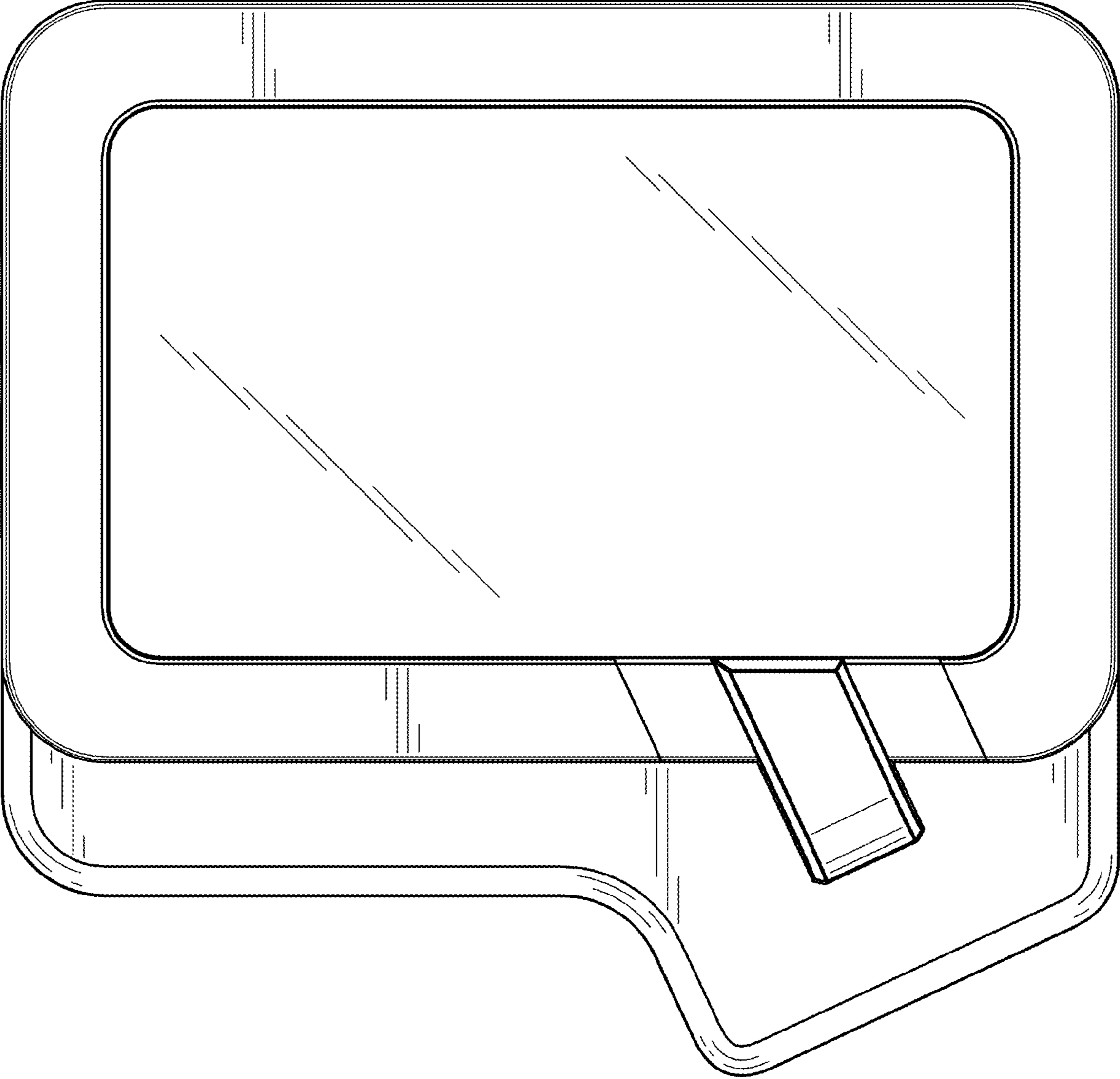


FIG. 2

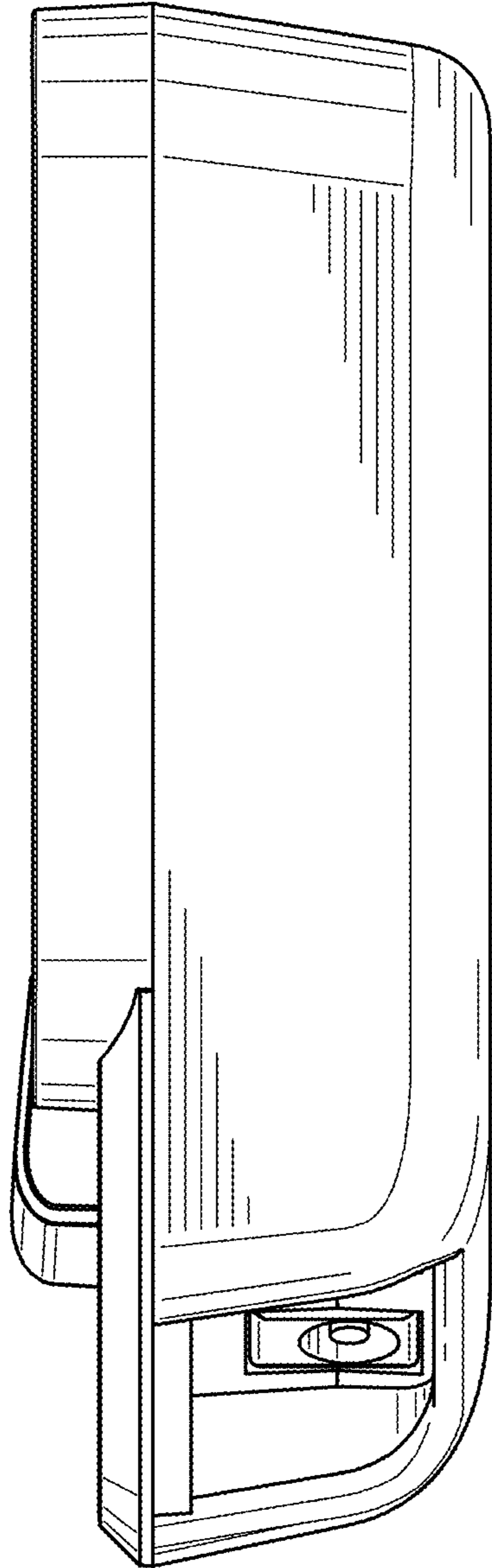


FIG. 3

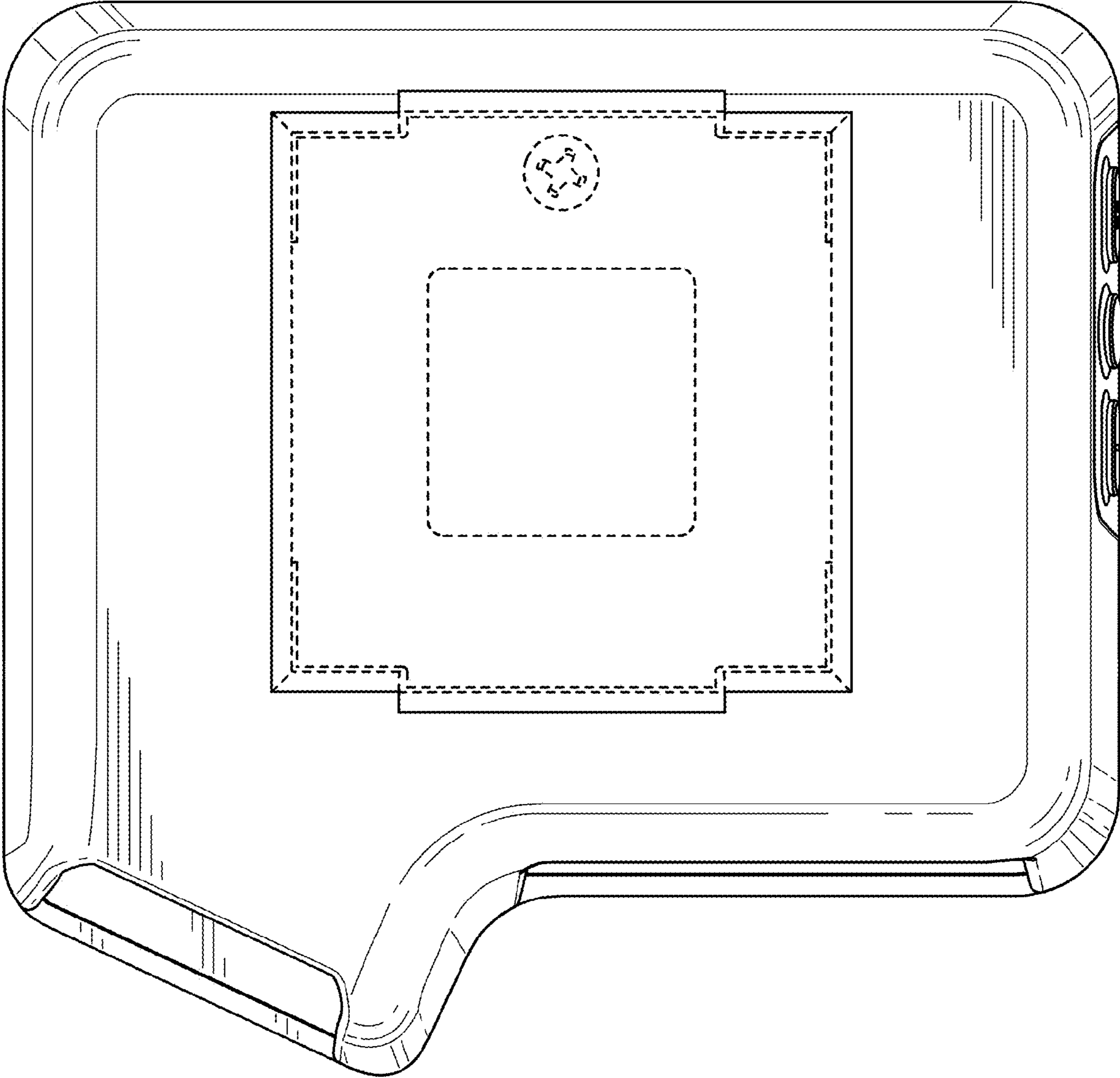


FIG. 4

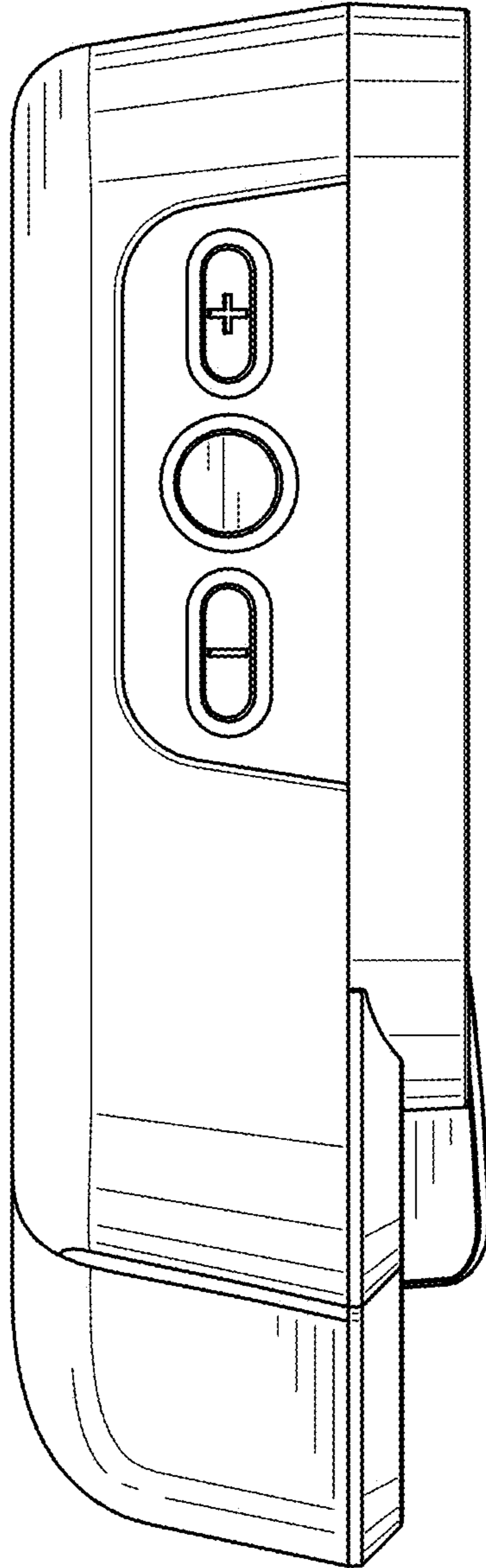


FIG. 5

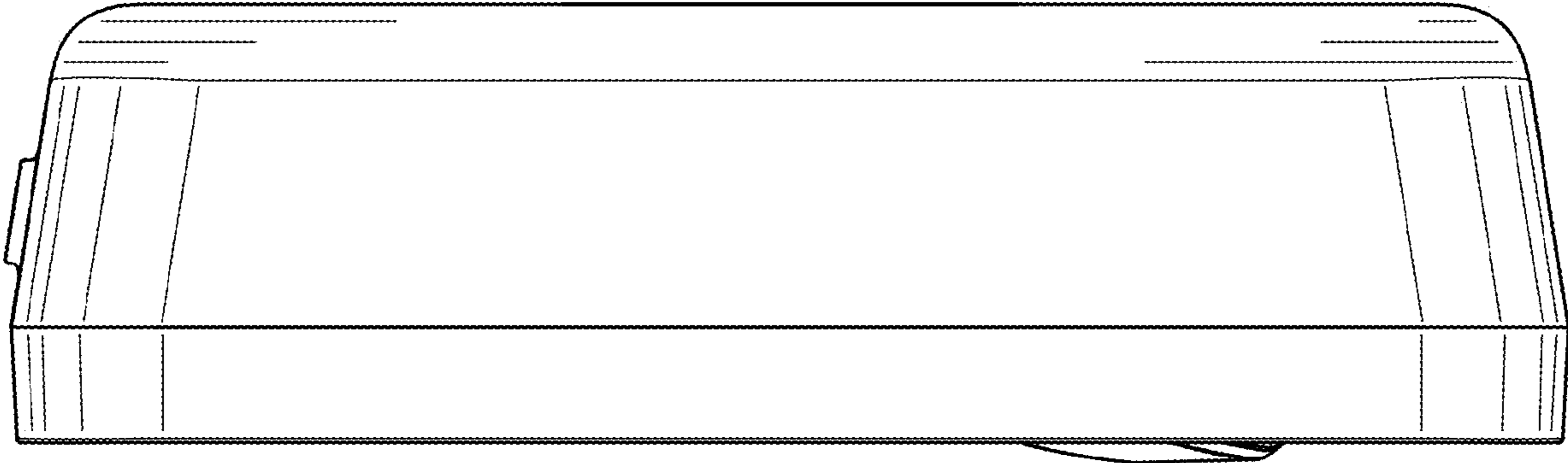


FIG. 6

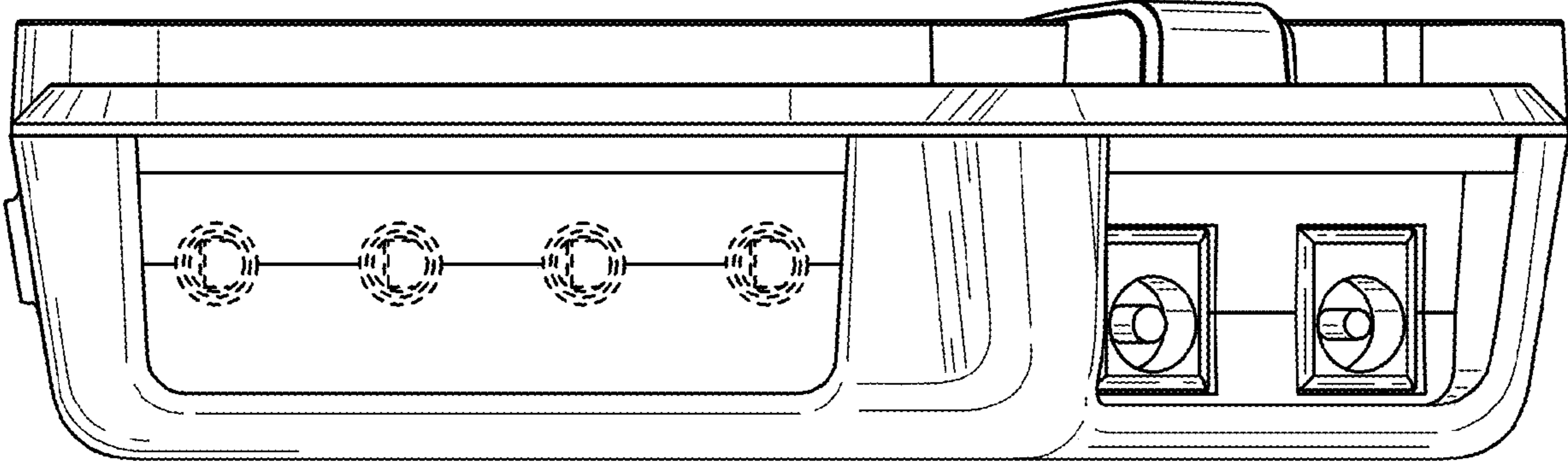


FIG. 7