



US00D944099S

(12) **United States Design Patent** (10) **Patent No.:** **US D944,099 S**
Nussbaumer (45) **Date of Patent:** **** Feb. 22, 2022**

(54) **WRIST WATCH**

(71) Applicant: **Swarovski Aktiengesellschaft**, Triesen (LI)

(72) Inventor: **Nicolas Barth Nussbaumer**, Neuchatel (CH)

(73) Assignee: **SWAROVSKI AKTIENGESELLSCHAFT**, Triesen (LI)

(**) Term: **15 Years**

(21) Appl. No.: **29/687,880**

(22) Filed: **Apr. 16, 2019**

(30) **Foreign Application Priority Data**

Nov. 23, 2018 (LI) 2018-975

(51) **LOC (13) Cl.** **10-02**

(52) **U.S. Cl.**
USPC **D10/32**

(58) **Field of Classification Search**

USPC ... D10/30-39, 121-124, 126, 128, 131-132;
D11/2-7, 14, 16-17, 79-84, 93-94
CPC G04B 19/00; G04B 19/04; G04B 19/10;
G04B 19/103; G04B 19/106; G04B
19/12; G04B 19/223; G04B 19/283;
G04B 37/00; G04B 37/005; G04B
37/0041; G04B 39/002; G04B 39/004;
G04B 39/006; G04B 45/0069; G04B
45/0076; G04B 37/1486; G04B 19/085;
G04G 19/06; A44C 5/00; A44C 5/0007;
A44C 5/0053; A44C 5/0084; A44C 5/12;
A44C 5/14; A44C 5/00147

See application file for complete search history.

(56) **References Cited**

U.S. PATENT DOCUMENTS

D79,166 S * 8/1929 Roth D10/39
2,229,978 A * 1/1941 Kolberg G04B 37/14
224/152

D250,749 S * 1/1979 Perrin D10/39
D297,216 S * 8/1988 Beuchat D10/33
D310,335 S * 9/1990 Wunderman D10/32
D321,664 S * 11/1991 Kennedy D10/30
D391,873 S * 3/1998 Perrin D10/30
D504,332 S * 4/2005 Chodat D10/39
7,559,688 B2 * 7/2009 Robert-Nicoud ... G04B 19/283
368/294
D613,622 S * 4/2010 Chastaingt D10/39
D618,575 S * 6/2010 Duport D10/126
D622,174 S * 8/2010 Deruelles D11/82

(Continued)

Primary Examiner — Katherine Glennon

(74) *Attorney, Agent, or Firm* — Baker & McKenzie

(57) **CLAIM**

The ornamental design for a wrist watch, as shown and described.

DESCRIPTION

FIG. 1 is a perspective view of a wrist watch in accordance with my design;

FIG. 2 is a top view of a wrist watch in accordance with my design;

FIG. 3 is a bottom view of a wrist watch in accordance with my design;

FIG. 4 is a left view of a wrist watch in accordance with my design;

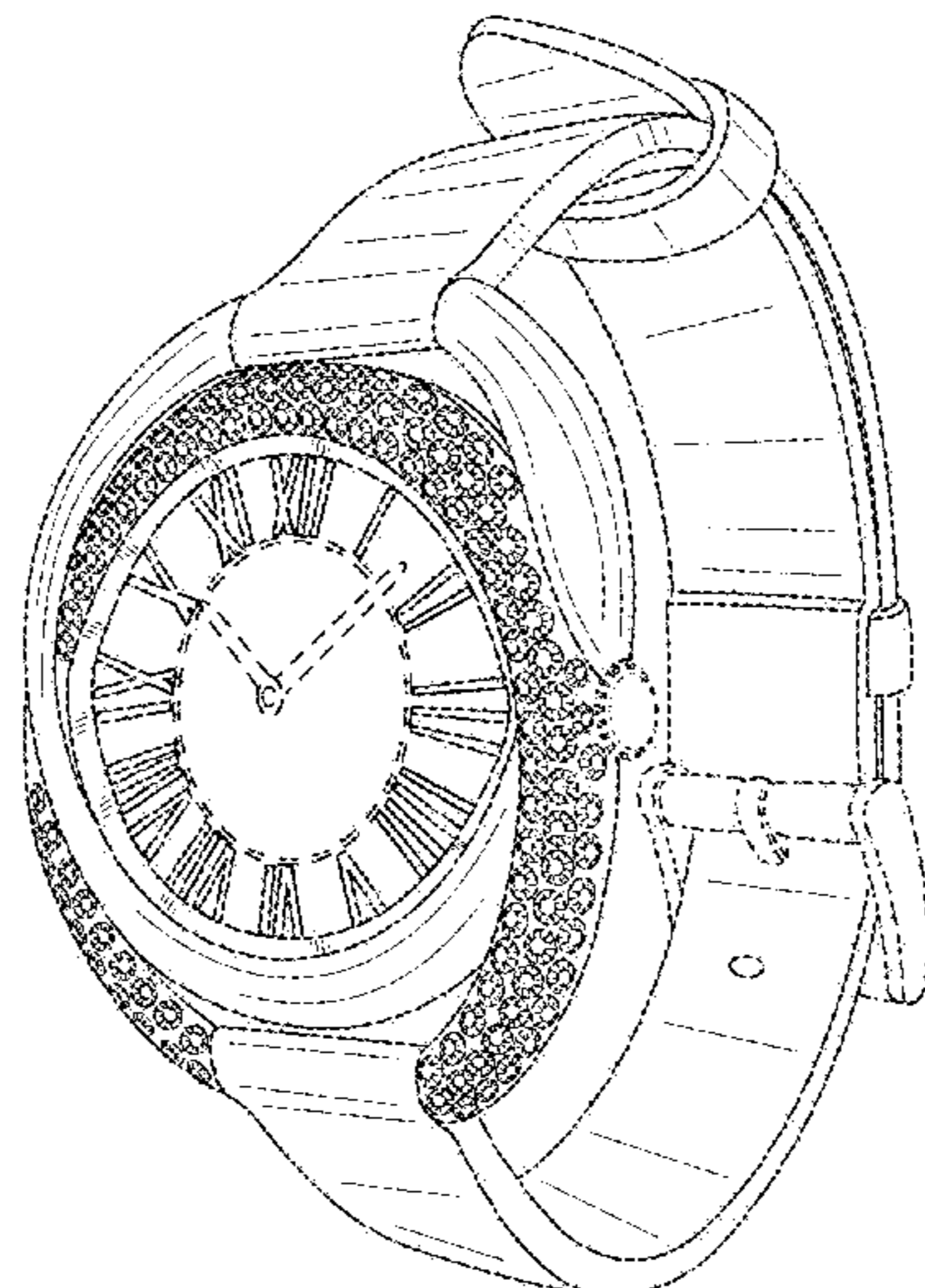
FIG. 5 is a right view of a wrist watch in accordance with my design;

FIG. 6 is a front elevational view of a wrist watch in accordance with my design; and,

FIG. 7 is a back elevational view of a wrist watch in accordance with my design.

The dashed broken lines show portions of the wrist watch that form no part of the claimed design. The dash-dot broken lines define the bounds of the claimed design and form no part thereof.

1 Claim, 7 Drawing Sheets



(56)

References Cited

U.S. PATENT DOCUMENTS

D650,705 S	*	12/2011	Blank	D10/32
D670,575 S	*	11/2012	Giannini	D10/32
D697,435 S	*	1/2014	Duport	D10/39
D716,154 S	*	10/2014	Harada	D10/32
D717,180 S	*	11/2014	Giannini	D10/32
D746,157 S	*	12/2015	Babcock	D10/30
D755,643 S	*	5/2016	Giannini	D10/32
D759,505 S	*	6/2016	Harada	D10/32
D769,146 S	*	10/2016	Firth	D10/128
D781,171 S	*	3/2017	Akana	D11/3
D811,921 S	*	3/2018	Rabassa	D10/132
D854,945 S	*	7/2019	Dumas	D10/32
D858,313 S	*	9/2019	Berneron	D10/30
D858,315 S	*	9/2019	Monachon	D10/39
D861,504 S	*	10/2019	Nashimoto	D10/32
D891,944 S	*	8/2020	Stern	D10/38
D902,744 S	*	11/2020	Cazzola	D10/32
D931,115 S	*	9/2021	Nashimoto	D10/32
D931,739 S	*	9/2021	Duport	D10/32

* cited by examiner

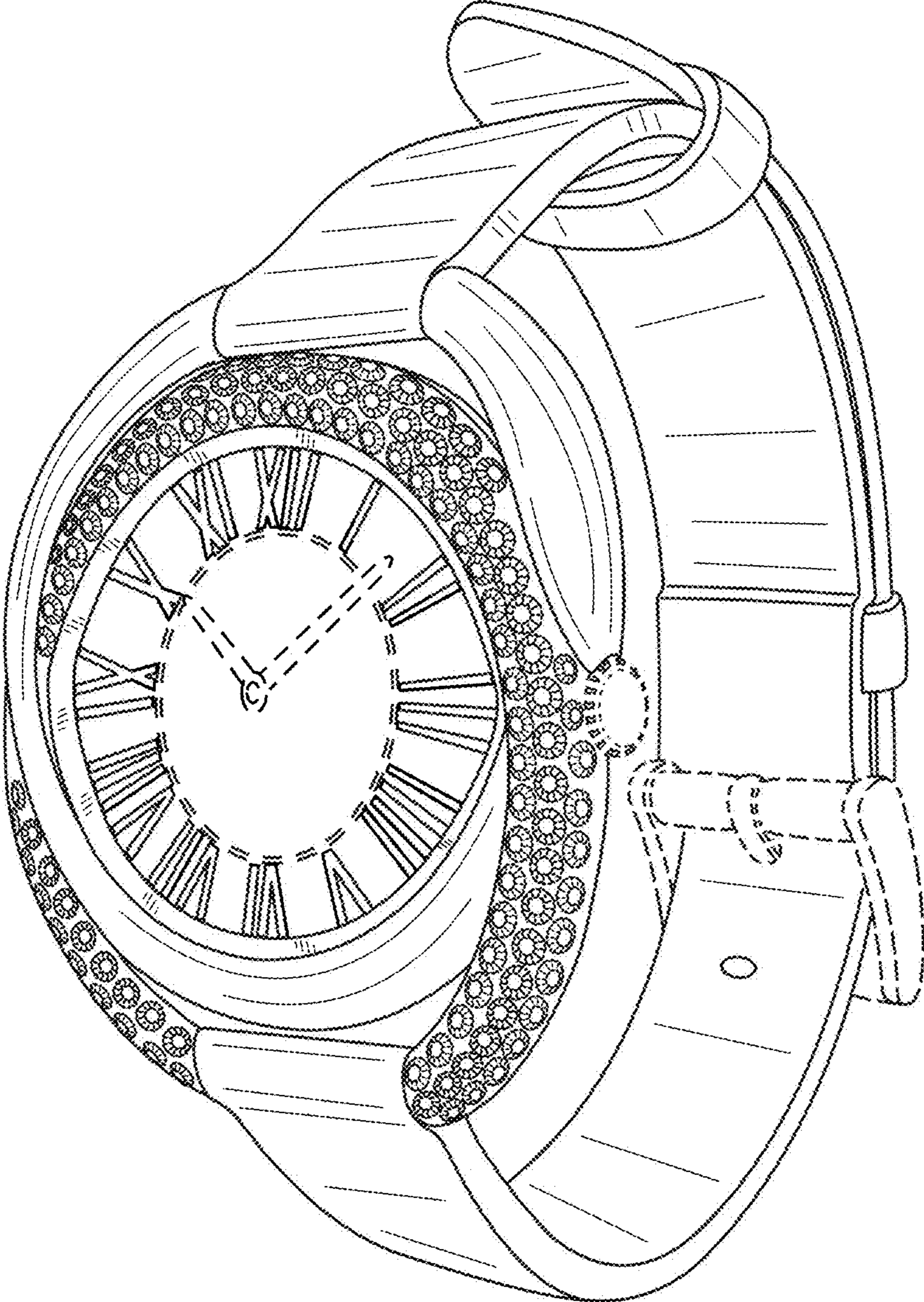


FIG. 1

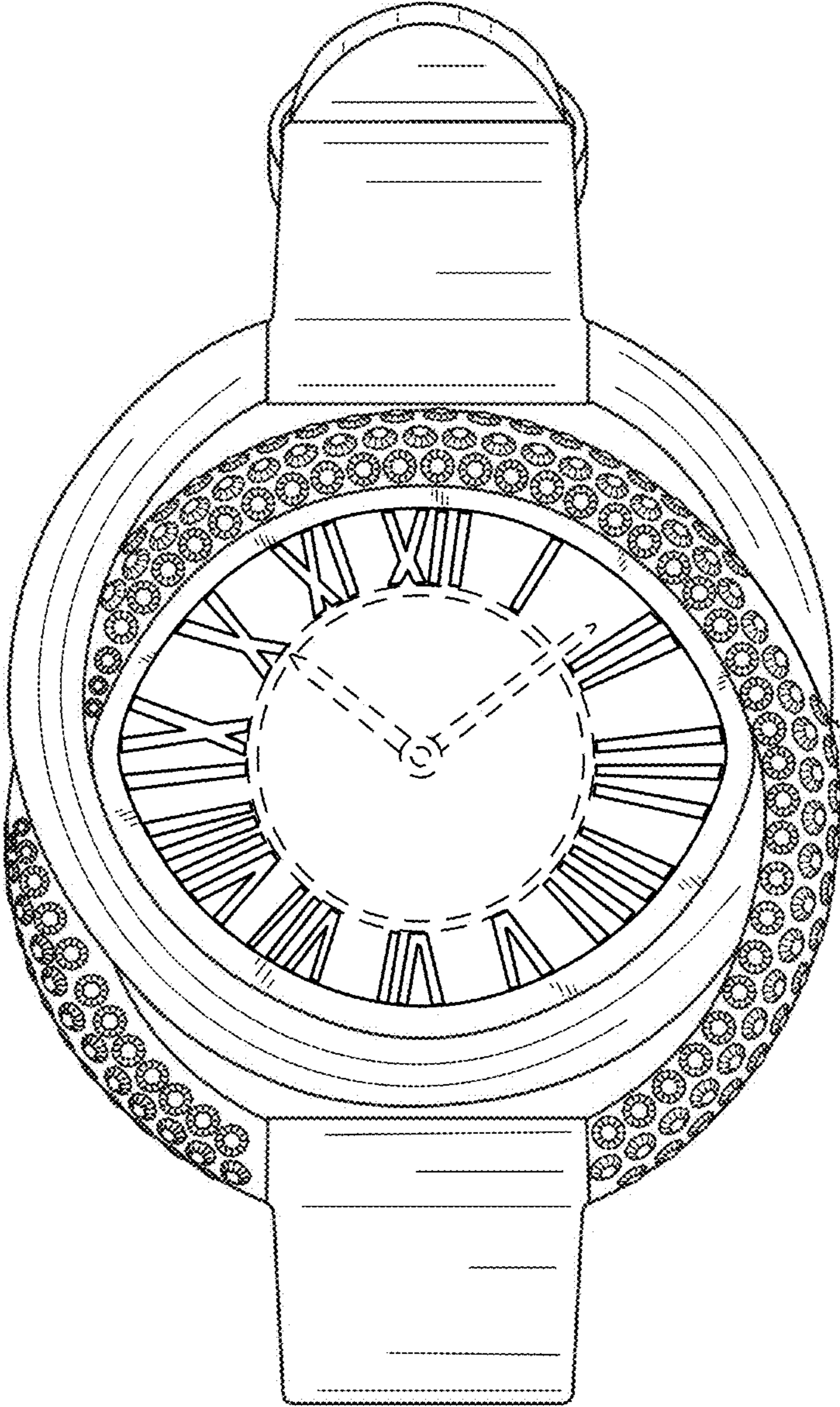


FIG. 2

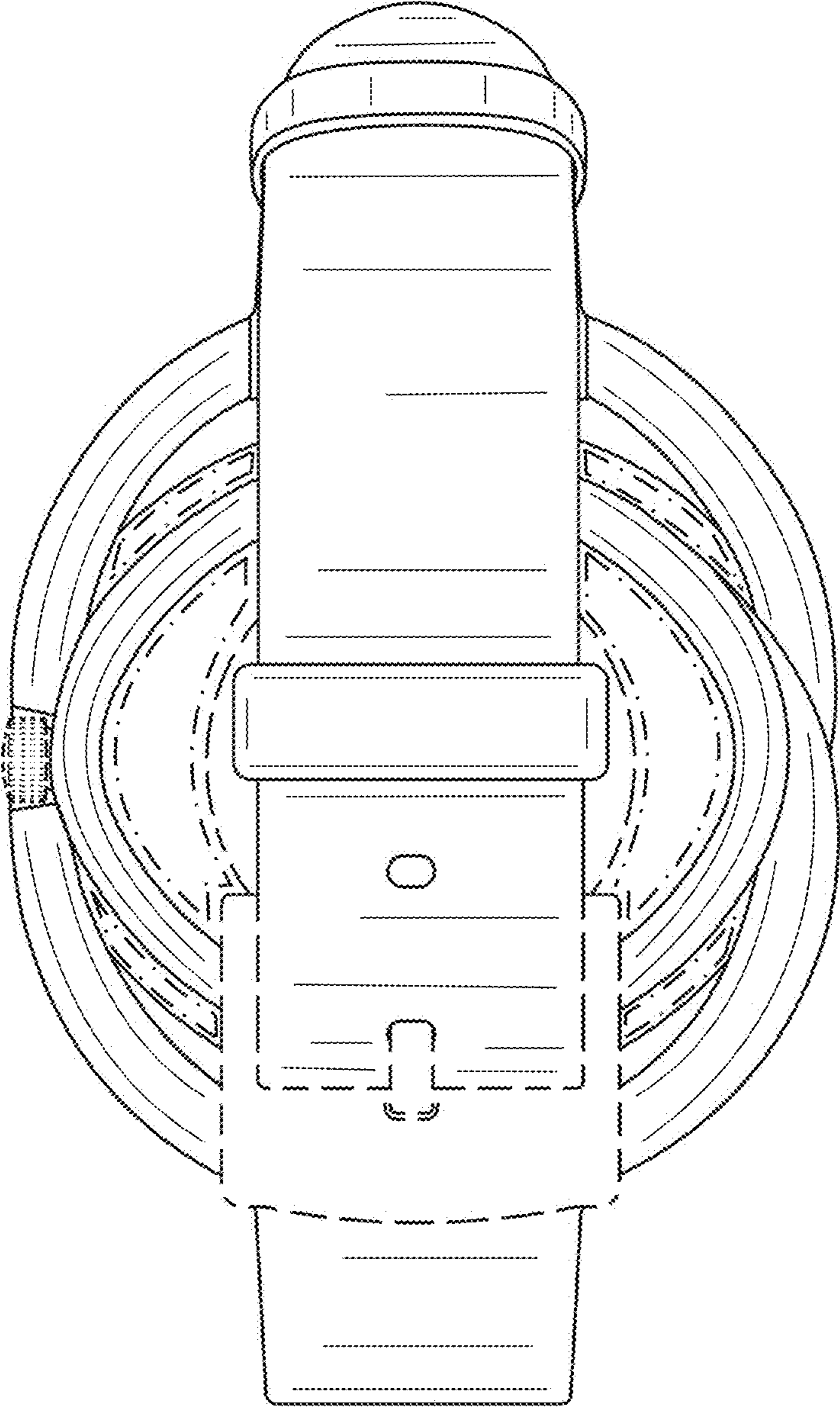


FIG. 3

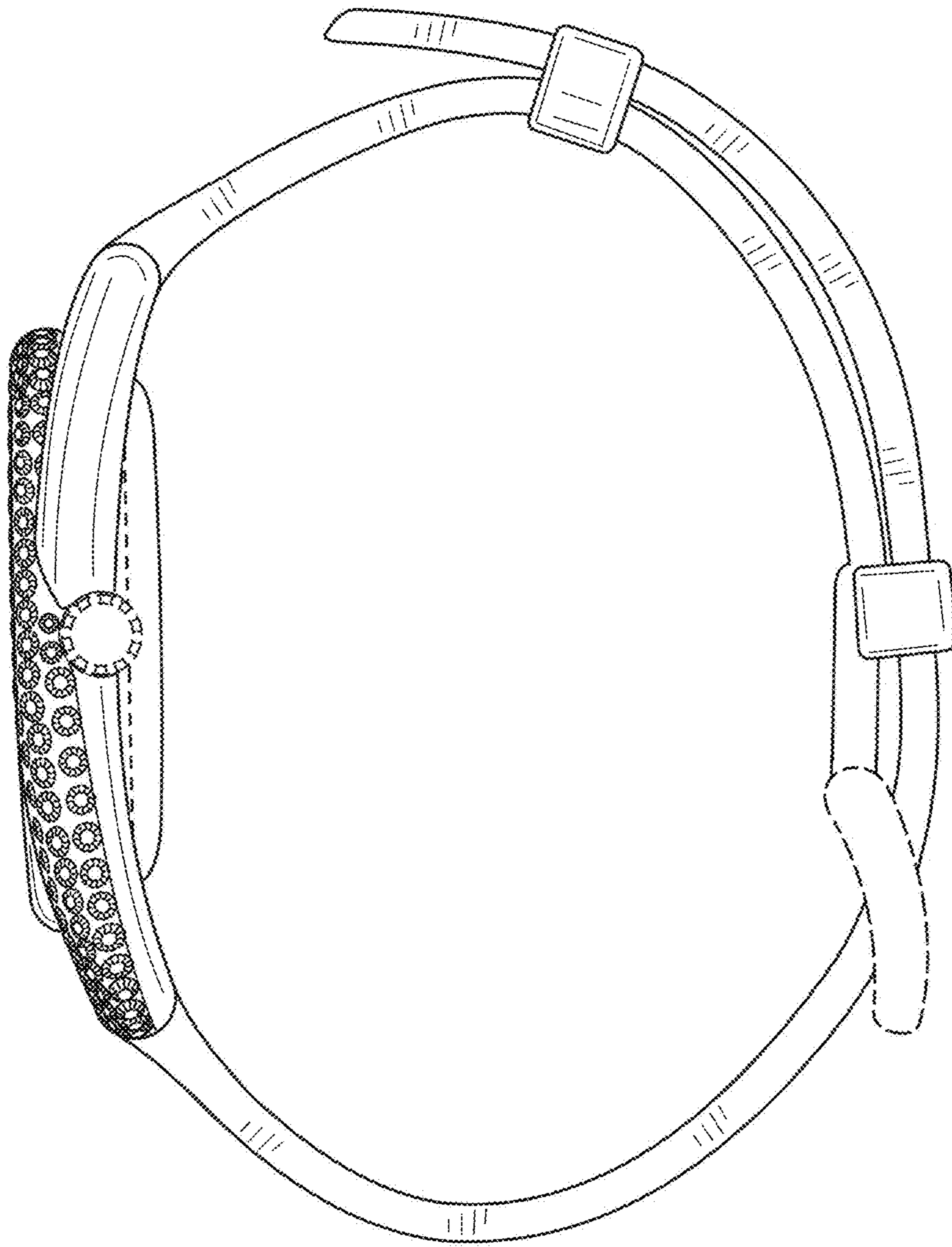


FIG. 4

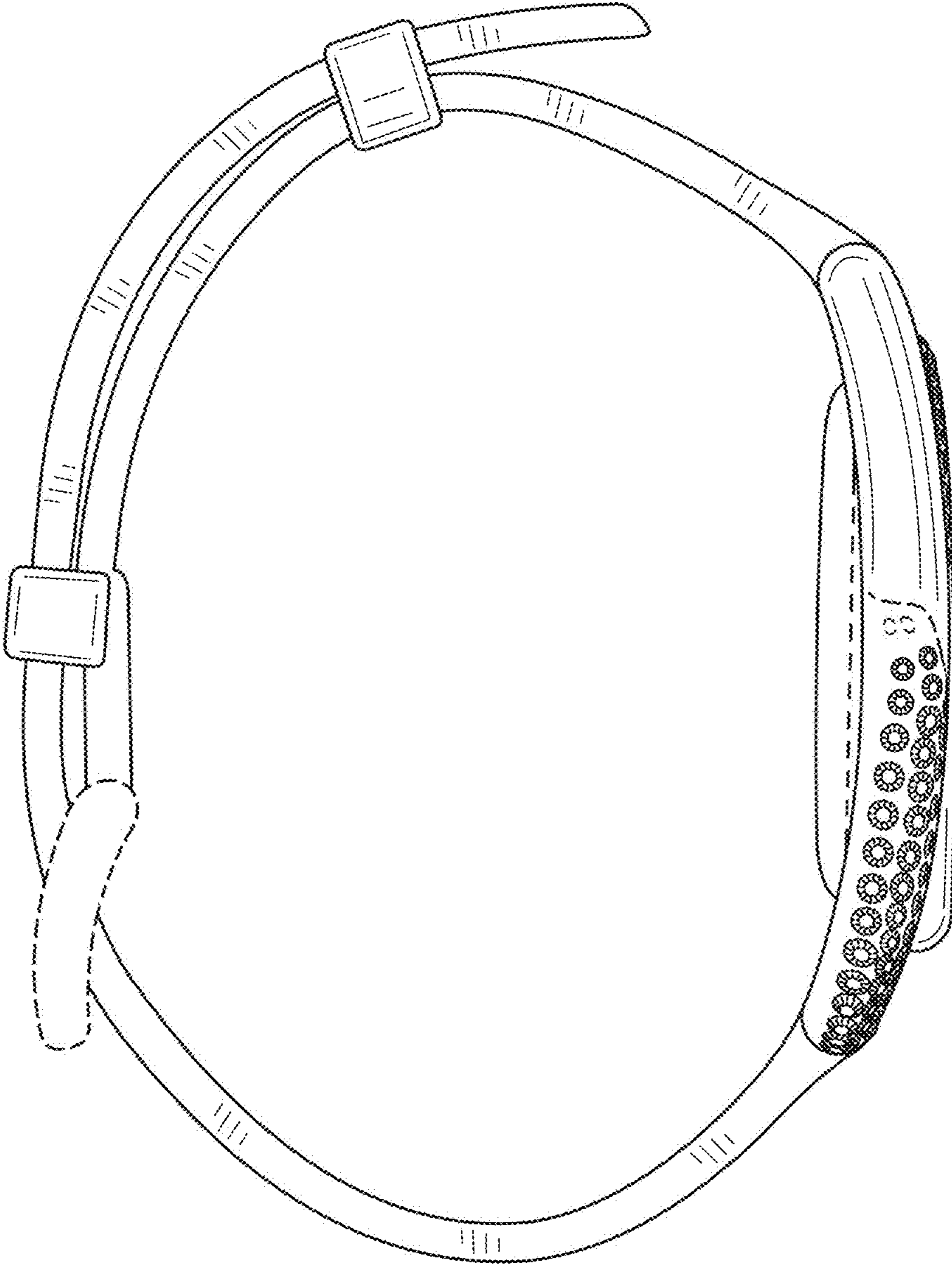


FIG. 5

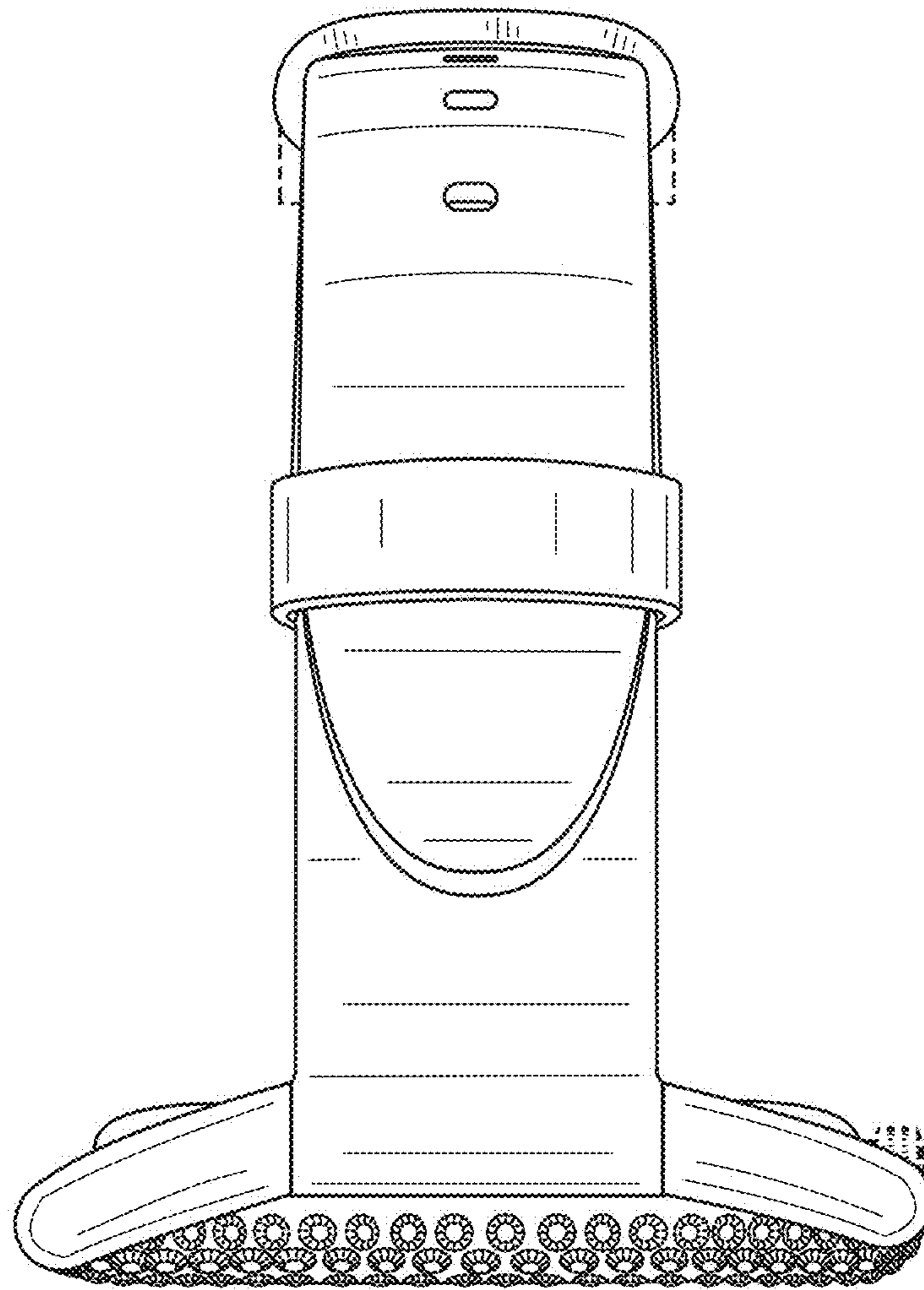


FIG. 6

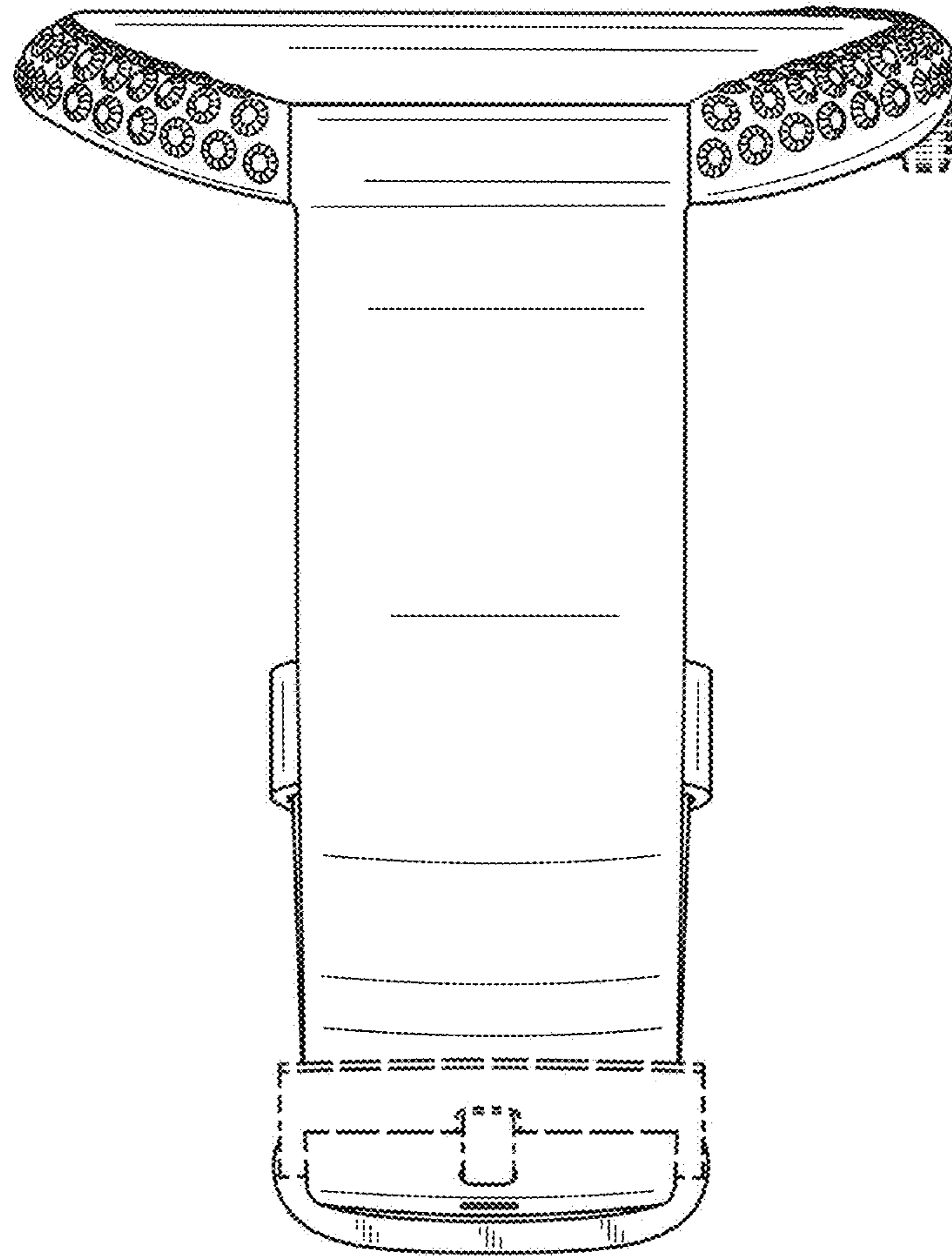


FIG. 7