

US00D944098S

(12) **United States Design Patent** (10) **Patent No.:** **US D944,098 S**
Nielsen et al. (45) **Date of Patent:** **** Feb. 22, 2022**

(54) **PACKAGE CONTAINING A DEBRIDEMENT SPONGE**

(71) Applicant: **Coloplast A/S**, Humlebaek (DK)
(72) Inventors: **Jesper Sejer Nielsen**, Kvistgaard (DK);
Katrine Thordal-Christensen,
Copenhagen (DK)

(73) Assignee: **Coloplast A/S**, Humlebaek (DK)

(**) Term: **15 Years**

(21) Appl. No.: **29/664,049**

(22) Filed: **Sep. 21, 2018**

Related U.S. Application Data

(63) Continuation-in-part of application No. 29/639,316,
filed on Mar. 6, 2018, now Pat. No. Des. 923,777.

(30) **Foreign Application Priority Data**

Sep. 20, 2017 (EM) 001461883
Sep. 20, 2017 (EM) 001461891
Sep. 20, 2017 (EM) 001461909
Sep. 20, 2017 (EM) 004364016

(51) **LOC (13) Cl.** **09-01**

(52) **U.S. Cl.**

USPC **D9/721**; D24/124

(58) **Field of Classification Search**

USPC D9/415, 416, 430, 737, 715, 721;
D24/119, 124
CPC .. B65D 65/40; B65D 75/527; B65D 75/5855;
B65D 75/36; B65D 81/22; B65D 77/02;
B65D 75/326; A61B 50/30; A61B
2050/375; A61B 1/00142; A61B
2050/0065

See application file for complete search history.

(56) **References Cited**

U.S. PATENT DOCUMENTS

3,061,087 A * 10/1962 Scrivens A61F 15/001
206/439
3,707,012 A 12/1972 Lane
4,055,029 A 10/1977 Kalbow

(Continued)

FOREIGN PATENT DOCUMENTS

EP 0552933 A1 7/1993
EP 1310226 A2 5/2003

(Continued)

OTHER PUBLICATIONS

Meads et al. "The Debrisoft® Monofilament Debridement Pad for Use in Acute or Chronic Wounds: A NICE Medical Technology Guidance", Applied Health Economics and Health Policy, Dec. 1, 2015 vol. 13, No. 6, pp. 583-594.

Primary Examiner — Lauren R Calve

(74) *Attorney, Agent, or Firm* — Coloplast Corp.,
Coloplast A/S; Nick Baumann

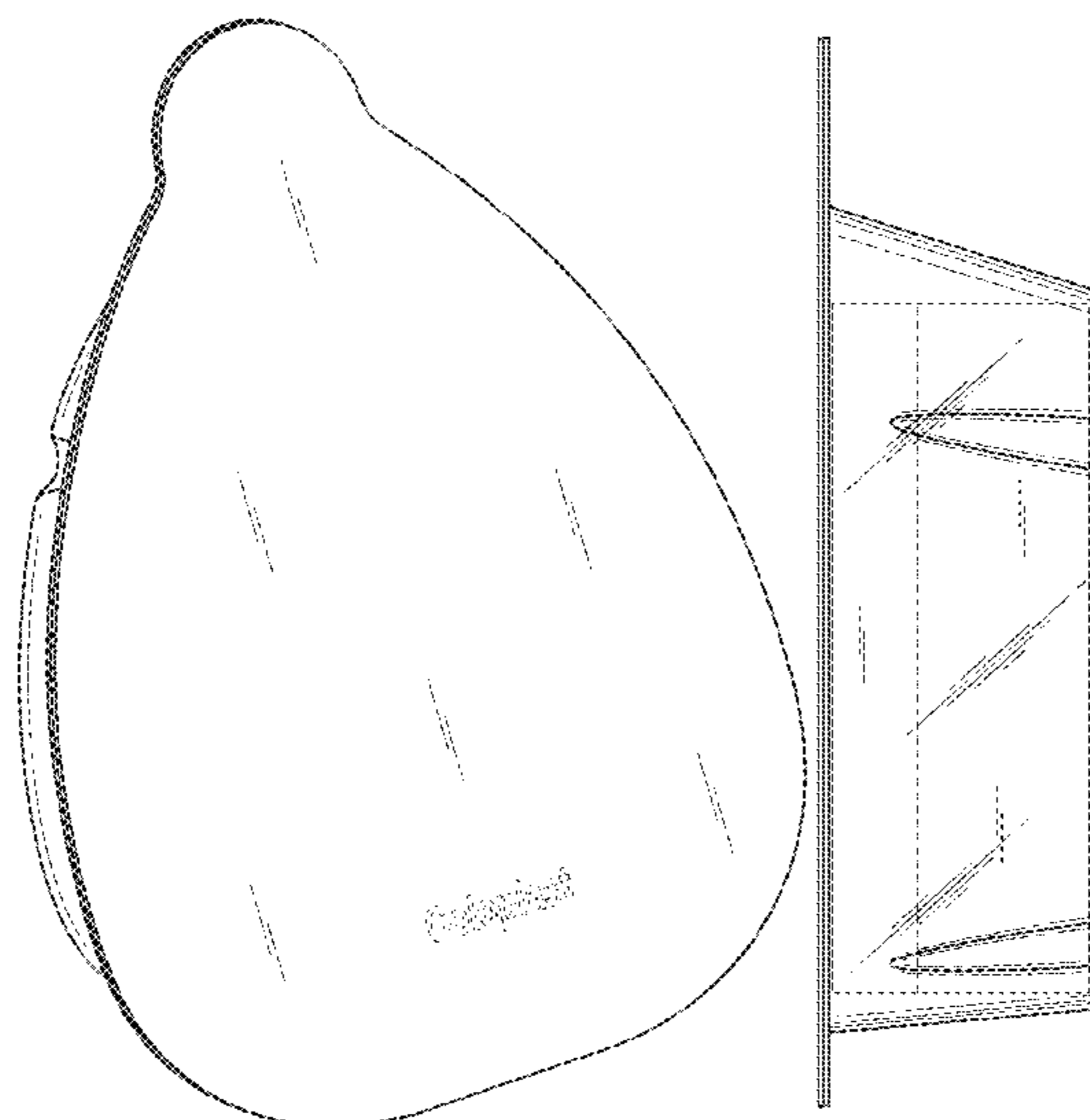
(57) **CLAIM**

The ornamental design for a package containing a debridement sponge, as shown and described.

DESCRIPTION

FIG. 1 is a perspective view of a package containing a debridement sponge;
FIG. 2 is a front elevation view of FIG. 1;
FIG. 3 is a back elevation view of FIG. 1;
FIG. 4 is a right side elevation view of FIG. 1, where a left side elevation view is not provided as it is a mirror image of the right side elevation view;
FIG. 5 is a bottom plan view of FIG. 1; and,
FIG. 6 is a top plan view of FIG. 1.
The broken lines in FIGS. 1-6 form no part of the claimed design.

1 Claim, 6 Drawing Sheets



(56)

References Cited

U.S. PATENT DOCUMENTS

4,111,666	A	9/1978	Kalbow	
6,574,825	B1	6/2003	Boldy	
D507,740	S *	7/2005	Ruiz	D9/425
D513,704	S *	1/2006	Bukowski	D9/715
D520,185	S *	5/2006	Zeng	D24/101
D585,735	S *	2/2009	Vovan	D9/416
D679,586	S *	4/2013	Afford	D9/425
D747,187	S *	1/2016	Cochran	D9/416
D764,270	S *	8/2016	Paton	D9/416
D817,756	S *	5/2018	Montarras	D9/424
D818,819	S *	5/2018	Buck	D9/416
D865,510	S *	11/2019	Mathias	D9/416
D874,918	S *	2/2020	Lemcke	D9/416
D918,661	S *	5/2021	Parnell	D7/551.1
2004/0092895	A1	5/2004	Harmon	
2011/0214398	A1 *	9/2011	Liburd	A01N 1/0263 53/467
2012/0312823	A1 *	12/2012	Wilmers	B65D 75/326 220/600
2019/0274809	A1 *	9/2019	Kapec	B65D 75/326

FOREIGN PATENT DOCUMENTS

EP	2985013	A2	2/2016
GB	2429157	A	2/2007
GB	2480503	A	11/2011
JP	2000014591	A	1/2000
JP	2000041928	A	2/2000
JP	2004275687	A	10/2004
JP	2005199001	A	7/2005
WO	9826657	A1	6/1998
WO	2015169637	A1	11/2015
WO	2017019868	A1	2/2017

* cited by examiner



Fig. 1

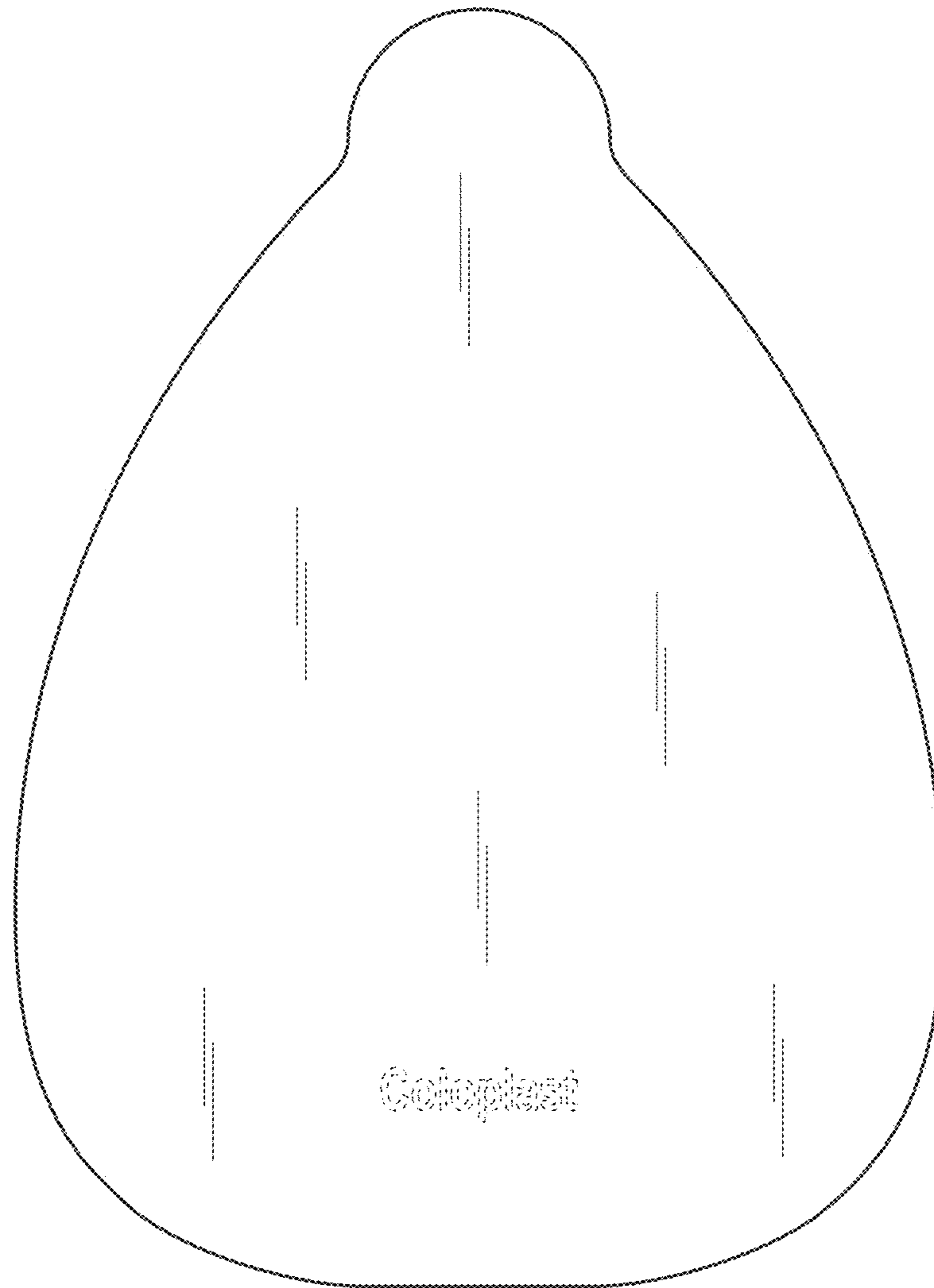


Fig. 2

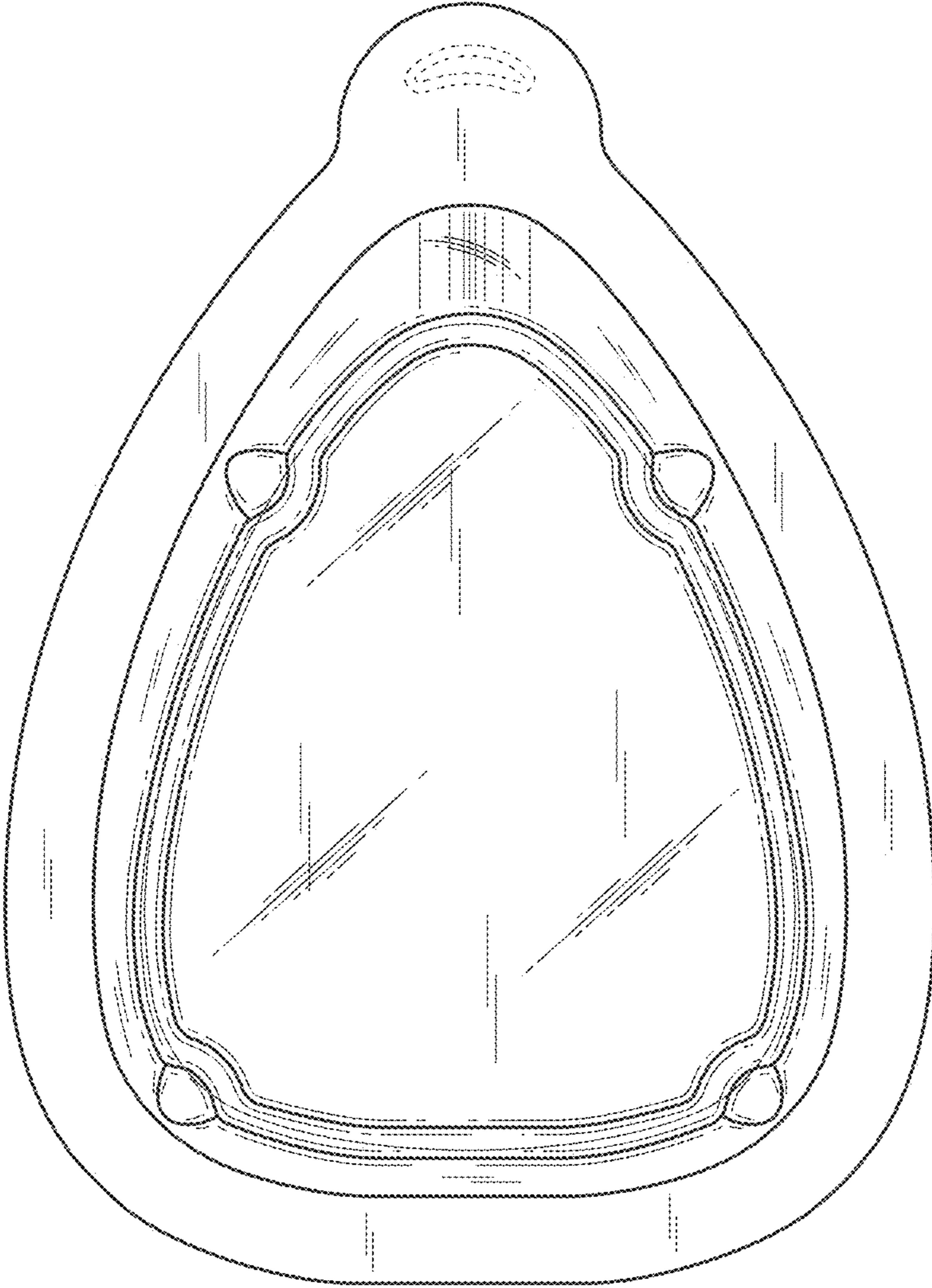


Fig. 3

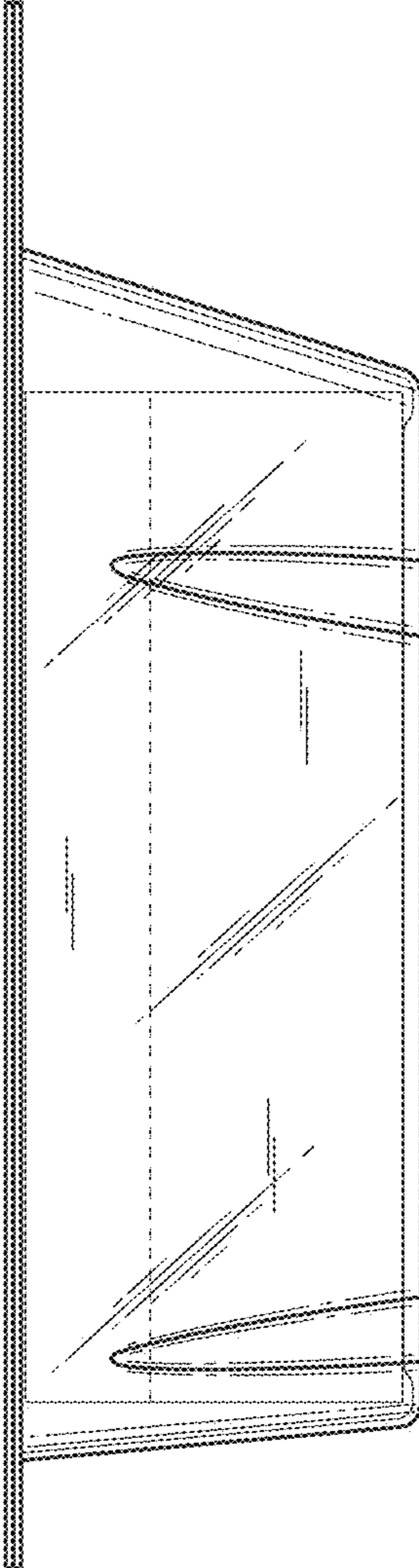


Fig. 4

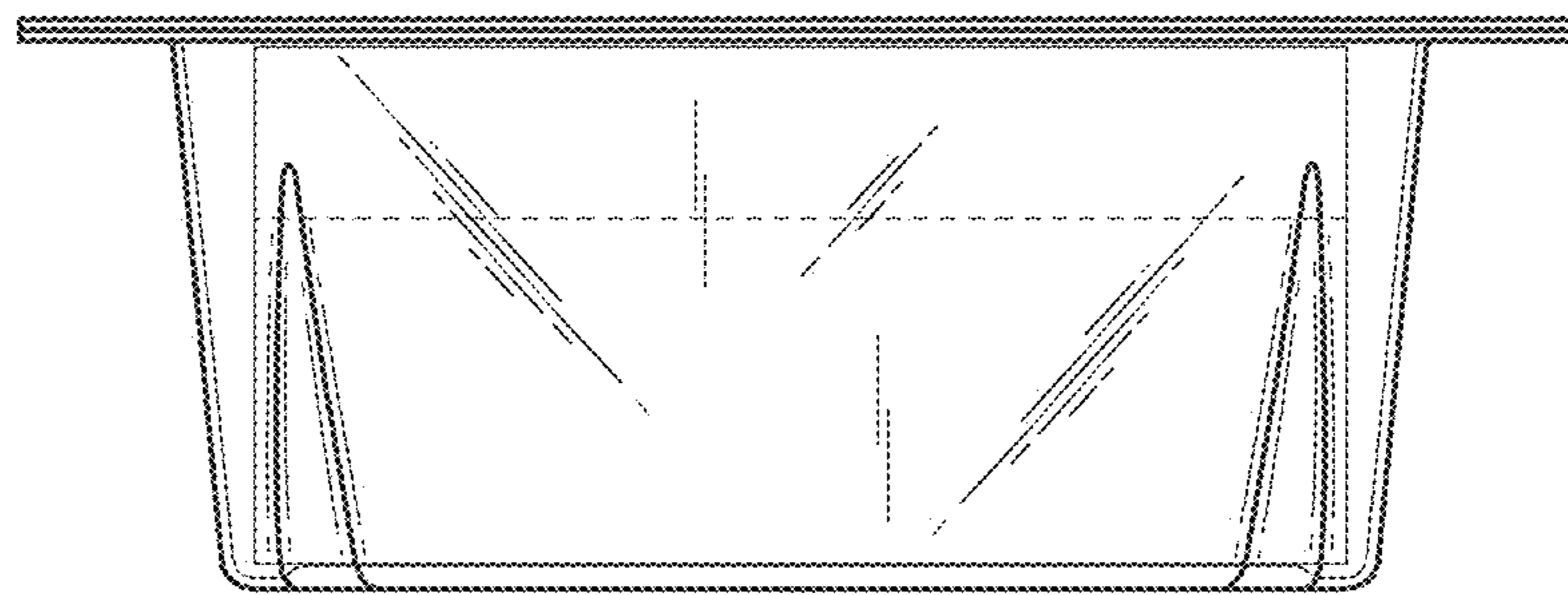


Fig. 5

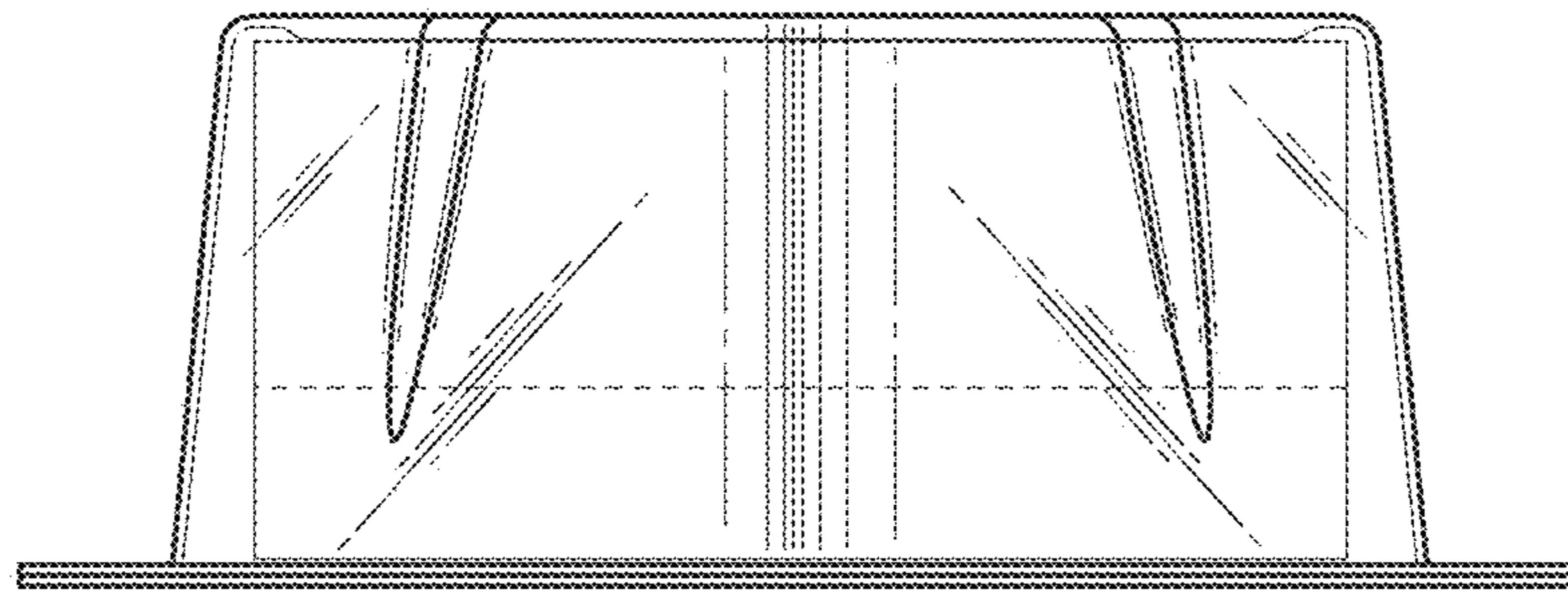


Fig. 6