



US00D944094S

(12) **United States Design Patent** (10) **Patent No.:** **US D944,094 S**
Shourie et al. (45) **Date of Patent:** **** Feb. 22, 2022**

(54) **COMBINED DEODORANT AND PERFUME CONTAINER**

(71) Applicants: **Viktor Shourie**, Upplands Väsby (SE);
Robin Shourie, Upplands Väsby (SE)

(72) Inventors: **Viktor Shourie**, Upplands Väsby (SE);
Robin Shourie, Upplands Väsby (SE)

(**) Term: **15 Years**

(21) Appl. No.: **29/669,120**

(22) Filed: **Nov. 6, 2018**

(30) **Foreign Application Priority Data**

May 7, 2018 (EM) 005259991

(51) **LOC (13) Cl.** **09-01**

(52) **U.S. Cl.**
USPC **D9/684**; D9/688; D9/726

(58) **Field of Classification Search**
USPC D28/76, 77, 82, 86, 88, 91, 91.1;
D9/682, 684, 688, 690, 723-729, 741,
D9/746, 504; D19/66, 71, 116-118, 165,
D19/169

CPC . B05B 11/00; B05B 11/0027; B05B 11/0035;
B05B 11/0037; B05B 11/0038; B05B
11/02; B05B 11/30; B05B 11/3001-3008;
B05B 11/3038; B05B 11/3042; B05B
11/3043; B05B 11/3052; B05B 11/3074;
B05B 11/0078; B05B 11/3081; B05B
11/3084; B65D 83/14; B65D 83/16;
B65D 83/20; B65D 83/38; B65D 83/40;
B65D 83/56; B65D 83/75; B65D 83/752;
B65D 83/753; B65D 83/28; B65D
83/285; B65D 83/68; A45D 34/00; A45D
34/02; A45D 34/04; A45D 34/041; A45D
34/06; A45D 2034/007; A45D 40/00;
A45D 40/18; A45D 40/24; A45D 40/26;
A45D 40/261; A45D 40/28; A45D
2040/0012

See application file for complete search history.

(56) **References Cited**

U.S. PATENT DOCUMENTS

D137,496 S * 3/1944 Lustig D3/203.2
D155,385 S * 10/1949 Brun D28/88
D262,438 S * 12/1981 Sears D9/503

(Continued)

FOREIGN PATENT DOCUMENTS

WO WO-2017115992 A1 * 7/2017 A45D 34/041
WO WO-2017164445 A1 * 9/2017 B65D 81/32
WO WO-2019212206 A1 * 11/2019 A45D 34/00

Primary Examiner — Catherine A Tuttle

(74) *Attorney, Agent, or Firm* — Tucker Ellis LLP

(57) **CLAIM**

The ornamental design for a combined deodorant and perfume container, as shown and described.

DESCRIPTION

FIG. 1 is a top, front and left perspective view of a combined deodorant and perfume container showing our new design, the bottom, rear and right perspective view being the same; FIG. 2 is an exploded top, front and left perspective view thereof;

FIG. 3 is a front view shown without the end caps for a clear disclosure of the underlying parts. The rear view is a mirror image of the front view;

FIG. 4 is a top view thereof;

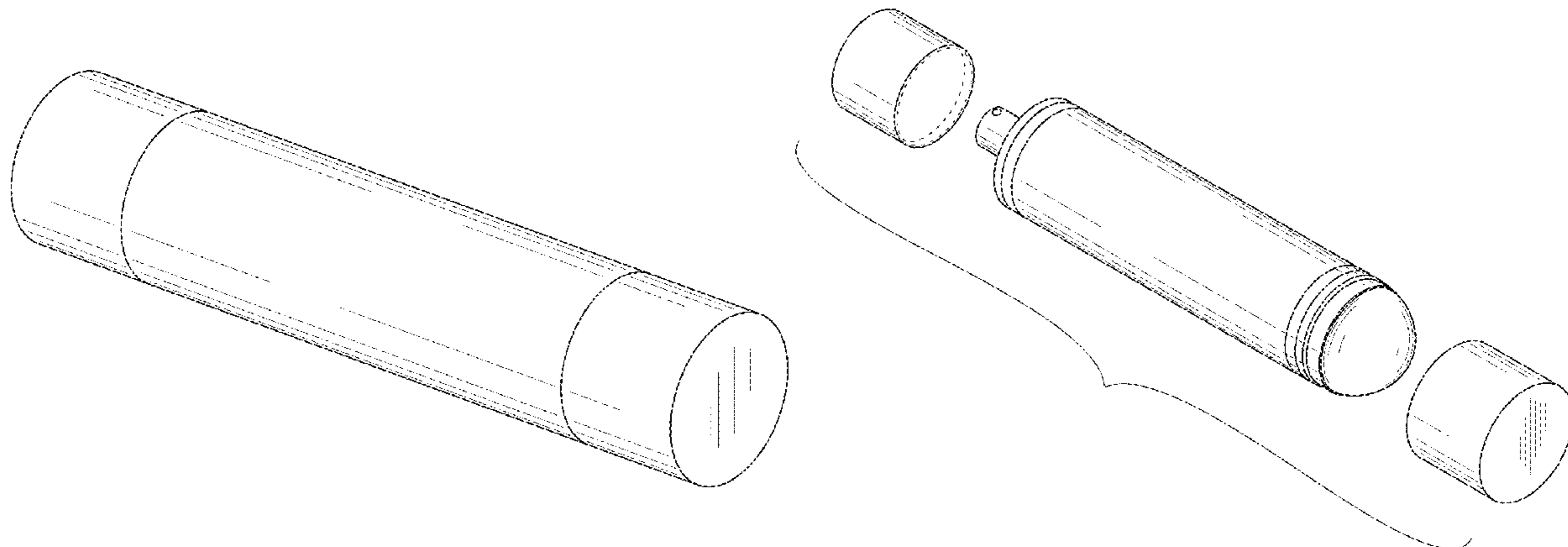
FIG. 5 is a right side view thereof;

FIG. 6 is a front view of another embodiment of the right side end cap shown in isolation, the rear view being a mirror image of the front view; and,

FIG. 7 is a right side view thereof.

The broken lines depict the end cap interior and portion of the right end that forms no part of the claimed design.

1 Claim, 4 Drawing Sheets



(56)

References Cited

U.S. PATENT DOCUMENTS

D279,992 S * 8/1985 Gribb 401/199
5,460,300 A * 10/1995 Tritsch B05B 9/0822
222/401
D365,889 S * 1/1996 Kim D27/147
5,586,694 A * 12/1996 Breidenbach A45D 34/02
222/183
D408,592 S * 4/1999 Litton D28/76
D410,673 S * 6/1999 Martin D18/15
D420,386 S * 2/2000 Clarke D19/115
D429,845 S * 8/2000 Lang D24/119
D430,705 S * 9/2000 Lang D28/89
D443,641 S * 6/2001 Mader D19/117
D568,761 S * 5/2008 Yoon D9/730
D658,332 S * 4/2012 Huang D28/62
D708,961 S * 7/2014 Jung D9/723
D725,490 S * 3/2015 Grosso D9/726
D810,581 S * 2/2018 Shalev D9/684
D812,486 S * 3/2018 Newson D9/690
D840,246 S * 2/2019 Shalev D9/684
D846,995 S * 4/2019 El Beaini D9/684
D906,419 S * 12/2020 Ryu D19/66
2003/0152410 A1 * 8/2003 Huang A46B 15/0055
401/19
2007/0175922 A1 * 8/2007 Choi B05B 11/0005
222/145.2
2014/0369945 A1 * 12/2014 Adelson A61K 8/35
424/63
2016/0007718 A1 * 1/2016 Villarreal A45D 40/28
401/117

* cited by examiner

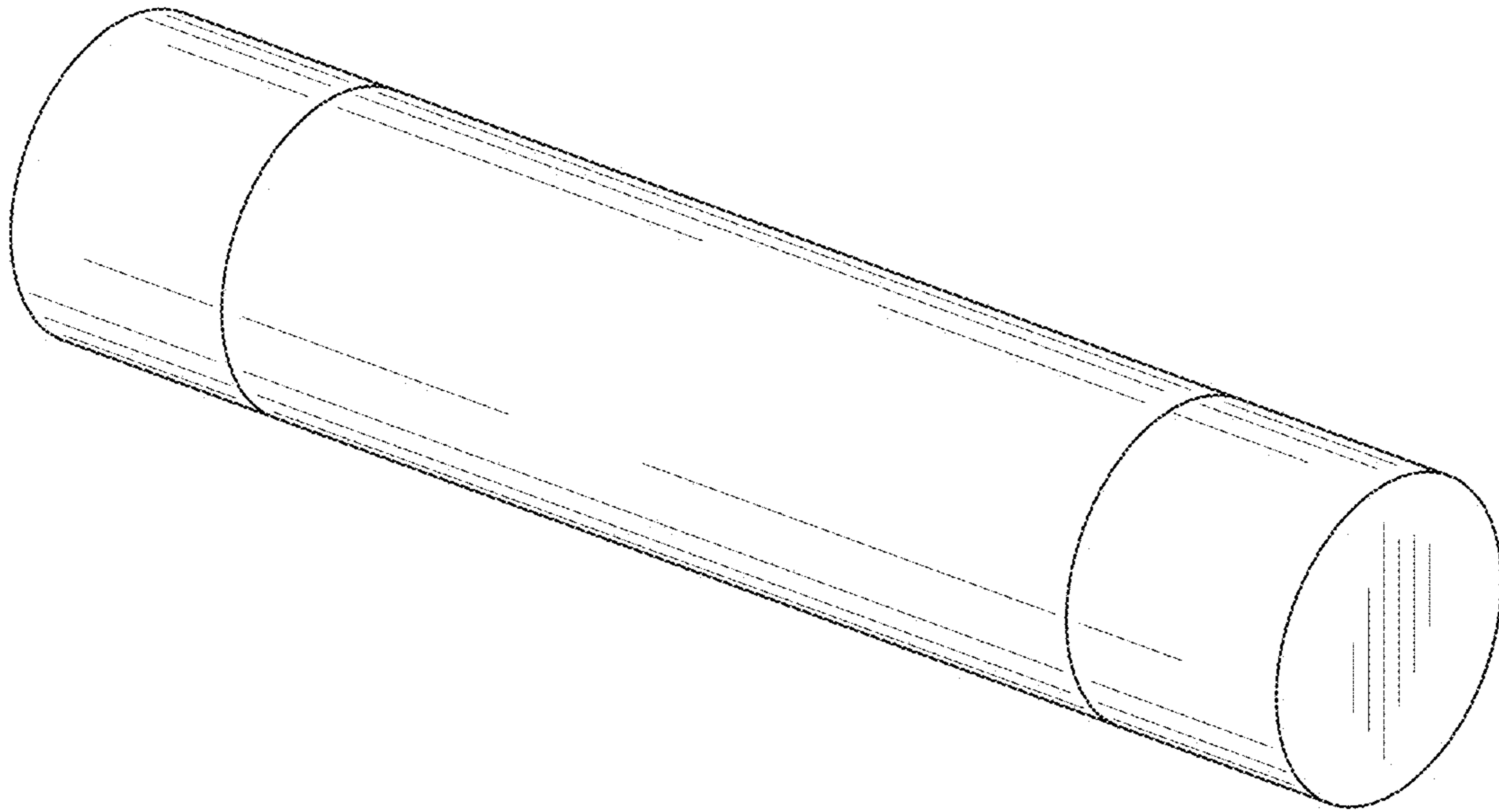


FIG. 1

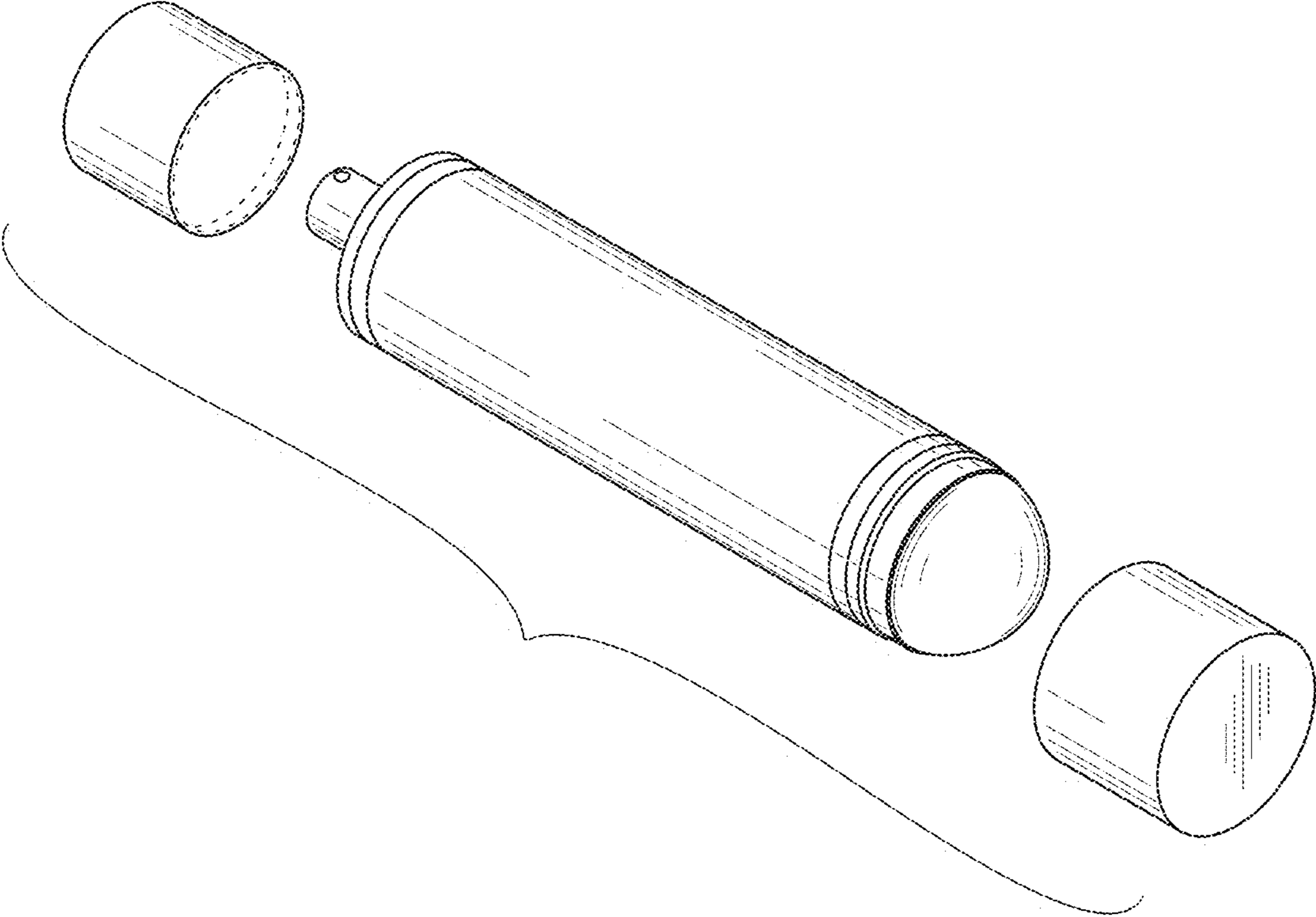


FIG. 2

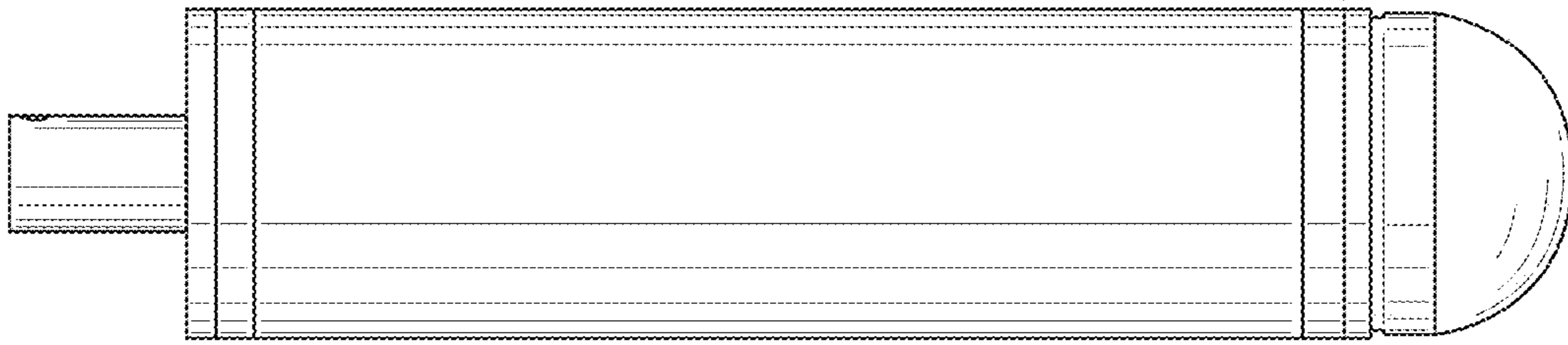


FIG. 3

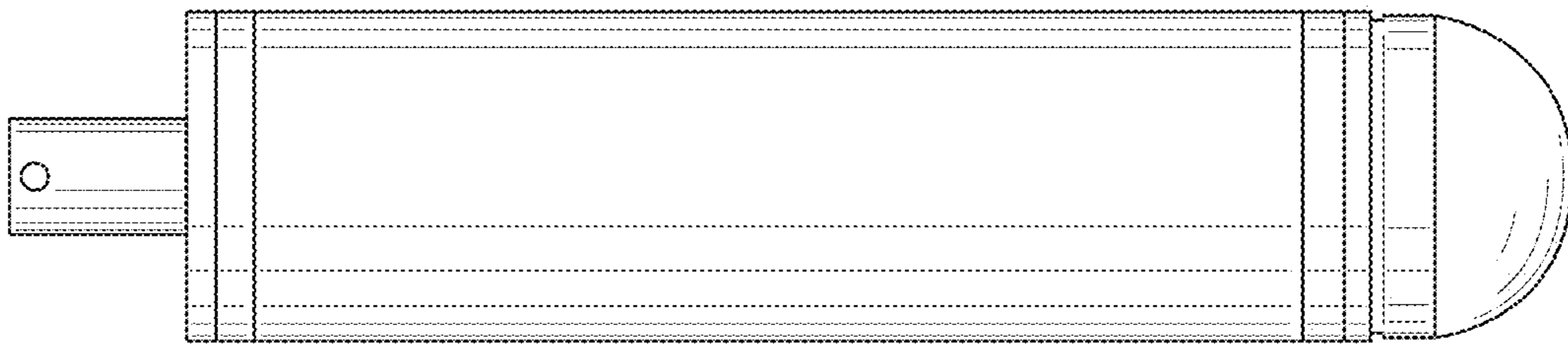


FIG. 4

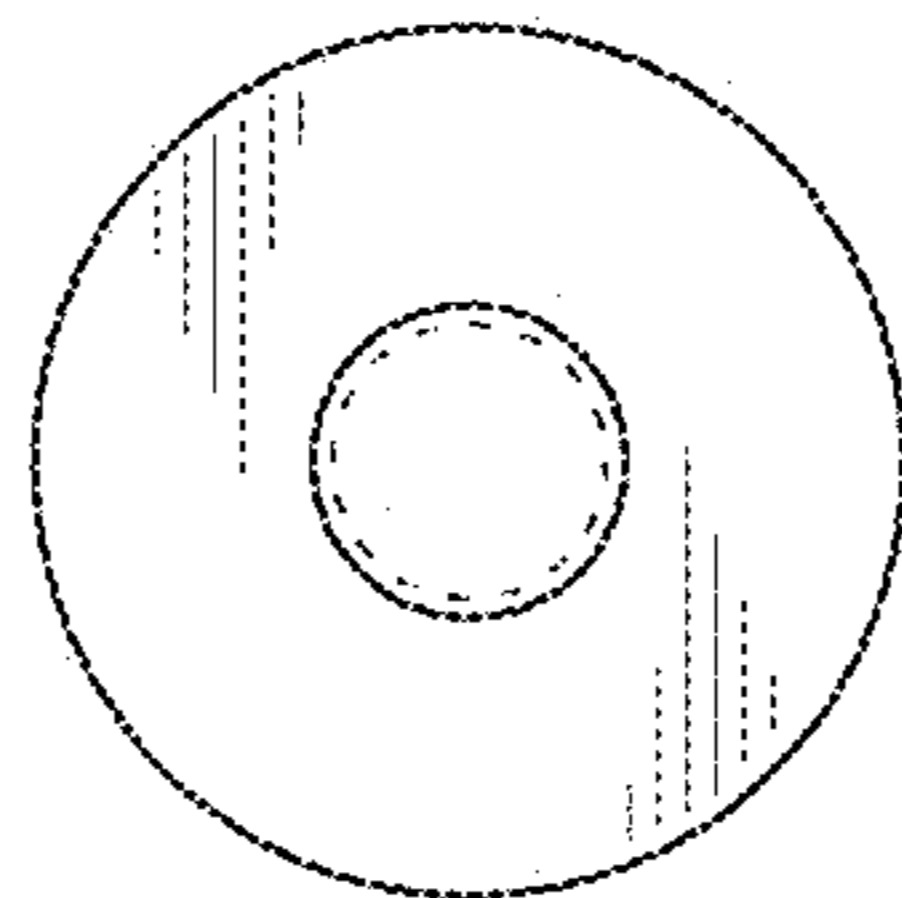


FIG. 5

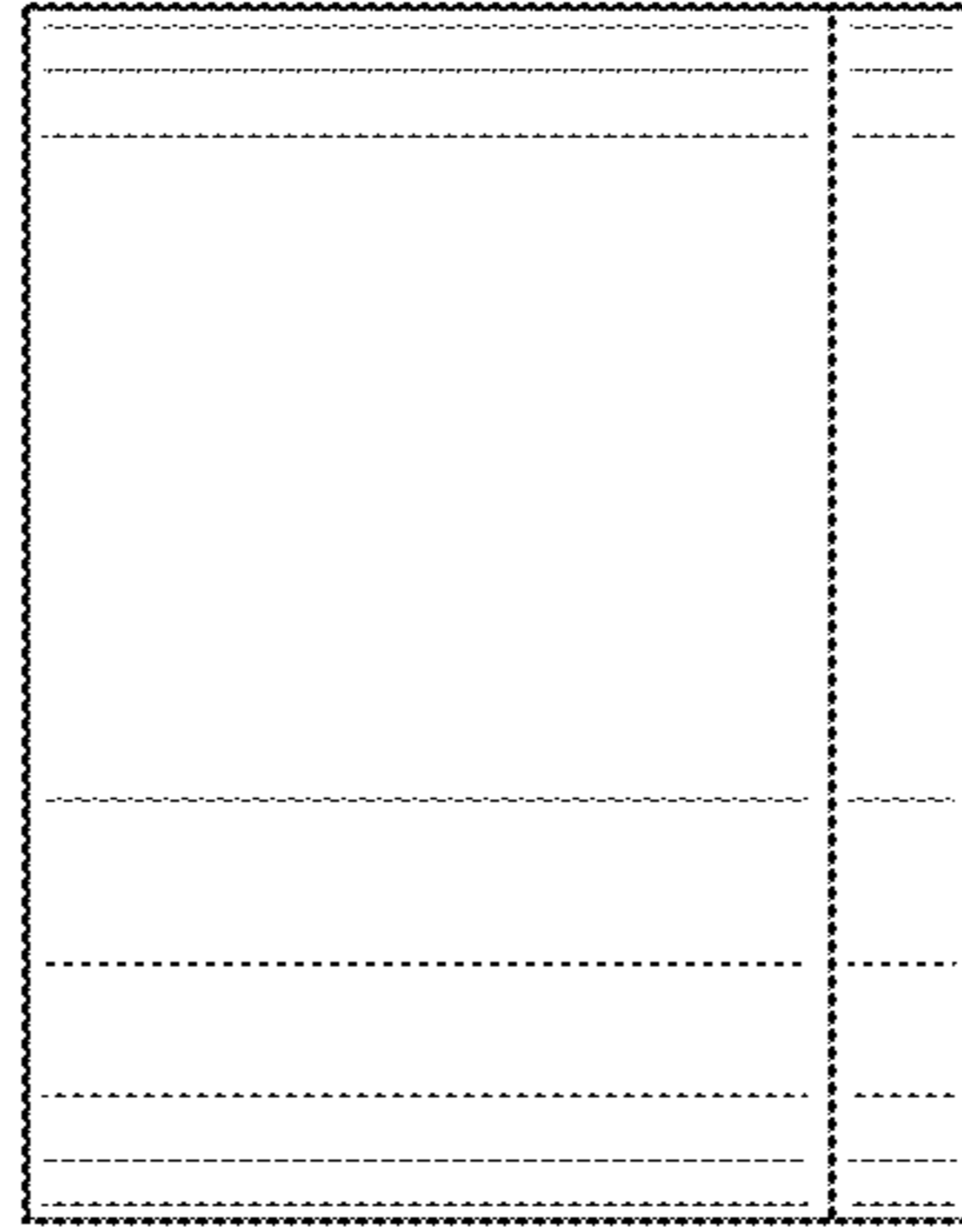


FIG. 6

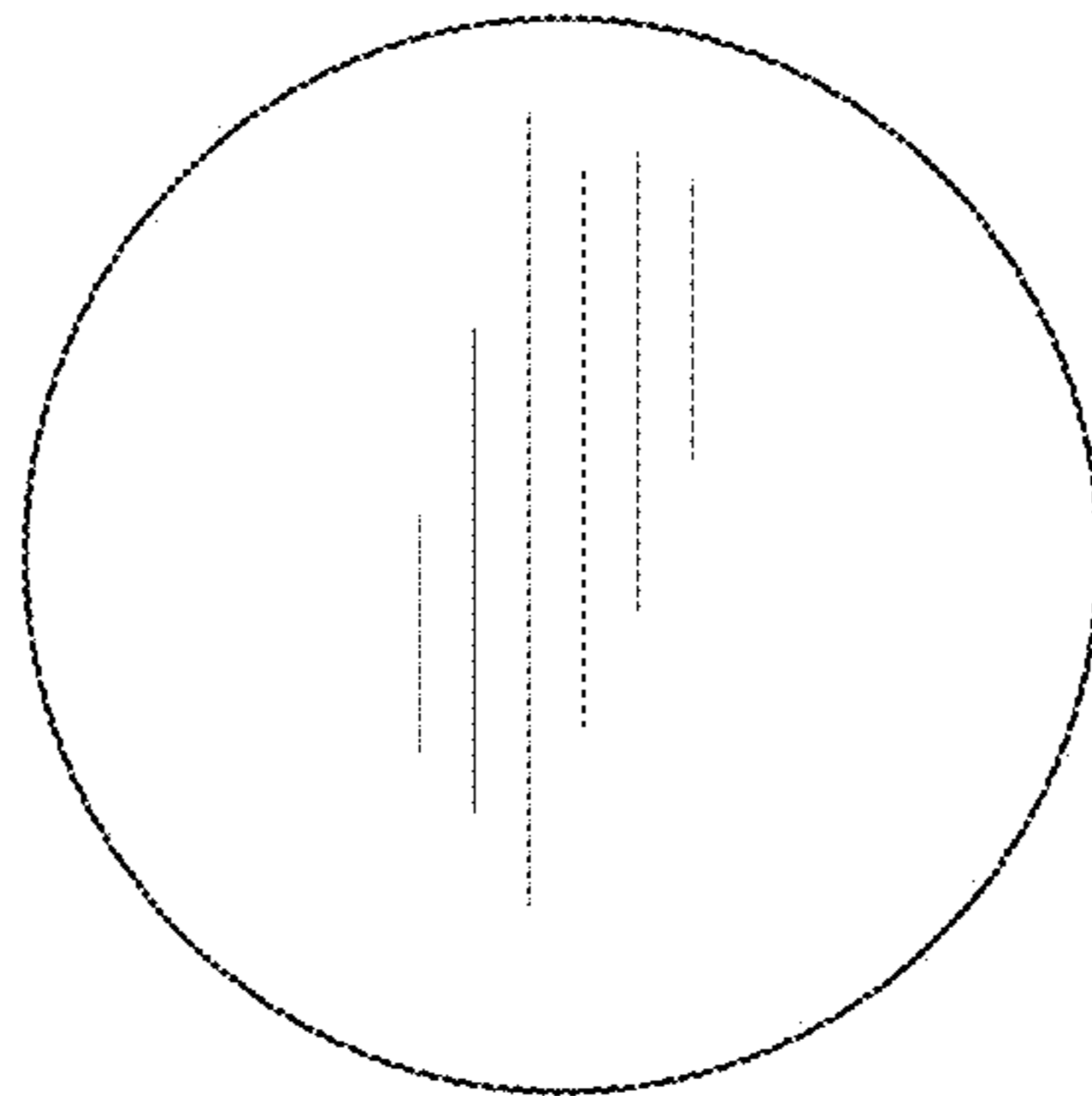


FIG. 7