



US00D944091S

(12) **United States Design Patent**
Deflorian et al.

(10) **Patent No.:** **US D944,091 S**

(45) **Date of Patent:** **** Feb. 22, 2022**

(54) **BOTTLE**

(71) Applicant: **ZOBELE HOLDING SPA**, Trento (IT)

(72) Inventors: **Stefano Deflorian**, Trento (IT); **Walter Sordo**, Trento (IT)

(73) Assignee: **ZOBELE HOLDING SPA**, Trento (IT)

(**) Term: **15 Years**

(21) Appl. No.: **29/741,039**

(22) Filed: **Jul. 9, 2020**

(30) **Foreign Application Priority Data**

Jan. 10, 2020 (ES) 0530977-2

(51) **LOC (13) Cl.** **09-01**

(52) **U.S. Cl.**

USPC **D9/538**; D9/551; D9/557; D9/558

(58) **Field of Classification Search**

USPC D9/502, 516, 520, 530, 537-543, 549,
D9/551, 557-558, 564, 575, 715, 719

CPC B65D 1/00; B65D 1/02; B65D 1/0223;
B65D 23/00; B65D 23/102; B65D
2501/00; B65D 2501/0009; B65D
2501/0018; B65D 2501/0036

See application file for complete search history.

(56) **References Cited**

U.S. PATENT DOCUMENTS

D190,060 S * 4/1961 Gardner D9/538
D191,888 S * 12/1961 Pettengill D9/538

D332,373 S * 1/1993 Kahl D7/300.1
D434,272 S * 11/2000 Johansen D7/396.2
D595,135 S * 6/2009 Goetz D9/500
D633,793 S * 3/2011 Reagan D9/500
D667,306 S * 9/2012 Verea D9/502
D689,375 S * 9/2013 Garner D9/745
D703,048 S * 4/2014 Lopez D9/500
D703,049 S * 4/2014 Riley D9/500
D703,050 S * 4/2014 Lopez D9/503
D703,051 S * 4/2014 Riley D9/503
D705,065 S * 5/2014 Egret D9/502
D865,522 S * 11/2019 Sordo D9/500
D890,611 S * 7/2020 Bhat D9/552
D902,038 S * 11/2020 Sordo D9/503
D902,039 S * 11/2020 Sordo D9/503
D913,098 S * 3/2021 Cavanaugh D9/502
D915,203 S * 4/2021 Cavanaugh D9/502

* cited by examiner

Primary Examiner — Dana Meyrow

(74) *Attorney, Agent, or Firm* — Ostrolenk Faber LLP

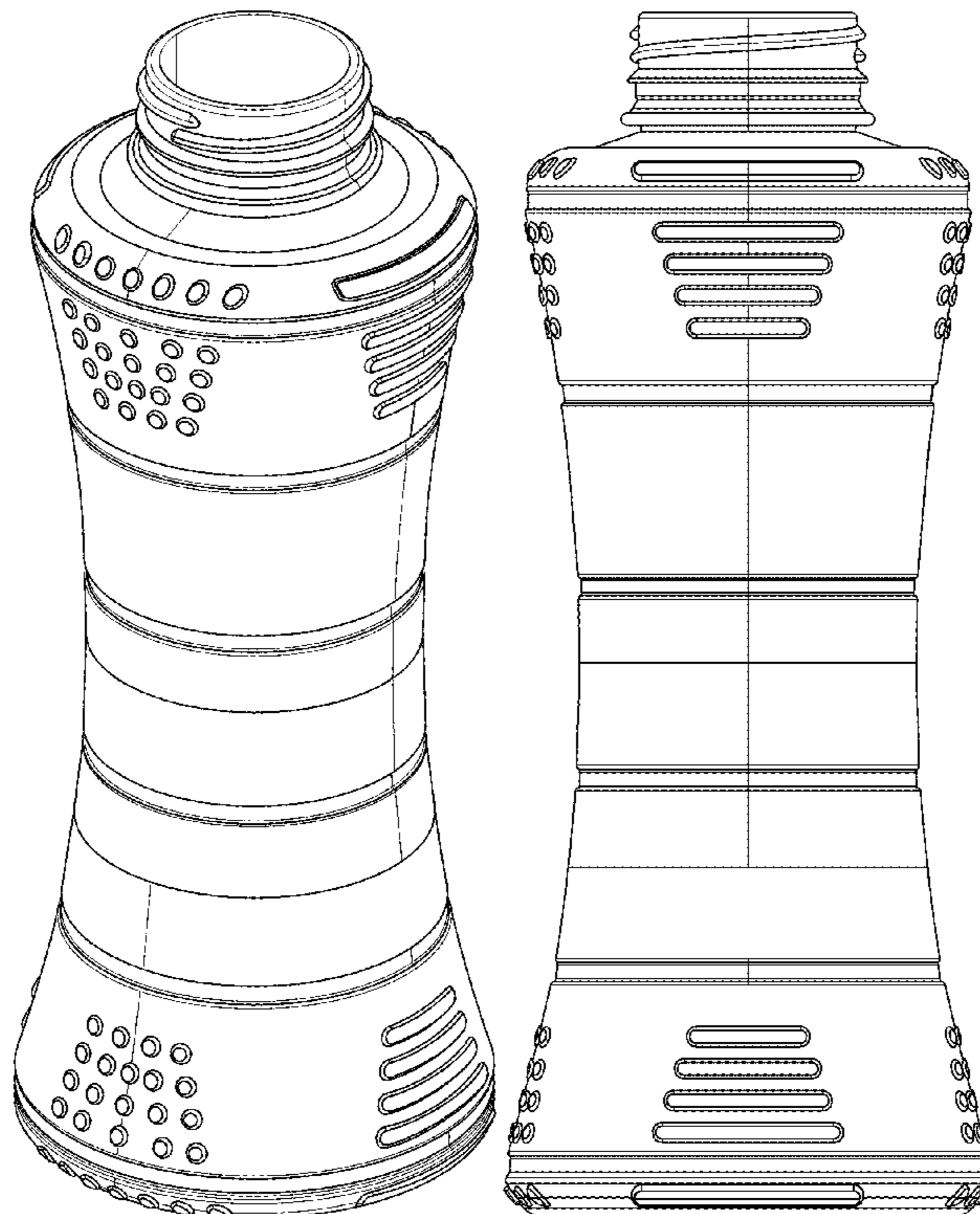
(57) **CLAIM**

The ornamental design for a bottle, as shown and described.

DESCRIPTION

FIG. 1 is a top, front, side perspective view of a bottle showing our new design;
FIG. 2 is a front view thereof, the opposite rear view thereof being identical;
FIG. 3 is a side view thereof, the opposite side view thereof being identical; and,
FIG. 4 is top view thereof.

1 Claim, 4 Drawing Sheets



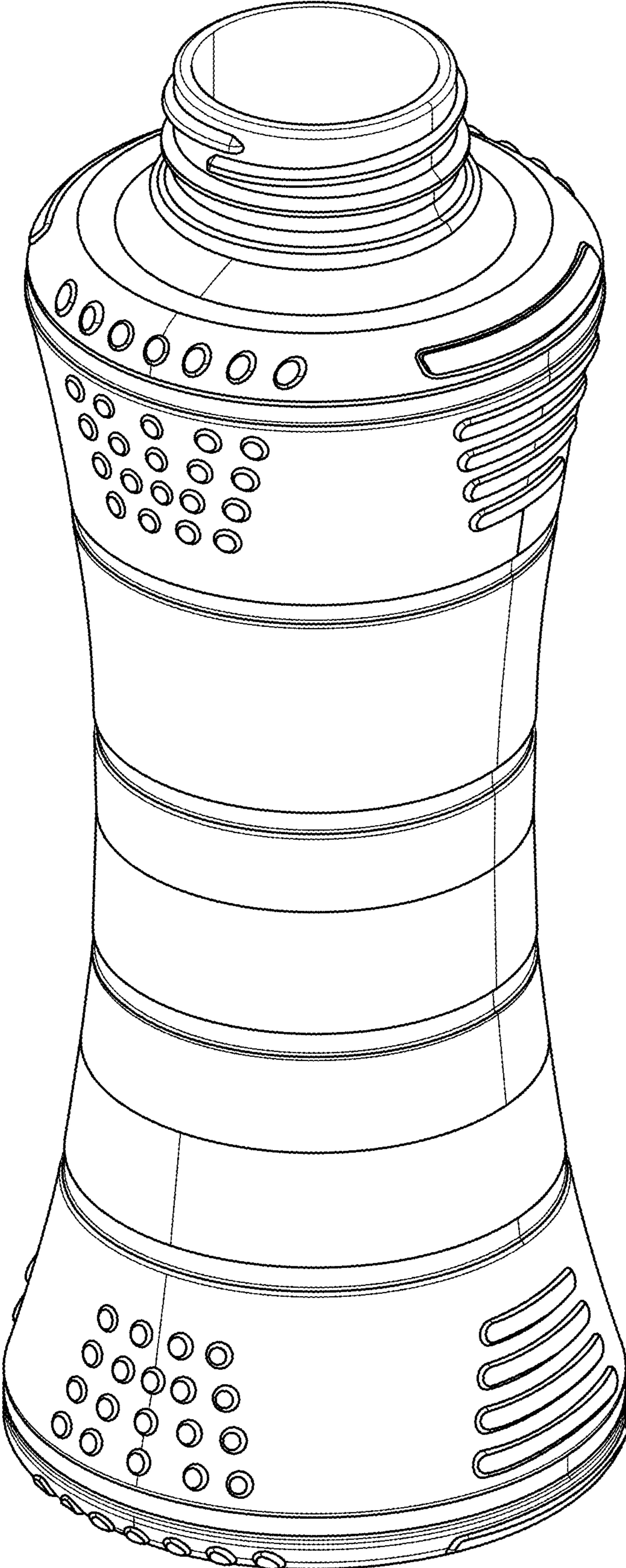


FIG. 1

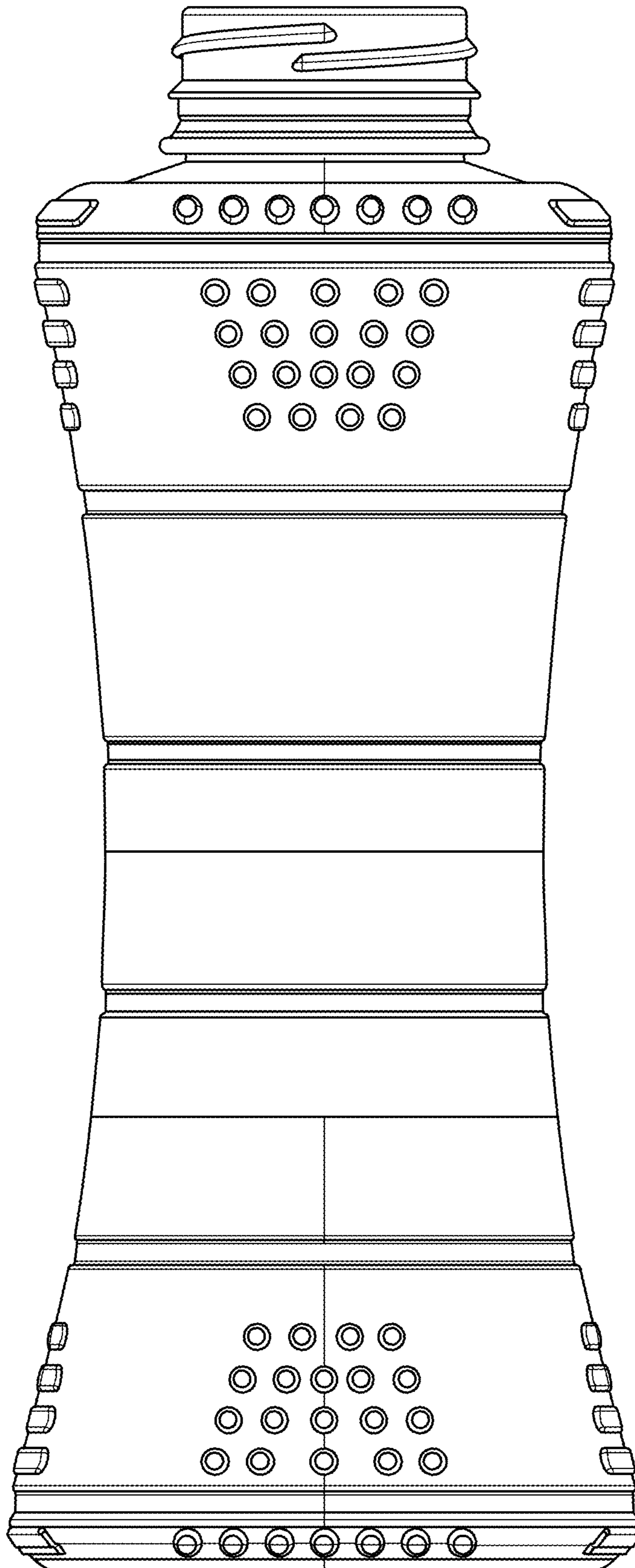


FIG. 2

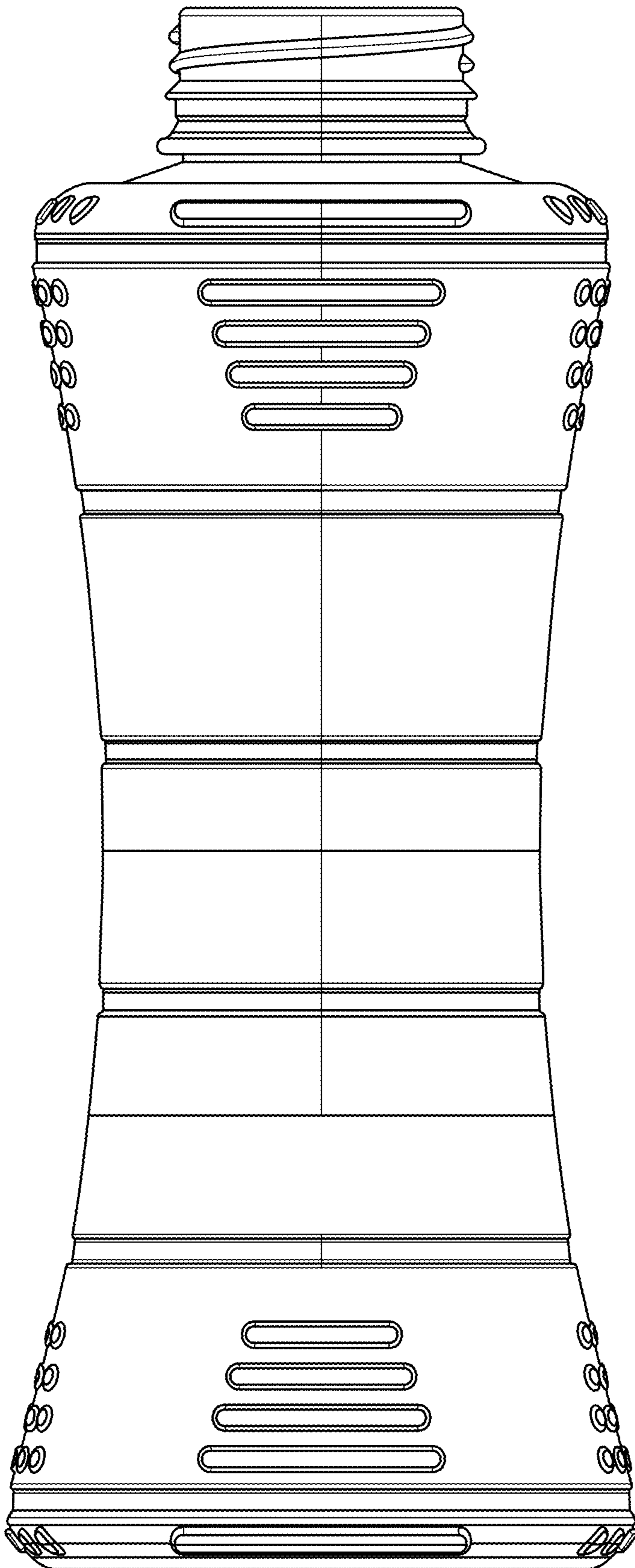


FIG. 3

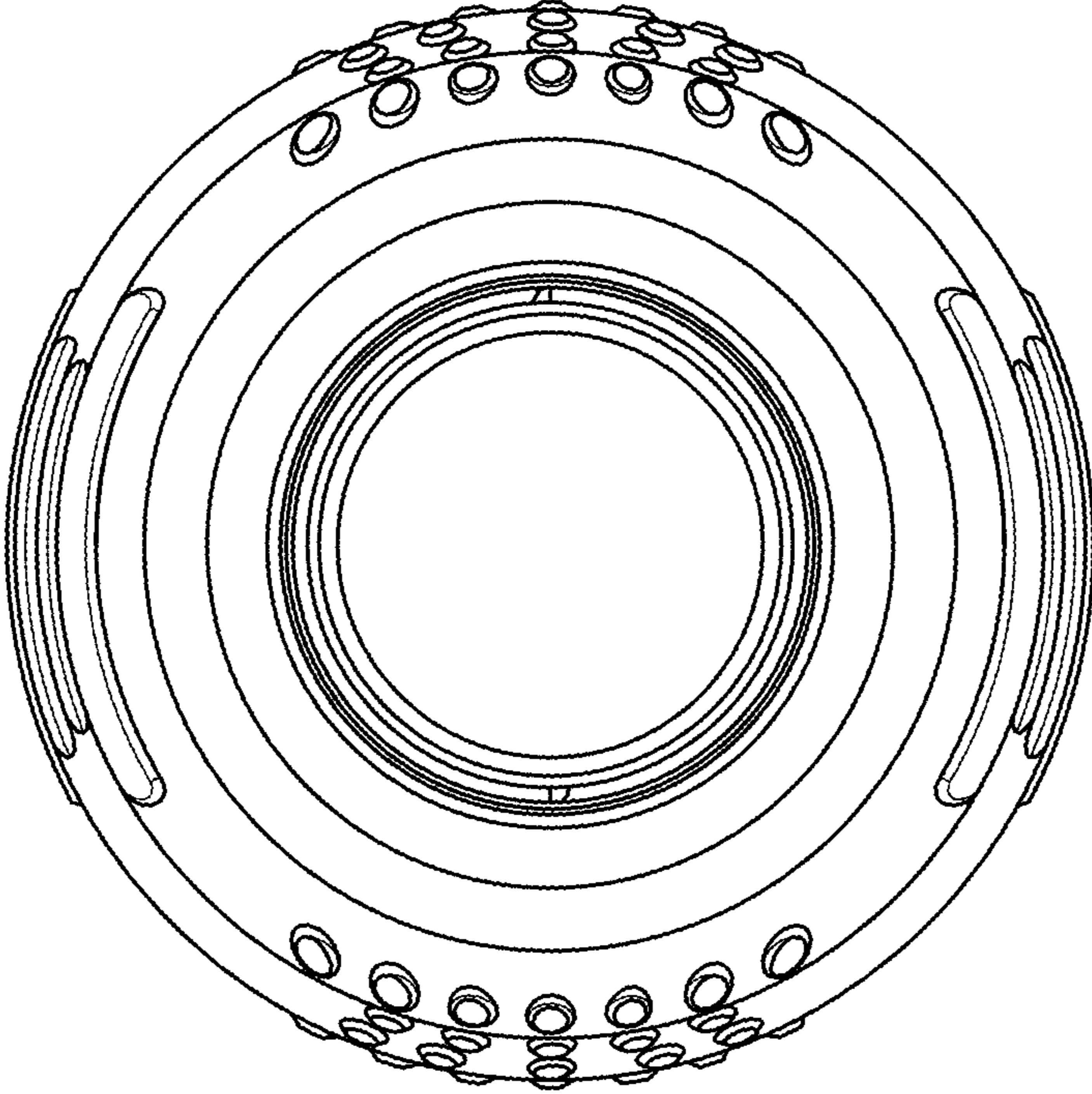


FIG. 4