



US00D944085S

(12) **United States Design Patent**
Erickson

(10) **Patent No.:** **US D944,085 S**

(45) **Date of Patent:** **** Feb. 22, 2022**

- (54) **CONNECTOR**
- (71) Applicant: **Scholle IPN Corporation**, Northlake, IL (US)
- (72) Inventor: **Kyle Erickson**, Chicago, IL (US)
- (73) Assignee: **Scholle IPN Corporation**, Northlake, IL (US)
- (**) Term: **15 Years**
- (21) Appl. No.: **29/632,458**
- (22) Filed: **Jan. 8, 2018**
- (51) **LOC (13) Cl.** **09-07**
- (52) **U.S. Cl.**
USPC **D9/453; D23/262**
- (58) **Field of Classification Search**
USPC D9/434, 435, 439, 440, 442-450, D9/452-457, 499, 503-505, 682, 685, D9/686; D7/387, 391, 392, 392.1, 396.1, D7/396.2, 507, 509-511, 538, 900; D3/202, 203.2, 294, 318; D28/91, 91.1; D24/108, 111, 112, 129; D23/213, 223, D23/262
CPC .. A61J 1/00; A61J 1/1412; B65D 1/00; B65D 1/02; B65D 1/10; B65D 1/46; B65D 5/46; B65D 41/00; B65D 41/38; B65D 41/56; B65D 41/62; B65D 47/00; B65D 47/06; B65D 47/08; B65D 2251/00; B65D 2543/00046; B65D 2543/00092; B65D 2543/00296
See application file for complete search history.

- 4,564,132 A * 1/1986 Lloyd-Davies B65D 77/067 137/614.04
- 5,031,662 A * 7/1991 Roethel F16L 29/04 137/614.03
- 5,072,756 A * 12/1991 Carr B67D 3/042 137/614.04
- 5,095,962 A * 3/1992 Lloyd-Davies B67D 3/045 141/114
- D327,016 S * 6/1992 Leuenberger D9/435
- D336,430 S * 6/1993 Maguire D9/447
- 5,255,713 A * 10/1993 Scholle B67D 1/0835 137/535
- 5,477,883 A * 12/1995 Totten B65D 77/067 137/614.03
- D384,731 S * 10/1997 Ramacier, Jr. D23/262
- 5,697,410 A * 12/1997 Rutter F16L 37/32 137/614.04

(Continued)

Primary Examiner — Wendy L Arminio

(74) *Attorney, Agent, or Firm* — The Watson IP Group, PLC; Jovan N. Jovanovic

(57) **CLAIM**

The ornamental design for a connector, as shown and described.

DESCRIPTION

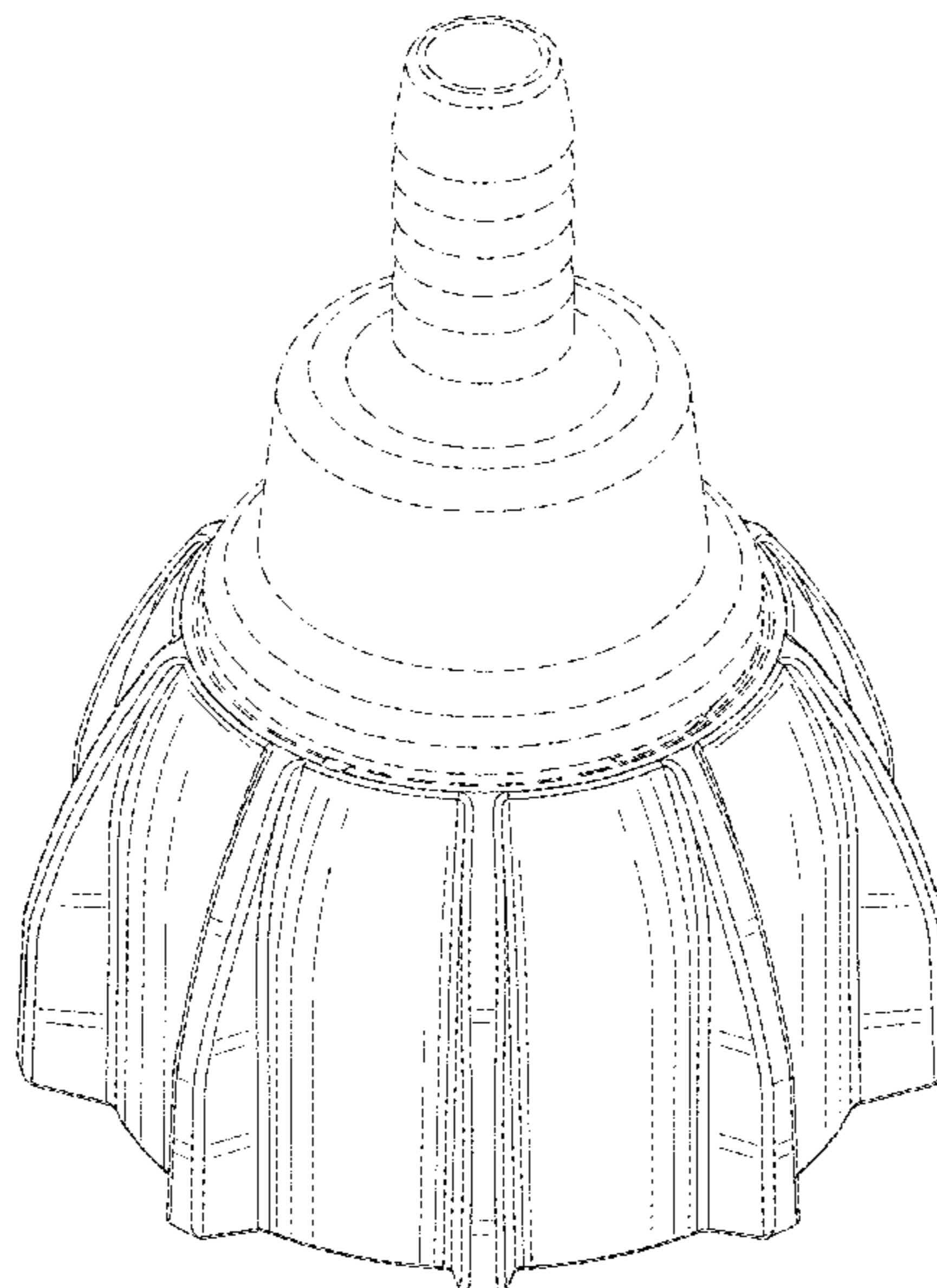
FIG. 1 of the drawings is a top perspective view of the connector showing my new design;
 FIG. 2 of the drawings is a bottom perspective view thereof;
 FIG. 3 of the drawings is a front elevational view thereof;
 FIG. 4 of the drawings is a back elevational view thereof;
 FIG. 5 of the drawings is a first side elevational view thereof;
 FIG. 6 of the drawings is a second side elevational view thereof;
 FIG. 7 of the drawings is a top plan view thereof; and,
 FIG. 8 of the drawings is a bottom plan view thereof.
 The broken lines depict portions of the connector that form no part of the claimed design.

1 Claim, 8 Drawing Sheets

(56) **References Cited**

U.S. PATENT DOCUMENTS

- D202,228 S * 9/1965 Vuilleminot D9/447
- 4,421,146 A * 12/1983 Bond F16L 37/008 141/349



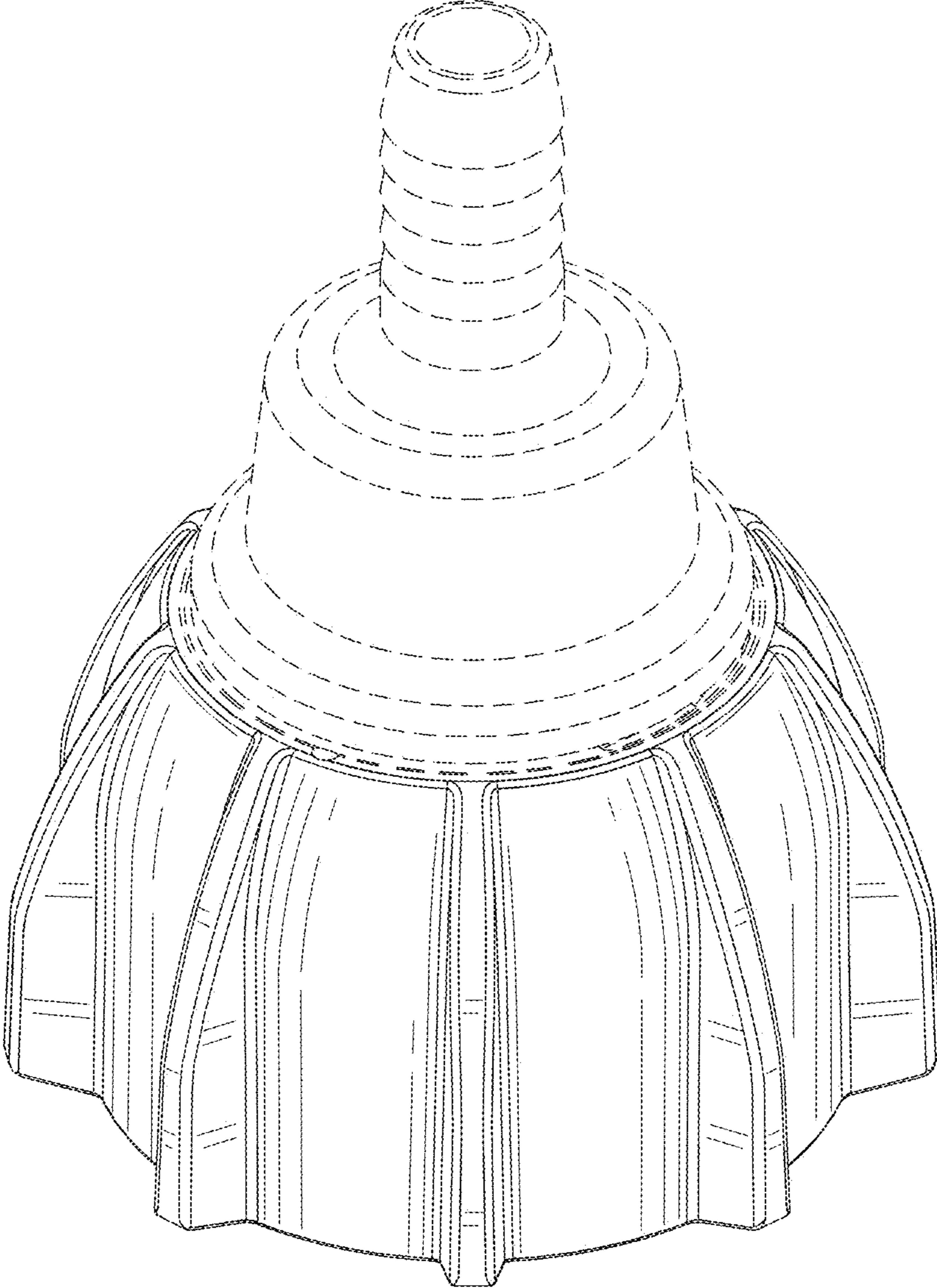


FIG. 1

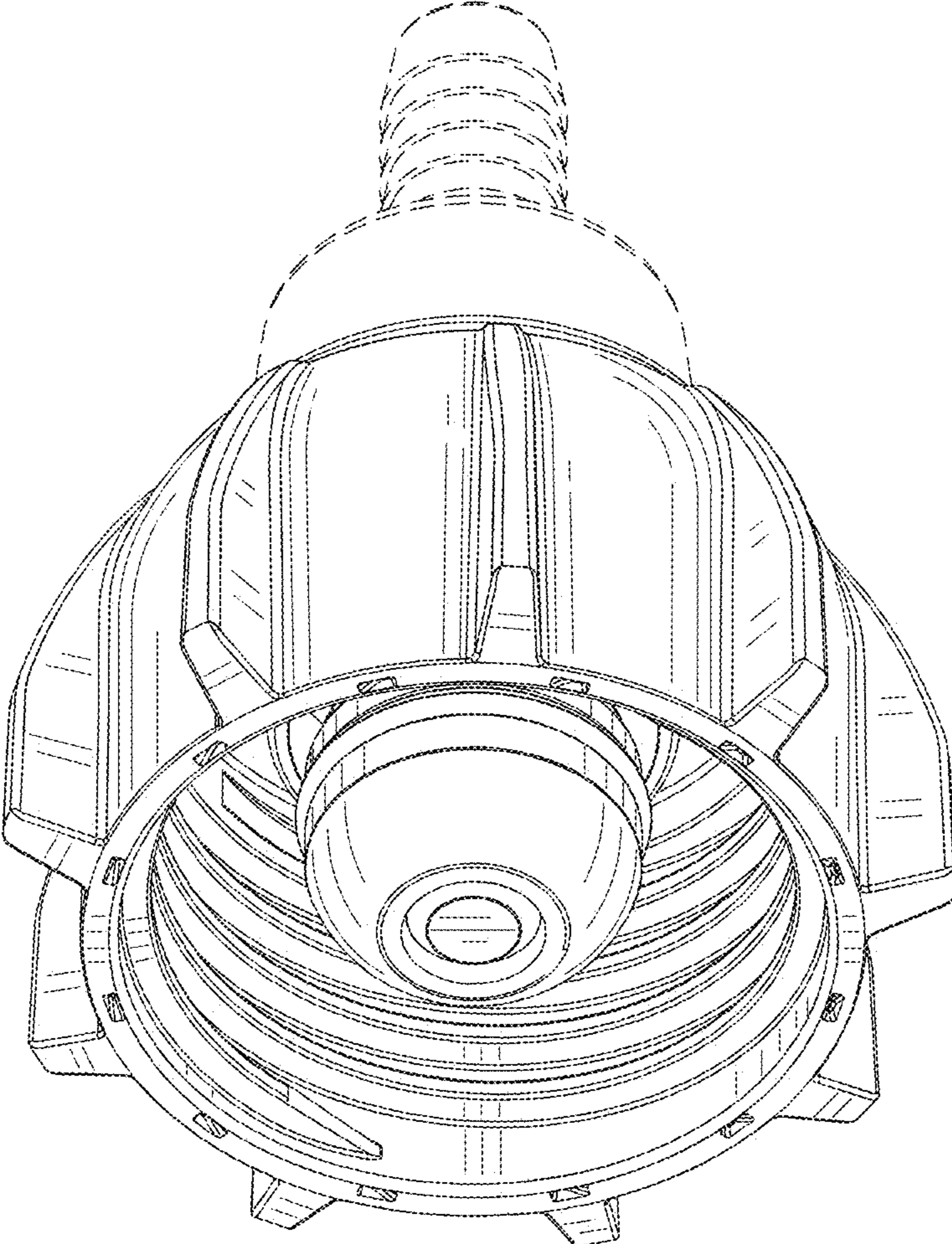


FIG. 2

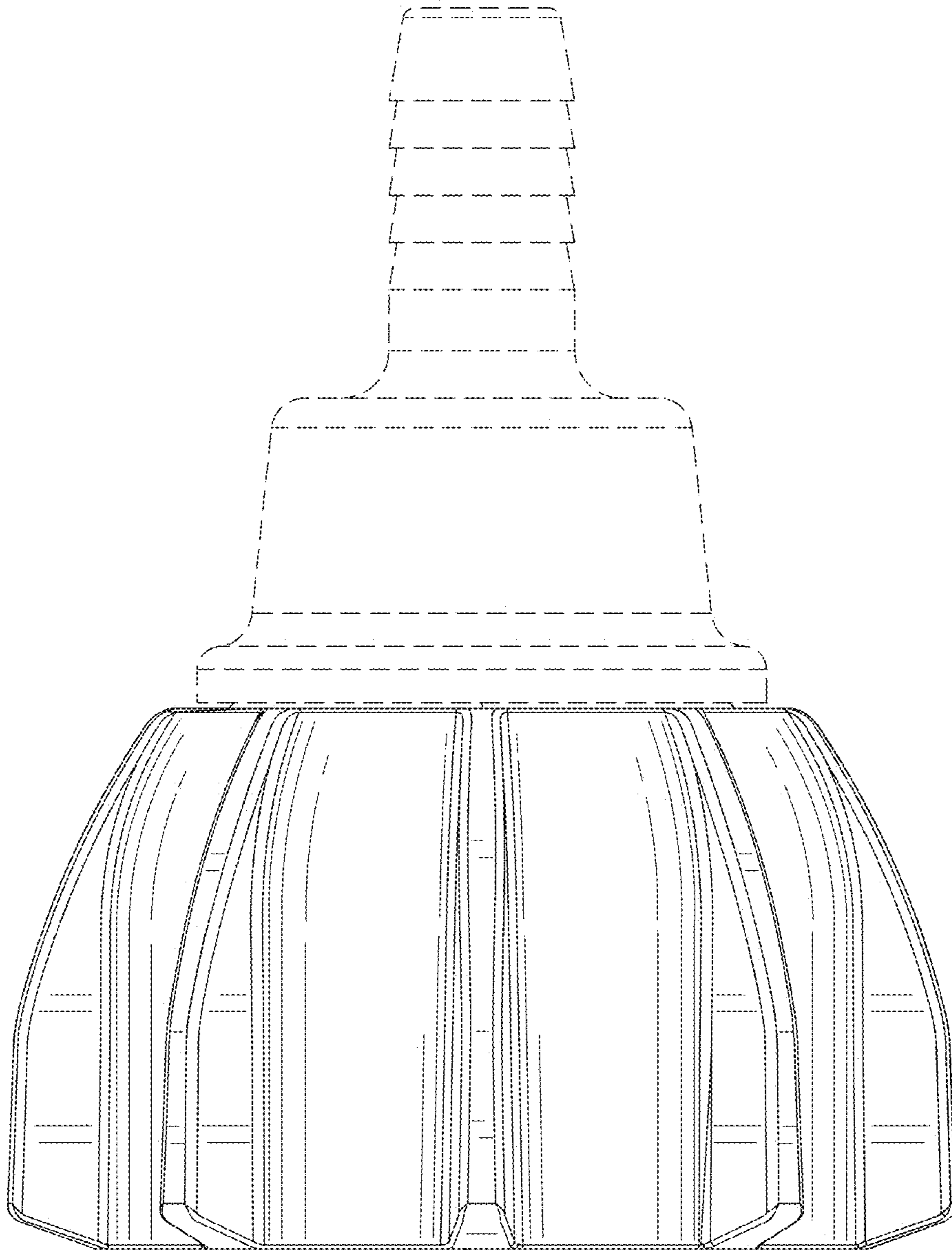


FIG. 3

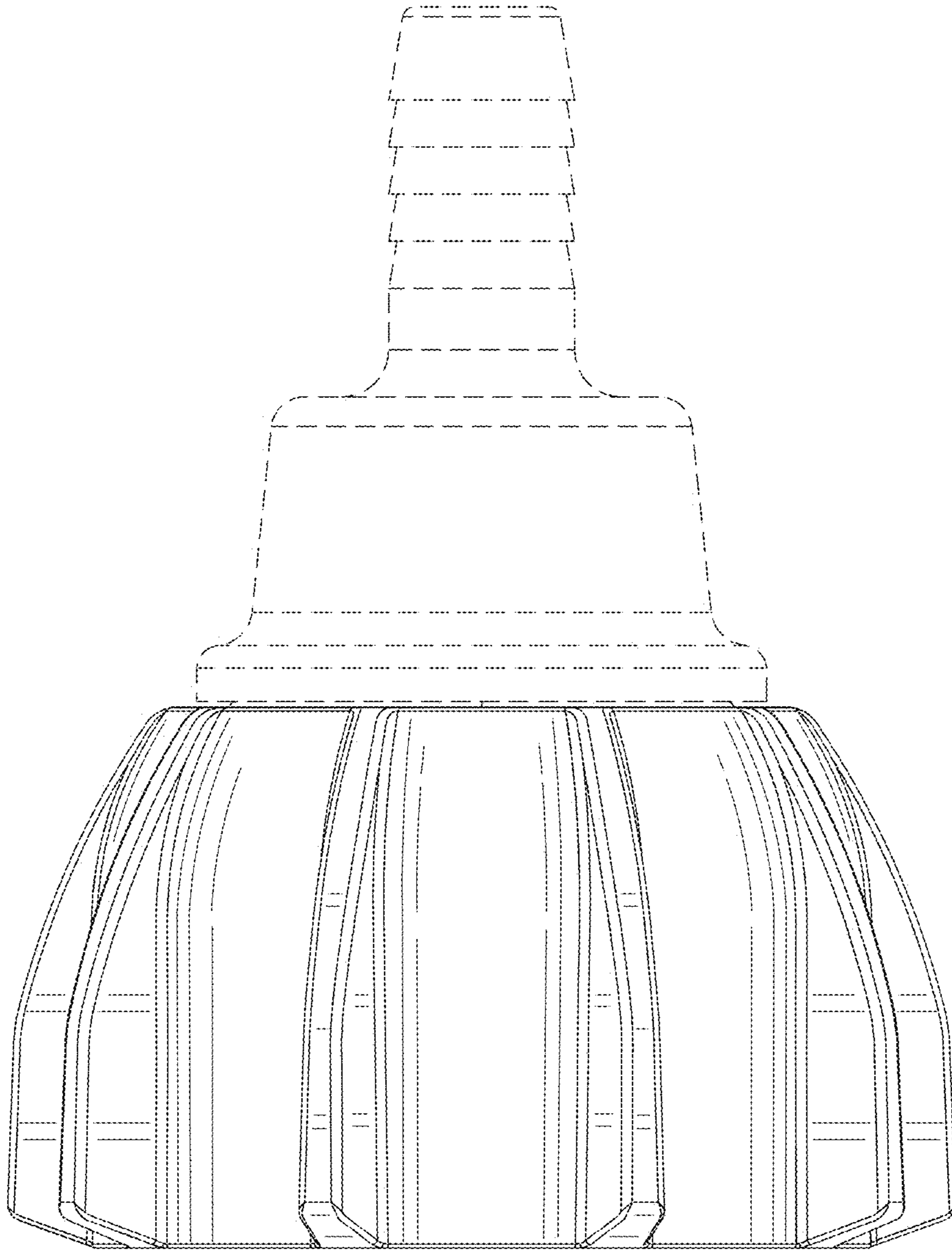


FIG. 4

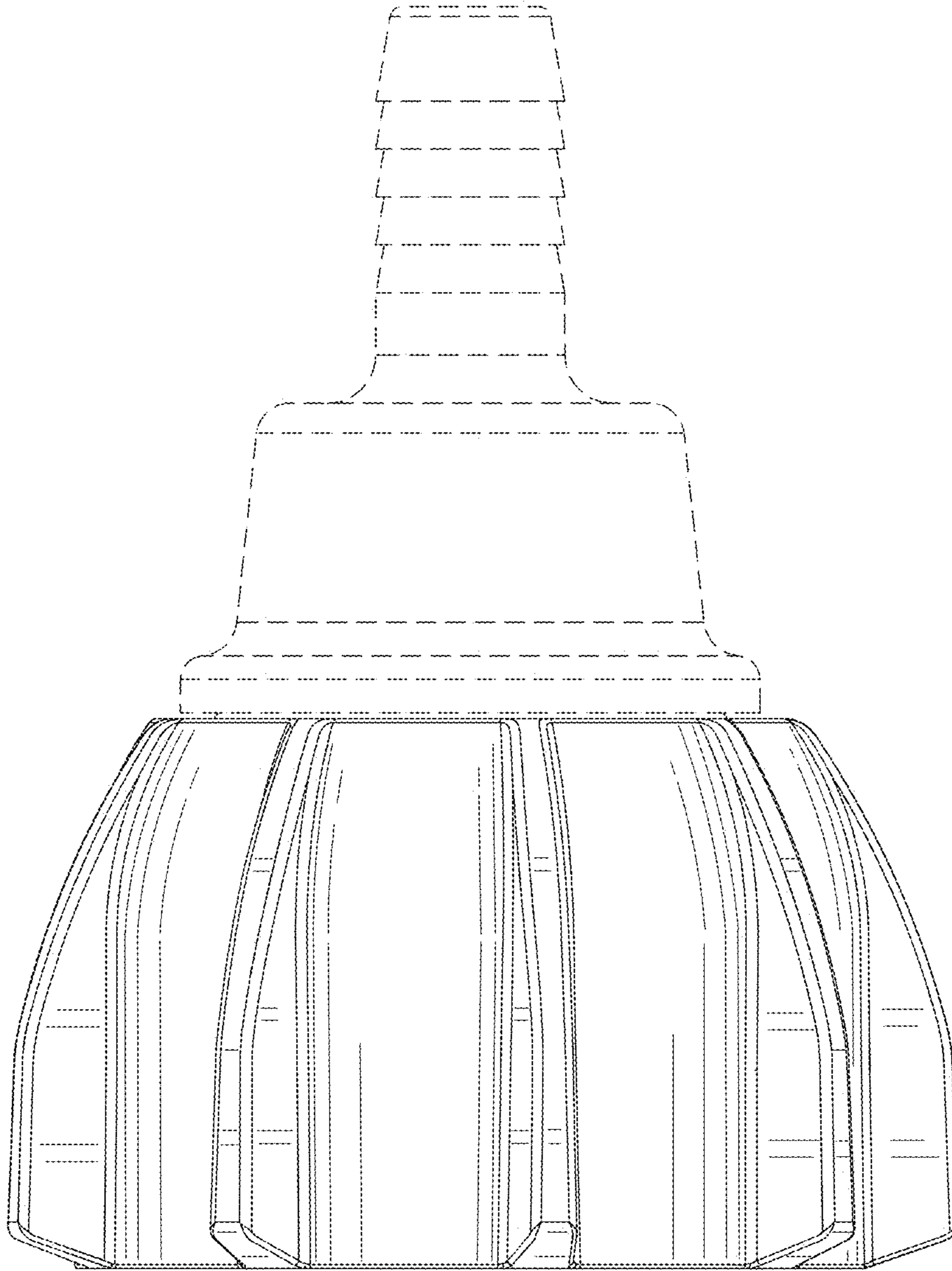


FIG. 5

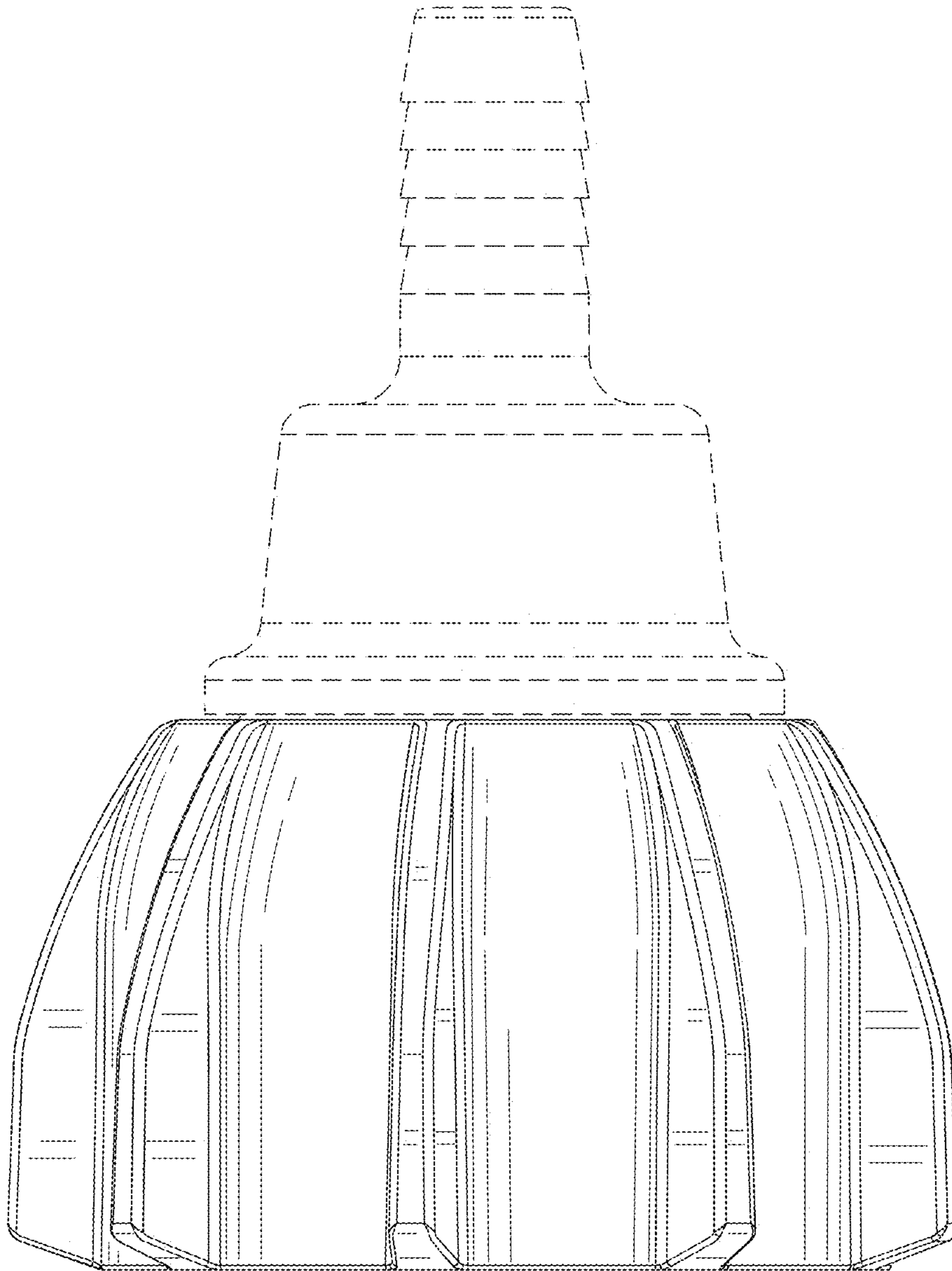


FIG. 6

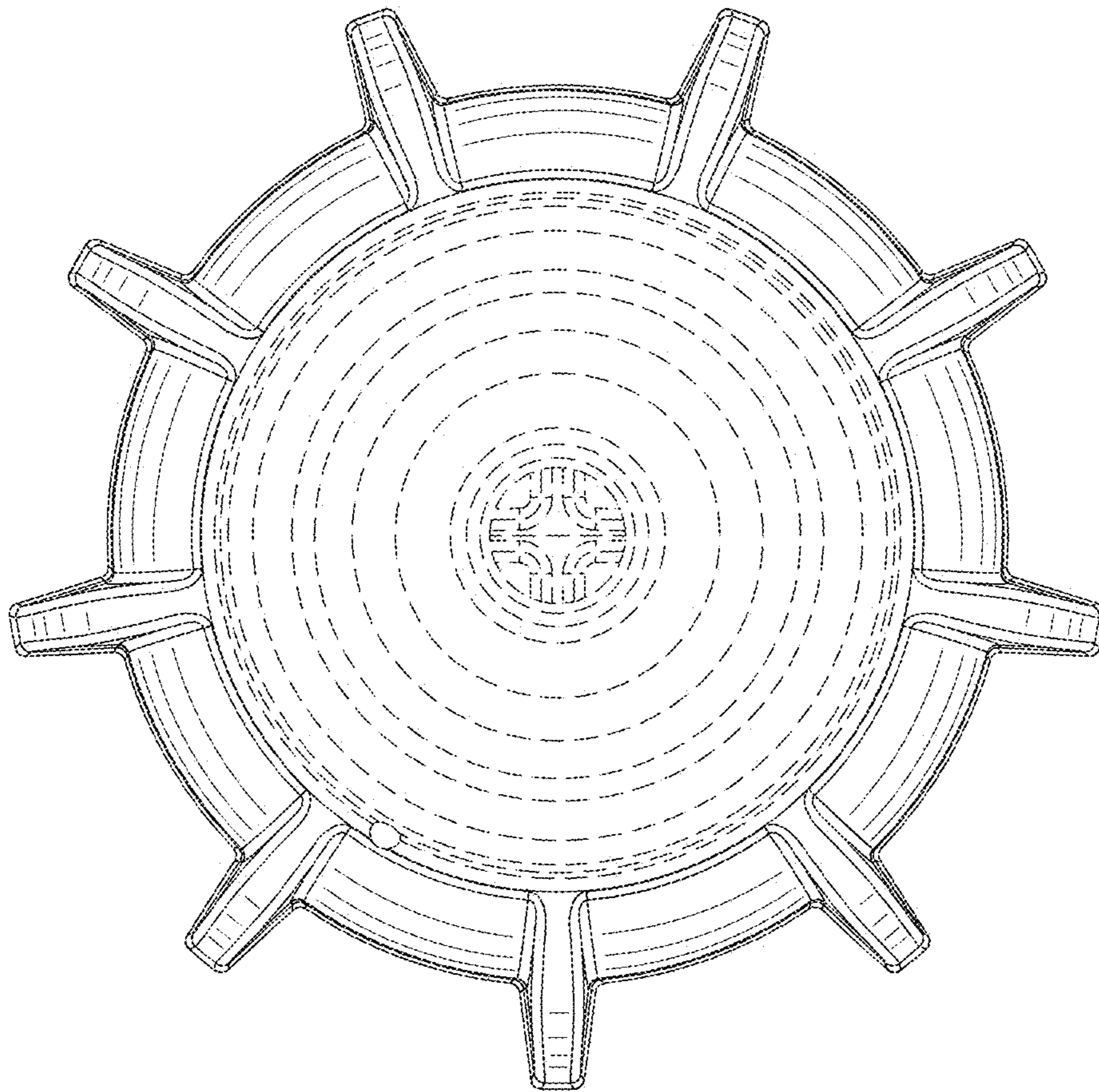


FIG. 7

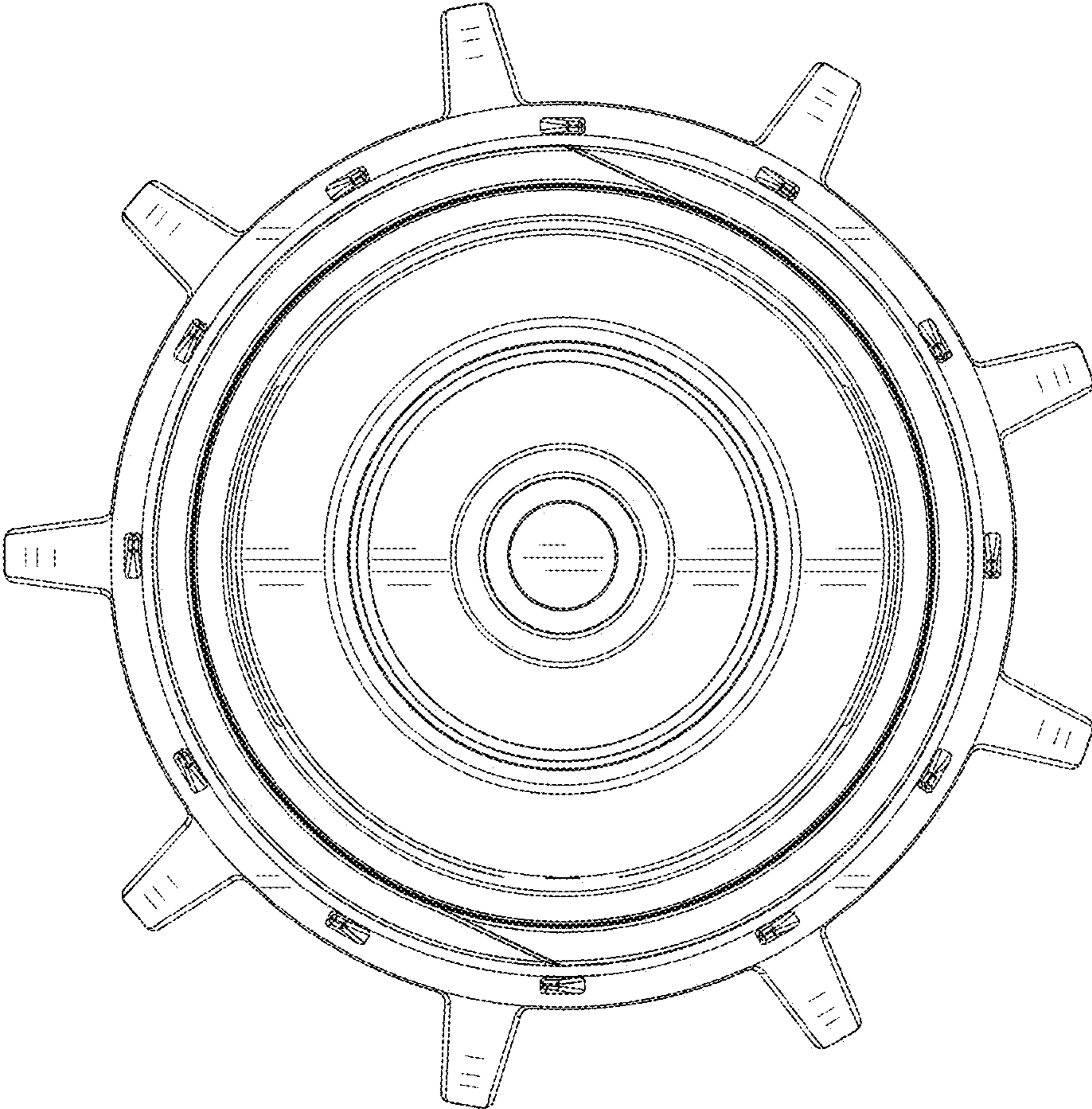


FIG. 8