



US00D944084S

(12) **United States Design Patent**
Hu

(10) **Patent No.:** **US D944,084 S**

(45) **Date of Patent:** **** Feb. 22, 2022**

(54) **BOTTLE LID**

(71) Applicant: **Shisheng Hu**, Yongkang (CN)

(72) Inventor: **Shisheng Hu**, Yongkang (CN)

(**) Term: **15 Years**

(21) Appl. No.: **29/721,919**

(22) Filed: **Jan. 24, 2020**

(51) **LOC (13) Cl.** **09-07**

(52) **U.S. Cl.**
USPC **D9/447; D9/453; D7/392.1**

(58) **Field of Classification Search**

USPC D3/201, 202; D7/300, 300.1, 317, 321,
D7/392, 392.1, 396.2, 601, 602, 619.1,
D7/629; D9/434-436, 440, 443-447,
D9/449, 452-454, 499

CPC B65D 41/0435; B65D 47/121; B65D 47/122;
B65D 47/0895; B65D 51/18; B65D
51/242; B65D 53/00; B65D 81/3869

See application file for complete search history.

(56) **References Cited**

U.S. PATENT DOCUMENTS

| | | | | |
|--------------|---------|----------|-------|----------|
| D761,608 S * | 7/2016 | Gamelli | | D7/300.1 |
| D761,609 S * | 7/2016 | Gamelli | | D7/300.1 |
| D769,043 S * | 10/2016 | Gamelli | | D7/300.1 |
| D801,111 S * | 10/2017 | Eyal | | D7/392.1 |
| D816,397 S * | 5/2018 | Karl, IV | | D7/392.1 |
| D817,085 S * | 5/2018 | Davis | | D7/392.1 |
| D828,722 S * | 9/2018 | Davis | | D7/510 |
| D831,414 S * | 10/2018 | Diener | | D7/392 |
| D843,778 S * | 3/2019 | Yao | | D7/392.1 |
| D848,786 S * | 5/2019 | Bujalska | | D7/392.1 |
| D858,181 S * | 9/2019 | Lown | | D7/392.1 |
| D862,977 S * | 10/2019 | Bohman | | D7/392 |
| D870,509 S * | 12/2019 | Bo | | D7/392.1 |
| D879,550 S * | 3/2020 | Lane | | D7/392 |
| D894,669 S * | 9/2020 | Lane | | D7/392 |

| | | | | |
|--------------|---------|------------|-------|----------|
| D894,670 S * | 9/2020 | Adams, Jr. | | D7/392.1 |
| D895,352 S * | 9/2020 | Yao | | D7/392.1 |
| D896,572 S * | 9/2020 | Nichols | | D7/392.1 |
| D900,536 S * | 11/2020 | Yao | | D7/392.1 |
| D903,404 S * | 12/2020 | Bram | | D7/392.1 |

OTHER PUBLICATIONS

Walmart. Twist Lids for Hydro Flask Wide Mouth Water Bottle, Replacement Top for 2.2" Wide Mouth Stainless Steel Vacuum Insulated Bottle, BPA-Free Leak Proof. (Lid Only). No date specified. <https://bit.ly/2OpugaZ> (Year: 0).*

Manna. Titan Bottle Collection Replacement Lid. No date specified, <https://mannahydration.com/products/titan-bottle-collection-replacement-lid> (Year: 0).*

* cited by examiner

Primary Examiner — Darcey E Gottschalk

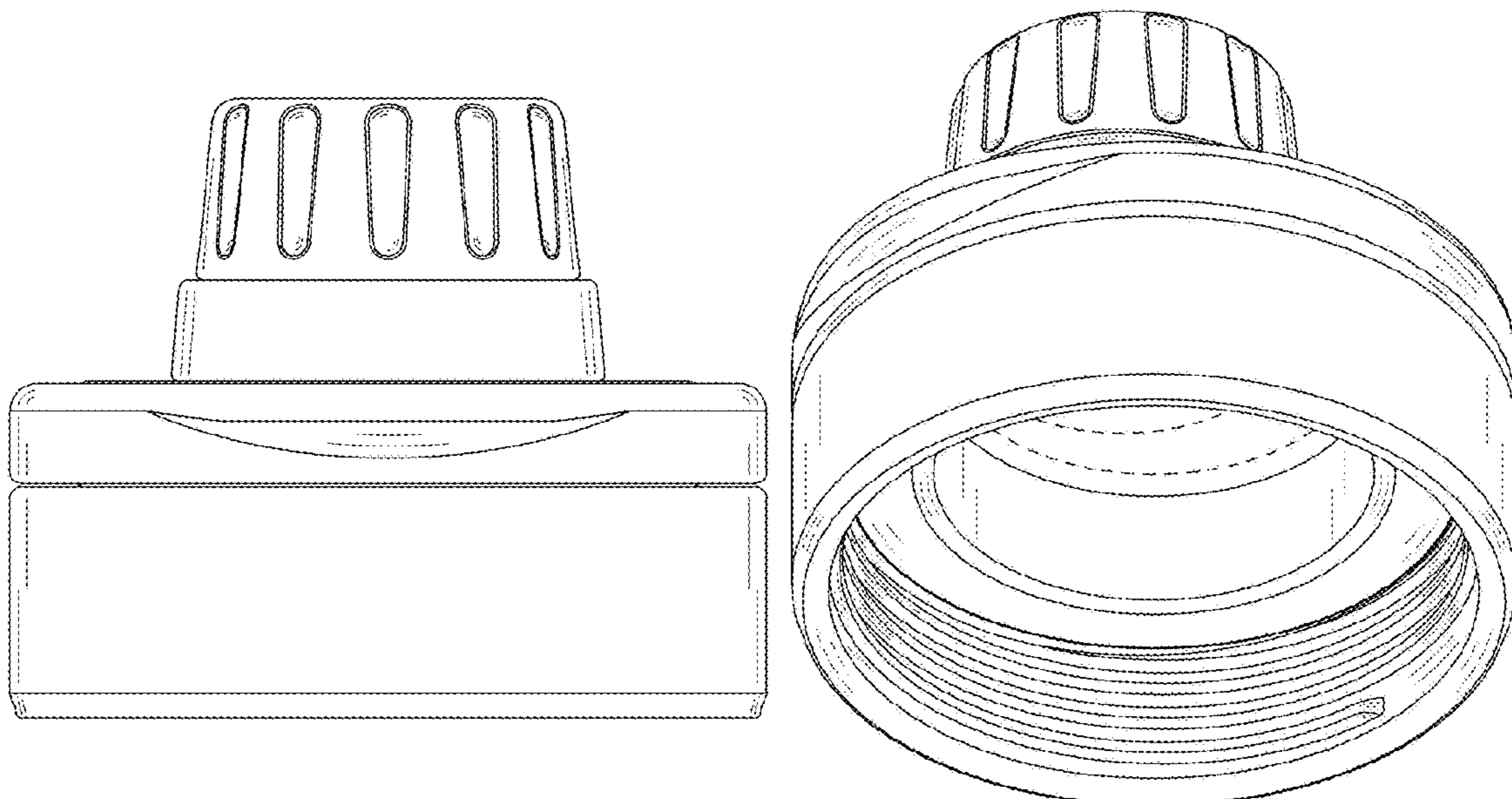
(57) **CLAIM**

The ornamental design for a bottle lid, as shown and described.

DESCRIPTION

FIG. 1 is a front view of a bottle Lid, showing my new design;
FIG. 2 is a back view thereof;
FIG. 3 is a left side view thereof;
FIG. 4 is a right side view thereof;
FIG. 5 is a top view thereof;
FIG. 6 is a bottom view thereof;
FIG. 7 is a perspective view thereof; and,
FIG. 8 is another perspective view thereof.
The broken lines depict portions of the bottle lid that form part of the claim.

1 Claim, 8 Drawing Sheets



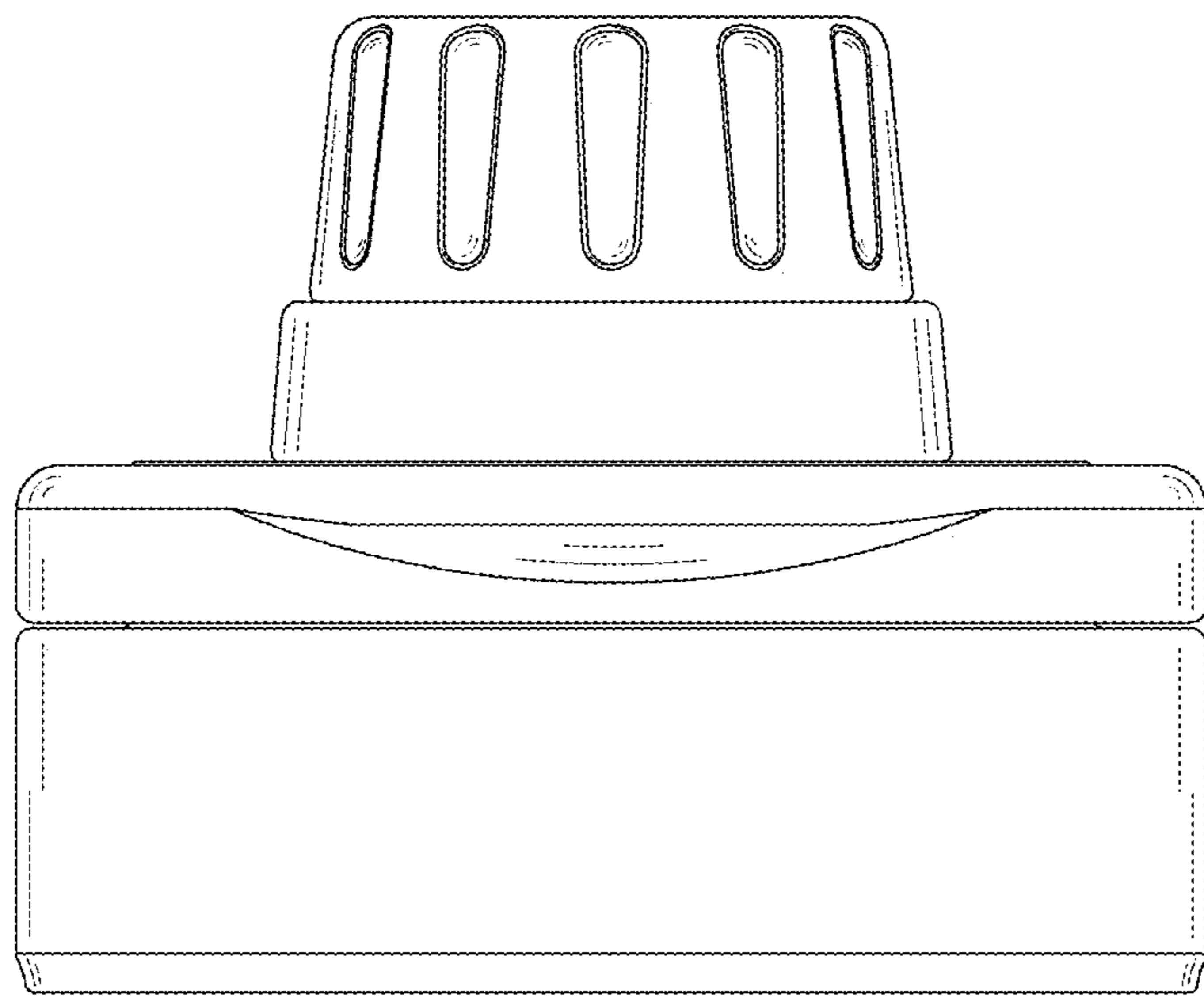


FIG. 1

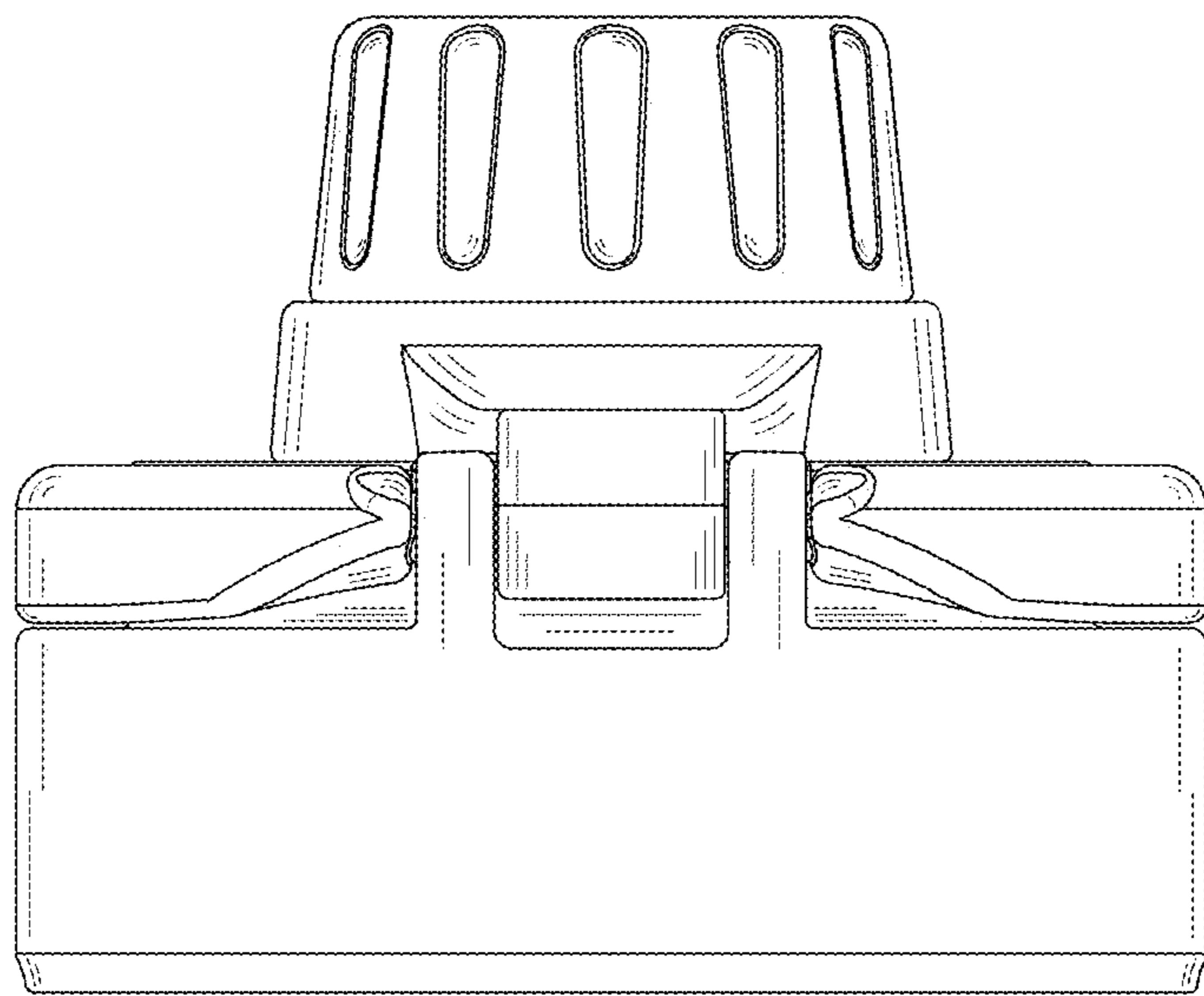


FIG. 2

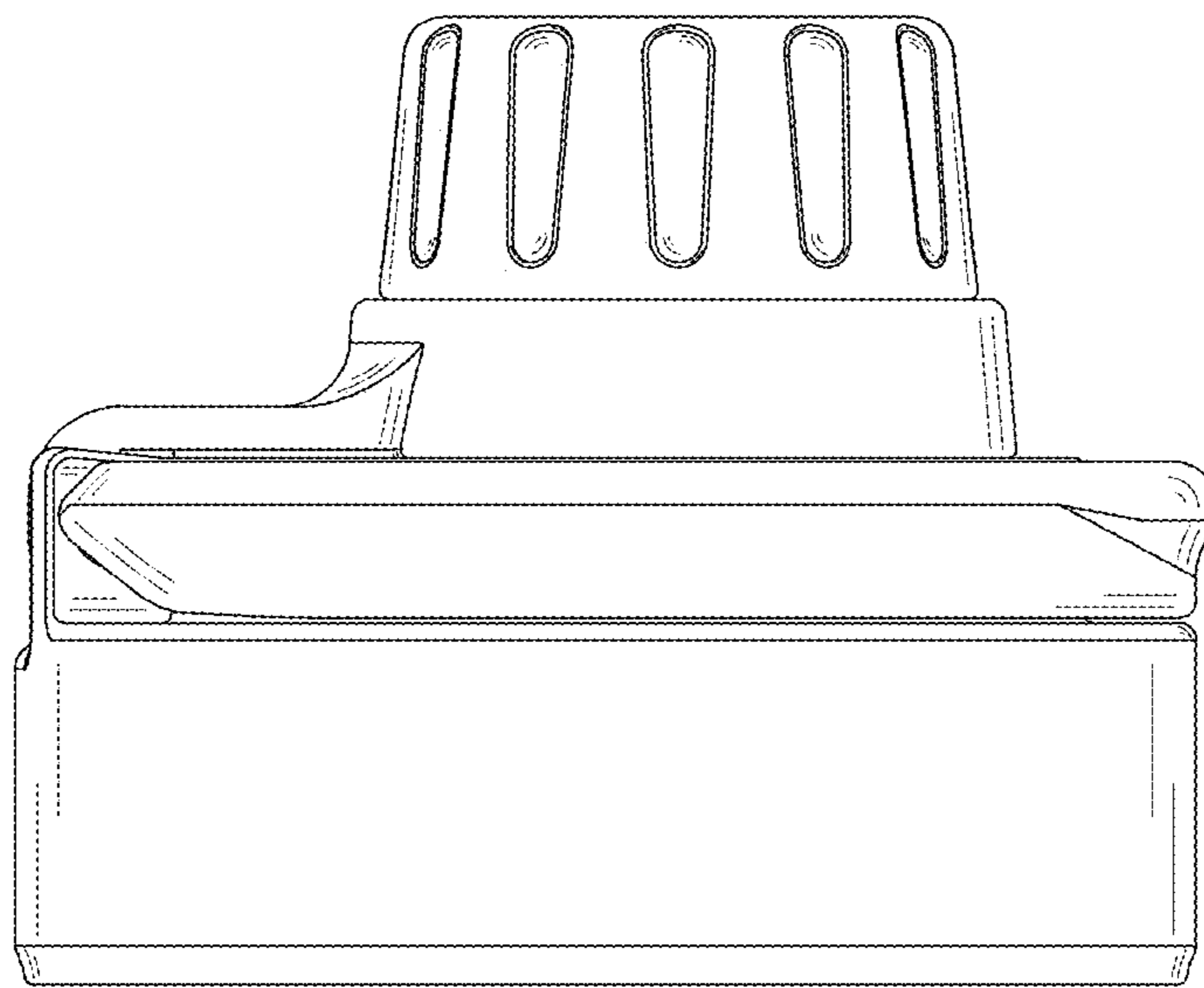


FIG. 3

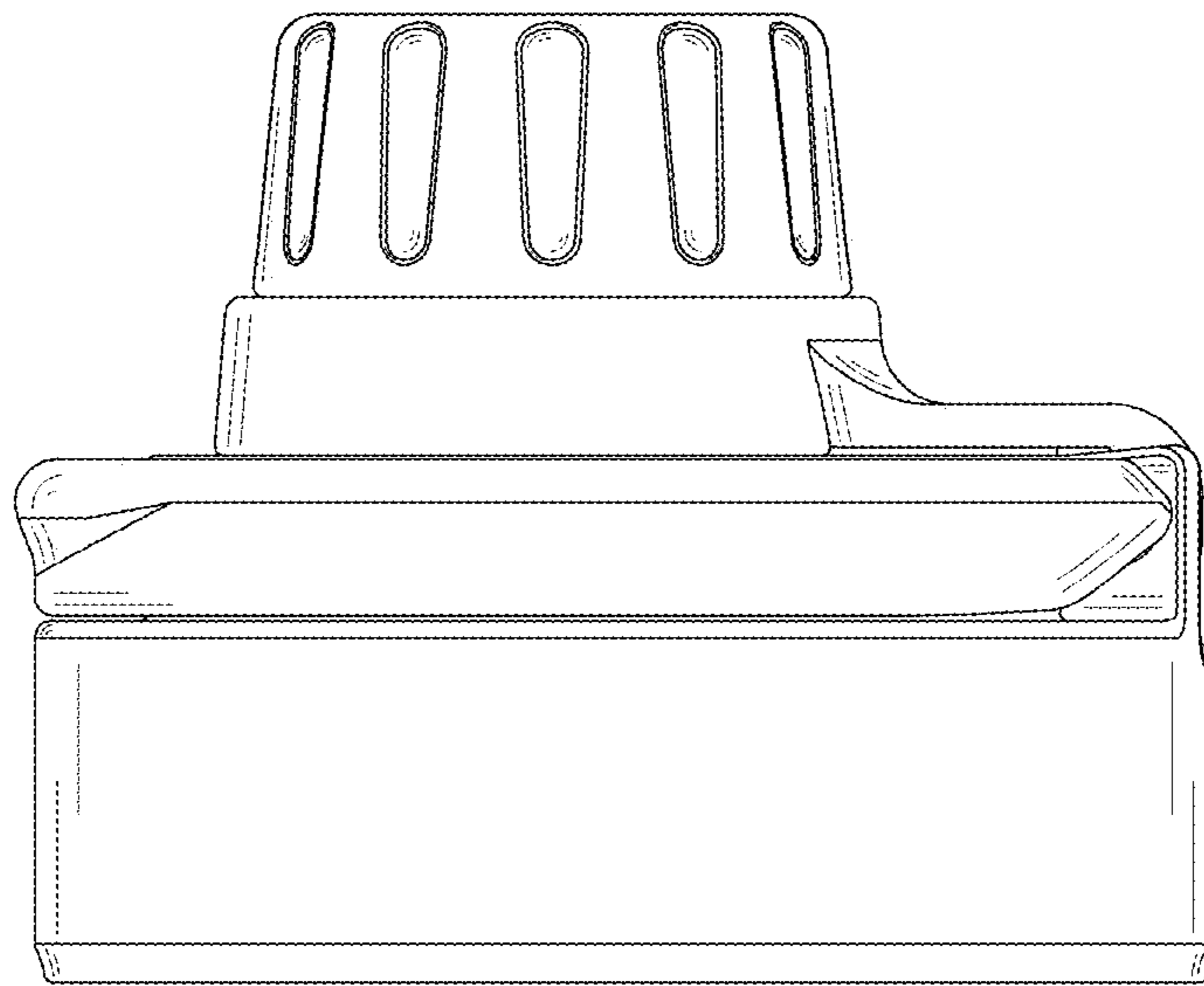


FIG. 4

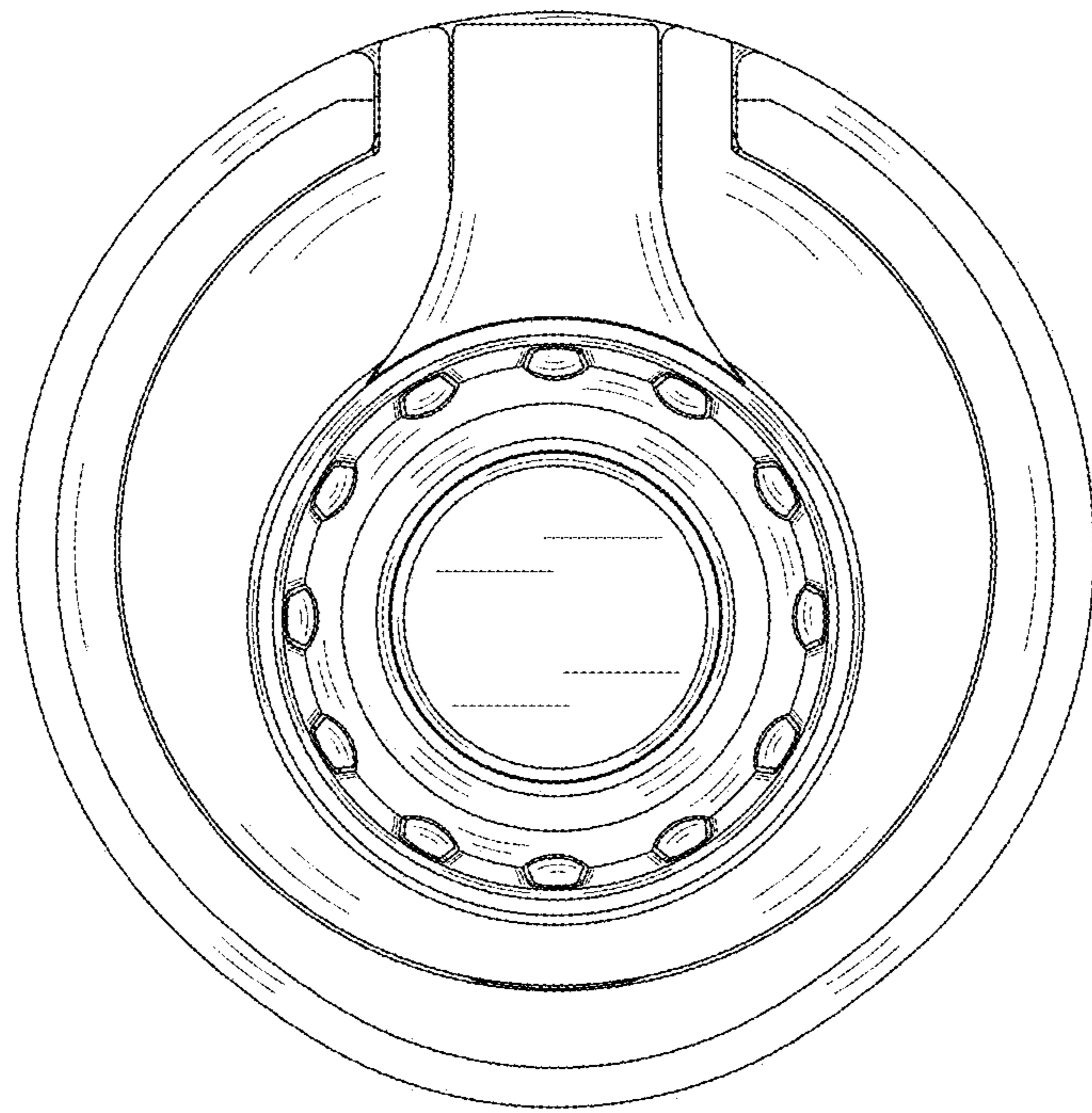


FIG. 5

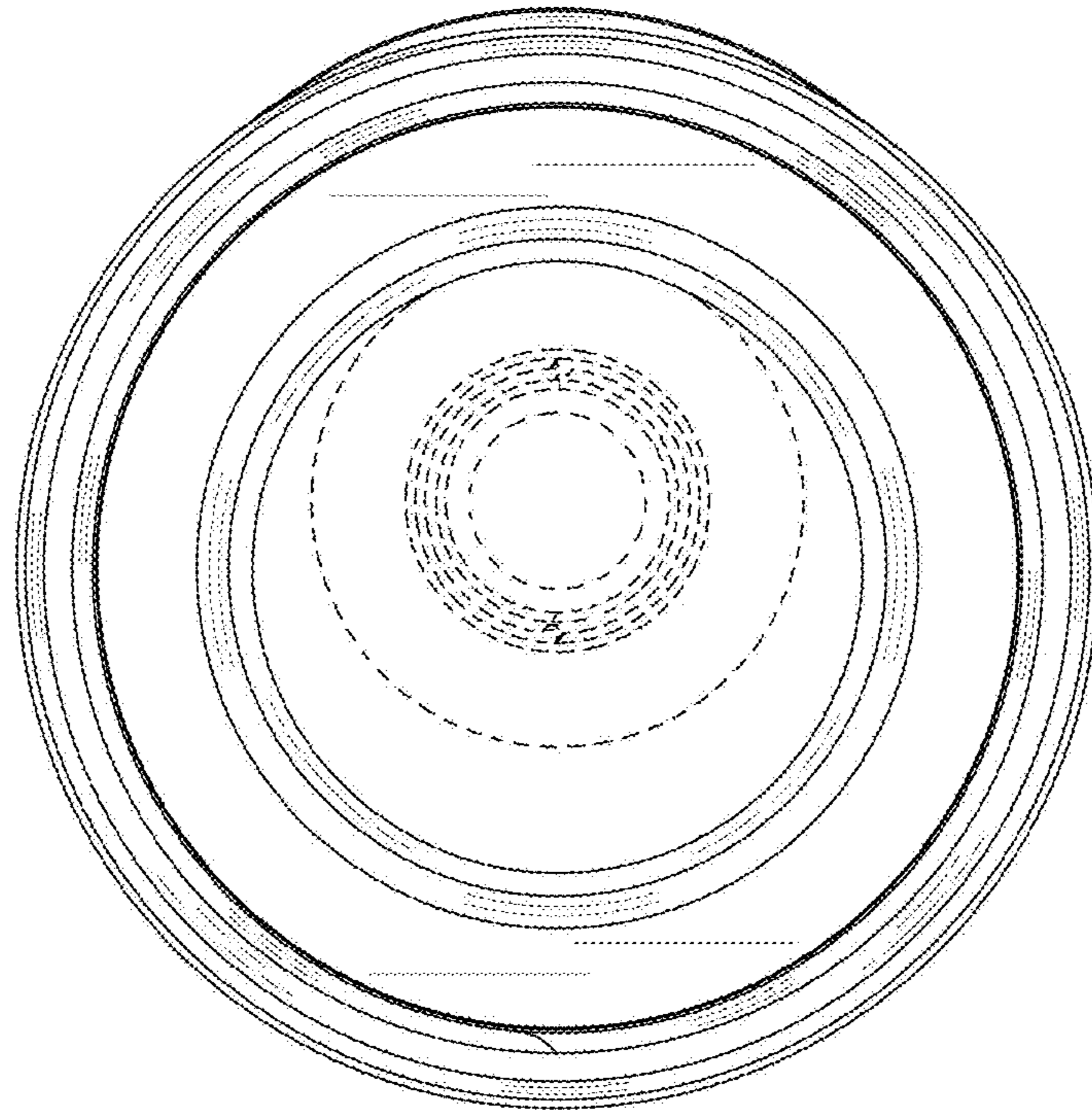


FIG. 6

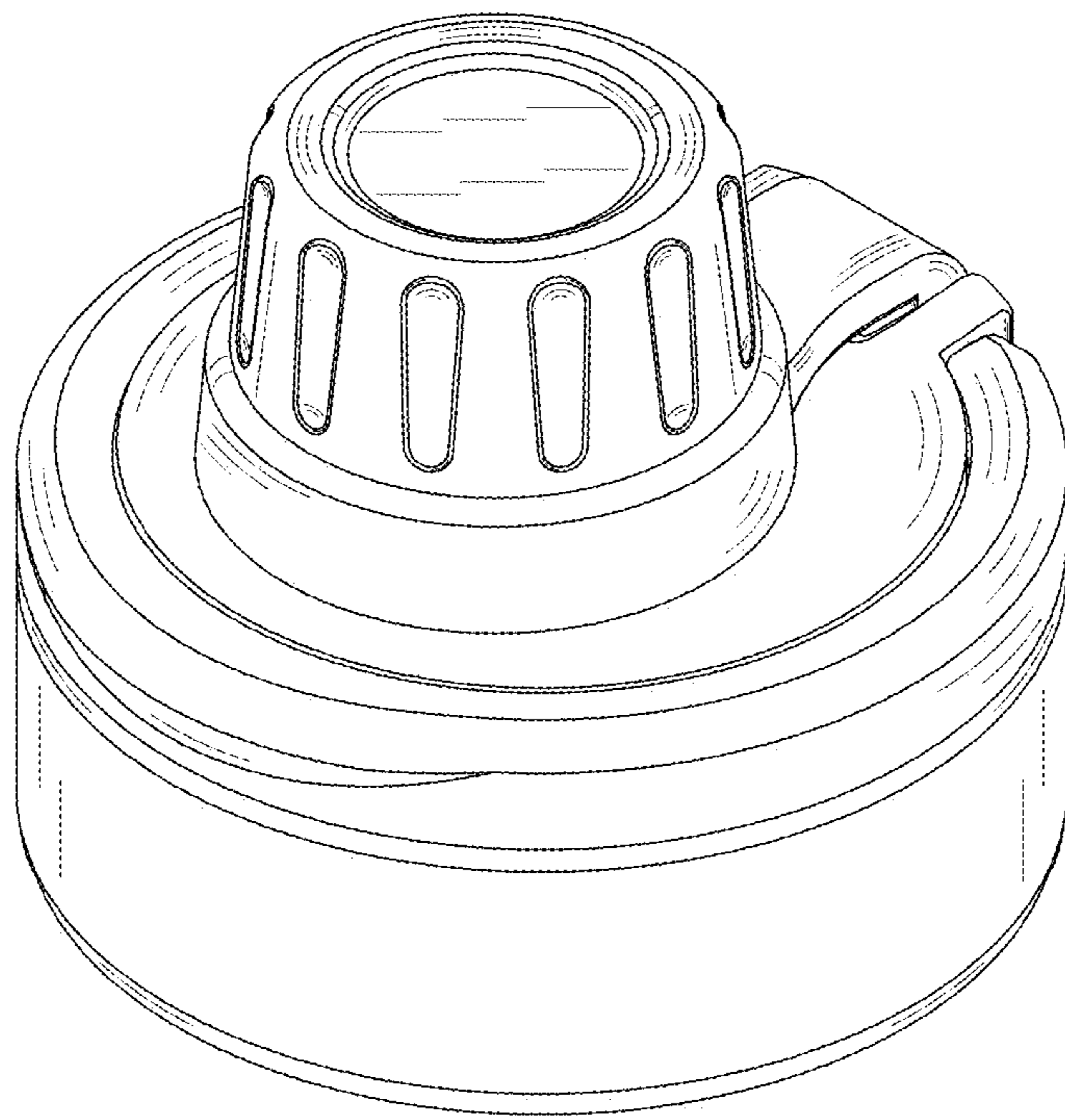


FIG. 7

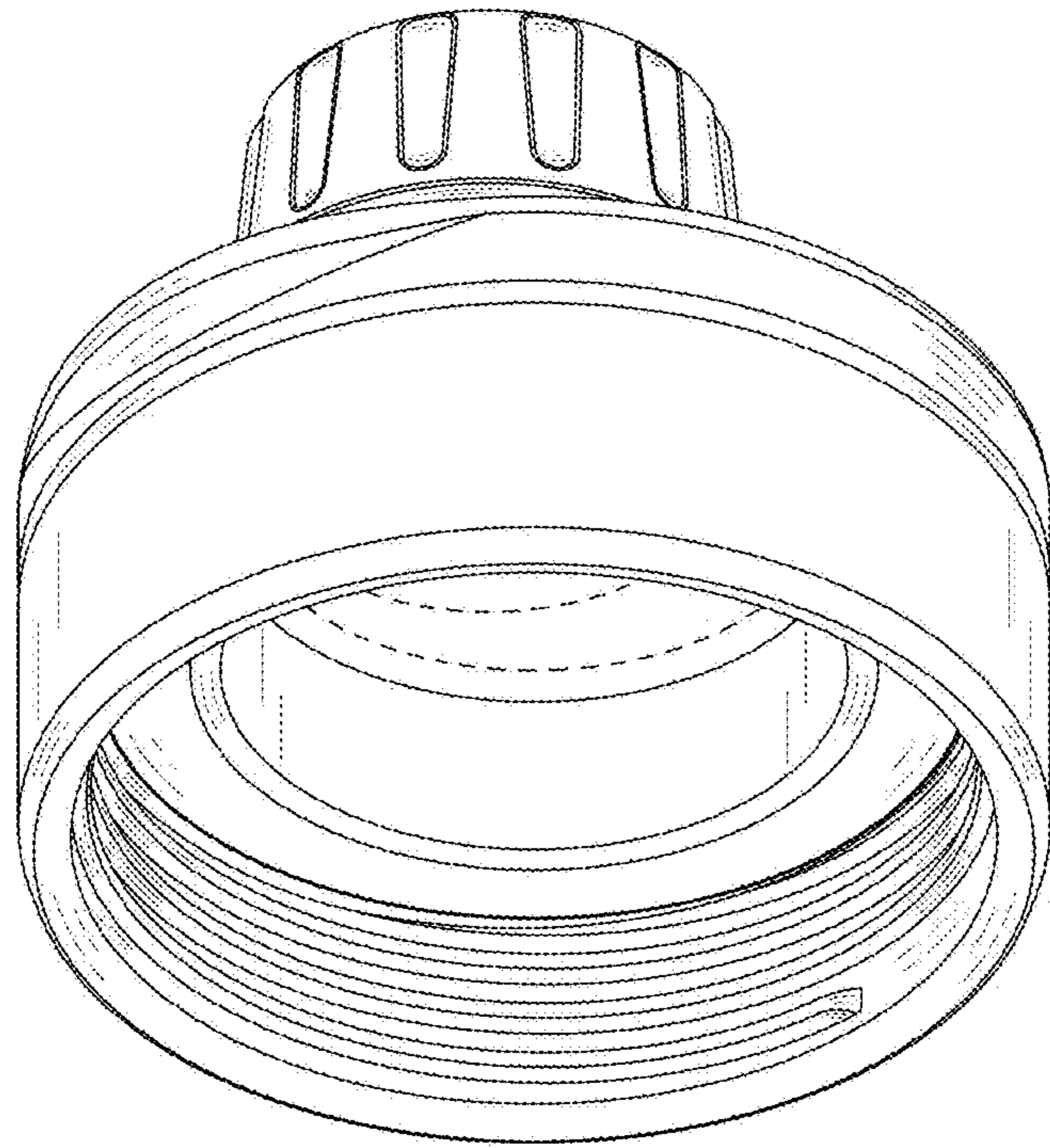


FIG. 8