



US00D944083S

(12) **United States Design Patent** (10) **Patent No.:** **US D944,083 S**
Boggs et al. (45) **Date of Patent:** **** Feb. 22, 2022**

(54) **POUR SPOUT** 3,349,941 A * 10/1967 Wanderer B65D 43/021
220/23.88

(71) Applicant: **Palmetto Distilleries, LLC**, Anderson, SC (US) 3,473,701 A 10/1969 Bates
D241,125 S 8/1976 Knapp
D249,023 S * 8/1978 Ames D9/440
4,454,962 A 6/1984 Greenspan
5,143,248 A * 9/1992 Sawatsky B65D 47/265
220/253

(72) Inventors: **Bryan P. Boggs**, Anderson, SC (US);
A. H. Trey Boggs, III, Anderson, SC (US) 5,820,016 A * 10/1998 Stropkay B65D 1/265
229/403

(73) Assignee: **Palmetto Distilleries, LLC**, Anderson, SC (US) 5,868,323 A 2/1999 Cantor
D415,651 S * 10/1999 Trombly D7/392
D488,376 S * 4/2004 Chung D9/435
D525,826 S * 8/2006 Kugler D7/396.2
D550,507 S 9/2007 Picozza et al.
D570,213 S * 6/2008 Newman D9/447

(**) Term: **15 Years** (Continued)

(21) Appl. No.: **29/644,009**

(22) Filed: **Apr. 13, 2018**

(51) **LOC (13) Cl.** **09-07**

(52) **U.S. Cl.**
USPC **D9/440; D7/396.2; D7/392.1**

(58) **Field of Classification Search**
USPC D9/434, 435, 439, 440, 442-450,
D9/452-457, 499, 503-505, 682, 685,
D9/686; D7/387, 391, 392, 392.1, 396.1,
D7/396.2, 507, 509-511, 538, 900;
D3/202, 203.2, 294, 318; D28/91, 91.1
CPC .. A61J 1/00; A61J 1/1412; B65D 1/00; B65D
1/02; B65D 1/10; B65D 1/46; B65D
5/46; B65D 41/00; B65D 41/38; B65D
41/56; B65D 41/62; B65D 47/00; B65D
47/06; B65D 47/08; B65D 2251/00;
B65D 2543/00046; B65D 2543/00092;
B65D 2543/00296

See application file for complete search history.

(56) **References Cited**

U.S. PATENT DOCUMENTS

2,543,470 A 2/1951 Ryan
3,311,275 A 3/1967 Gibson

OTHER PUBLICATIONS

<https://www.jarware.com>, 7 pages, Jul. 25, 2018.
(Continued)

Primary Examiner — Wendy L Arminio
(74) Attorney, Agent, or Firm — Breiner & Breiner, L.L.C.

(57) **CLAIM**

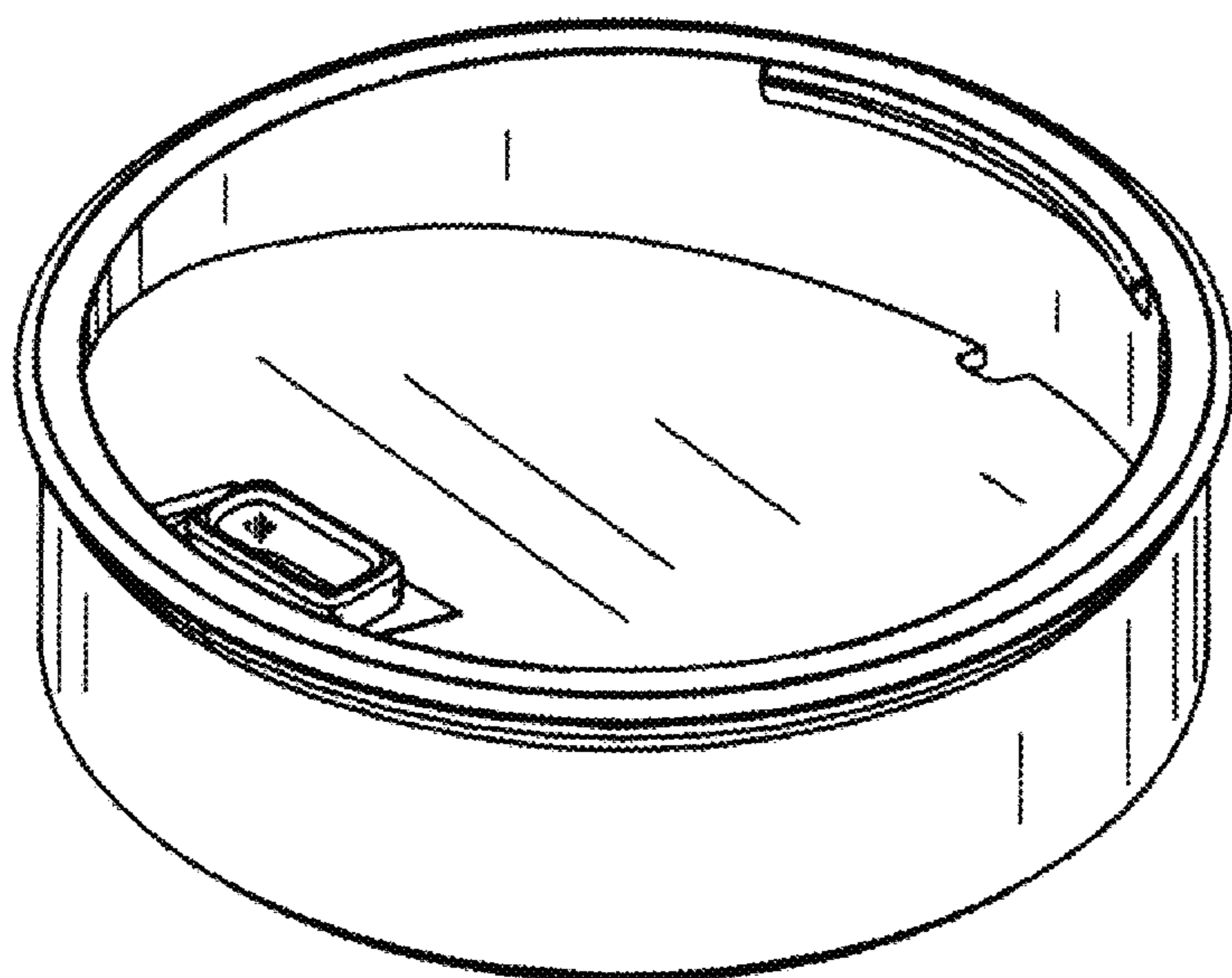
The ornamental design for a pour spout, as shown and described.

DESCRIPTION

FIG. 1 is a front and side perspective view of a pour spout. FIG. 2 is a top view of the pour spout of FIG. 1; FIG. 3 is a bottom view of the pour spout of FIG. 1; FIG. 4 is a first side view of the pour spout of FIG. 1; FIG. 5 is a second side view of the pour spout of FIG. 1; and, FIG. 6 is a perspective view of the pour spout of FIG. 1 in an environment of use.

The broken lines in FIG. 6 illustrating a container and lid depict environment and form no part of the claimed design.

1 Claim, 4 Drawing Sheets



(56)

References Cited

U.S. PATENT DOCUMENTS

D608,499 S * 1/2010 Hodgson D9/454
 D623,943 S * 9/2010 Weld D9/454
 D631,284 S * 1/2011 Fuller D7/392.1
 8,157,435 B2 4/2012 Pryor, Jr.
 8,245,891 B2 8/2012 Eriksen
 D717,103 S 11/2014 Wilbur
 9,215,953 B2 12/2015 Prum et al.
 D747,624 S 1/2016 Walker
 D752,978 S * 4/2016 Zabeleta D9/454
 D786,673 S * 5/2017 Moffat D9/447
 D793,861 S * 8/2017 Siegel D9/439
 D795,007 S * 8/2017 Plassmeyer D7/392.1
 D828,158 S * 9/2018 Manis D9/454
 D843,211 S * 3/2019 Ghorbani D9/443
 D845,064 S * 4/2019 Mulhauser D7/392.1
 D880,231 S * 4/2020 Edlund Tjernberg D7/396.2
 2003/0209511 A1 11/2003 Guyot
 2003/0209512 A1 11/2003 Guyot
 2010/0252555 A1 * 10/2010 Syed B65D 3/06
 220/212

2010/0288768 A1 * 11/2010 Booth B65D 47/32
 220/213
 2010/0288827 A1 * 11/2010 Booth B65D 21/022
 229/404
 2012/0181307 A1 7/2012 Grosser
 2013/0233898 A1 9/2013 Resnikoff et al.
 2014/0072669 A1 3/2014 Brown, III
 2015/0230639 A1 8/2015 Palmer
 2015/0274384 A1 * 10/2015 Goldstein B65D 47/32
 222/1
 2017/0022357 A1 1/2017 Sokoly
 2019/0315532 A1 * 10/2019 Boggs B65D 43/0214
 2019/0352059 A1 * 11/2019 Mutch A47G 19/2272
 2020/0352369 A1 * 11/2020 Batie B65D 47/06

OTHER PUBLICATIONS

<http://foodinjars.com/tag/mason-jar-mug>, 7 pages, Jul. 25, 2018.
<https://www.freshpreserving.com/lids-bands-caps>, 4 pages, Jul. 25, 2018.

* cited by examiner

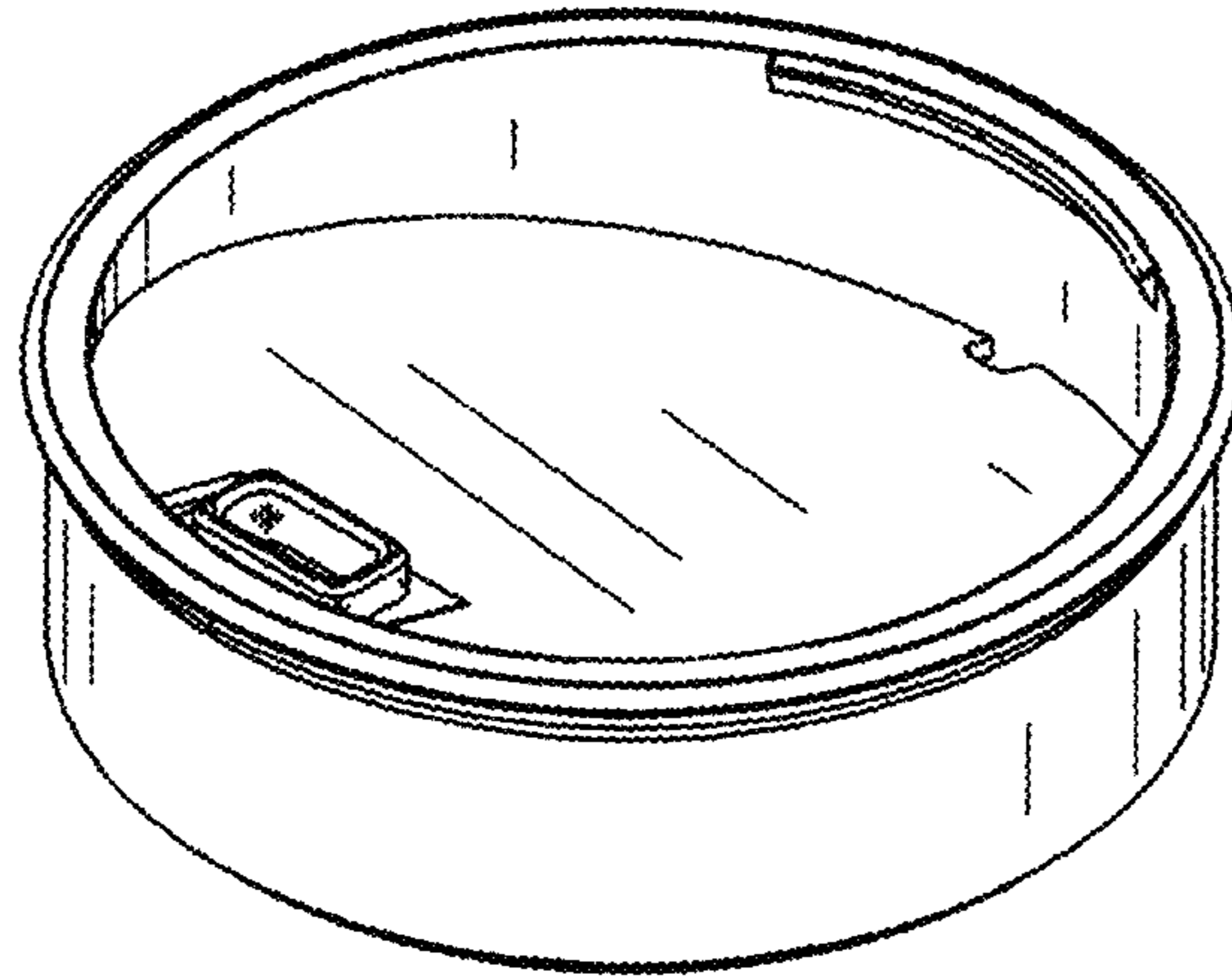


FIG. 1

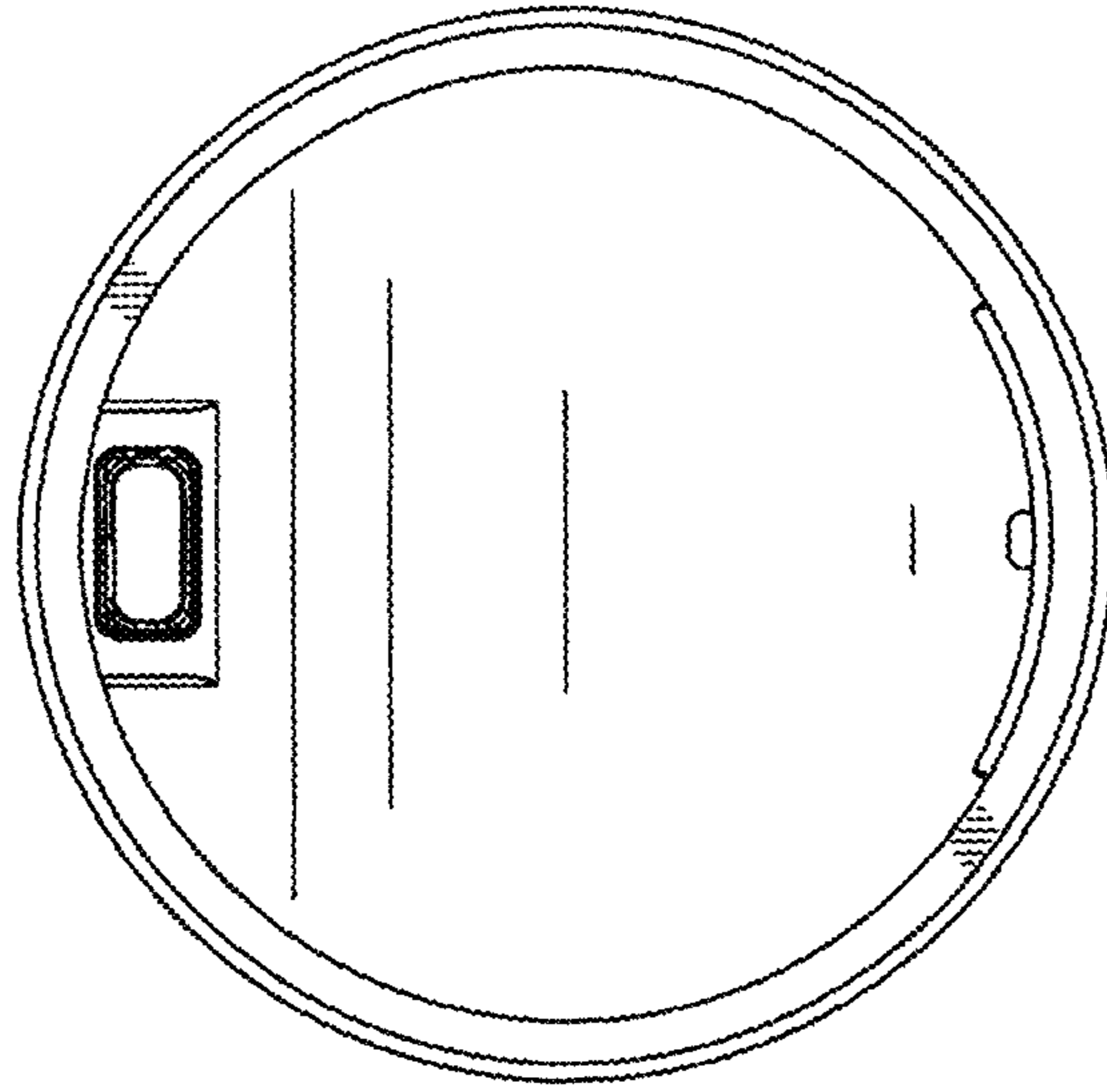


FIG. 2

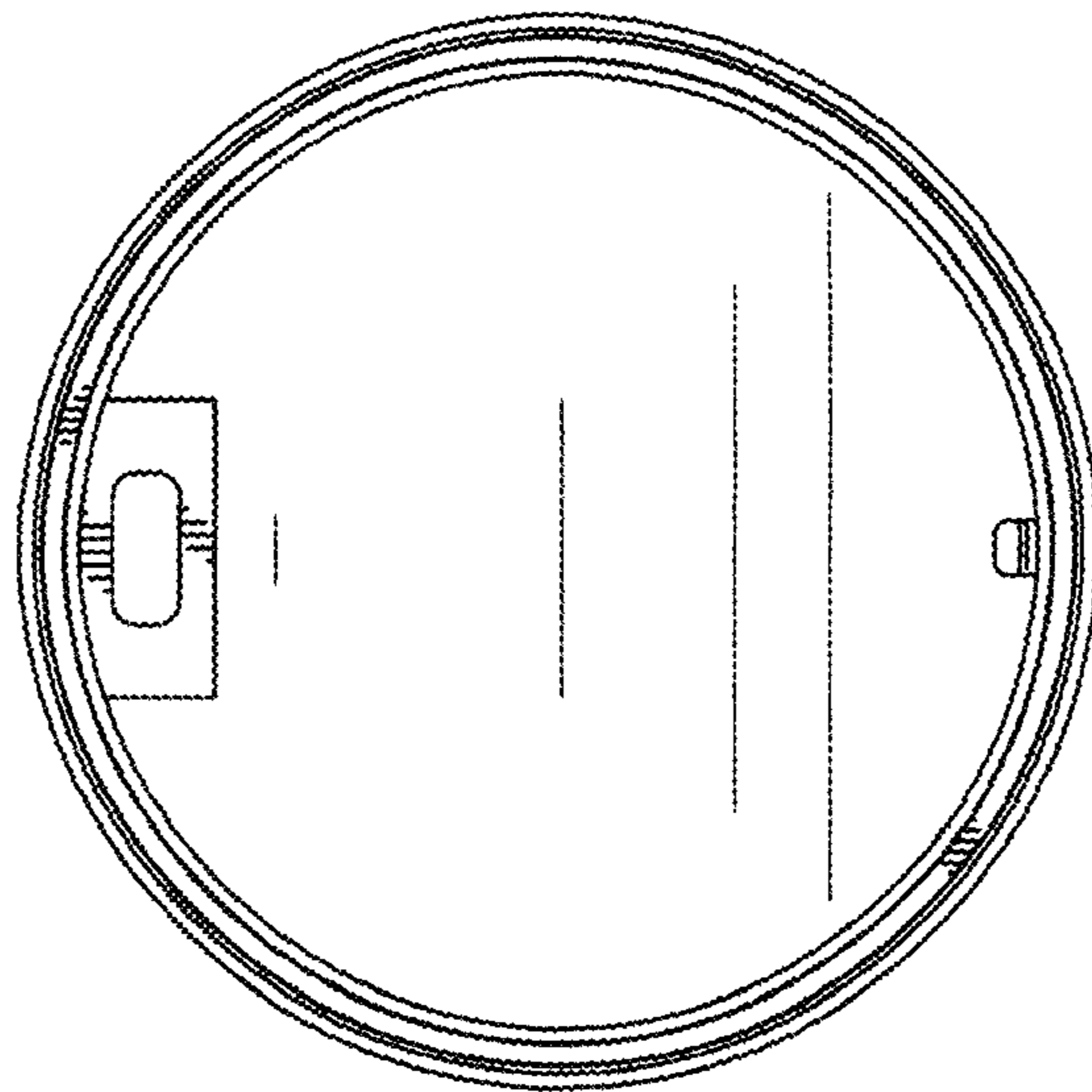


FIG. 3

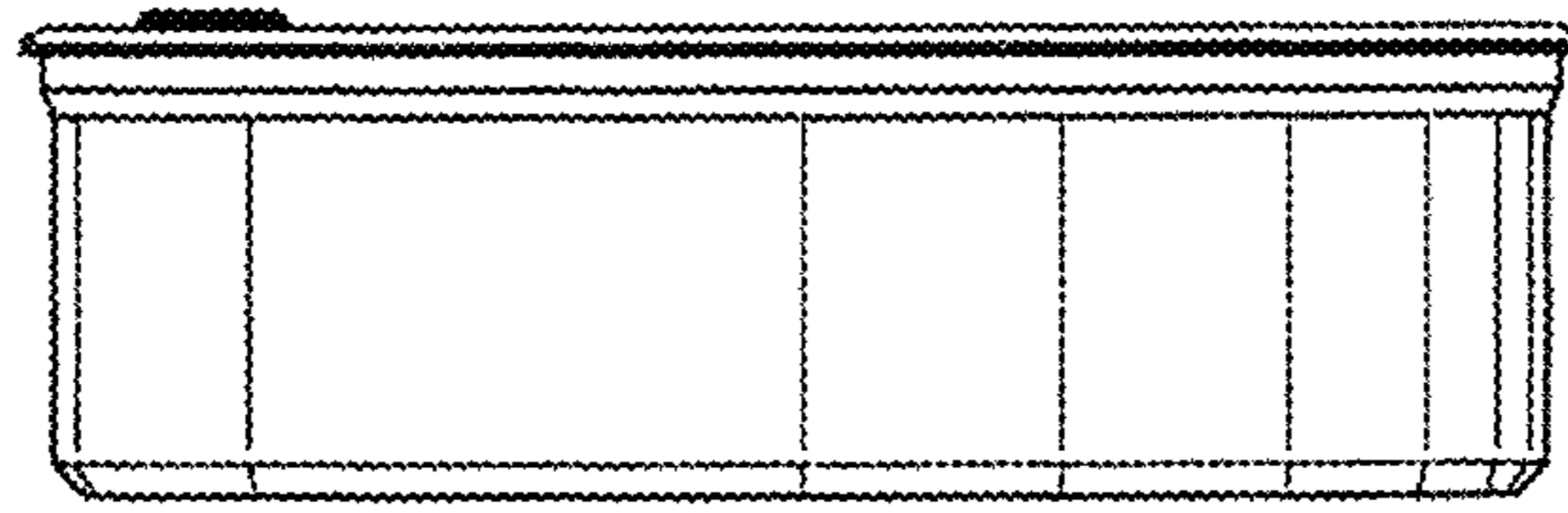


FIG. 4

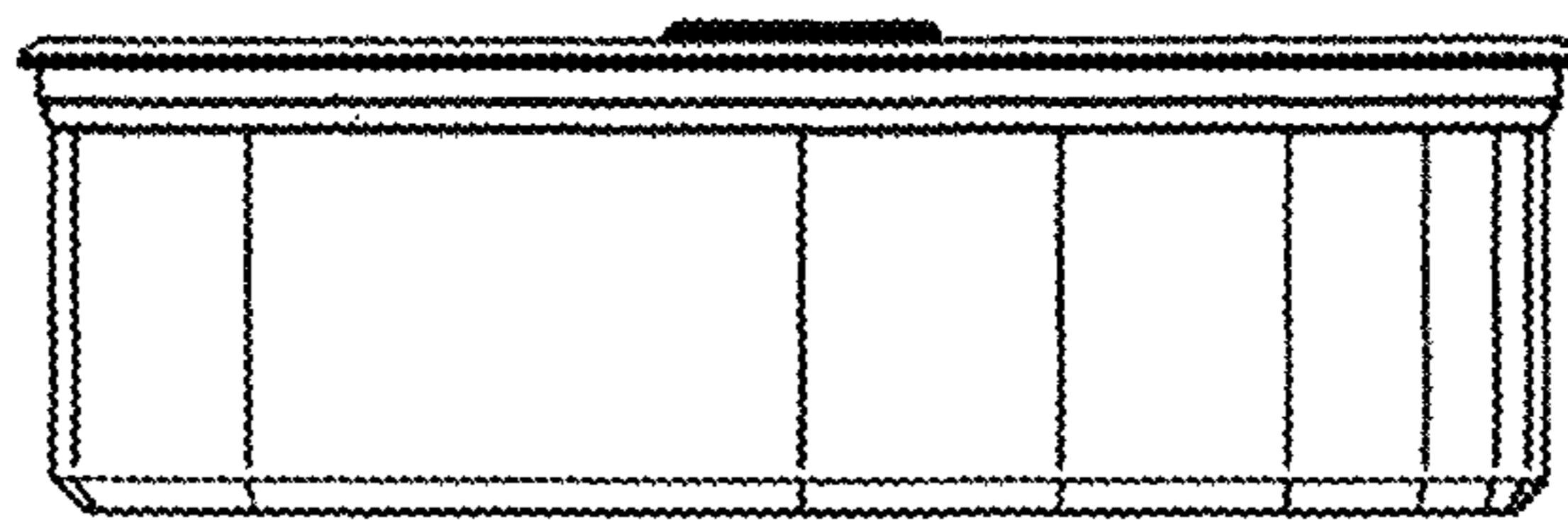


FIG. 5

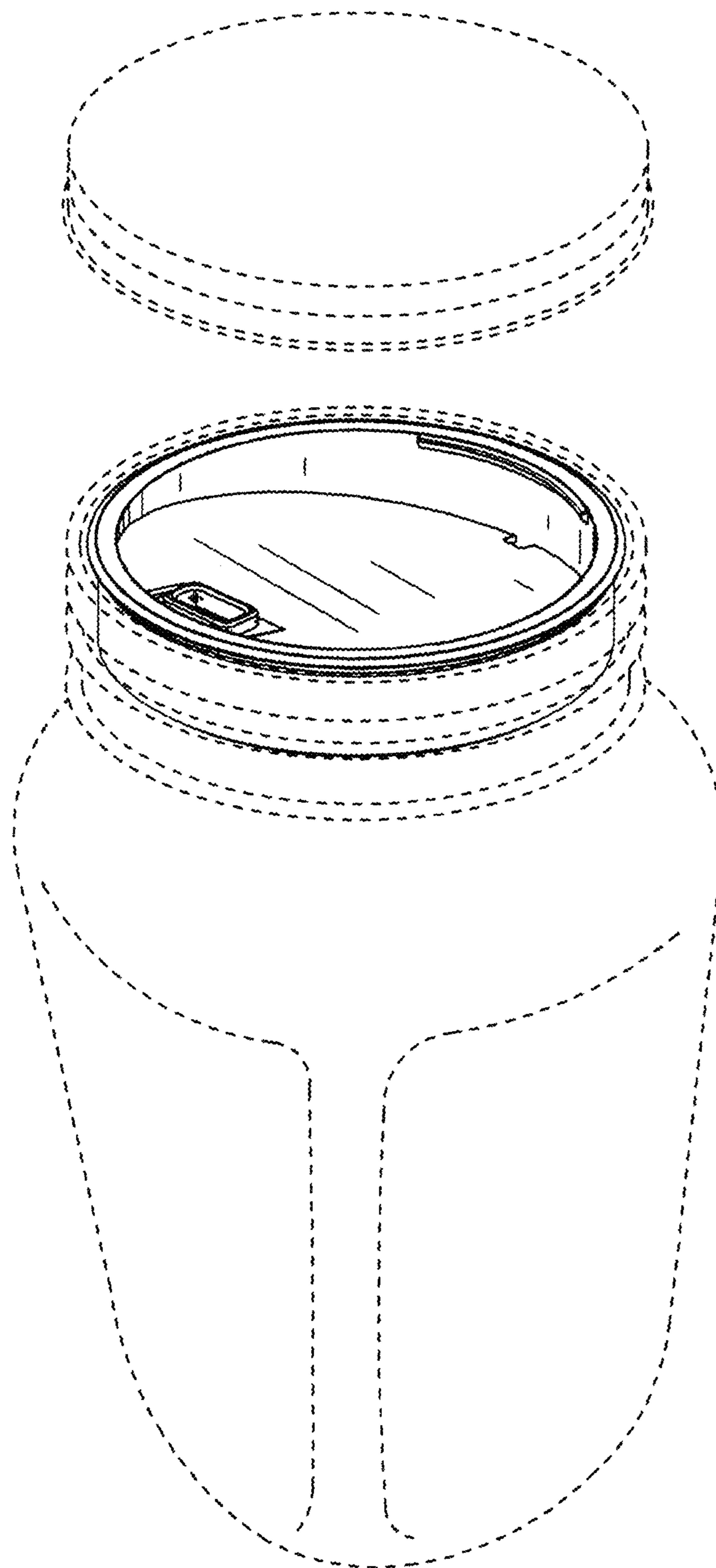


FIG. 6